



US00D625771S

(12) **United States Design Patent**
Kojima

(10) **Patent No.:** **US D625,771 S**

(45) **Date of Patent:** **** *Oct. 19, 2010**

(54) **MOTIONLESS MIXER**

(75) Inventor: **Hisao Kojima**, Yokohama (JP)

(73) Assignee: **Anemos Company Ltd.**, Tokyo (JP)

(**) Term: **14 Years**

(21) Appl. No.: **29/353,550**

(22) Filed: **Jan. 11, 2010**

Related U.S. Application Data

(63) Continuation of application No. 29/295,013, filed on Sep. 20, 2007, now abandoned.

(30) **Foreign Application Priority Data**

Apr. 3, 2007 (JP) D2007-011792

(51) **LOC (9) Cl.** **08-01**

(52) **U.S. Cl.** **D23/200**

(58) **Field of Classification Search** D15/138,

D15/139, 140, 199; D23/200, 207, 233,

D23/266, 263; 48/189.4; 138/37, 39, 42,

138/115; 252/359; 366/183, 336-340

See application file for complete search history.

(56) **References Cited**

U.S. PATENT DOCUMENTS

4,183,682 A	1/1980	Lieffers	
4,433,739 A	2/1984	Sarin	
4,466,741 A	8/1984	Kojima	
4,643,584 A	2/1987	Allocca	
D289,405 S	4/1987	Nystrom	
D293,798 S	1/1988	Johnson	
4,747,697 A	5/1988	Kojima	
D296,559 S	7/1988	Drabinski	
D365,113 S	12/1995	Ronan	
D367,916 S	3/1996	Thomas et al.	
5,758,967 A *	6/1998	King	366/337
6,164,813 A	12/2000	Wang	
D450,814 S	11/2001	Aldred et al.	
D508,061 S	8/2005	Kotala	
7,169,292 B2	1/2007	Chae et al.	

7,484,881 B2	2/2009	Schulz-Hanke et al.	
D607,083 S *	12/2009	Kojima	D23/200
2004/0008576 A1 *	1/2004	Henning	366/337
2005/0039809 A1	2/2005	Speldrich	

(Continued)

FOREIGN PATENT DOCUMENTS

JP 10-85721 A 4/1998

(Continued)

OTHER PUBLICATIONS

S. Hagiwara et al., "Motionless Mixer—Basis & Application", NDC 571.3, Sep. 30, 1981, pp. 1-7, The Nikkan Kogyo Shimbun Ltd., Tokyo, Japan (Sep. 30, 1981).

Primary Examiner—Sandra Snapp

Assistant Examiner—Patricia Palasik

(74) *Attorney, Agent, or Firm*—Ditthavong Mori & Steiner, P.C.

(57) **CLAIM**

The ornamental design for a motionless mixer, as shown and described.

DESCRIPTION

FIG. 1 is a front side elevational view of a motionless mixer showing my new design;

FIG. 2 is a rear side elevational view thereof;

FIG. 3 is a left side elevational view thereof;

FIG. 4 is a right side elevational view thereof;

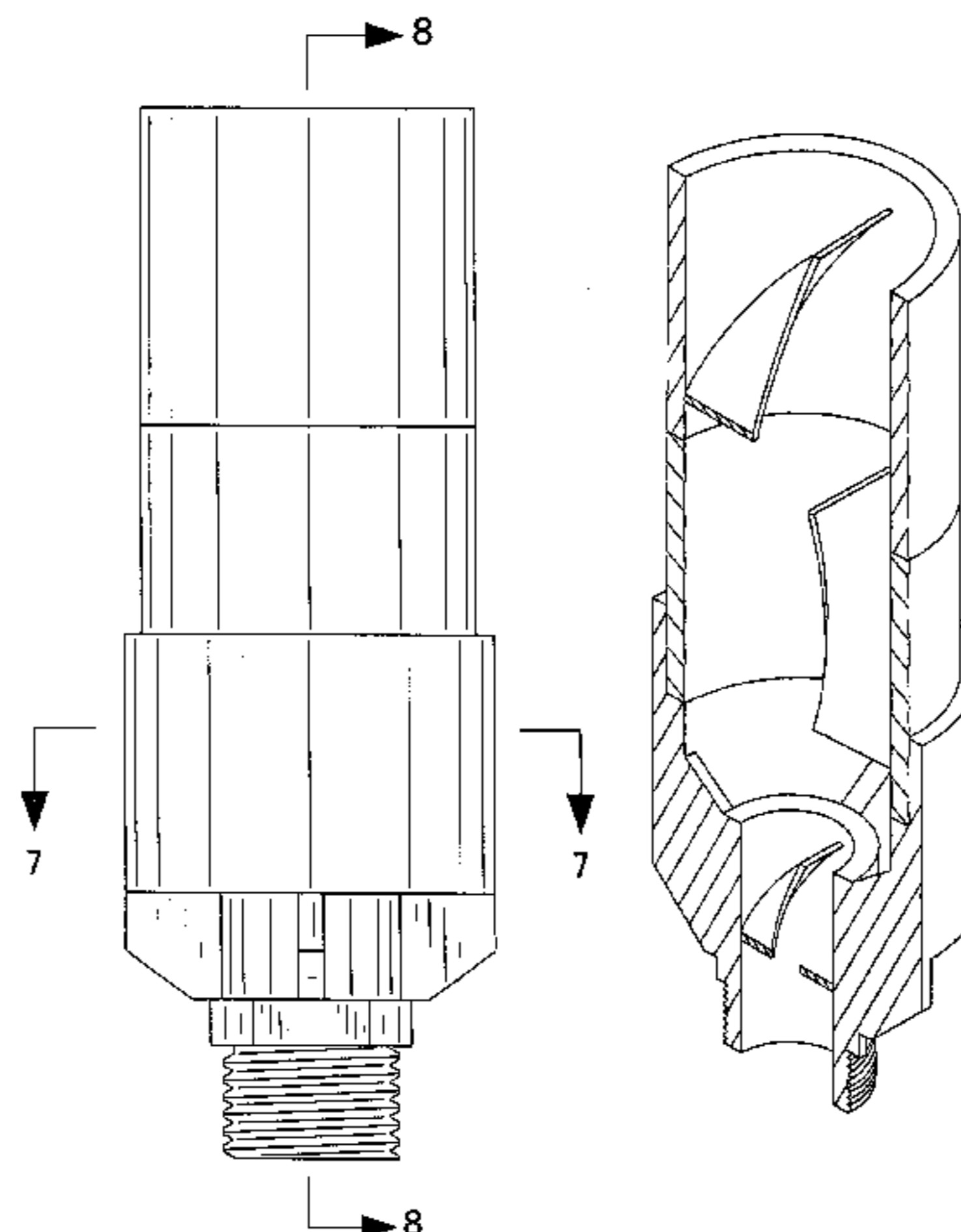
FIG. 5 is a top plan view thereof;

FIG. 6 is a bottom plan view thereof.

FIG. 7 is a reference cross-sectional perspective view of the motionless mixer shown in FIGS. 1-6, taken along a line 7—7 of FIG. 1; and,

FIG. 8 is a reference cross-sectional perspective view thereof, taken along a line 8—8 of FIG. 1.

1 Claim, 8 Drawing Sheets



US D625,771 S

Page 2

U.S. PATENT DOCUMENTS

2005/0219947	A1 *	10/2005	Carlson	366/337	JP	2001-62269	A	3/2001
2008/0056064	A1	3/2008	Tanaka		JP	2003-181256	A	7/2003
2008/0232191	A1	9/2008	Keller		JP	2005-219036	A	8/2005
2009/0122638	A1	5/2009	Sato et al.		WO	WO 00/24502	A1	5/2000

FOREIGN PATENT DOCUMENTS

JP 2001-50425 A 2/2001

* cited by examiner

Fig.1

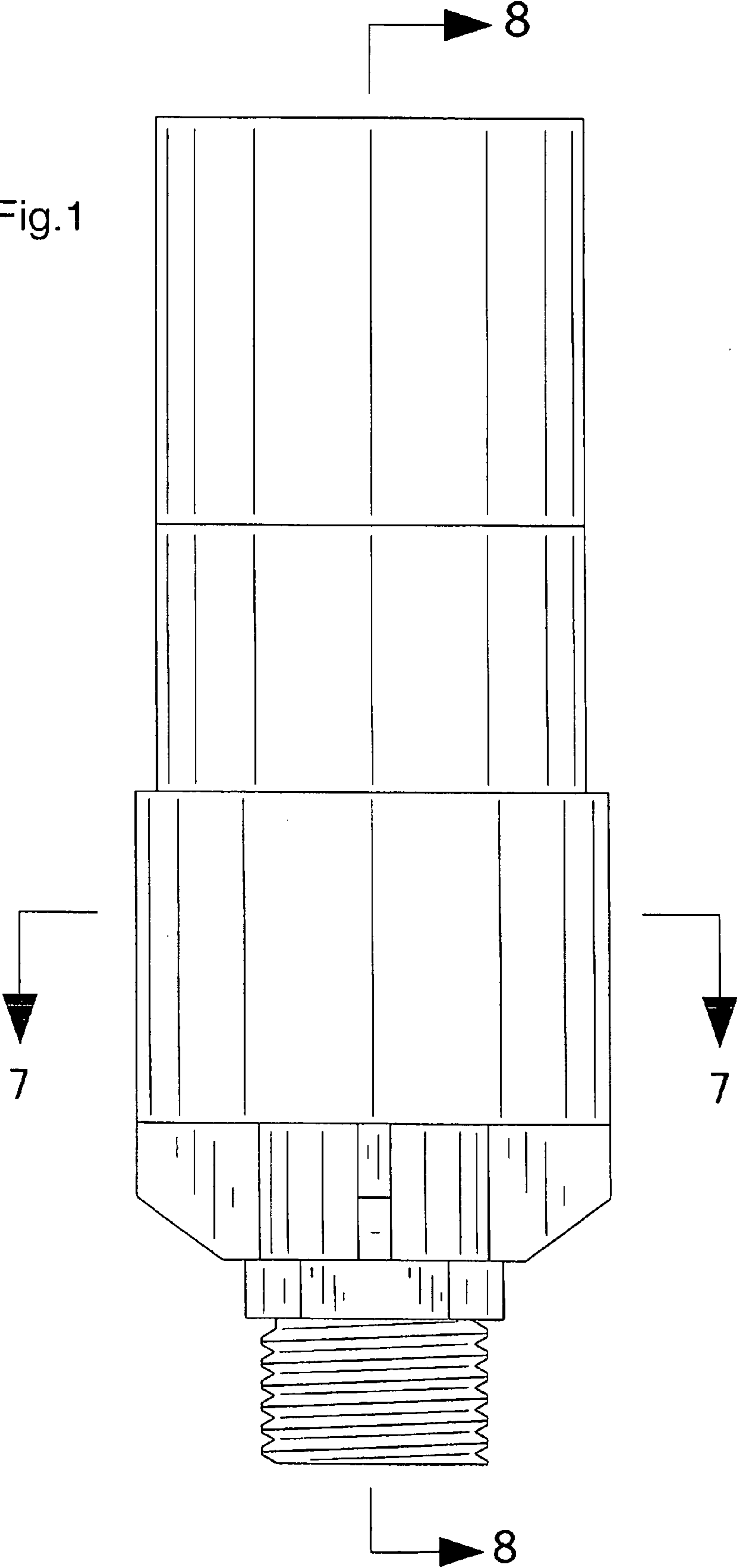


Fig.2

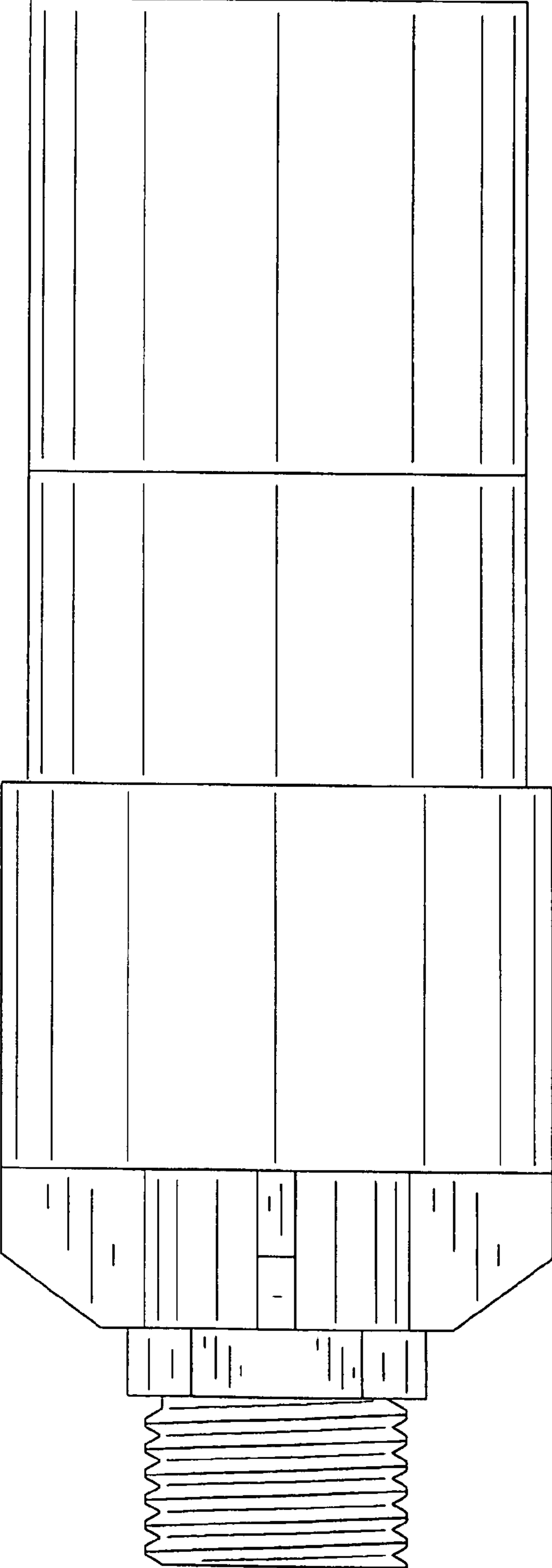


Fig.3

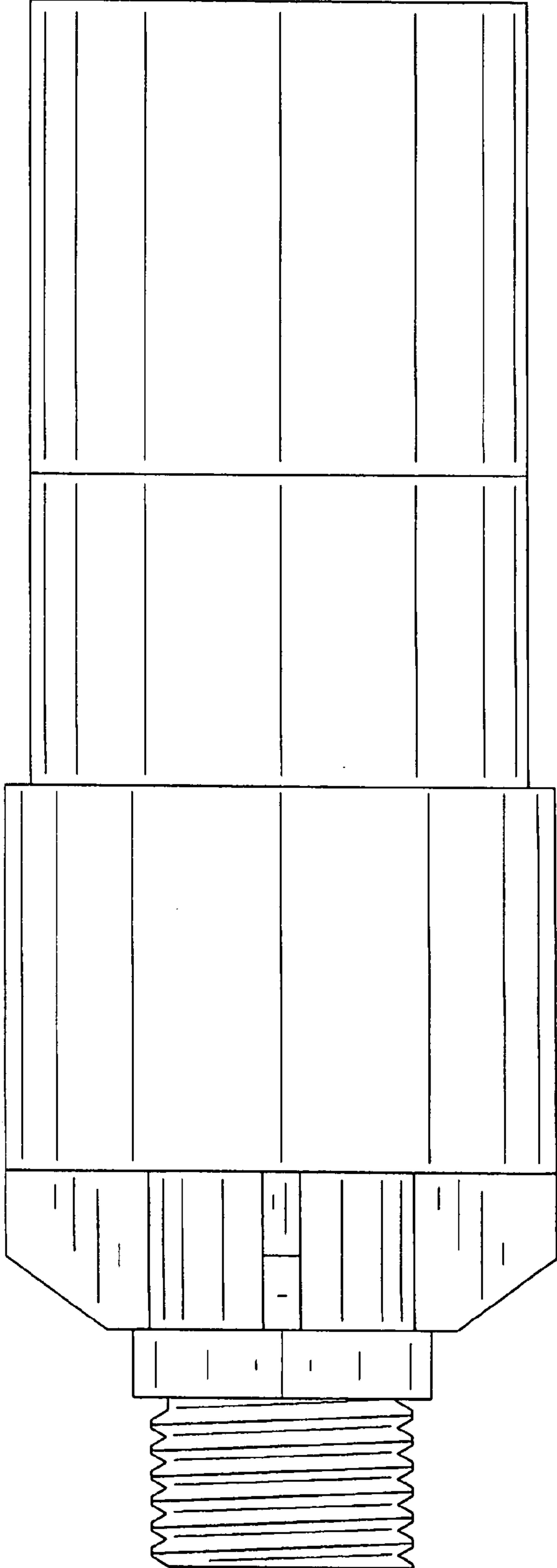


Fig.4

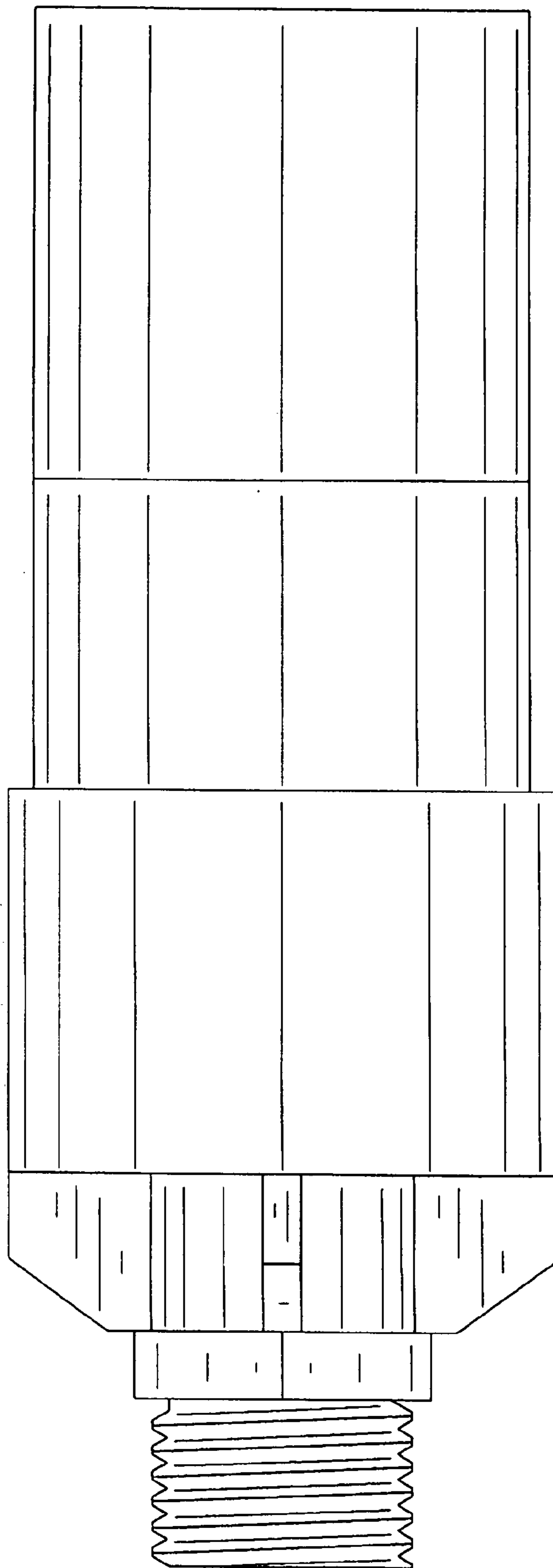


Fig.5

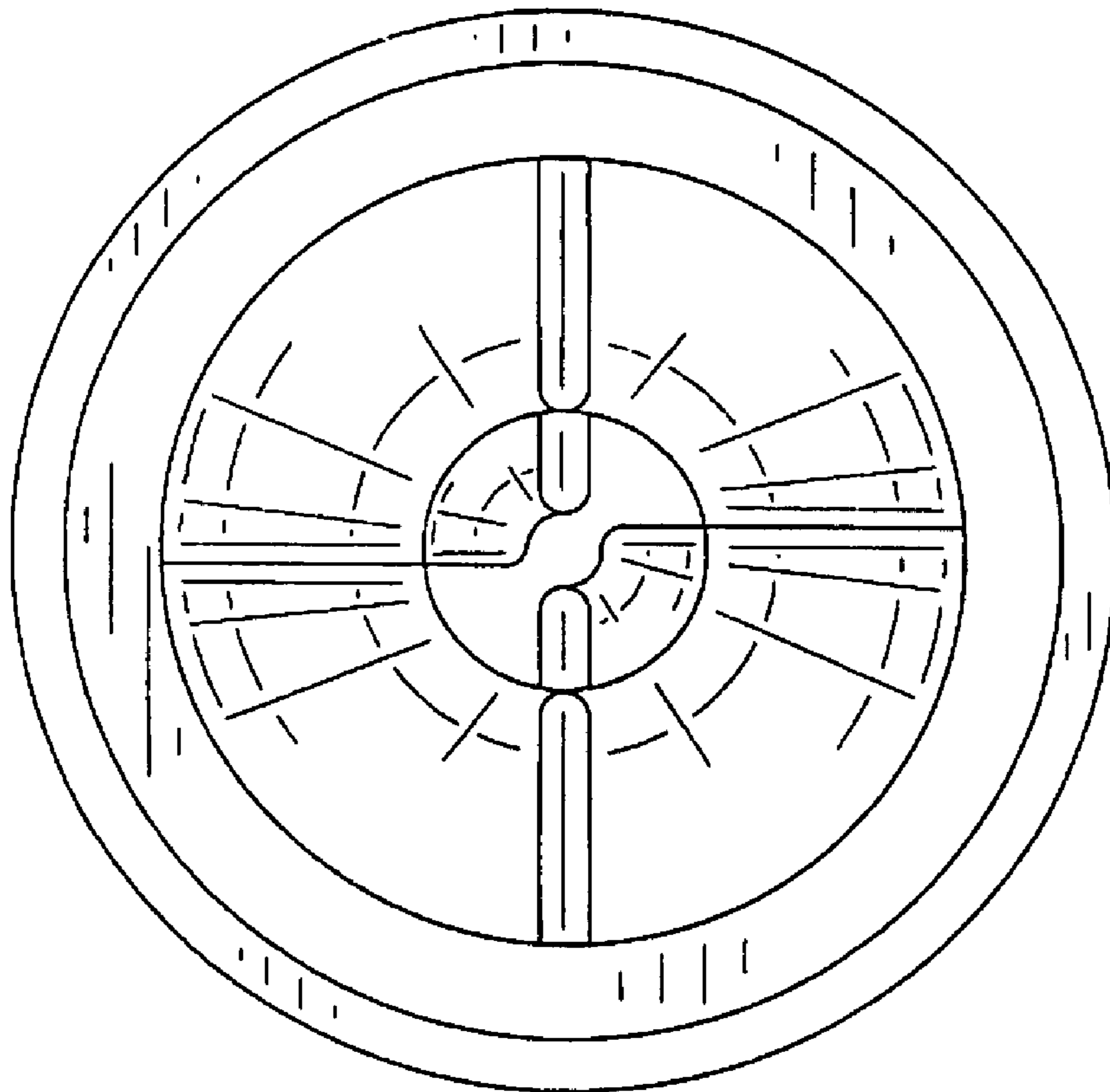


Fig.6

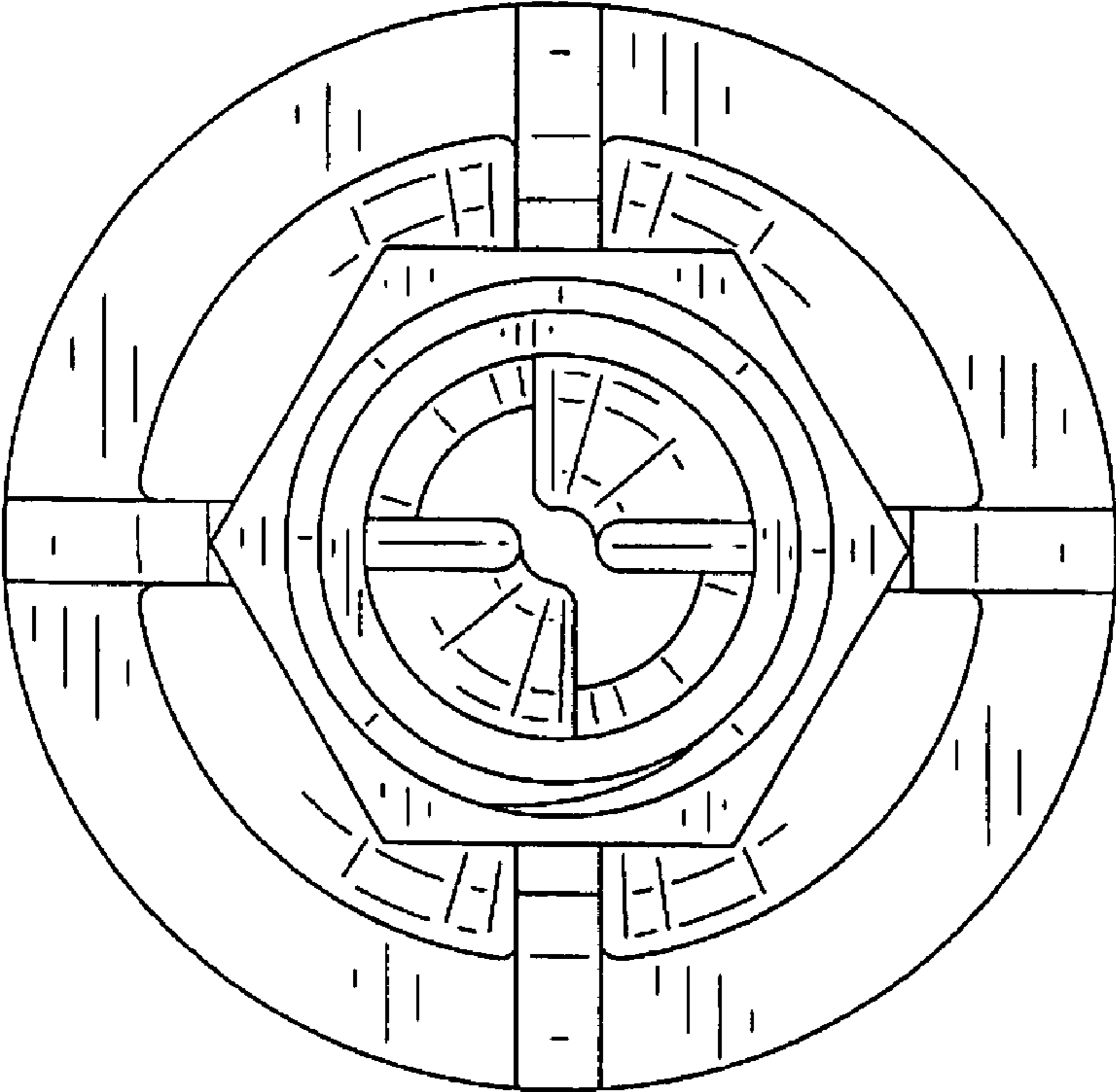


Fig.7

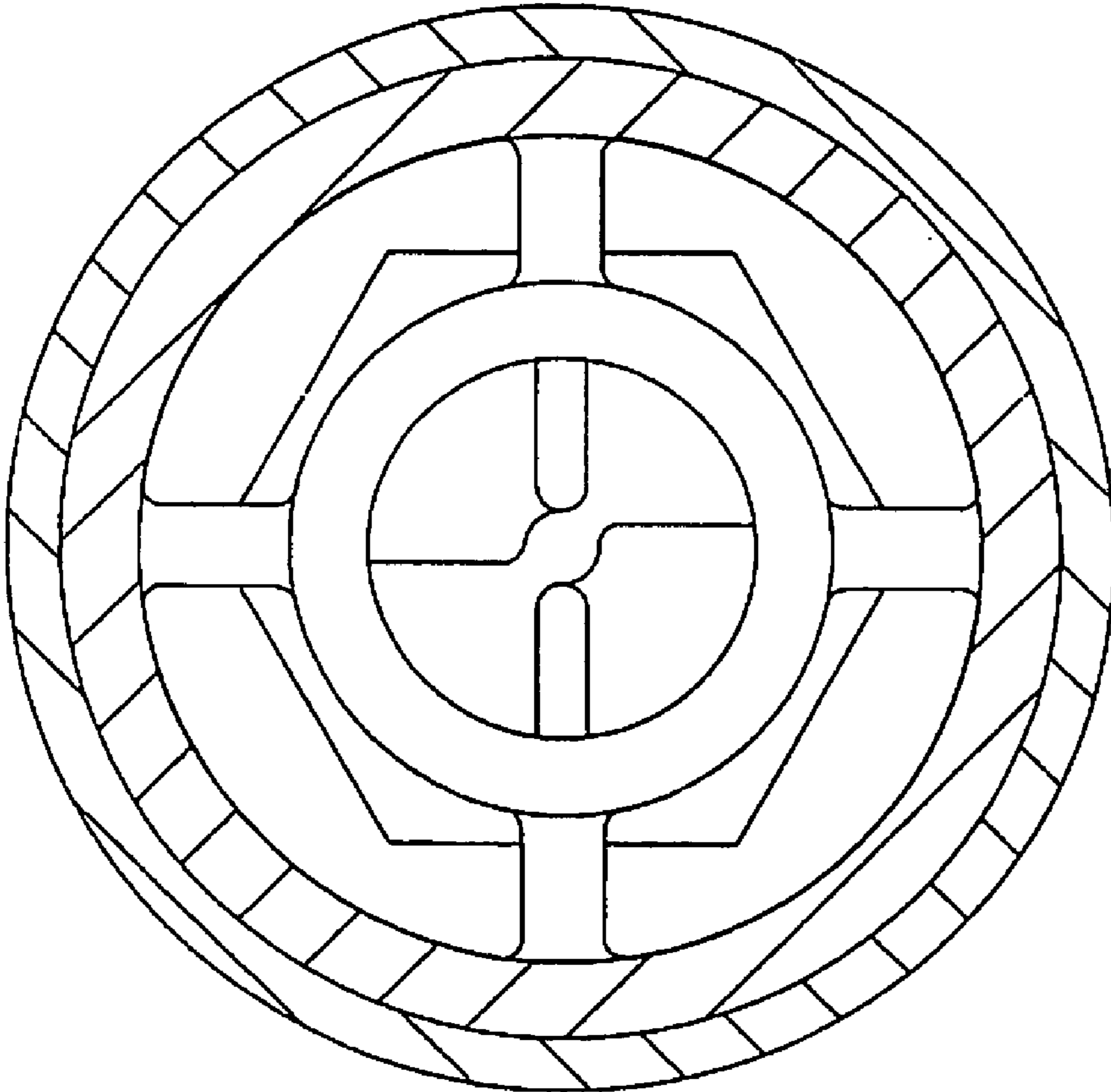


Fig.8

