



US00D625765S

(12) **United States Design Patent**
Storch

(10) **Patent No.:** **US D625,765 S**

(45) **Date of Patent:** **** Oct. 19, 2010**

(54) **FIREARM GRIP MOUNT**

(74) *Attorney, Agent, or Firm*—Boyle Fredrickson, s.c.

(75) Inventor: **Troy Storch**, Waukesha, WI (US)

(57) **CLAIM**

(73) Assignee: **Midwest Industries, Inc.**, Waukesha, WI (US)

The ornamental design for a firearm grip mount, substantially as shown and described.

(**) Term: **14 Years**

DESCRIPTION

(21) Appl. No.: **29/337,223**

FIG. 1 is a forward elevated perspective view of a firearm grip mount according to the present invention positioned between an exemplary barrel of a firearm and a grip assembly;

(22) Filed: **May 18, 2009**

FIG. 2 is view similar to the FIG. 1 and shows the firearm grip mount positioned about an exemplary barrel of a firearm;

(51) **LOC (9) Cl.** **22-01**

(52) **U.S. Cl.** **D22/108**

(58) **Field of Classification Search** D22/100, D22/108, 109, 110, 199; 42/11, 113, 116, 42/119, 124, 125, 127, 90, 145, 128, 72, 42/106, 114, 85, 75.02, 71.01; 248/205.1, 248/201

FIG. 3 is front elevation view of the firearm grip mount shown in FIG. 1;

See application file for complete search history.

FIG. 4 is a lateral side elevation view of the firearm grip mount shown in FIG. 1;

(56) **References Cited**

U.S. PATENT DOCUMENTS

- D309,255 S * 7/1990 Karow, Jr. D8/395
- 5,033,219 A * 7/1991 Johnson et al. 42/115
- D415,239 S * 10/1999 Fell et al. D22/110

FIG. 5 is a top plan view of the firearm grip mount shown in FIG. 1; and,

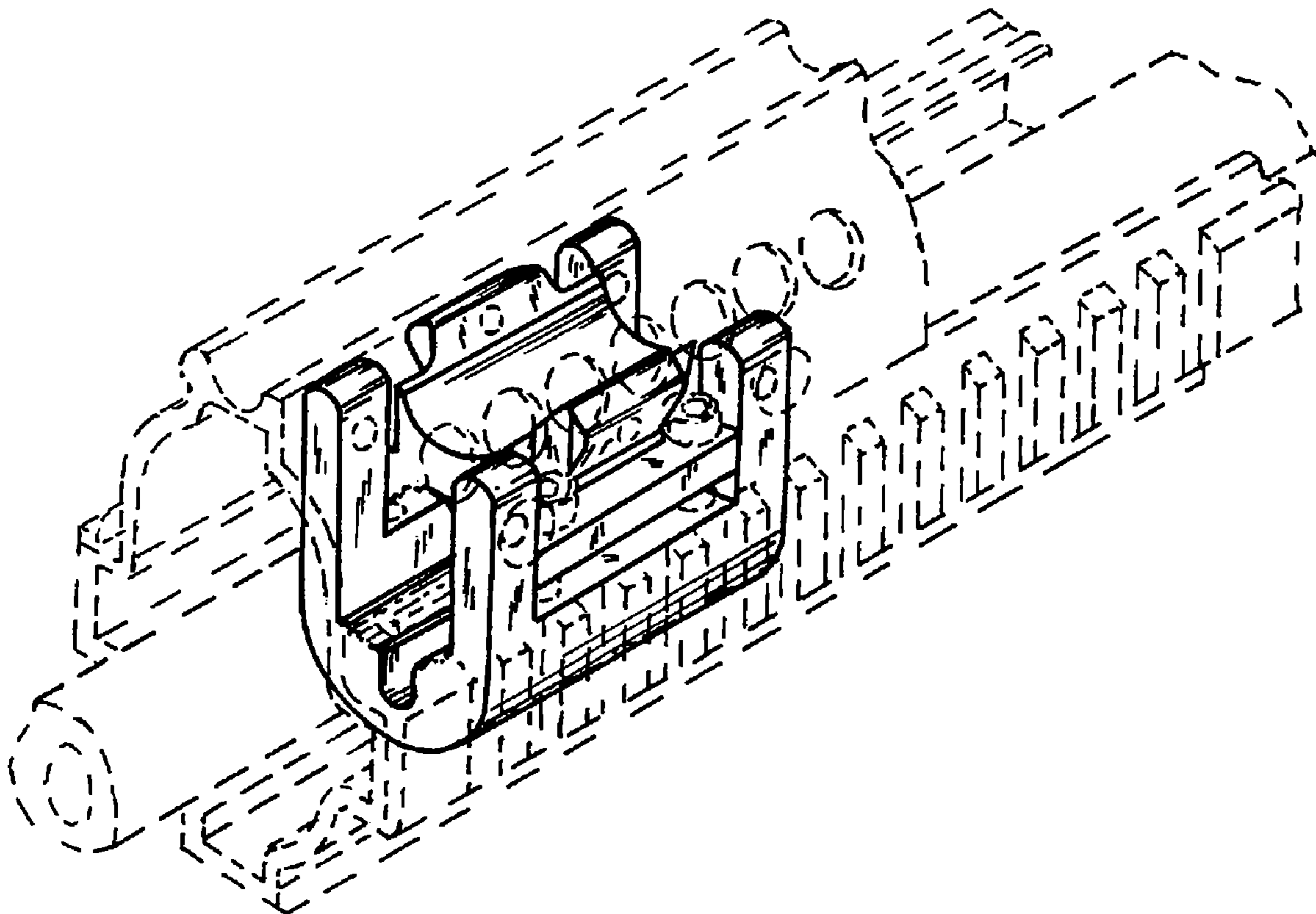
FIG. 6 is a bottom plan view of the firearm grip mount shown in FIG. 1.

* cited by examiner

The broken line showing of all fasteners, through holes, counter bores, circular recesses and interior triangular grip enhancing texture is included for the purpose of illustrating portions of the firearm grip mount that forms no part of the claimed design.

Primary Examiner—T. Chase Nelson
Assistant Examiner—Michael A Pratt

1 Claim, 3 Drawing Sheets



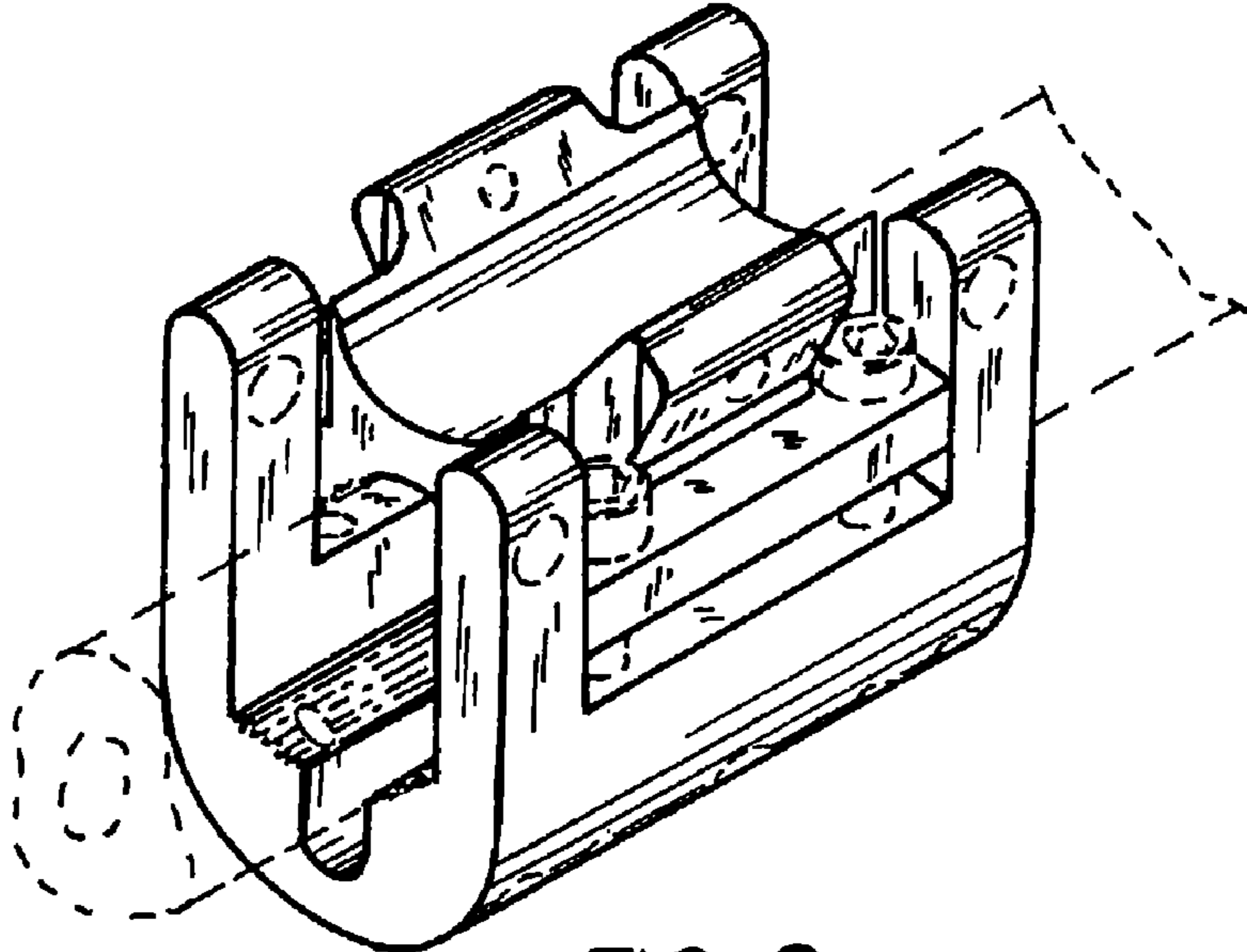


FIG. 2

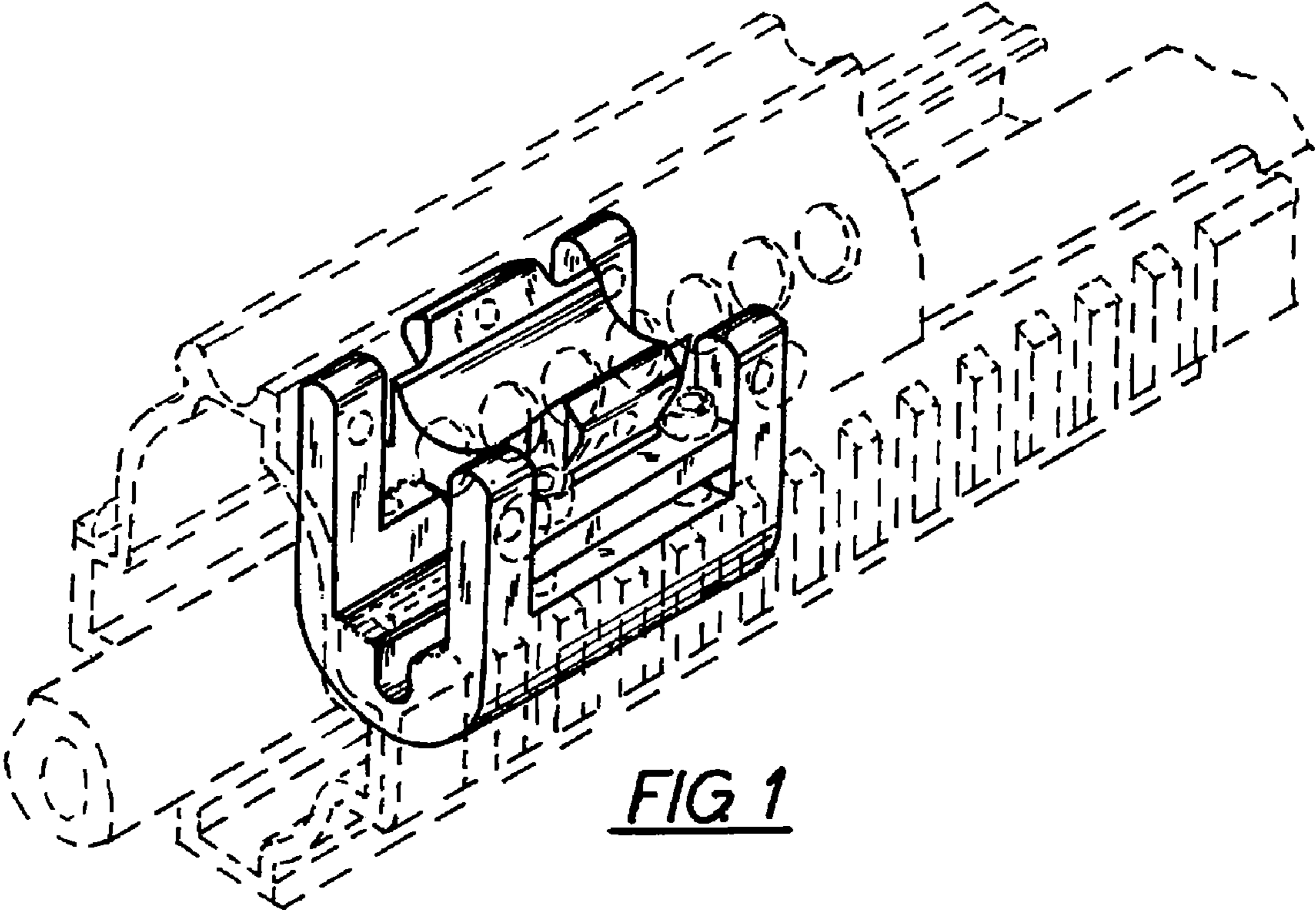


FIG. 1

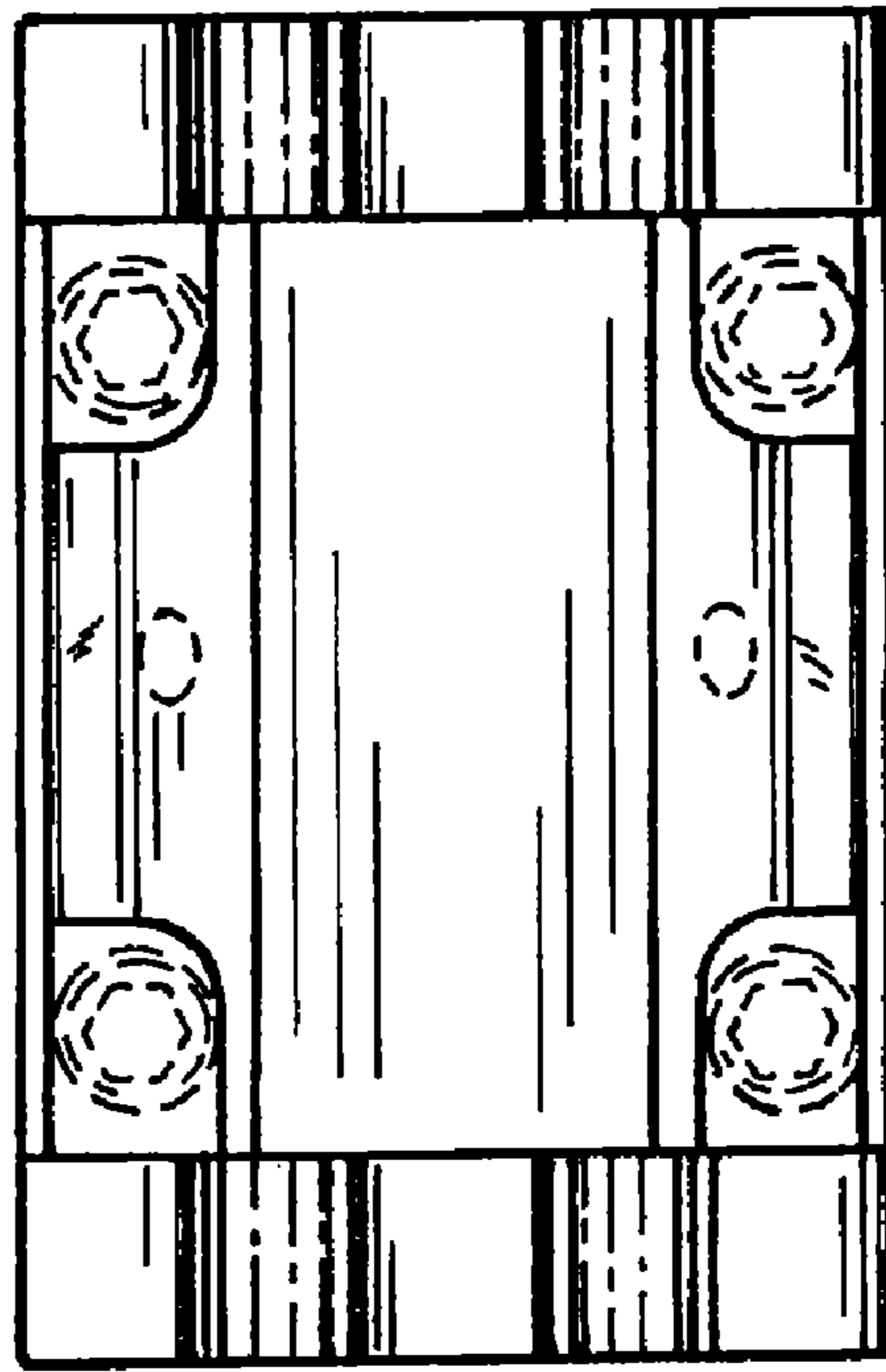


FIG. 5

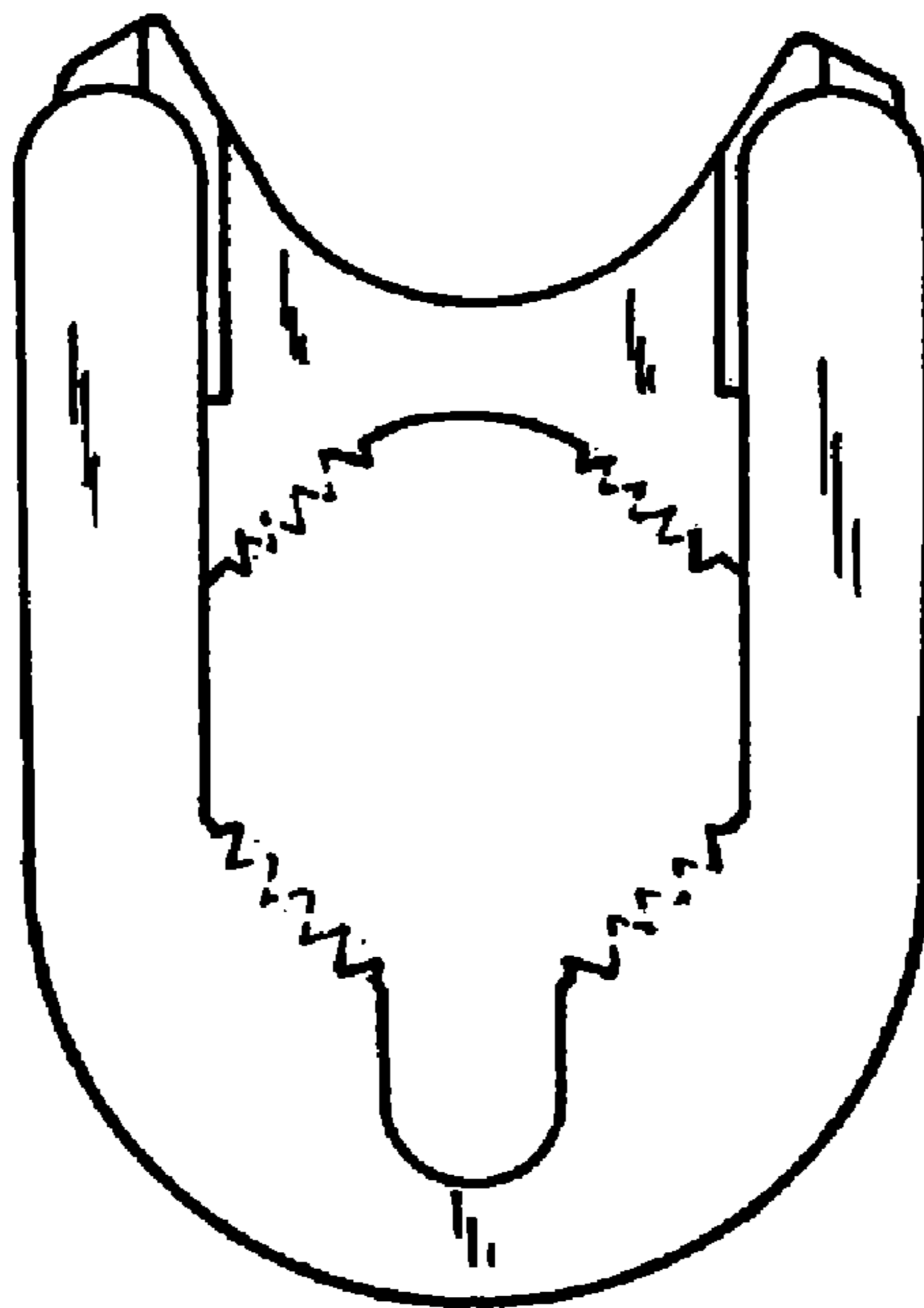


FIG. 3

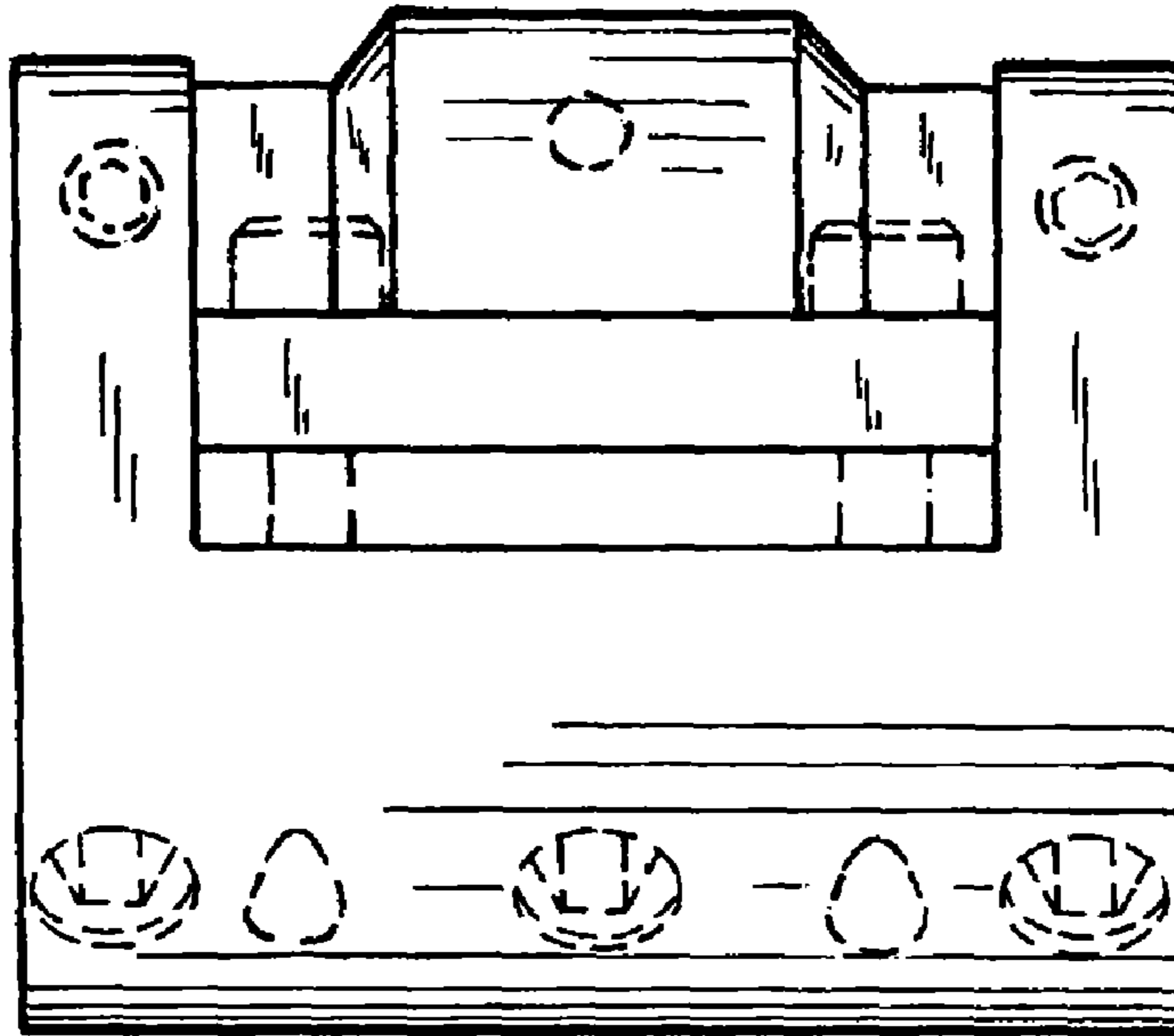


FIG. 4

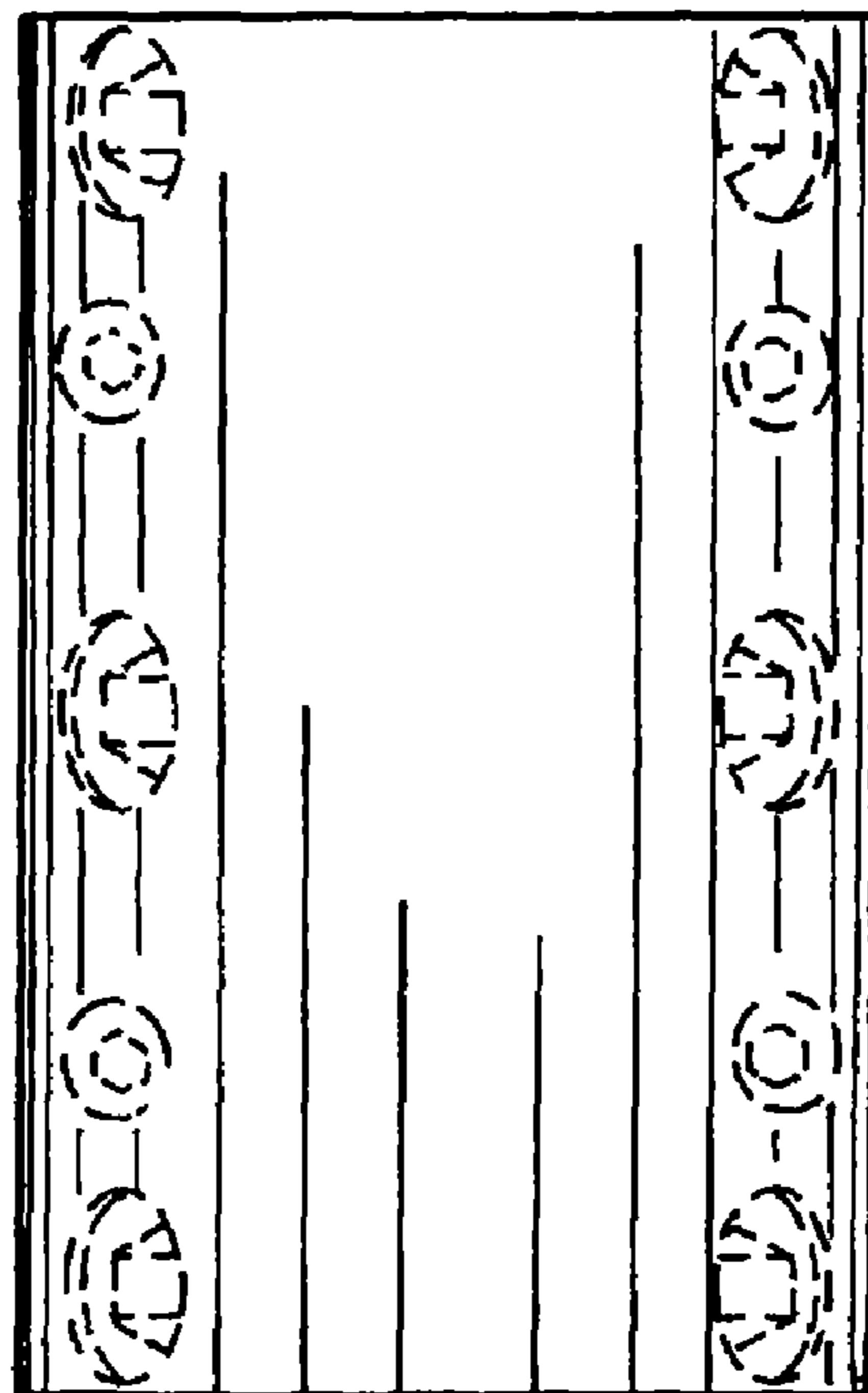


FIG. 6