



US00D625764S

(12) **United States Design Patent**
Hilton et al.

(10) **Patent No.:** **US D625,764 S**

(45) **Date of Patent:** **** Oct. 19, 2010**

(54) **PUTTER HEAD**

(75) Inventors: **Thomas R. Hilton**, Cardiff, CA (US);
Augustin W. Rollinson, Carlsbad, CA (US)

(73) Assignee: **Callaway Golf Company**, Carlsbad, CA (US)

(**) Term: **14 Years**

(21) Appl. No.: **29/367,280**

(22) Filed: **Aug. 5, 2010**

(51) **LOC (9) Cl.** **21-02**

(52) **U.S. Cl.** **D21/743**

(58) **Field of Classification Search** D21/736–746;
473/324–331, 251–256, 340–341

See application file for complete search history.

(56) **References Cited**

U.S. PATENT DOCUMENTS

D235,668 S *	7/1975	Swash	D21/739
3,955,819 A *	5/1976	Yokich	473/252
D368,126 S	3/1996	Magerman et al.	
D402,343 S	12/1998	Helmstetter et al.	
D443,906 S	6/2001	Hettinger et al.	
D472,594 S *	4/2003	Tang et al.	D21/735
D472,595 S *	4/2003	Tang et al.	D21/735
D483,824 S *	12/2003	Tang et al.	D21/738
D485,320 S	1/2004	Breier et al.	

D486,194 S	2/2004	Helmstetter et al.	
6,793,588 B2 *	9/2004	Tang et al.	473/340
D523,915 S *	6/2006	Bergstrom	D21/742
D531,242 S *	10/2006	Adams	D21/746
D533,242 S	12/2006	Tang	
D537,137 S *	2/2007	Sheehan	D21/746
D542,869 S *	5/2007	Adams	D21/742
D548,293 S	8/2007	Cleveland et al.	
D548,296 S *	8/2007	Rollinson	D21/744
D603,008 S *	10/2009	Donahue	D21/742

* cited by examiner

Primary Examiner—Mitchell I Siegel

(74) *Attorney, Agent, or Firm*—Michael A. Catania

(57) **CLAIM**

The ornamental design for a putter head, as shown and described.

DESCRIPTION

FIG. 1 is a top perspective view of a putter head;

FIG. 2 is a front elevational view thereof;

FIG. 3 is a top plan view thereof;

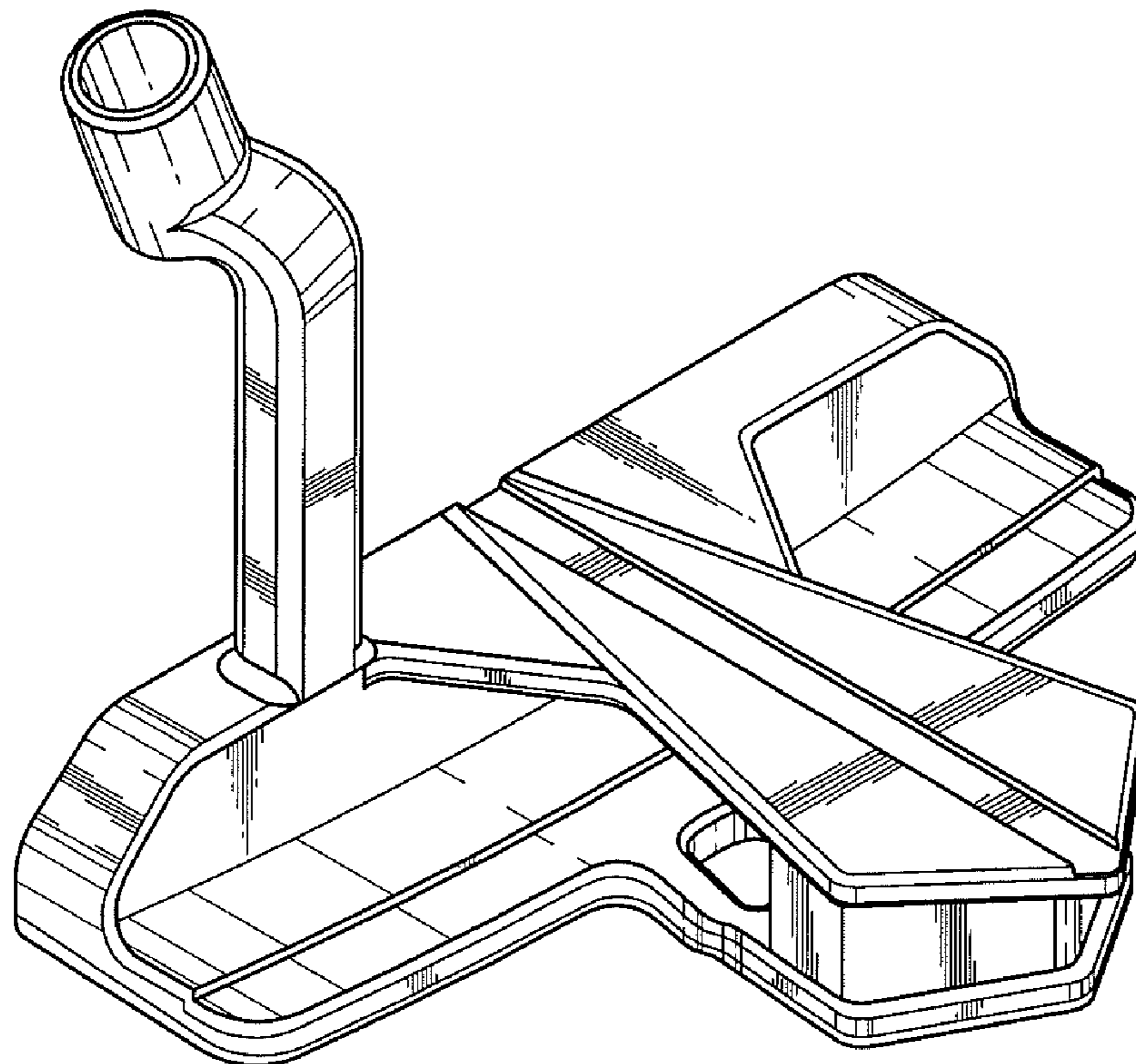
FIG. 4 is a rear elevational view thereof;

FIG. 5 is a bottom plan view thereof;

FIG. 6 is a toe elevational view thereof; and,

FIG. 7 is a heel elevational view thereof.

1 Claim, 3 Drawing Sheets



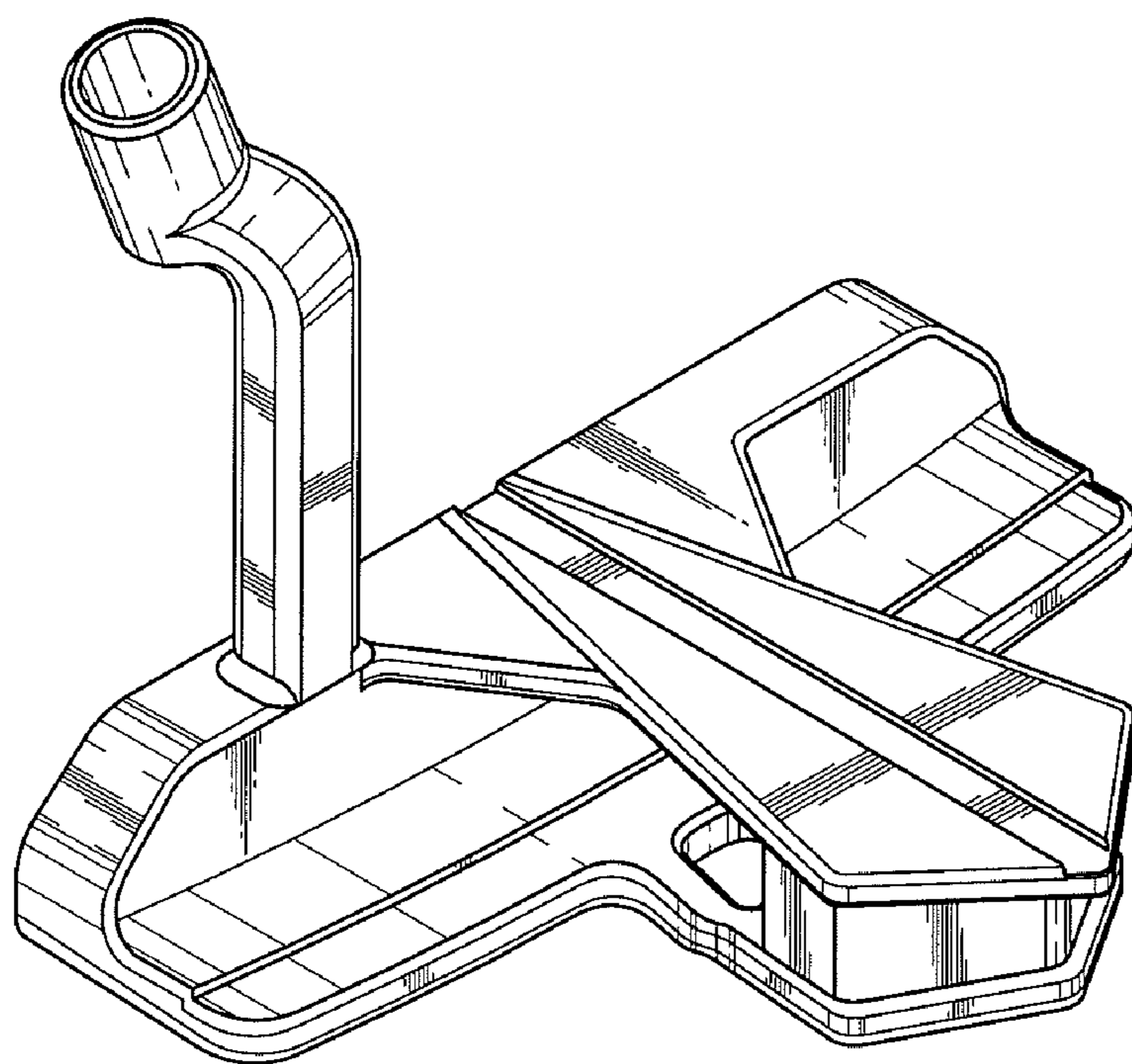


FIG. 1

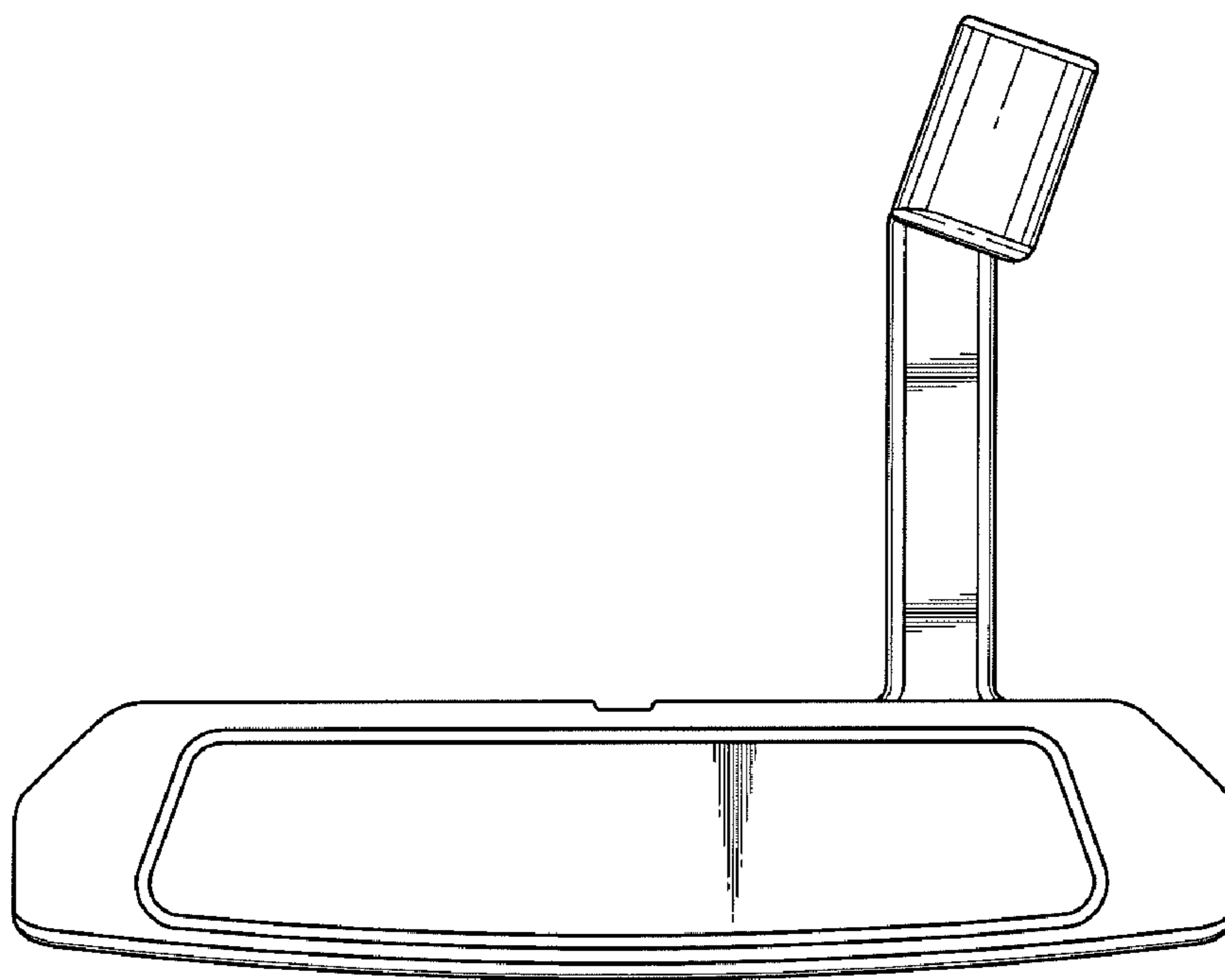


FIG. 2

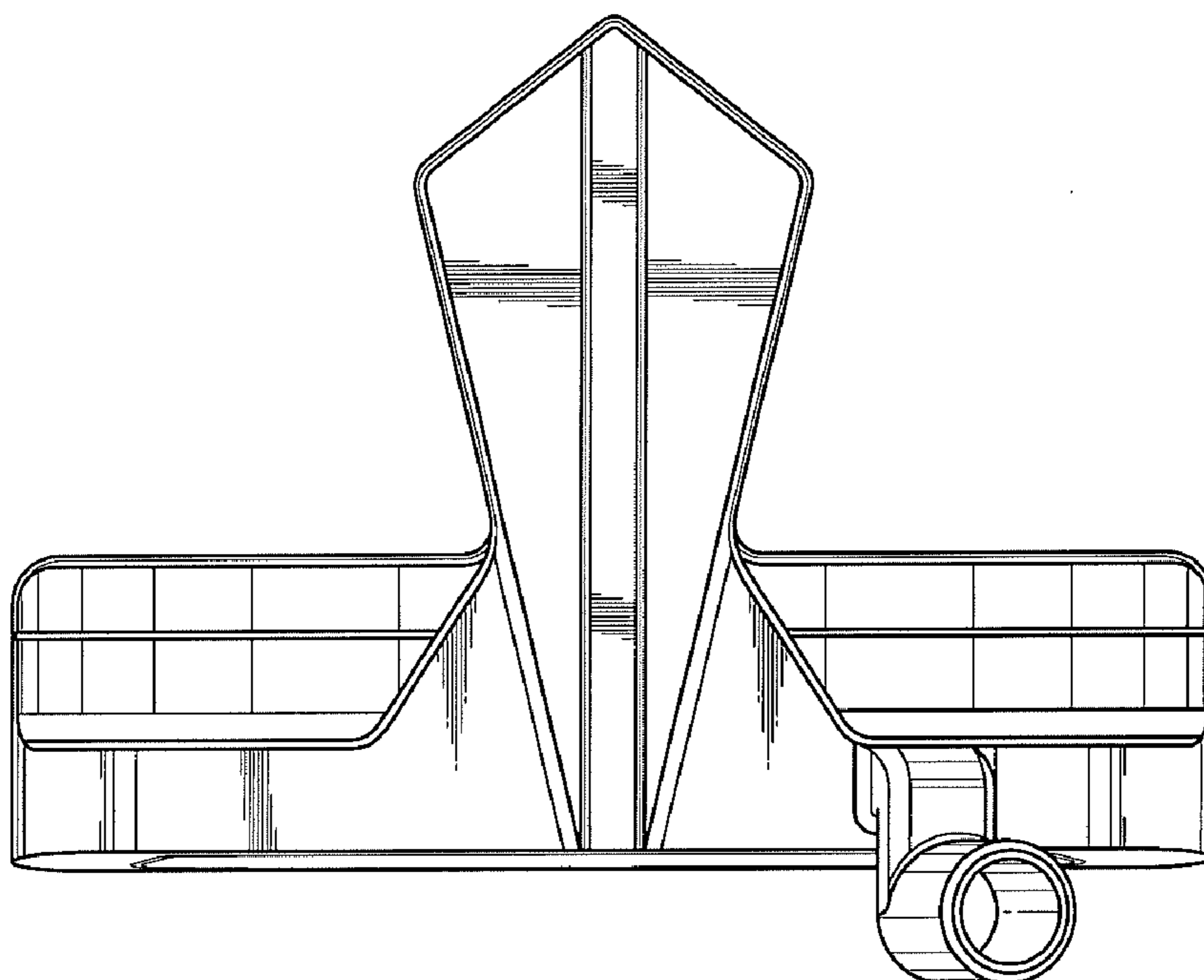


FIG. 3

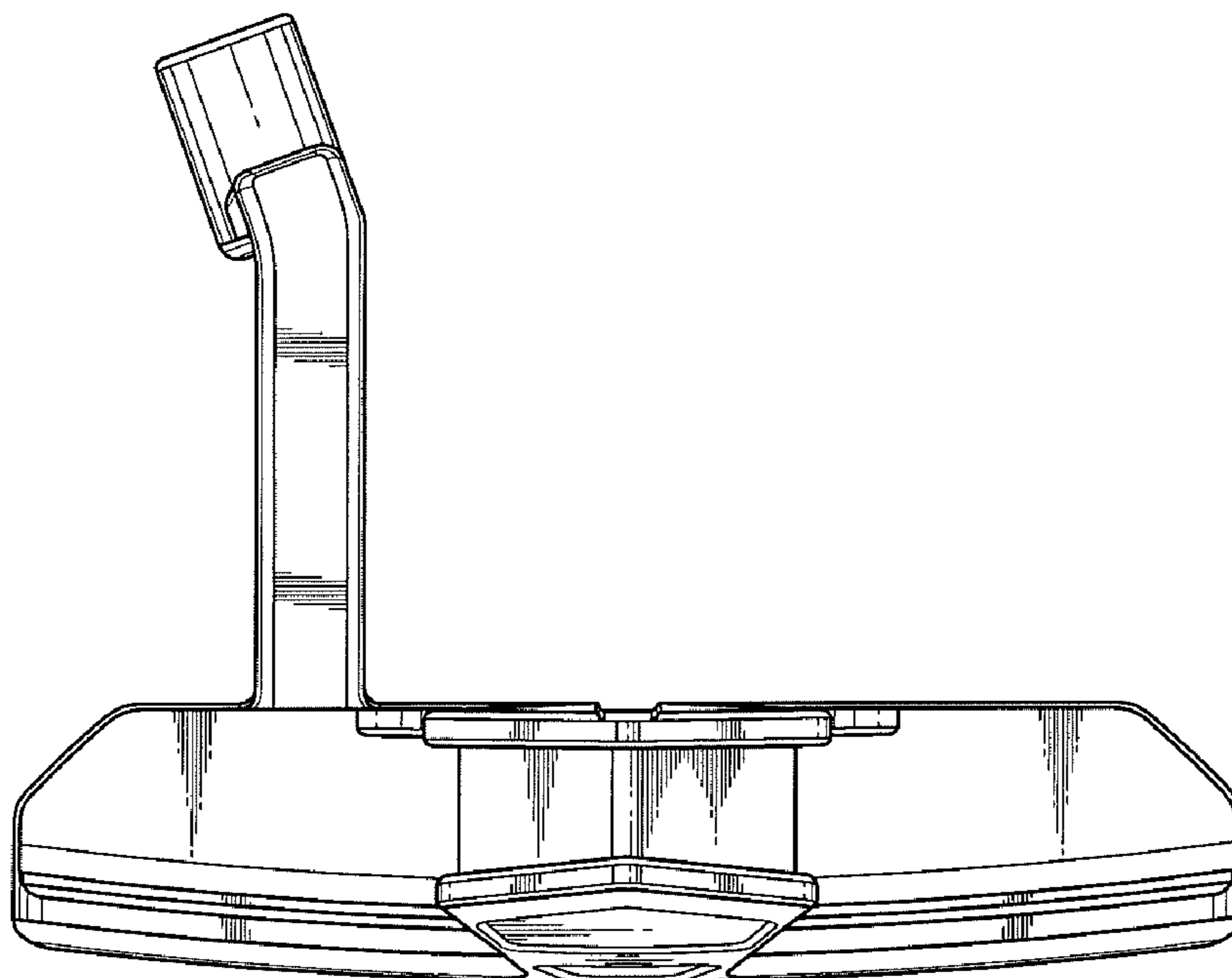


FIG. 4

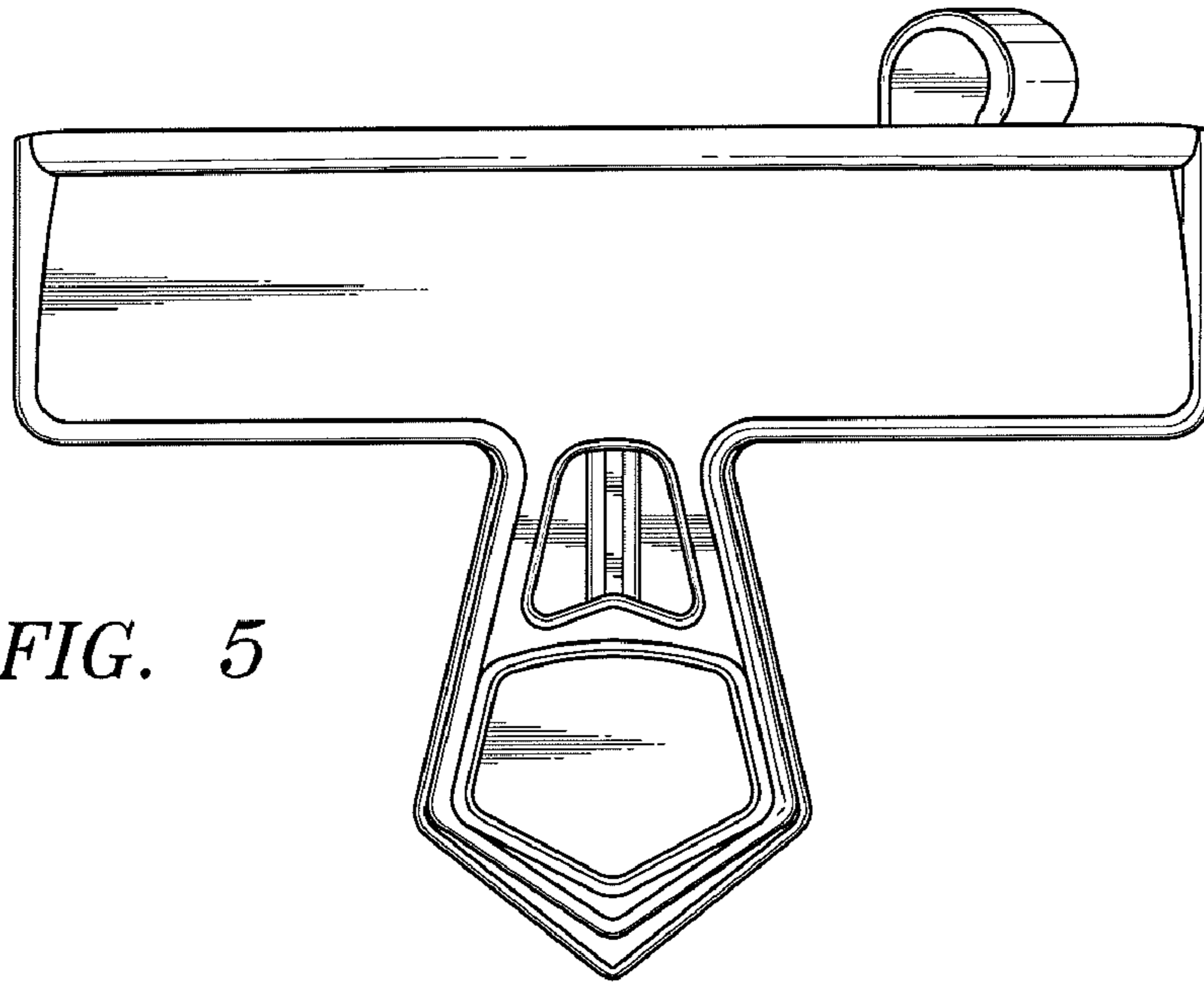


FIG. 5

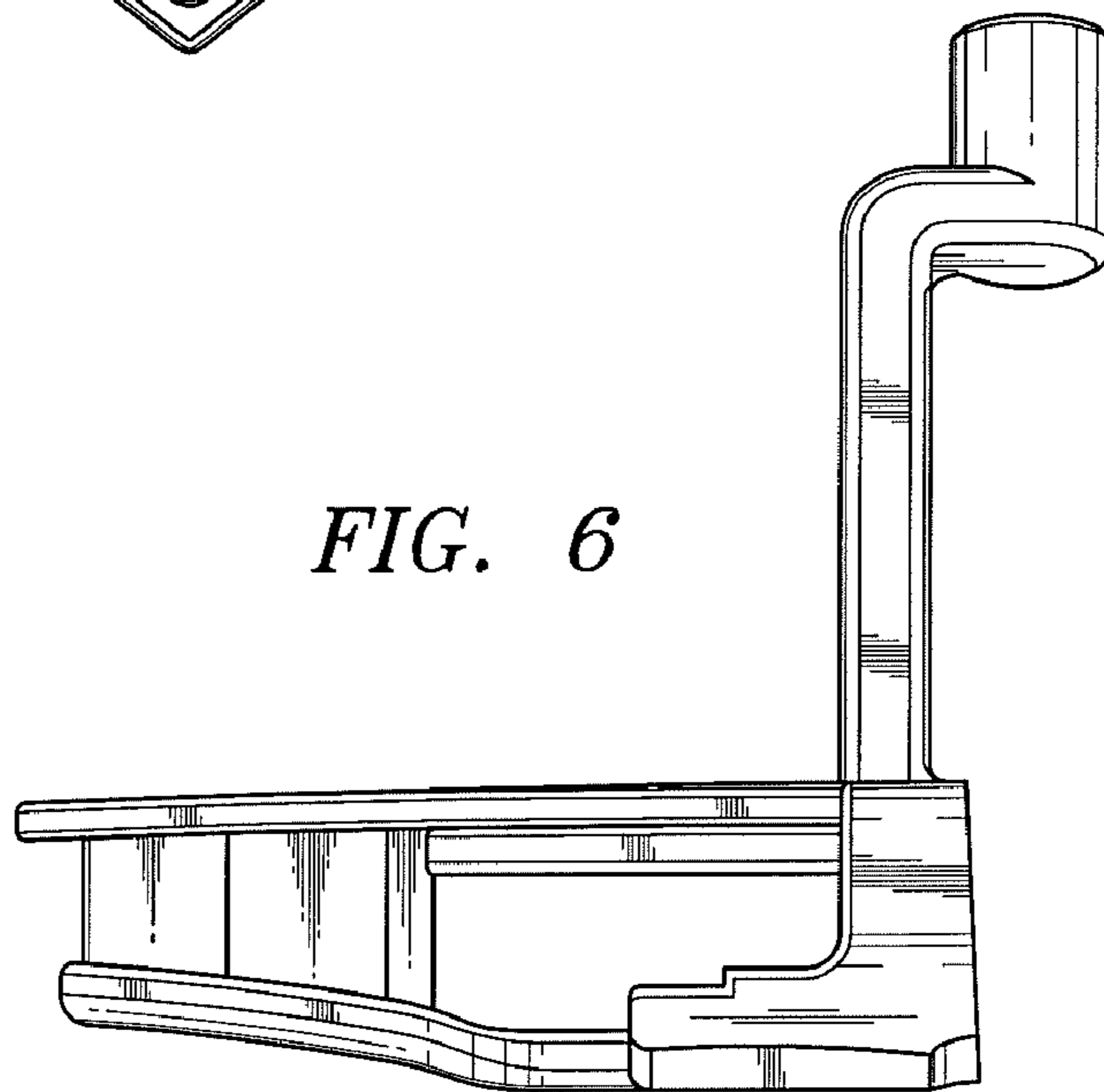


FIG. 6

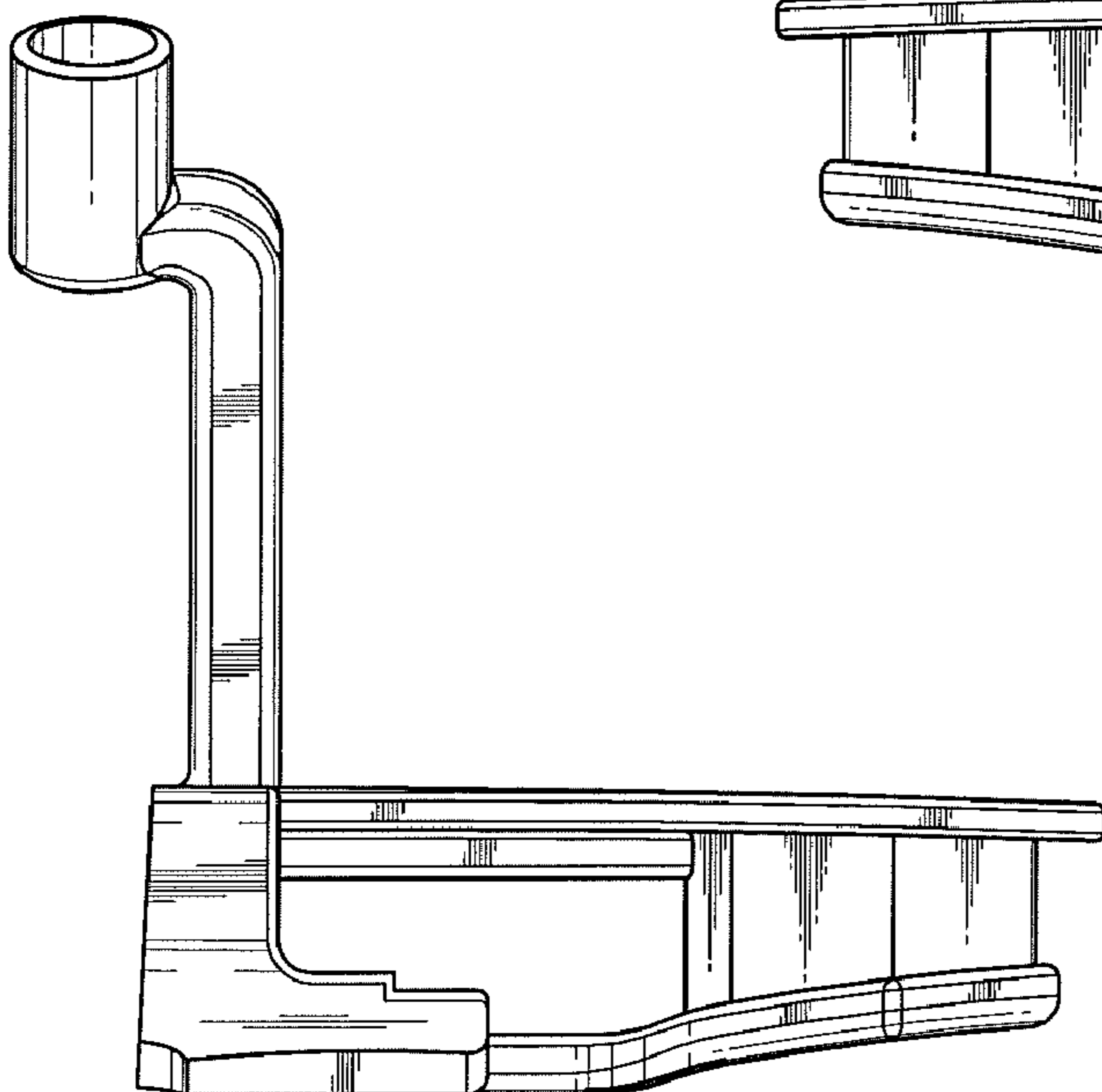


FIG. 7