



US00D625762S

(12) **United States Design Patent**
Fon

(10) **Patent No.:** **US D625,762 S**
(45) **Date of Patent:** **** Oct. 19, 2010**

(54) **EXERCISE BIKE**

(75) Inventor: **Su Jung Fon**, Taichung (TW)

(73) Assignee: **Iviva International Corporation**,
Taichung (TW)

(**) Term: **14 Years**

(21) Appl. No.: **29/345,181**

(22) Filed: **Oct. 12, 2009**

(51) **LOC (9) Cl.** **21-02**

(52) **U.S. Cl.** **D21/667**

(58) **Field of Classification Search** D21/662-670,
D21/694, 697; 482/51-52, 57-65; 280/288.2,
280/288.3

See application file for complete search history.

(56) **References Cited**

U.S. PATENT DOCUMENTS

3,995,491	A *	12/1976	Wolfla, II	73/379.07
D280,226	S *	8/1985	Kasuba et al.	D21/667
D296,457	S *	6/1988	Anitua	D21/667
D382,925	S *	8/1997	Wu	D21/667
D460,794	S *	7/2002	Baker	D21/667
D473,602	S *	4/2003	Baudhuin et al.	D21/697
6,612,970	B2 *	9/2003	Forcillo	482/57
6,669,603	B1 *	12/2003	Forcillo	482/57
6,905,445	B1 *	6/2005	Lin	482/57
6,918,860	B1 *	7/2005	Nusbaum	482/57
D532,063	S *	11/2006	Kim et al.	D21/697
7,172,532	B2 *	2/2007	Baker	482/57
7,226,393	B2 *	6/2007	Baker	482/57

D571,417	S *	6/2008	Su	D21/667
D616,050	S *	5/2010	Lull	D21/667
2003/0092534	A1 *	5/2003	Forcillo	482/57
2003/0171191	A1 *	9/2003	Crawford et al.	482/57
2004/0053750	A1 *	3/2004	Forcillo	482/57
2004/0248701	A1 *	12/2004	Baker	482/57
2004/0248702	A1 *	12/2004	Baker	482/57
2005/0130808	A1 *	6/2005	Lin	482/57
2007/0281835	A1 *	12/2007	Baker	482/57
2009/0227429	A1 *	9/2009	Baudhuin	482/57

* cited by examiner

Primary Examiner—Susan E Krakower

(74) *Attorney, Agent, or Firm*—C. G. Mersereau; Nikolai & Mersereau, P.A.

(57) **CLAIM**

The ornamental design for exercise bike, as shown and described.

DESCRIPTION

FIG. 1 is a perspective view of an exercise bike;

FIG. 2 is a front view thereof;

FIG. 3 is a back view thereof;

FIG. 4 is a left view thereof;

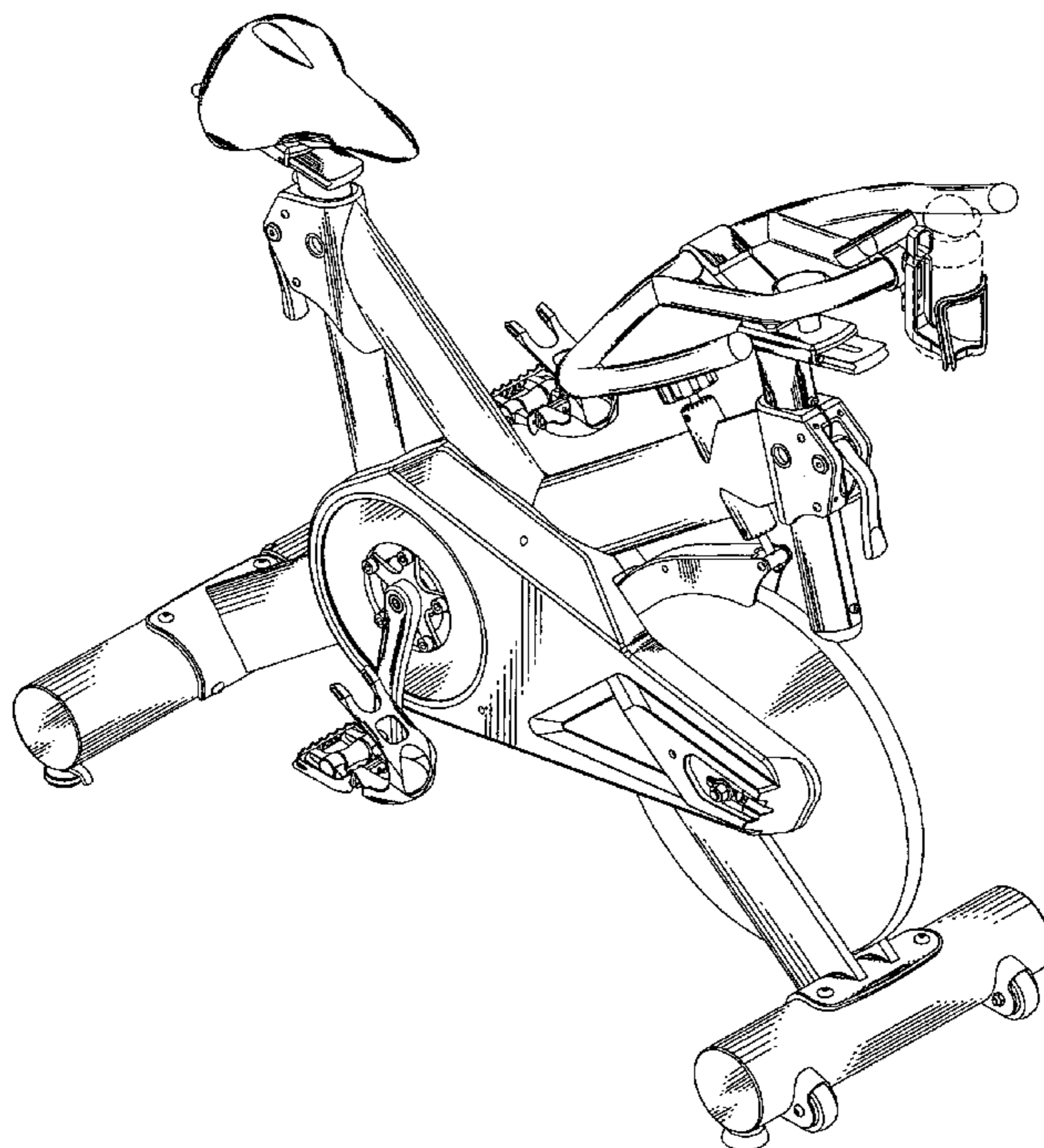
FIG. 5 is a right view thereof;

FIG. 6 is a top view thereof; and,

FIG. 7 is a bottom view thereof.

The broken lines illustrate environmental structure which form no part of the claimed design.

1 Claim, 7 Drawing Sheets



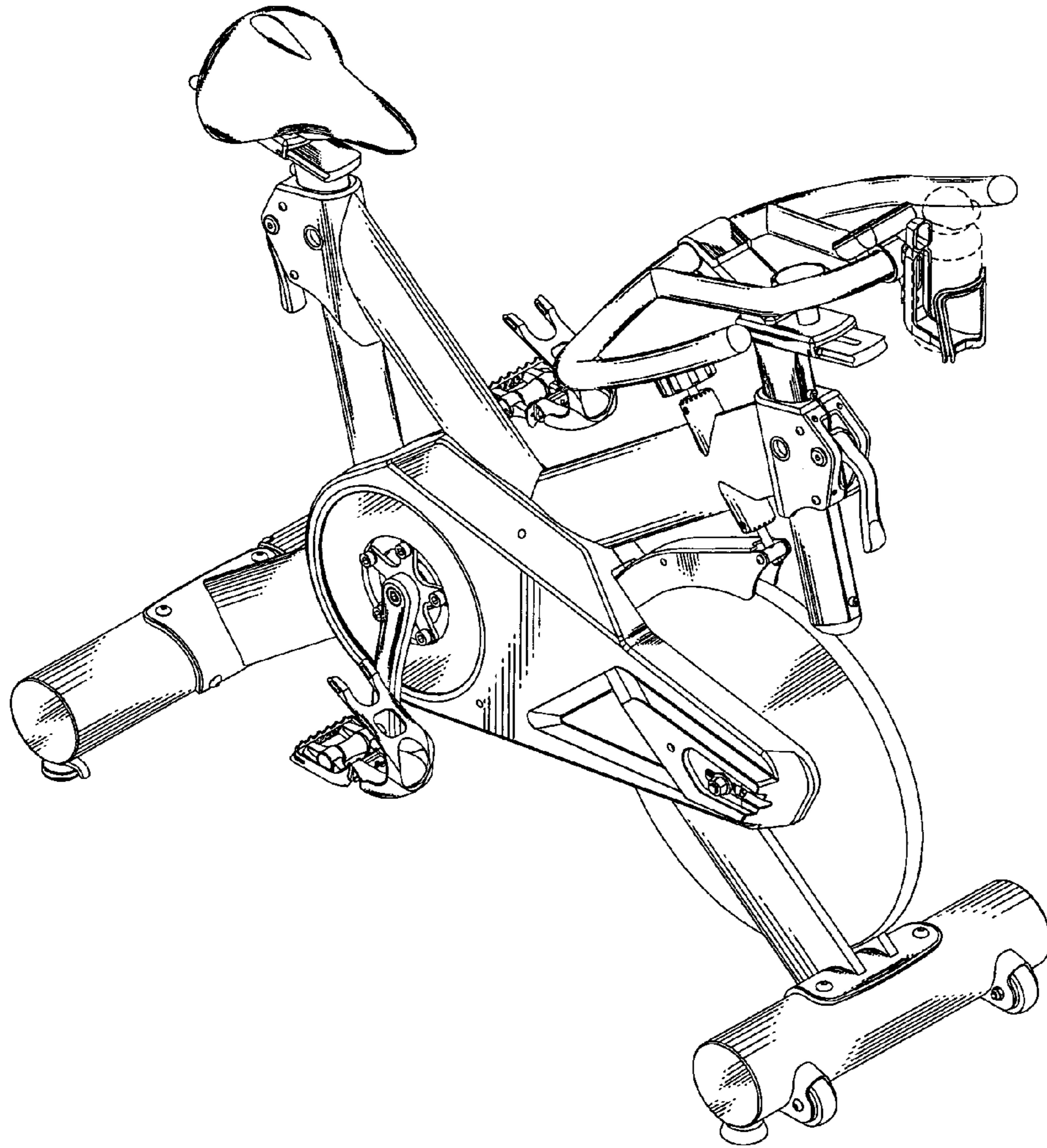


FIG.1

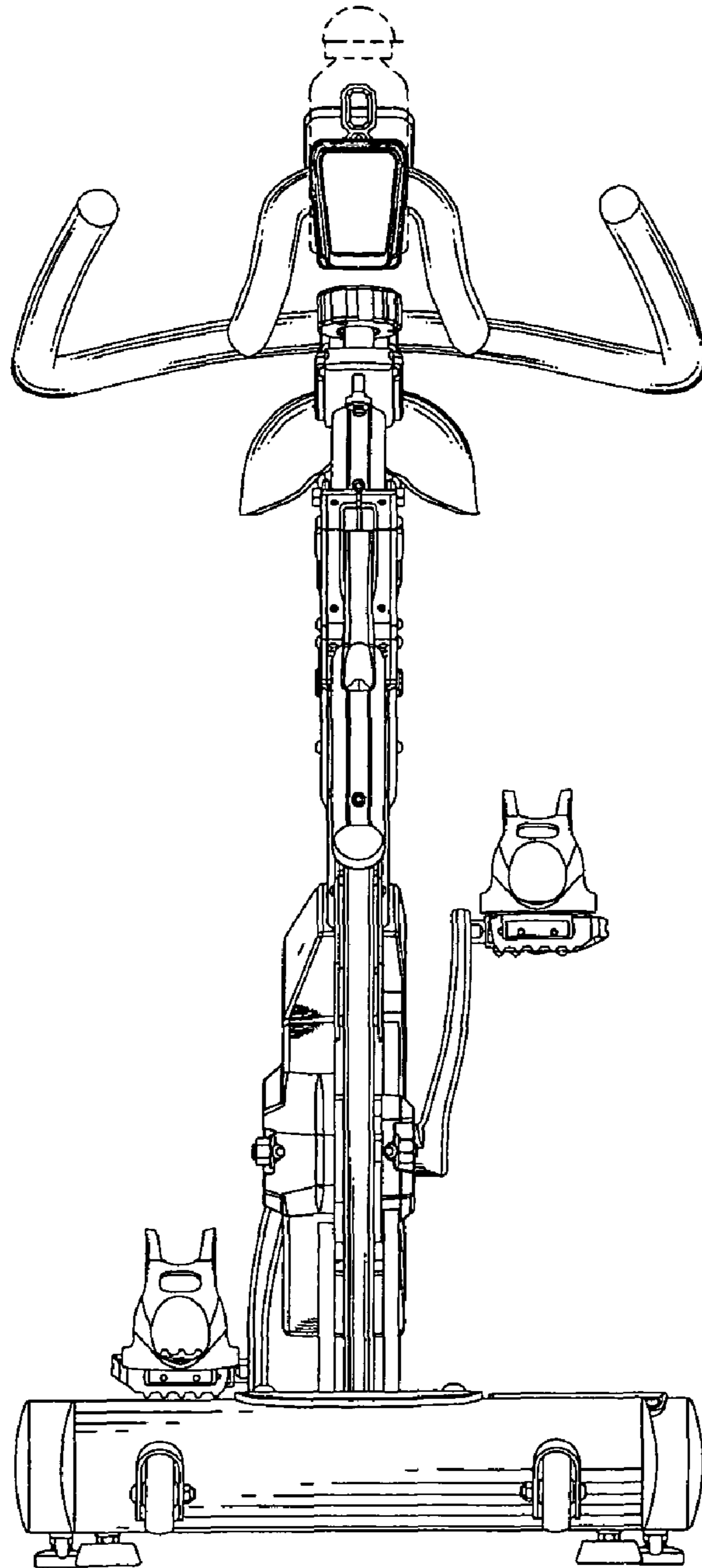


FIG.2

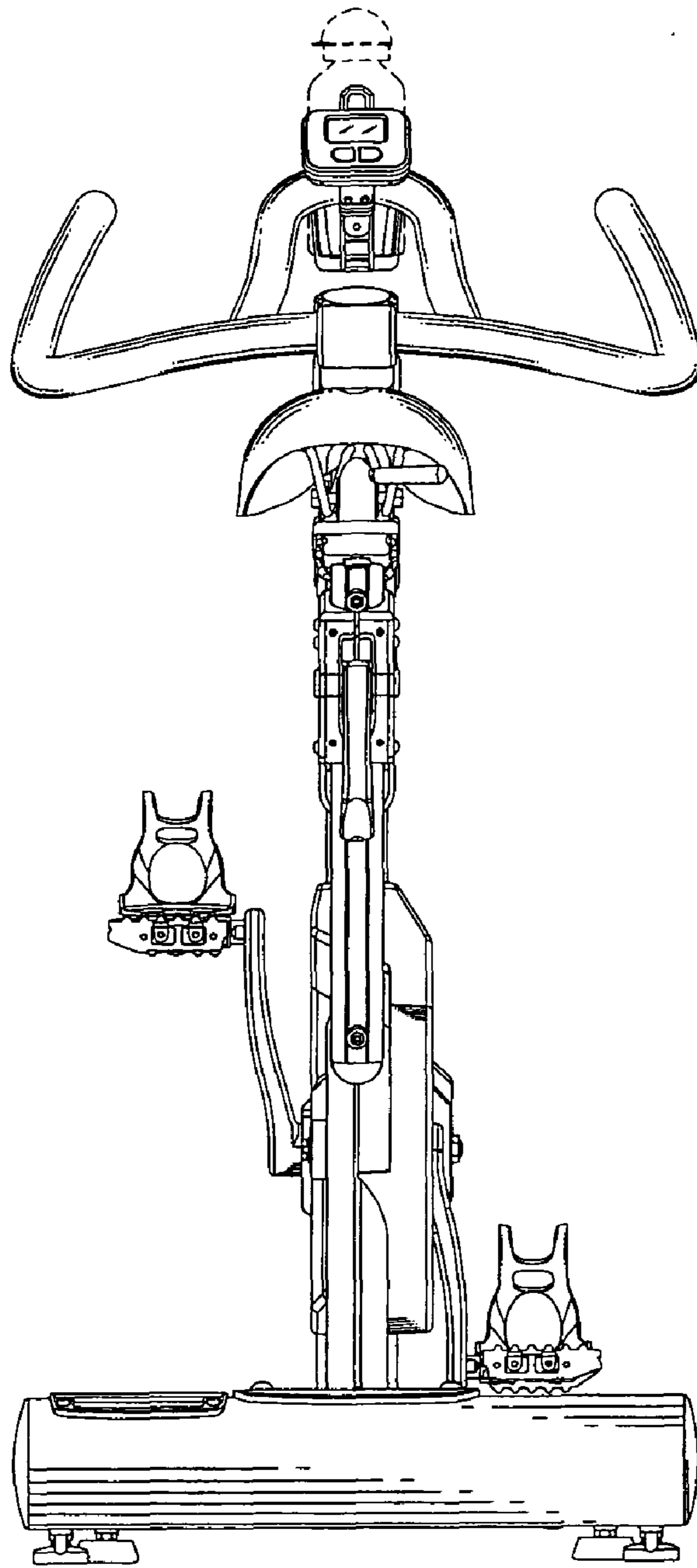


FIG.3

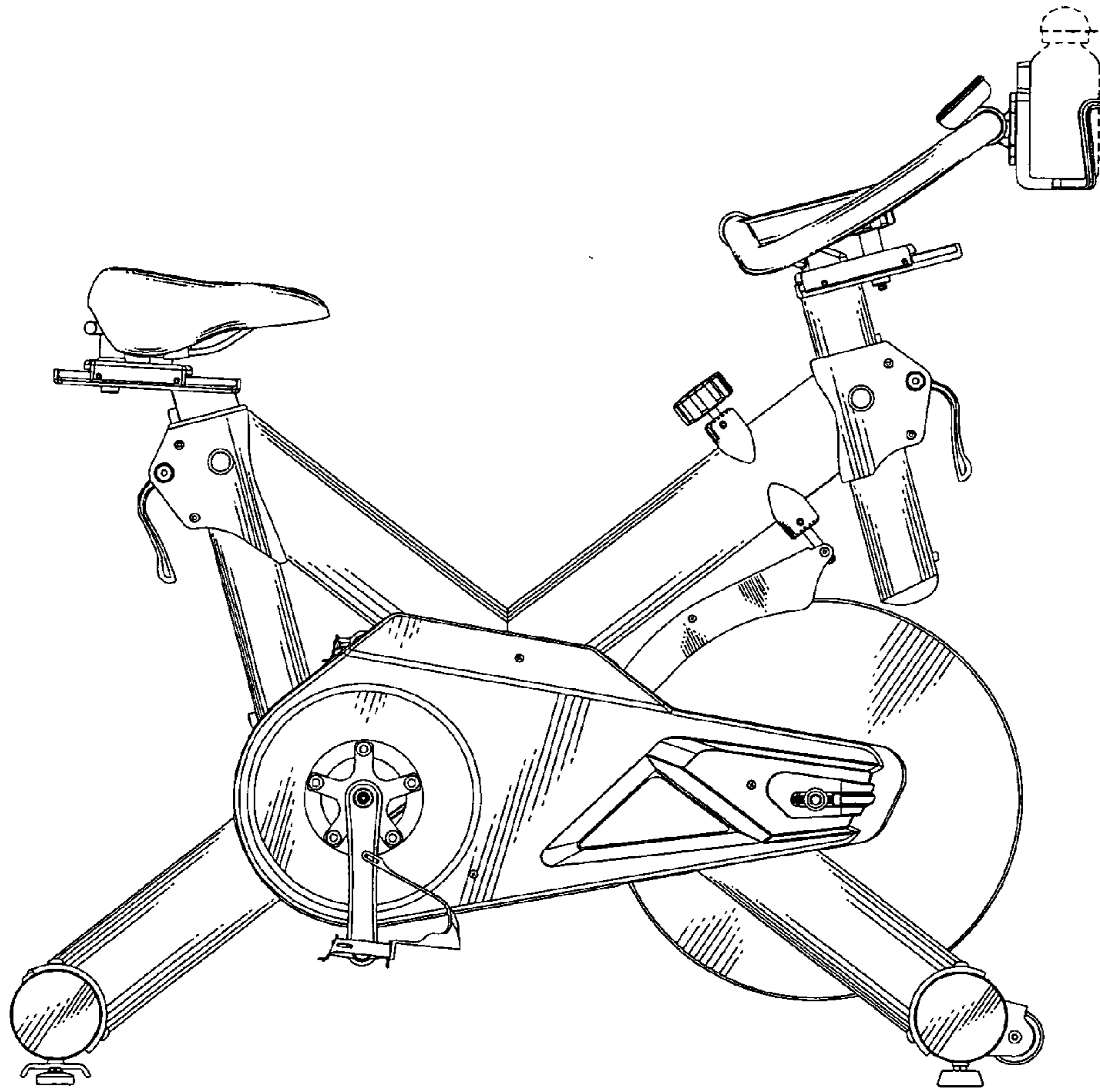


FIG.4

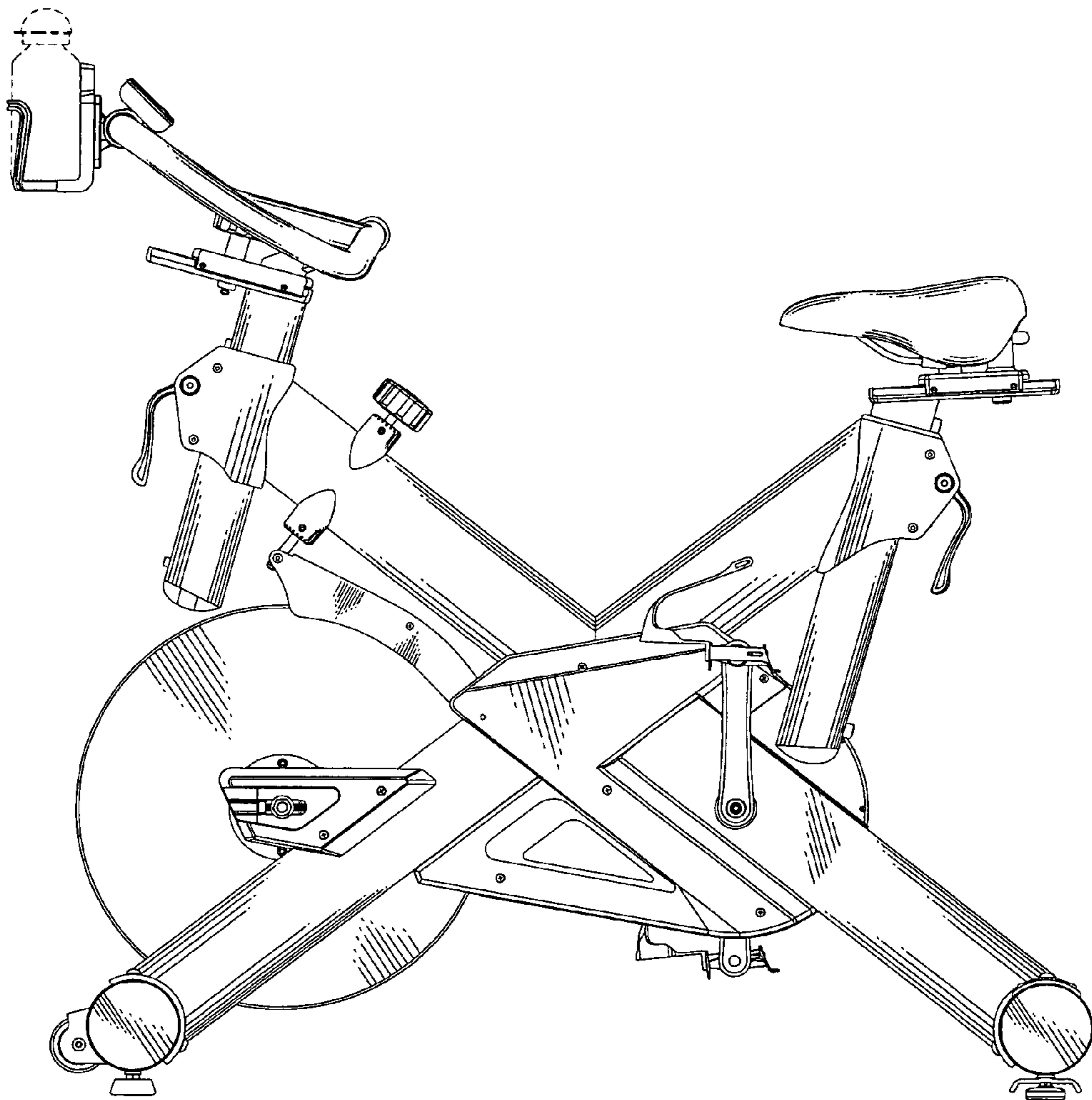


FIG.5

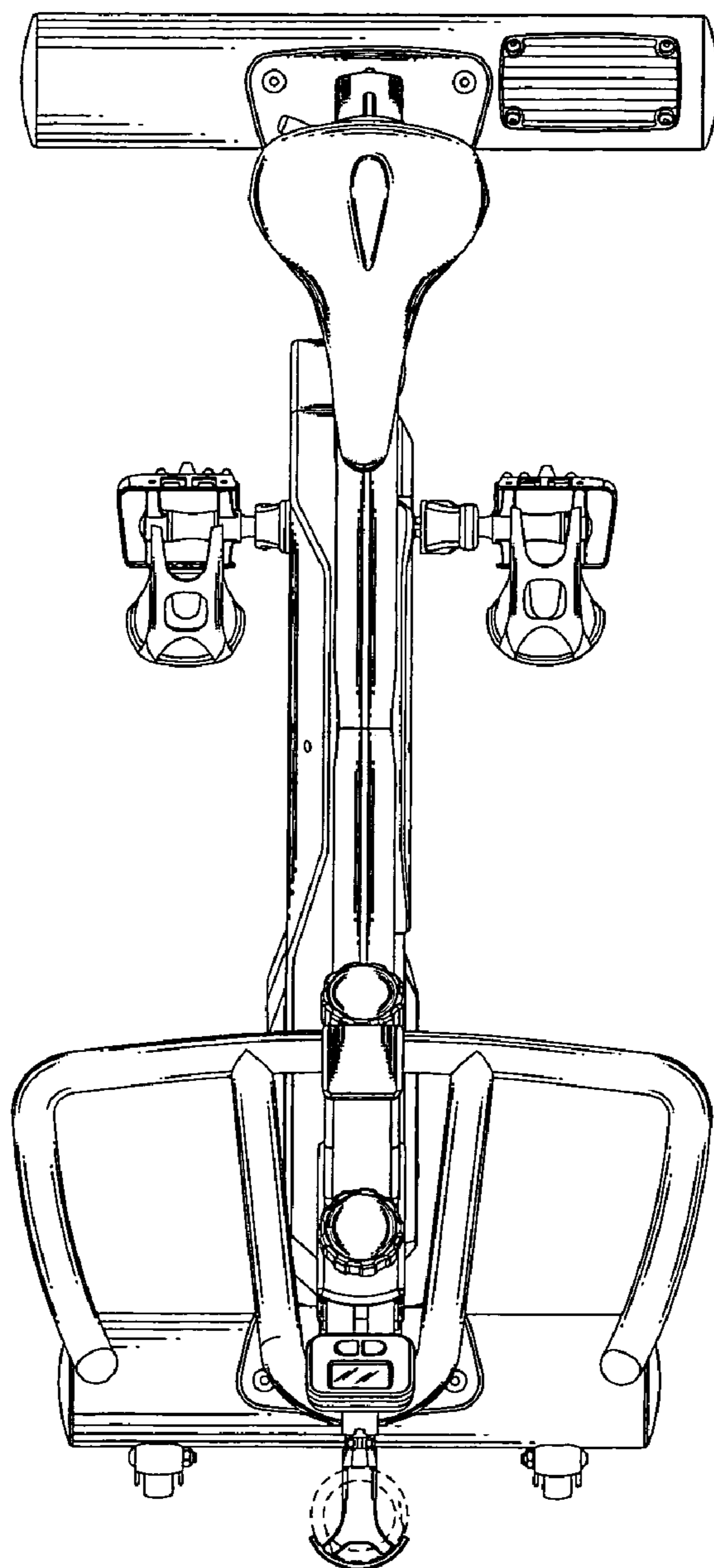


FIG.6

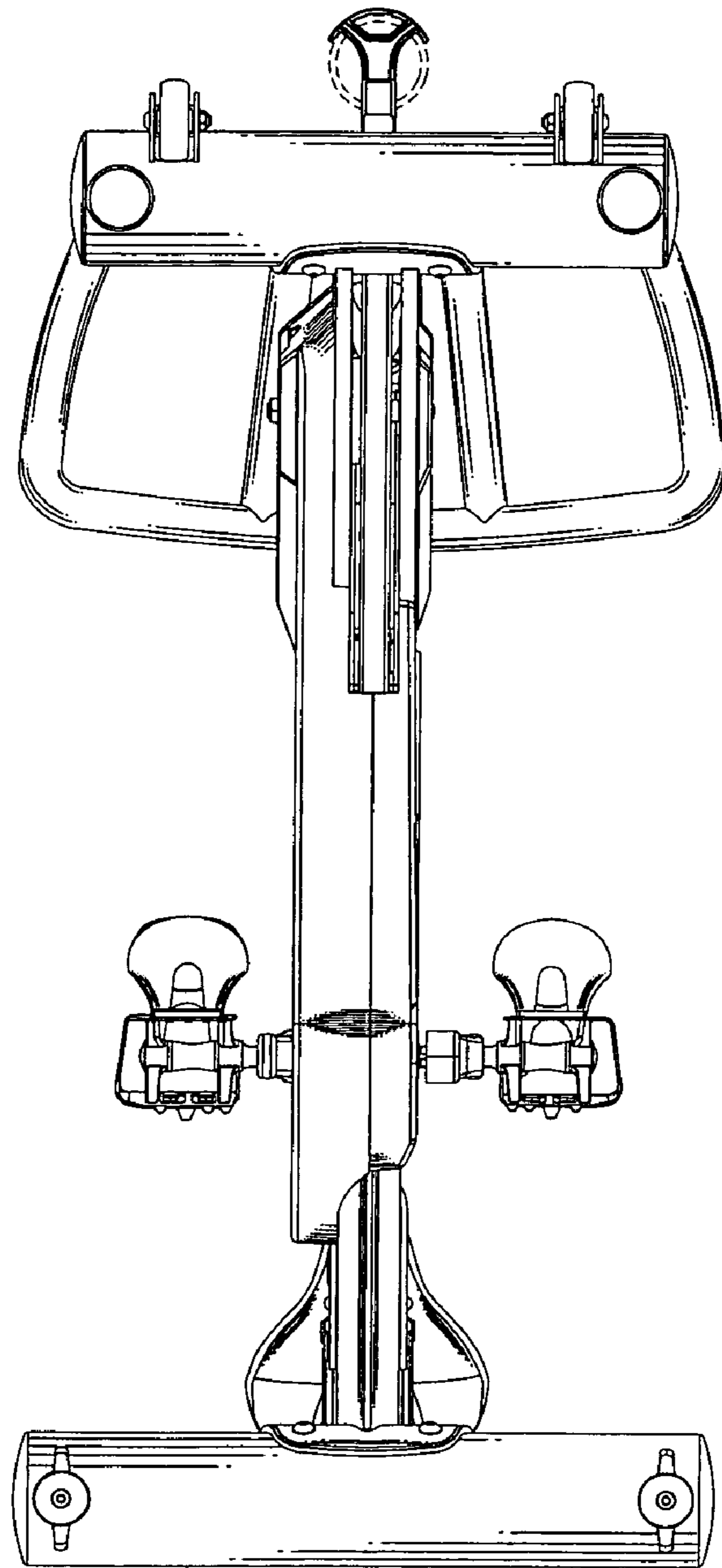


FIG.7