



(12) **United States Design Patent**
Schluger

(10) **Patent No.:** **US D625,757 S**
(45) **Date of Patent:** **** Oct. 19, 2010**

(54) **MAILING ENVELOPE**

(76) Inventor: **Allen Schluger**, 21 W. 68th St., New York, NY (US) 10023

(**) Term: **14 Years**

(21) Appl. No.: **29/316,369**

(22) Filed: **Sep. 21, 2009**

(51) **LOC (9) Cl.** **19-01**

(52) **U.S. Cl.** **D19/3**

(58) **Field of Classification Search** D19/1-8,
D19/75, 86, 100; 229/67.4, 928, 307, 92,
229/92.1, 67.3, 68.1, 76, 92.8, 309; 206/449,
206/424; 462/64-65; 40/672, 124.06, 124.11;
D3/303, 227; 383/61.1, 84; 283/72, 74,
283/75, 103, 105-106

See application file for complete search history.

(56) **References Cited**

U.S. PATENT DOCUMENTS

D314,790 S * 2/1991 Hager D19/3
5,092,513 A * 3/1992 Arbonies 229/68.1
D339,604 S * 9/1993 Gerber-Phinny D19/3
D342,445 S * 12/1993 Brewer D19/3
D379,198 S * 5/1997 Dowda D19/3
D405,823 S * 2/1999 Schluger D19/3

D451,131 S * 11/2001 Okah Chegwe-Akigbe ... D19/3
D545,360 S * 6/2007 Schluger D19/3
D590,440 S * 4/2009 Taute et al. D19/3
D591,341 S * 4/2009 Fagan D19/3

* cited by examiner

Primary Examiner—Ian Simmons

Assistant Examiner—Abraham Bahta

(74) *Attorney, Agent, or Firm*—Myron Amer PC

(57) **CLAIM**

The ornamental design for a mailing envelope, as shown and described.

DESCRIPTION

FIG. 1 is a front perspective view of a mailing envelope showing my new design;

FIG. 2 is a rear perspective view thereof;

FIG. 3 is a front elevational view thereof;

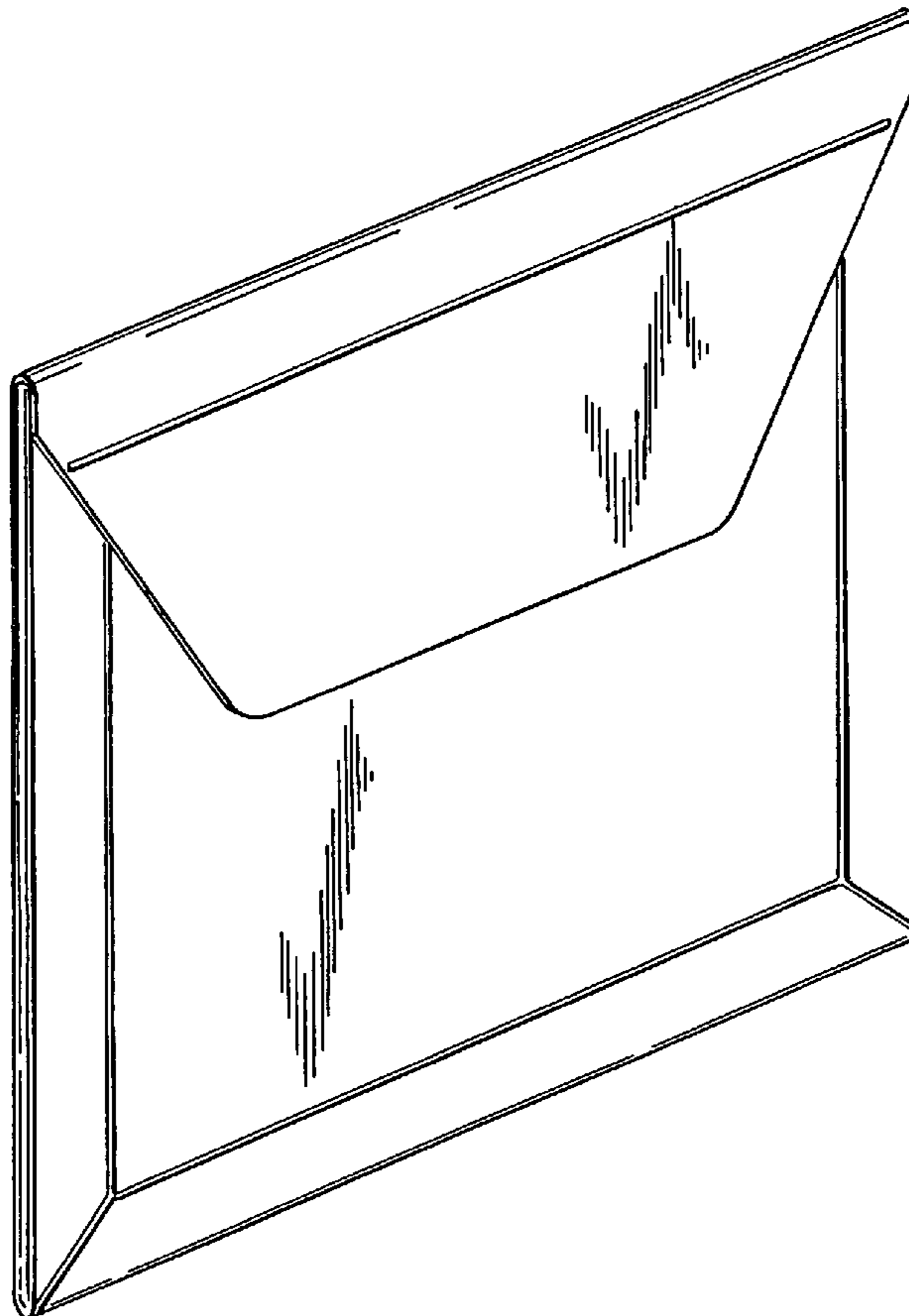
FIG. 4 is a right side elevational view thereof, of which the left side elevational view is a mirror image thereof;

FIG. 5 is a rear elevational view thereof;

FIG. 6 is a bottom elevational view thereof; and,

FIG. 7 is a top elevational view thereof.

1 Claim, 4 Drawing Sheets



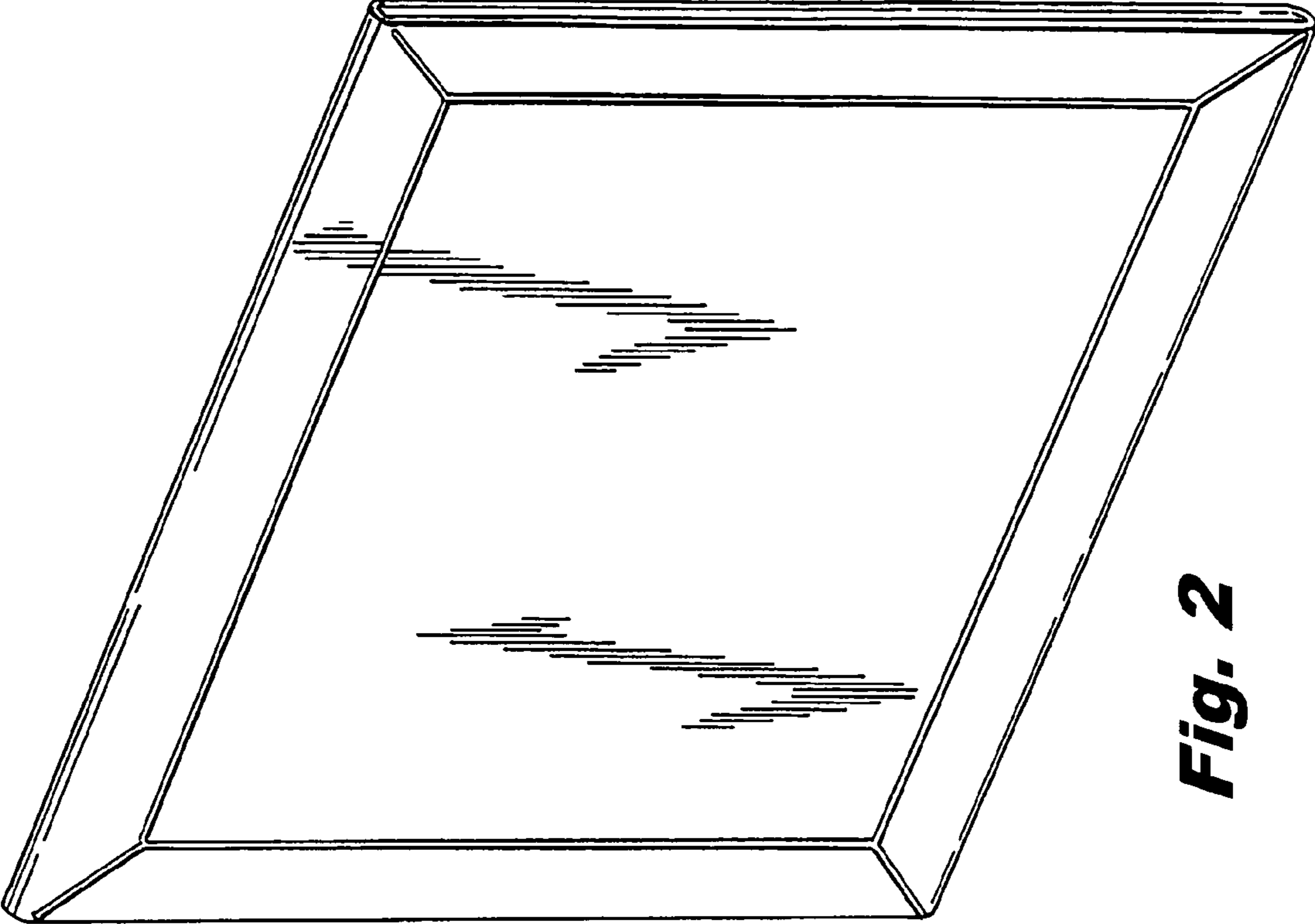


Fig. 2

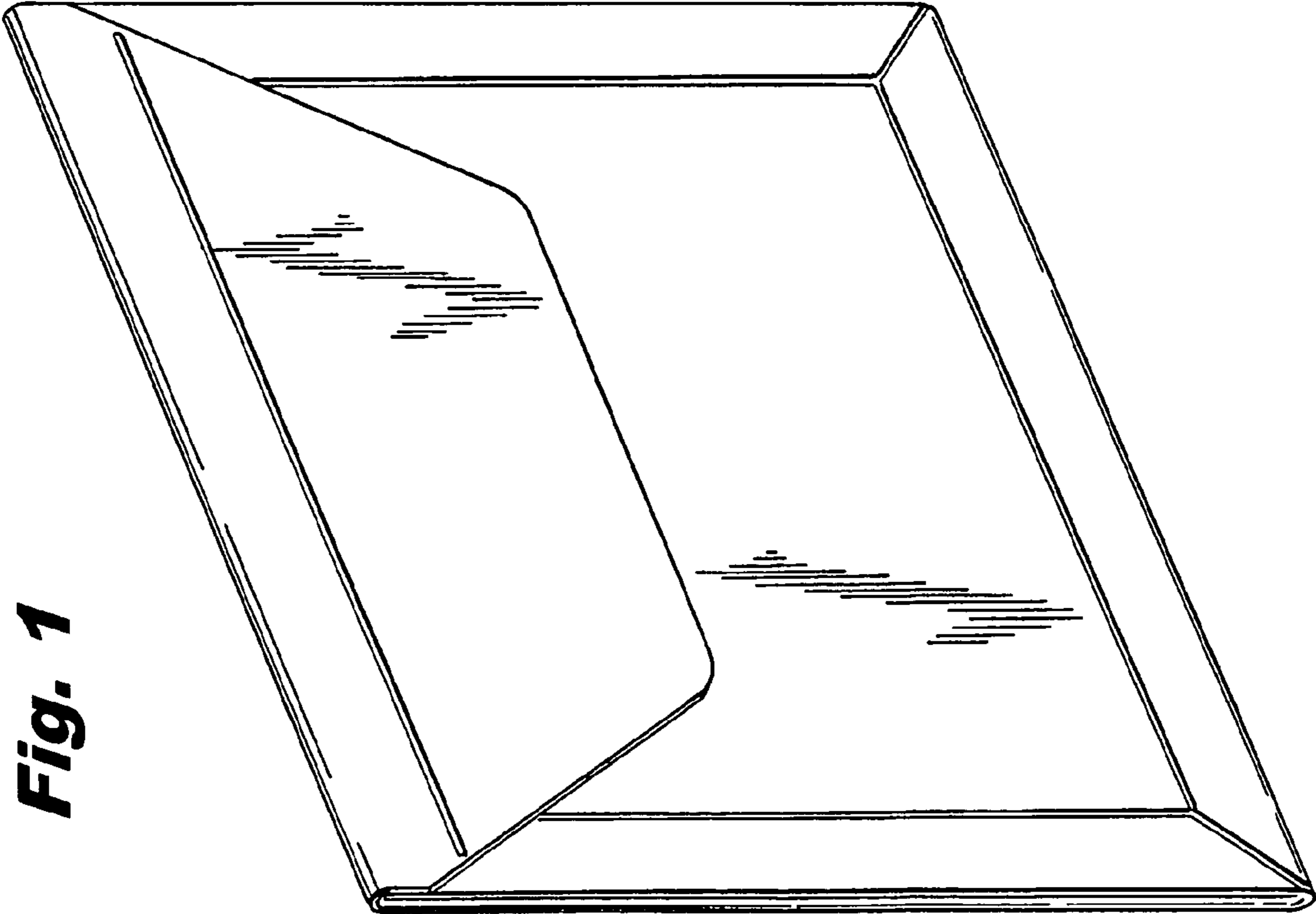


Fig. 1

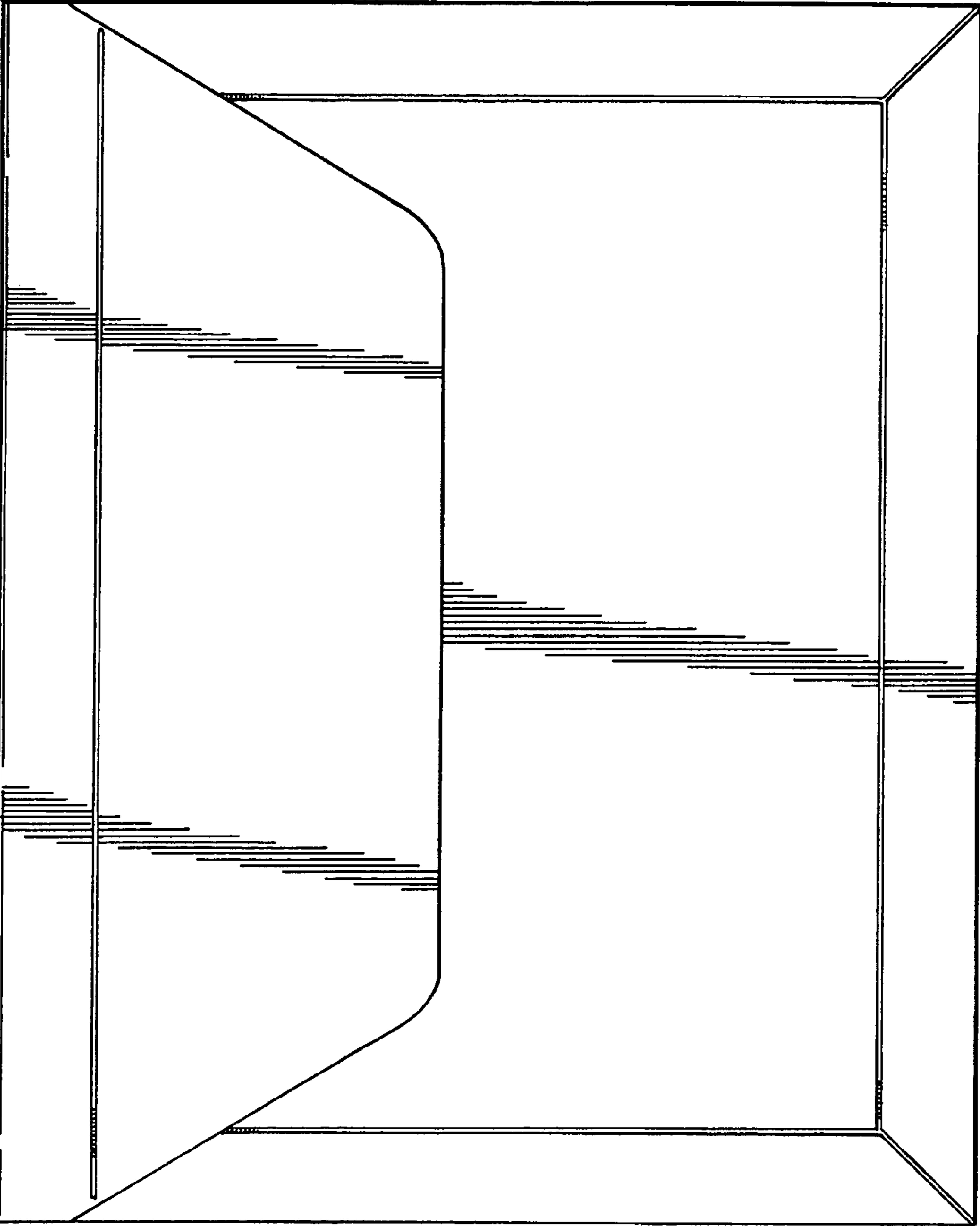


Fig. 3

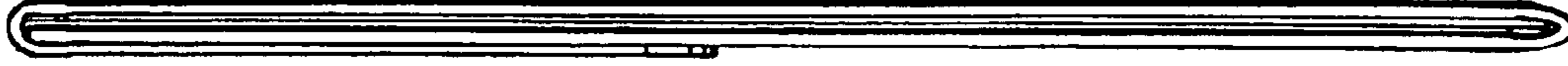


Fig. 4

Fig. 5

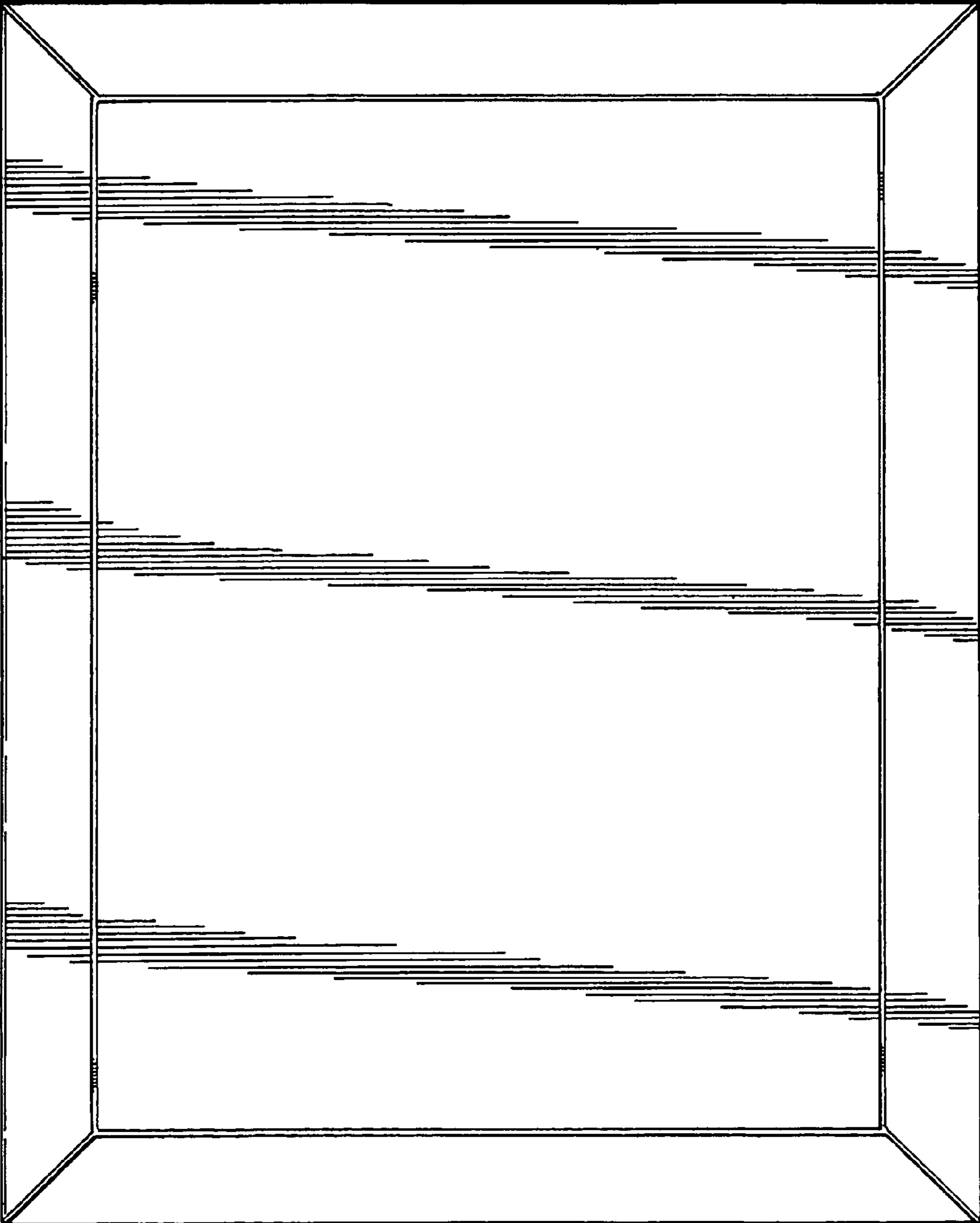




Fig. 6



Fig. 7