



US00D625756S

(12) **United States Design Patent**  
**Penke et al.**

(10) **Patent No.:** **US D625,756 S**  
(45) **Date of Patent:** **\*\* Oct. 19, 2010**

(54) **DIGITAL PRESS**

(75) Inventors: **Mark S Penke**, West Henrietta, NY (US); **Donald A Brown**, Honeoye Falls, NY (US); **William T Clark, III**, Pittsford, NY (US)

(73) Assignee: **Xerox Corporation**, Norwalk, CT (US)

(\*\*) Term: **14 Years**

(21) Appl. No.: **29/318,774**

(22) Filed: **May 28, 2008**

(51) **LOC (9) Cl.** ..... **18-02**

(52) **U.S. Cl.** ..... **D18/53; D18/39**

(58) **Field of Classification Search** ..... D18/36-41, D18/44-56; 222/DIG. 1; 271/3.14, 8.1, 271/226, 278; 355/97, 98; 358/1.1; 399/1-7, 399/16, 75, 81, 107, 130, 155, 361, 365, 399/381-383, 388

See application file for complete search history.

(56) **References Cited**

**U.S. PATENT DOCUMENTS**

- D258,446 S \* 3/1981 Beehler et al. .... D18/38
- D312,267 S \* 11/1990 Biggs et al. .... D18/39
- D312,653 S \* 12/1990 Nakamura et al. .... D18/37
- D331,772 S \* 12/1992 Suzuki et al. .... D18/38

- D431,592 S \* 10/2000 Takenouchi et al. .... D18/39
- D450,750 S \* 11/2001 Sasaki ..... D18/39
- D508,259 S \* 8/2005 Rieck et al. .... D18/39
- D550,761 S \* 9/2007 Clark, III ..... D18/39
- 2007/0253009 A1 \* 11/2007 Horn et al. .... 358/1.9

\* cited by examiner

*Primary Examiner*—Garth Rademaker

(74) *Attorney, Agent, or Firm*—Tallam I. Nguti

(57) **CLAIM**

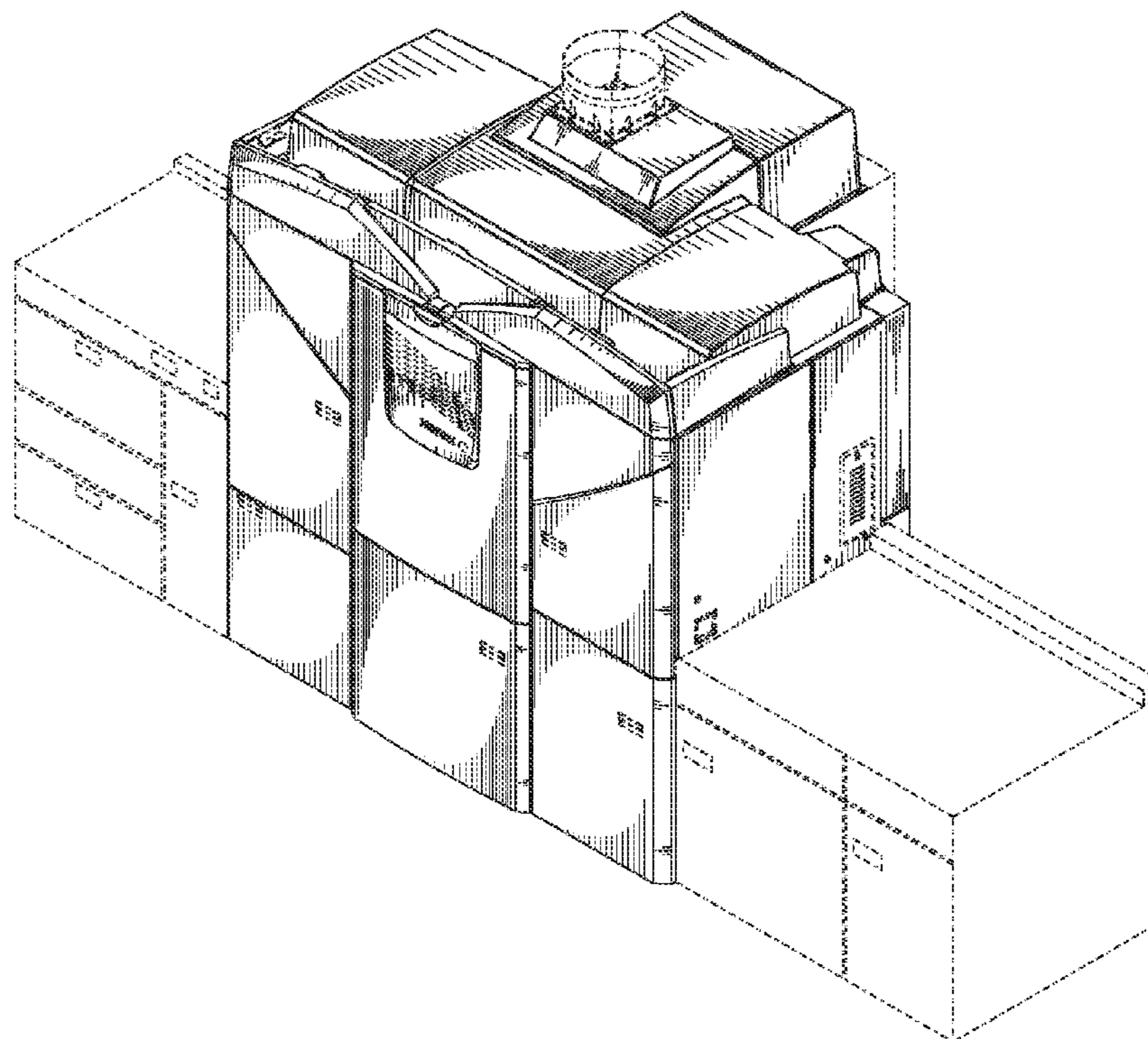
The ornamental design for a digital press, as shown and described.

**DESCRIPTION**

FIG. 1 is a perspective view of a digital press showing the ornamental design in accordance with the present invention; FIG. 2 is a front view thereof; FIG. 3 is a right side view thereof; FIG. 4 is a rear view thereof; FIG. 5 is a left side view thereof; FIG. 6 is a top plan view thereof; and, FIG. 7 is a bottom plan view thereof.

The broken lines depict environmental subject matter only and form no part of the claimed design.

**1 Claim, 7 Drawing Sheets**



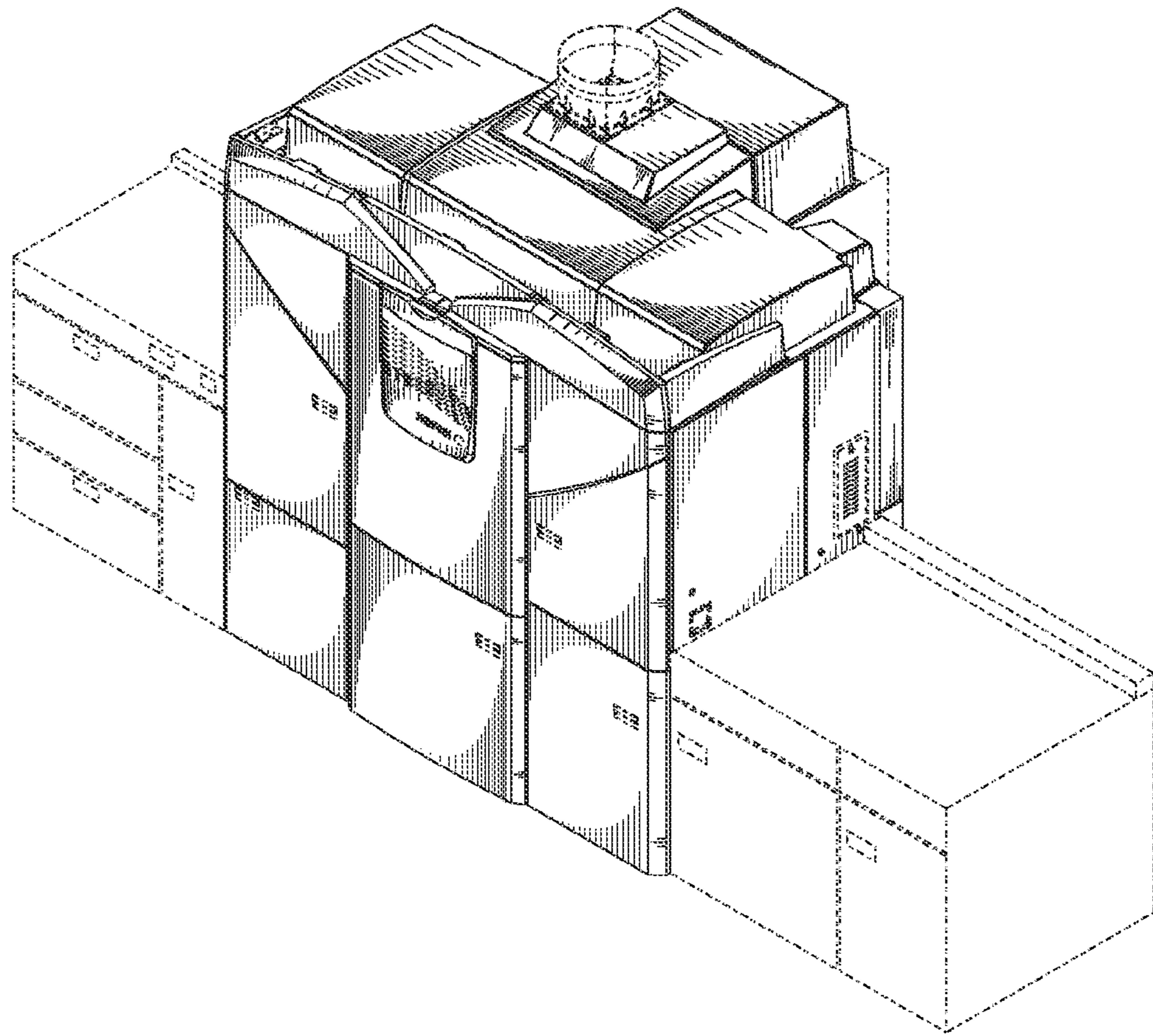


FIG. 1

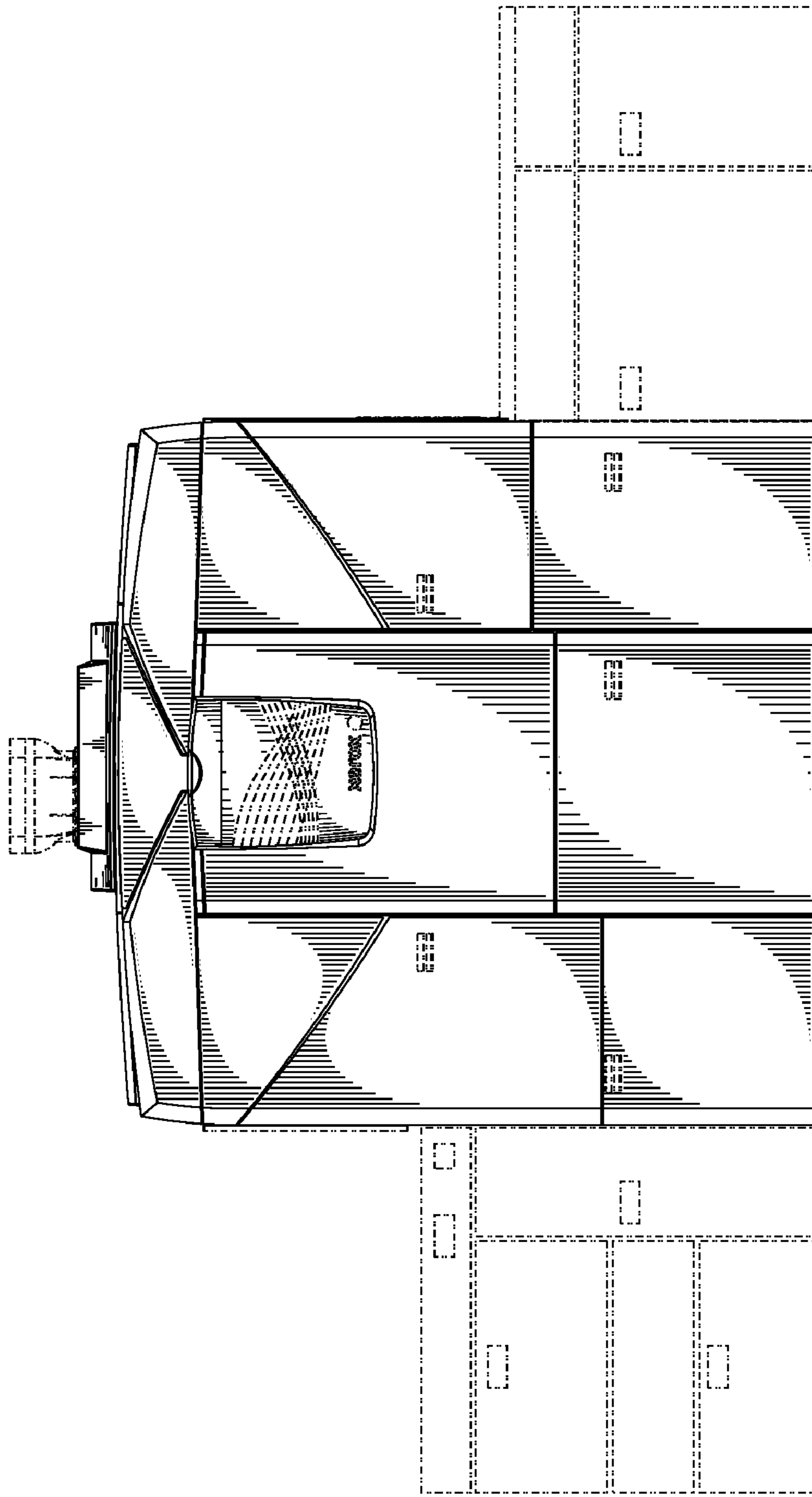
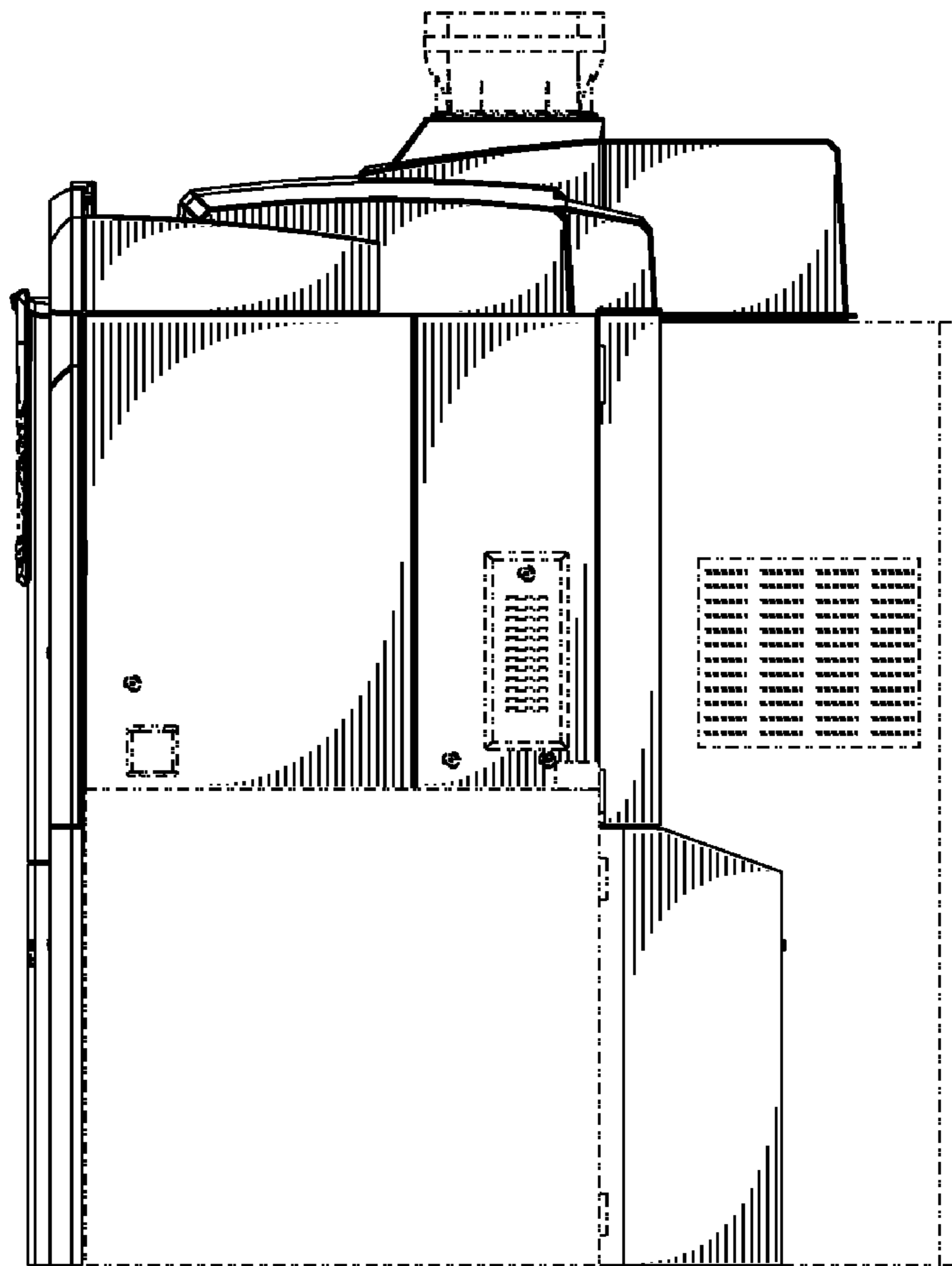


FIG. 2



**FIG. 3**

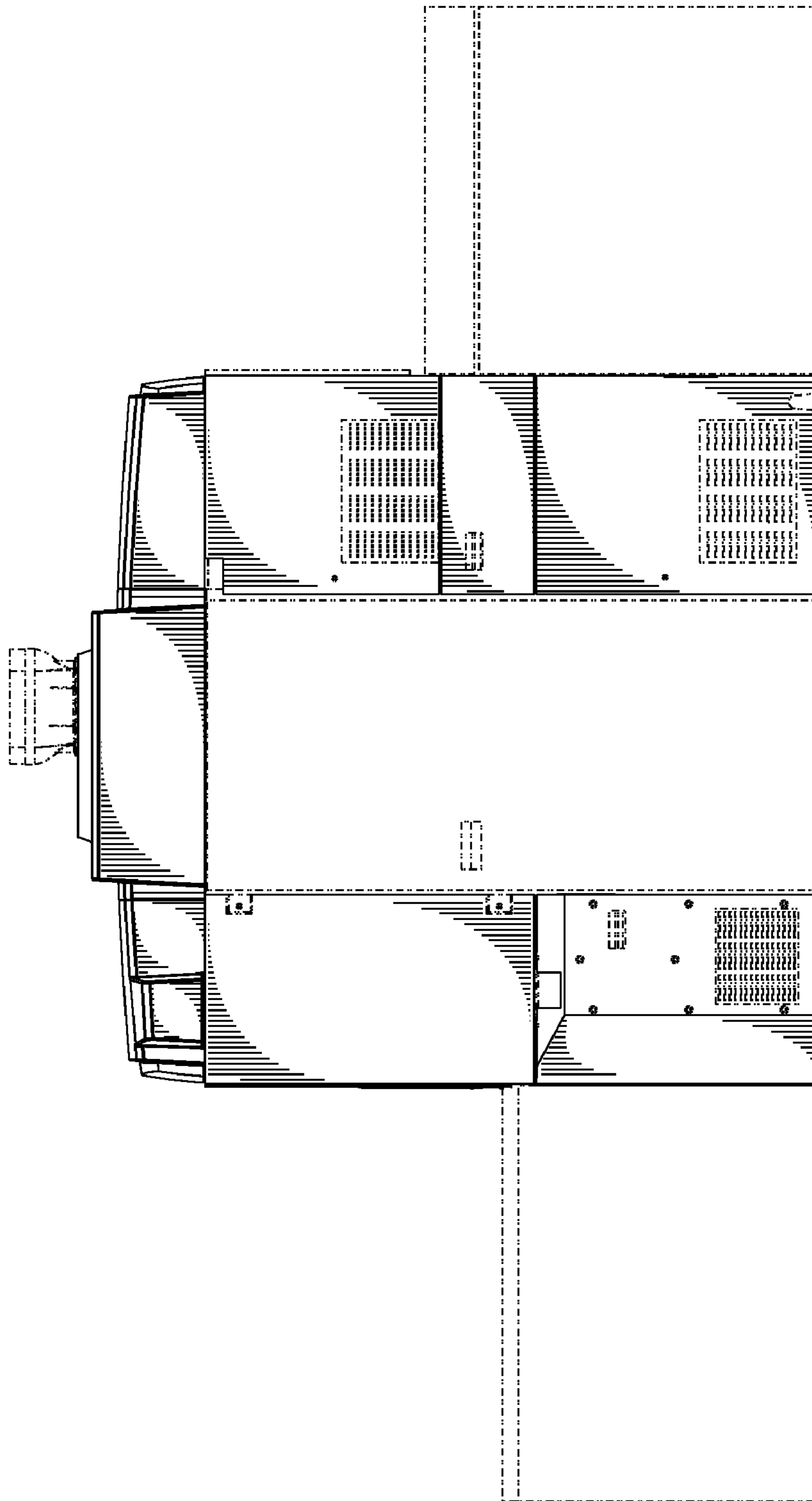
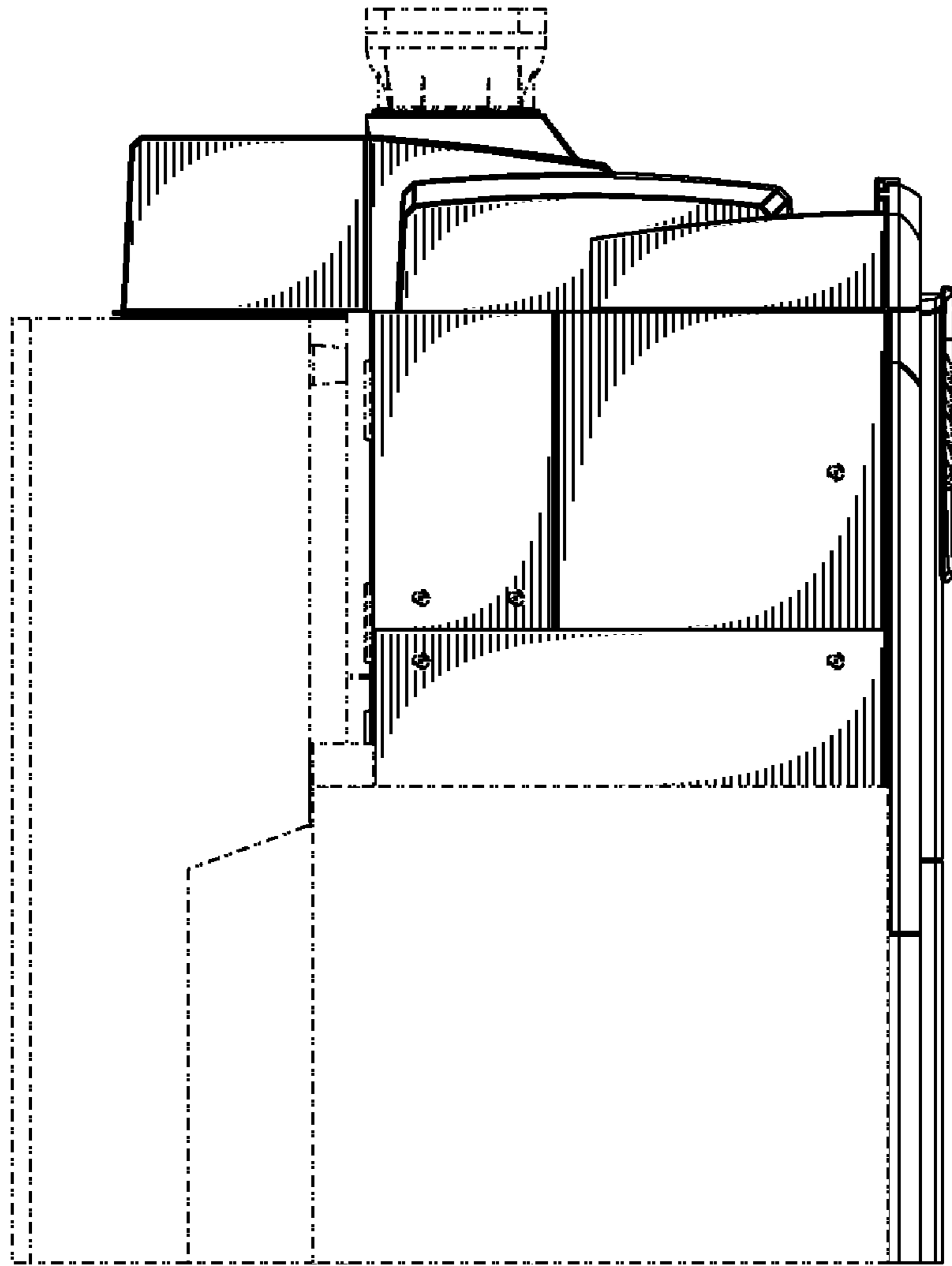


FIG. 4





**FIG. 5**

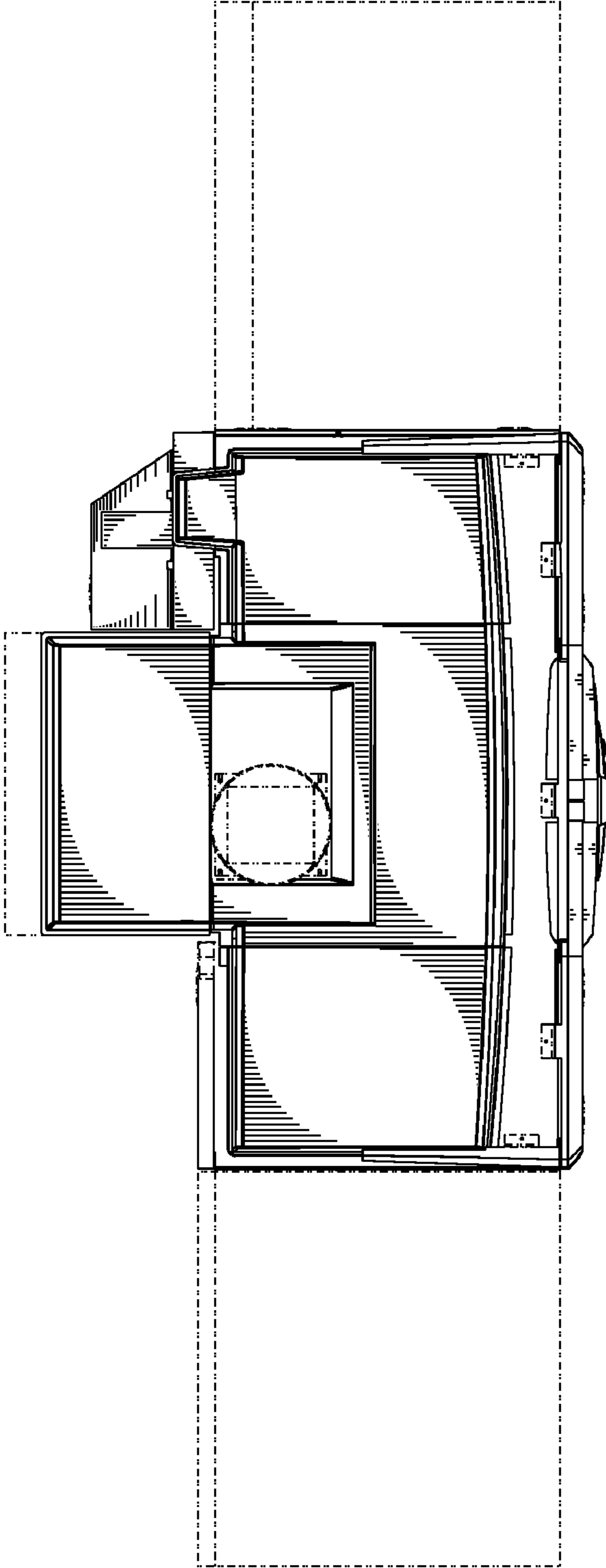


FIG. 6

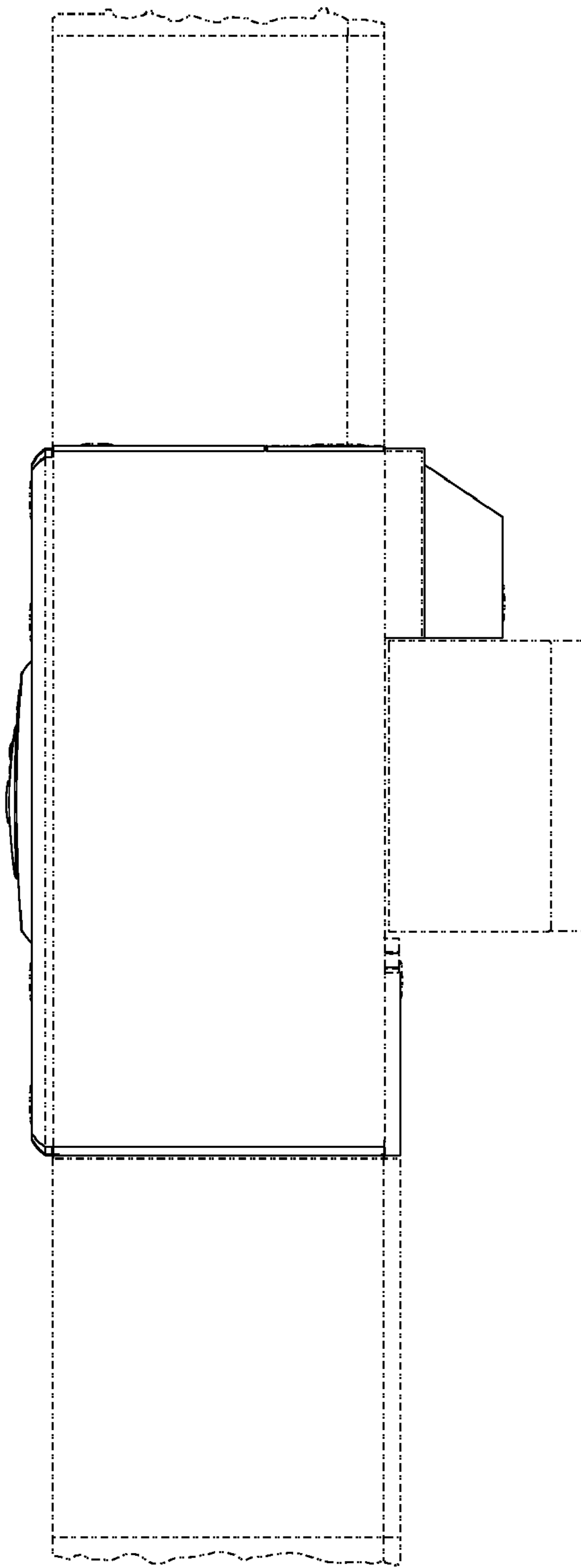


FIG. 7