



US00D625755S

(12) **United States Design Patent**  
**Park et al.**

(10) **Patent No.:** **US D625,755 S**  
(45) **Date of Patent:** **\*\* Oct. 19, 2010**

(54) **TONER CARTRIDGE**

(75) Inventors: **Gyeong-Sun Park**, Seoul (KR); **Yun-Gi Hong**, Kyunggi-do (KR); **Bong-Uk Lim**, Kyunggi-do (KR)

(73) Assignee: **Samsung Electronics Co., Ltd.**, Kyunggi-do (KR)

(\*\*) Term: **14 Years**

(21) Appl. No.: **29/313,632**

(22) Filed: **Jan. 27, 2009**

(51) **LOC (9) Cl.** ..... **16-03**

(52) **U.S. Cl.** ..... **D18/43**

(58) **Field of Classification Search** ..... D14/471;  
D18/12, 36, 40, 43, 44, 56; 222/DIG. 1;  
347/197, 222; 399/24-28, 107-112, 119,  
399/121, 122, 222-224

See application file for complete search history.

(56) **References Cited**

**U.S. PATENT DOCUMENTS**

D365,846 S *	1/1996	Nishimura	.....	D18/43
D378,830 S	4/1997	Kim		
D459,387 S *	6/2002	Tanda	.....	D18/43
D464,671 S *	10/2002	Tanda	.....	D18/43
D538,850 S	3/2007	Choi et al.		
D539,335 S	3/2007	Jeon et al.		
D544,528 S	6/2007	Kim		
D546,382 S	7/2007	Noh et al.		
D547,368 S	7/2007	Han		
D551,286 S	9/2007	Han		
D555,193 S	11/2007	Choi		
D559,902 S	1/2008	Park et al.		
D570,403 S	6/2008	Park et al.		
D577,061 S	9/2008	Kim		
D580,485 S	11/2008	Park et al.		
D581,975 S	12/2008	Park et al.		
D582,473 S	12/2008	Park et al.		

D583,862 S	12/2008	Park et al.		
D584,343 S	1/2009	Kwon		
D584,345 S	1/2009	Choi et al.		
D584,765 S	1/2009	Park et al.		
D586,847 S	2/2009	Han		
D587,303 S	2/2009	Park		
D598,049 S *	8/2009	Park	.....	D18/43

**OTHER PUBLICATIONS**

U.S. Appl. No. 29/294,096, Applicant: Myoung-Su Baek, et al., filed Dec. 21, 2007 entitled Cartridge for Image Developing Device.

U.S. Appl. No. 29/308,015, Applicant: Joo-Hwan Noh, et al., filed May 22, 2008 entitled Developing Device for Printer.

U.S. Appl. No. 29/308,009, Applicant: Sung-Joo Kim, filed May 22, 2008 entitled Toner Cartridge.

(Continued)

*Primary Examiner*—Garth Rademaker

(74) *Attorney, Agent, or Firm*—Flynn, Thiel, Boutell & Tanis, P.C.

(57) **CLAIM**

The ornamental design for a toner cartridge, as shown and described.

**DESCRIPTION**

FIG. 1 is a top front perspective view of a toner cartridge showing our new design;

FIG. 2 is a front elevational view thereof;

FIG. 3 is a rear elevational view thereof;

FIG. 4 is a left side elevational view thereof;

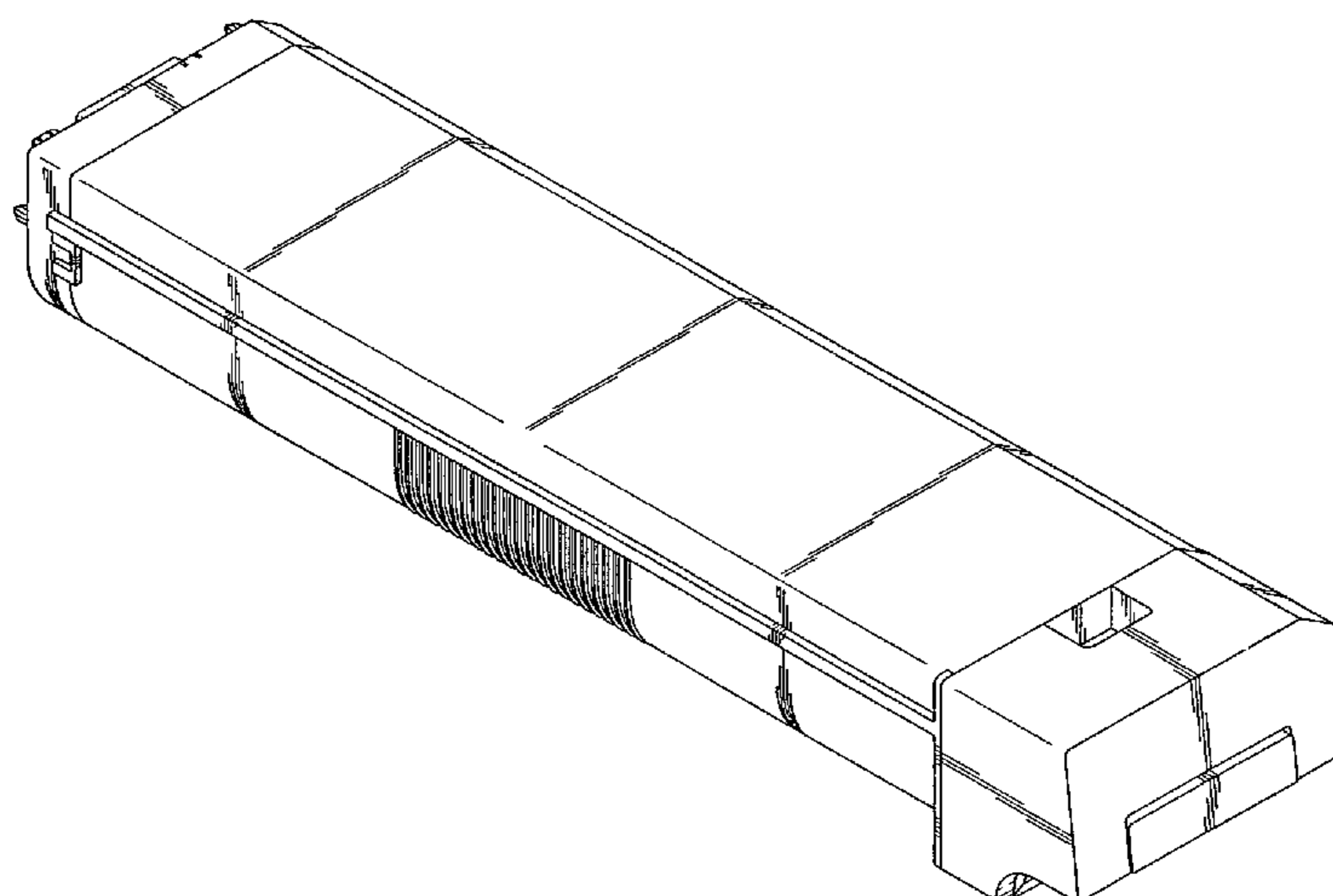
FIG. 5 is a right side elevational view thereof;

FIG. 6 is a top plan view thereof; and,

FIG. 7 is a bottom plan view thereof.

The broken lines are for illustrative purposes only and form no part of the claimed design.

**1 Claim, 3 Drawing Sheets**



OTHER PUBLICATIONS

U.S. Appl. No. 29/308,008, Applicant: Jong-Hwa park, filed May 22, 2008 entitled Toner Cartridge.

U.S. Appl. No. 29/308,024, Applicant: In-Cheol Jeon, et al., filed May 22, 2008 entitled Developing Device for Color Laser Printer.

U.S. Appl. No. 29/308,014, Applicant: Dae-Ho Kim, filed May 22, 2008 entitled Developing Device for Color Laser Printer.

U.S. Appl. No. 29/313,190, Applicant: Seung-Gweon Lee, et al., filed Dec. 12, 2008 entitled Developing Device for a Color Printer.

U.S. Appl. No. 29/313,634, Applicant: Gyeong-Sun Park, et al., filed Jan. 27, 2009 entitled Toner Cartridge for Printer.

U.S. Appl. No. 29/313,635, Applicant: Gyeong-Sun Park, et al., filed Jan. 27, 2009 entitled Development Device for Printer.

U.S. Appl. No. 29/313,631, Applicant: Gyeong-Sun Park, et al., filed Jan. 27, 2009 entitled Toner Cartridge.

U.S. Appl. No. 29/313,633, Applicant: Gyeong-Sun Park, et al., filed Jan. 27, 2009 entitled Toner Cartridge.

\* cited by examiner

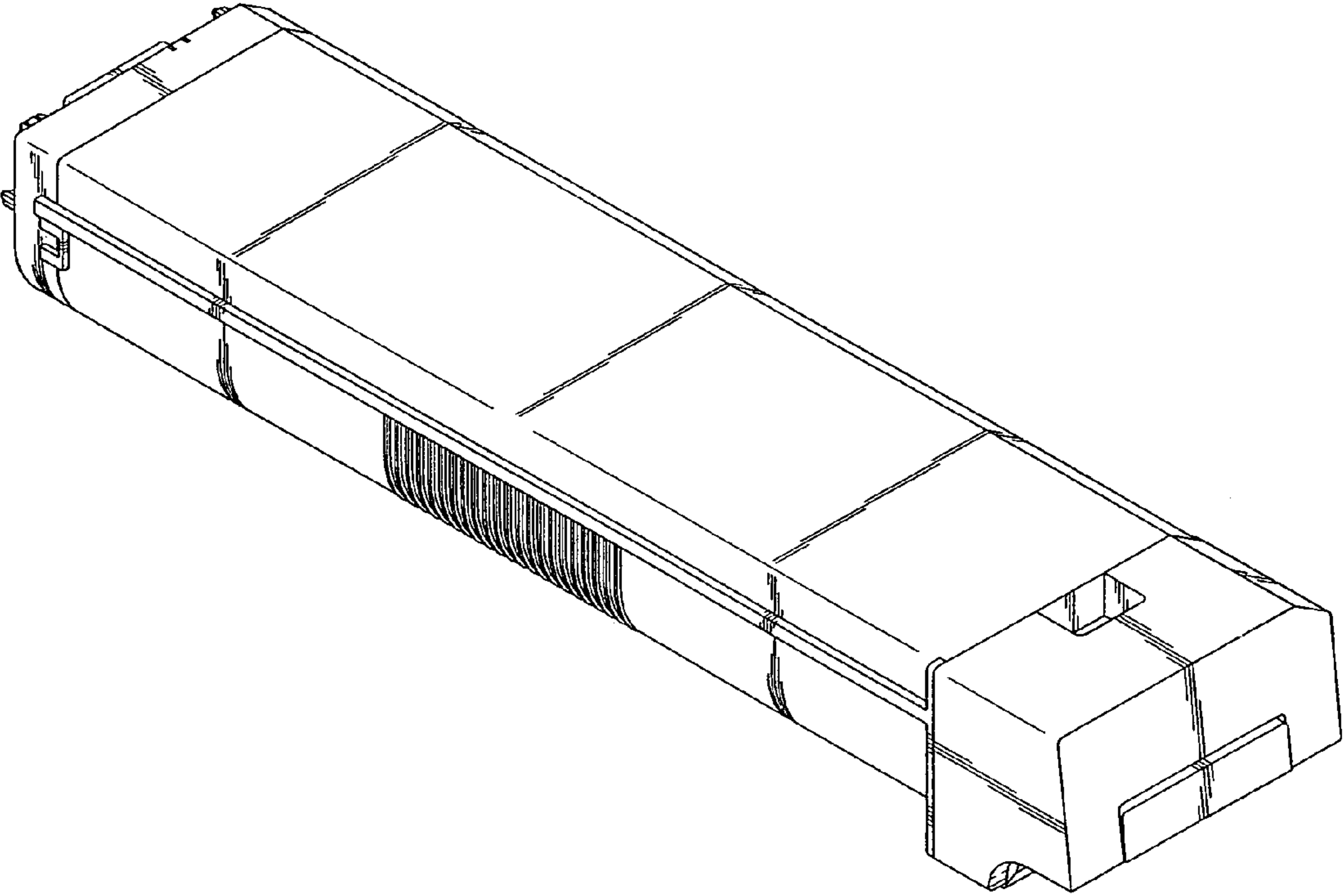


FIG.1

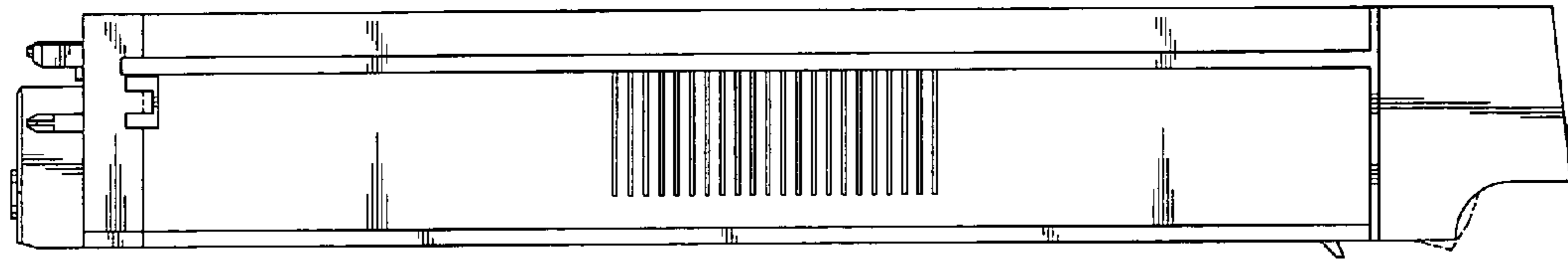


FIG. 2

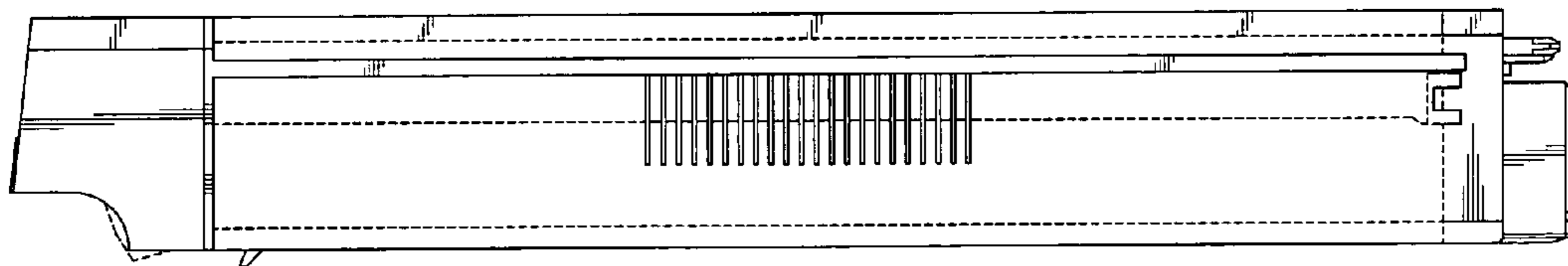


FIG. 3

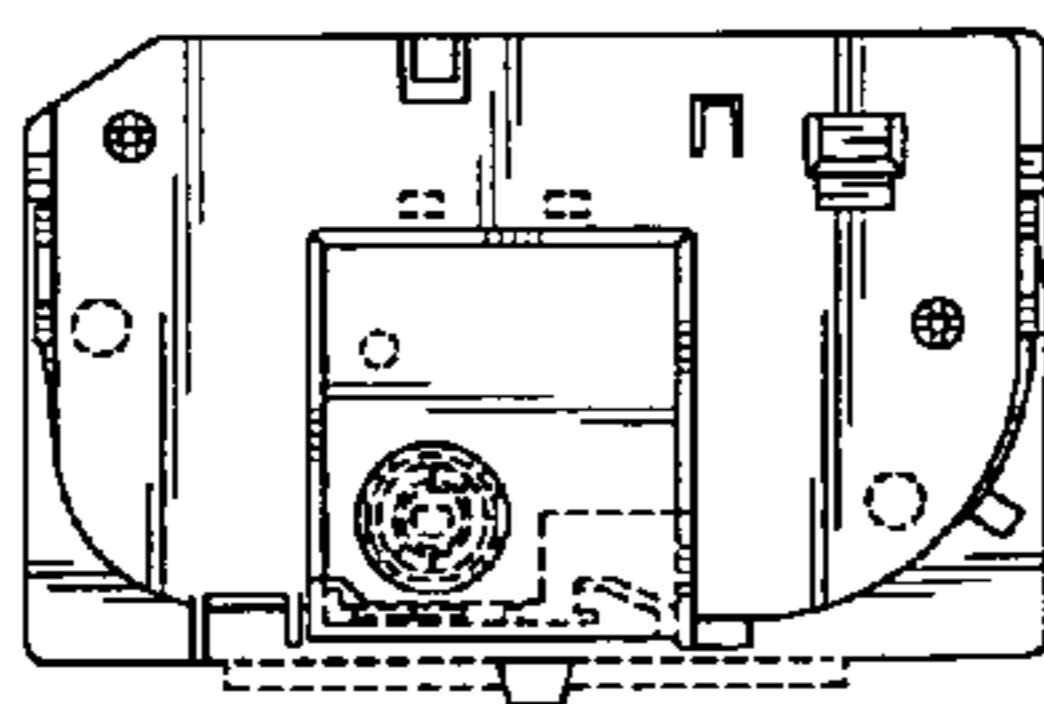


FIG. 4

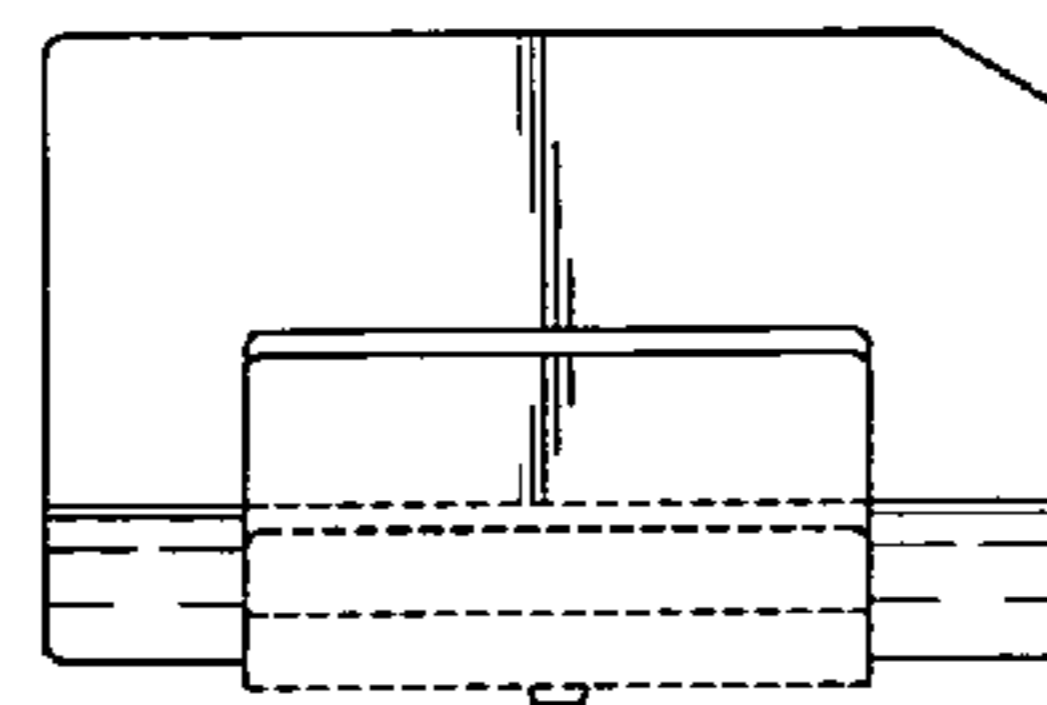


FIG. 5

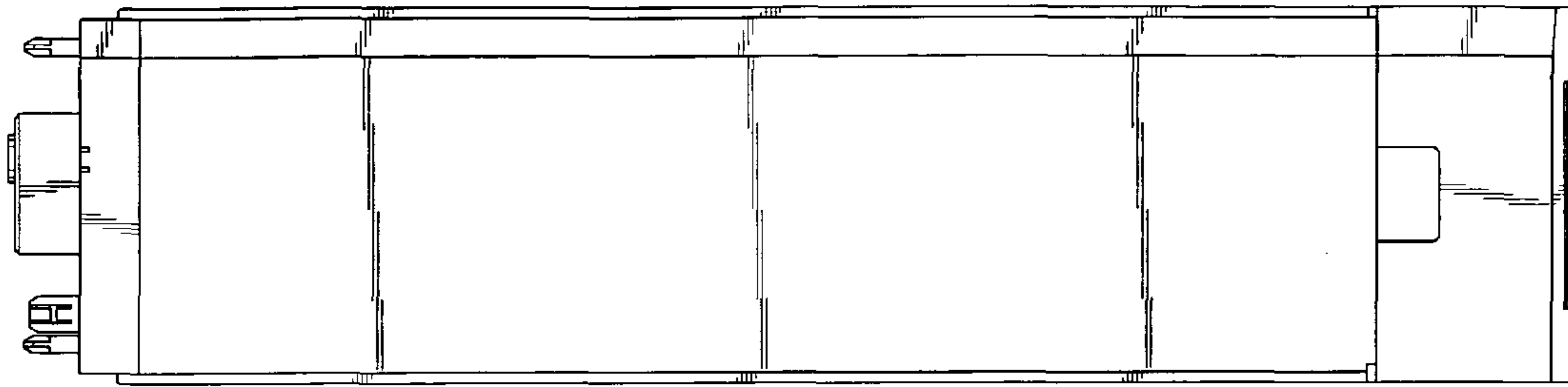


FIG. 6

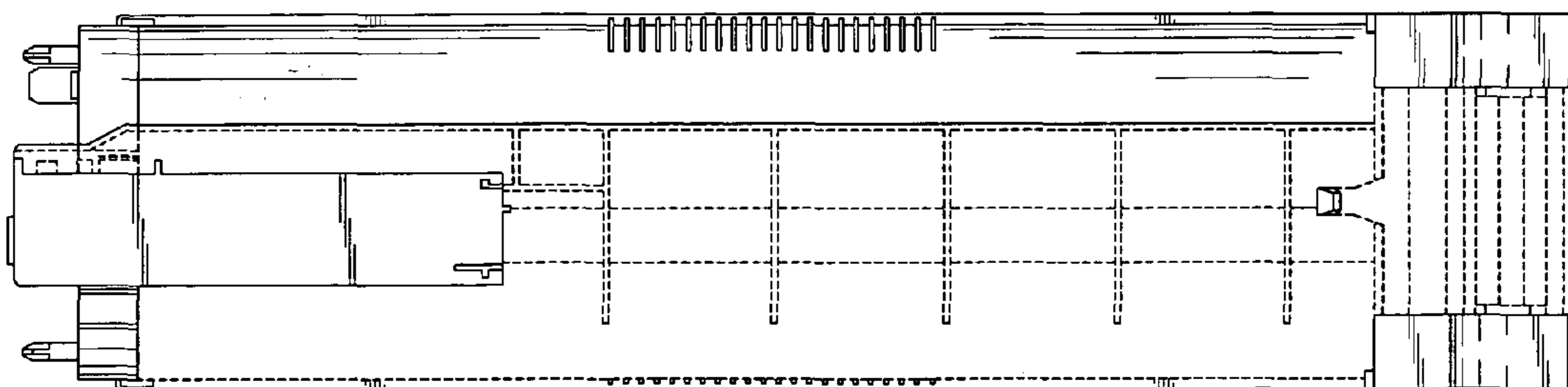


FIG. 7