



US00D625750S

(12) **United States Design Patent**
Dittmer

(10) **Patent No.:** **US D625,750 S**
(45) **Date of Patent:** **** Oct. 19, 2010**

(54) **PROJECTOR MOUNT**

(75) Inventor: **Jay Dittmer**, Prior Lake, MN (US)

(73) Assignee: **Milestone AV Technologies LLC**,
Savage, MN (US)

(**) Term: **14 Years**

(21) Appl. No.: **29/335,374**

(22) Filed: **Apr. 14, 2009**

(51) **LOC (9) Cl.** **16-02**

(52) **U.S. Cl.** **D16/235; D16/242**

(58) **Field of Classification Search** D16/235,
D16/242, 245; D14/238, 224, 214; D8/363,
D8/373, 383, 387; 343/882, 888, 878; 248/317,
248/674, 917, 924, 343, 342, 323, 212.11,
248/222.12, 126, 274.1, 514, 515, 516, 518,
248/519, 523, 527

See application file for complete search history.

(56) **References Cited**

U.S. PATENT DOCUMENTS

6,042,068	A	3/2000	Tcherny	
D480,100	S	9/2003	Lam	
7,156,359	B2	1/2007	Dittmer et al.	
7,259,727	B2 *	8/2007	Chan	343/888
D570,394	S *	6/2008	Dittmer et al.	D16/235
D574,407	S *	8/2008	Dittmer et al.	D16/235
7,481,410	B2	1/2009	Umberg	
7,497,412	B2 *	3/2009	Dittmer et al.	248/514
2005/0035253	A1 *	2/2005	Rixom	248/917
2007/0034764	A1 *	2/2007	Dittmer et al.	248/343
2007/0257181	A1 *	11/2007	Dittmer et al.	248/637

OTHER PUBLICATIONS

U.S. Appl. No. 29/335,377, filed Apr. 14, 2009, Dittmer.
File History for U.S. Appl. No. 29/335,377, filed Apr. 14, 2009, 18
Pgs.
Chief Full Line Catalog dated Jun. 2006, 13 Pgs.

* cited by examiner

Primary Examiner—Ian Simmons

Assistant Examiner—Wan Laymon

(74) *Attorney, Agent, or Firm*—Patterson Thuent
Christensen Pedersen, P.A.

(57) **CLAIM**

The ornamental design for a projector mount, as shown and
described.

DESCRIPTION

FIG. 1 is a front perspective view of a projector mount accord-
ing to the invention;

FIG. 2 is a front elevation view of the projector mount
depicted in FIG. 1;

FIG. 3 is a side elevation view of the projector mount depicted
in FIG. 1;

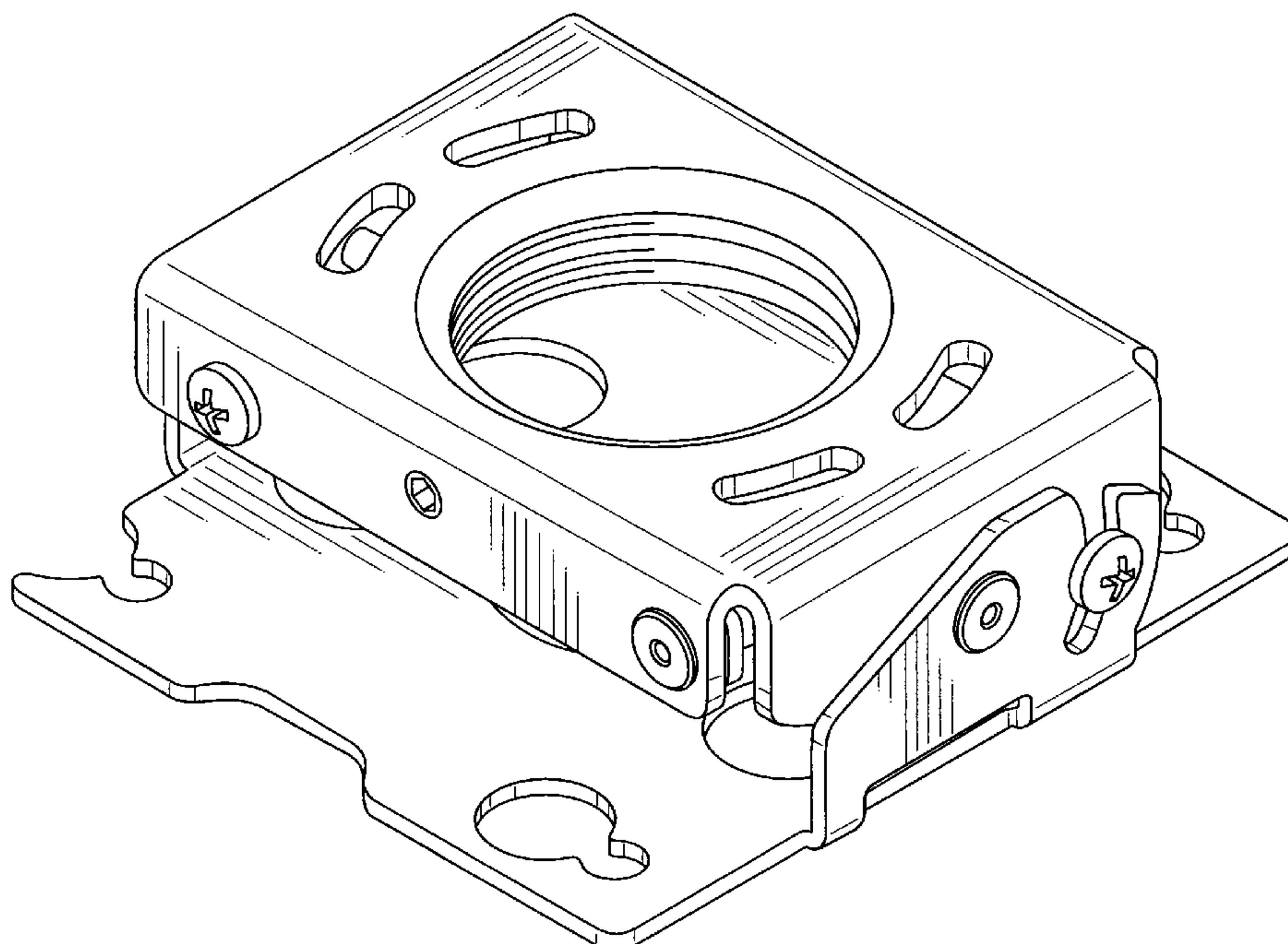
FIG. 4 is an opposing side elevation view of the projector
mount depicted in FIG. 1;

FIG. 5 is a rear elevation view of the projector mount depicted
in FIG. 1;

FIG. 6 is a top plan view of the projector mount depicted in
FIG. 1; and,

FIG. 7 is a bottom plan view of the projector mount depicted
in FIG. 1.

1 Claim, 7 Drawing Sheets



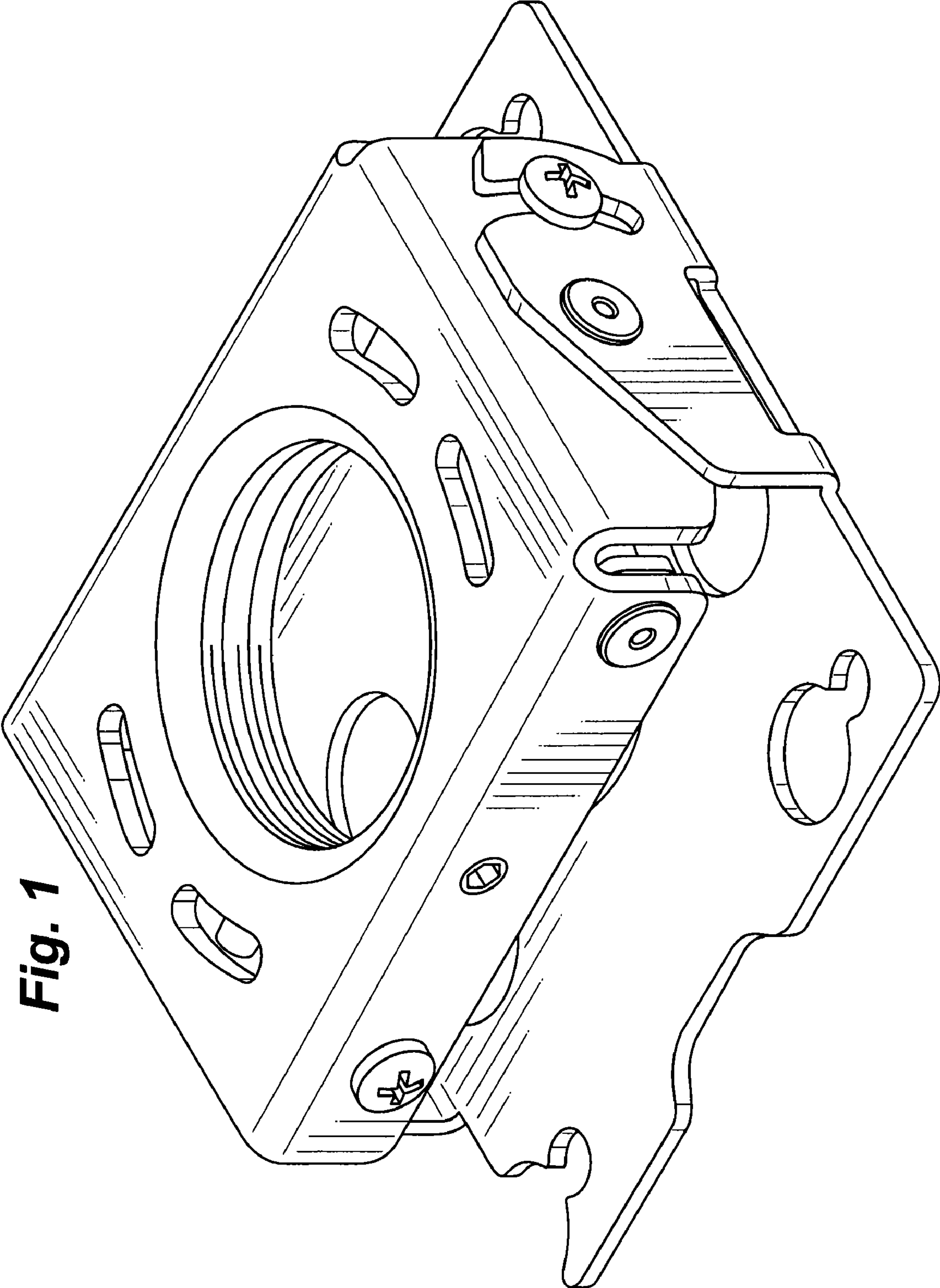


Fig. 1

Fig. 2

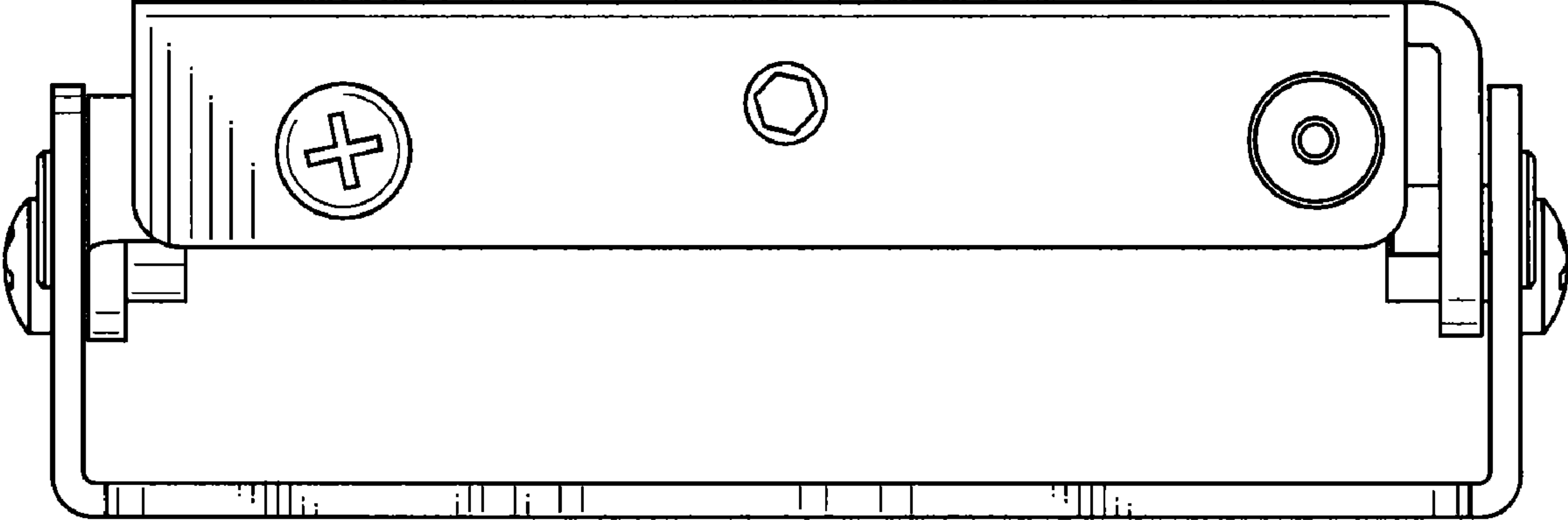


Fig. 3

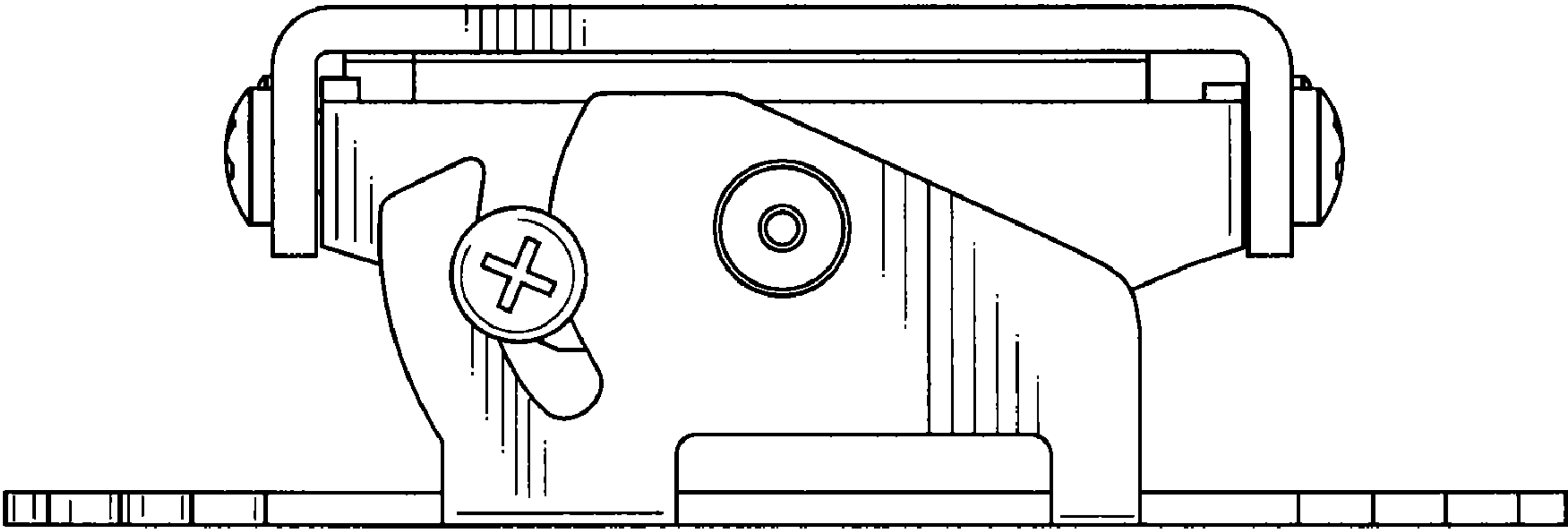


Fig. 4

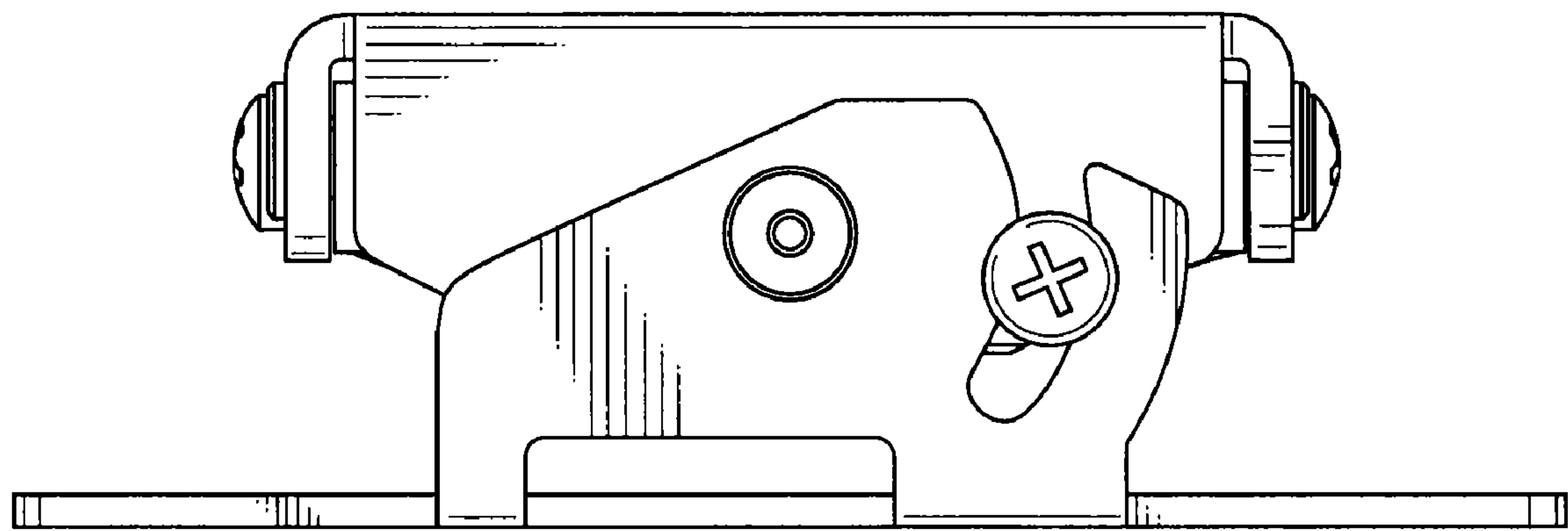


Fig. 5



Fig. 6

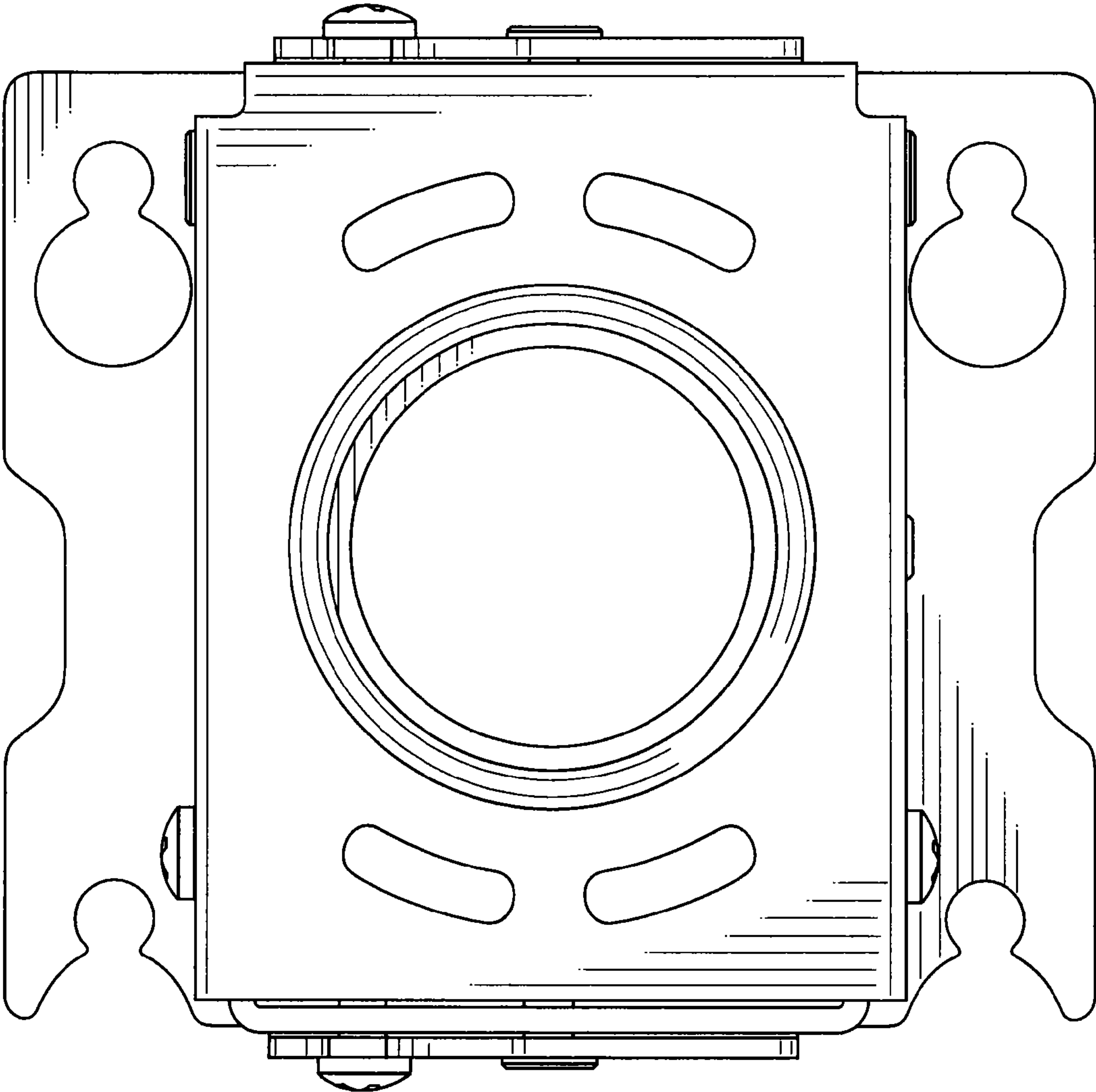


Fig. 7

