



US00D625748S

(12) **United States Design Patent**  
**Yoshino**

(10) **Patent No.:** **US D625,748 S**  
(45) **Date of Patent:** **\*\* Oct. 19, 2010**

(54) **VACUUM TRANSFER ROBOT**

2005/0217053 A1\* 10/2005 Kim et al. .... 15/250.21

(75) Inventor: **Takahiro Yoshino**, Kanagawa (JP)

(Continued)

(73) Assignee: **Ulvac, Inc.**, Kanagawa (JP)

*Primary Examiner*—Patricia Palasik  
(74) *Attorney, Agent, or Firm*—Harness Dickey & Pierce, PLC

(\*\*) Term: **14 Years**

(21) Appl. No.: **29/361,136**

(57) **CLAIM**

(22) Filed: **May 6, 2010**

The ornamental design for a vacuum transfer robot, as shown and described.

(51) **LOC (9) Cl.** ..... **15-99**

(52) **U.S. Cl.** ..... **D15/199; D13/182**

(58) **Field of Classification Search** ..... D13/182;  
D15/199; 74/479.01, 490.01, 490.05; 134/110;  
198/346.2; 361/234; 396/611; 414/217,  
414/331.15, 411, 416.03, 744.1, 744.2, 744.3,  
414/744.5, 935, 937, 939, 941; 438/14  
See application file for complete search history.

**DESCRIPTION**

FIG. 1 is a front, top and right side perspective view of a vacuum transfer robot showing our new design with all arms in a folded state;

FIG. 2 is a front elevational view thereof shown in FIG. 1;

FIG. 3 is a rear elevational view thereof shown in FIG. 1;

FIG. 4 is a top plan view thereof shown in FIG. 1;

FIG. 5 is a bottom plan view thereof shown in FIG. 1;

FIG. 6 is a right side elevational view thereof shown in FIG. 1;

FIG. 7 is a left side elevational view thereof shown in FIG. 1;

FIG. 8 is a front, top and right side perspective view of the vacuum transfer robot with the upper arms in an extended state;

FIG. 9 is a front elevational view thereof shown in FIG. 8;

FIG. 10 is a rear elevational view thereof shown in FIG. 8;

FIG. 11 is a top plan view thereof shown in FIG. 8;

FIG. 12 is a bottom plan view thereof shown in FIG. 8;

FIG. 13 is a right side elevational view thereof shown in FIG. 8; and,

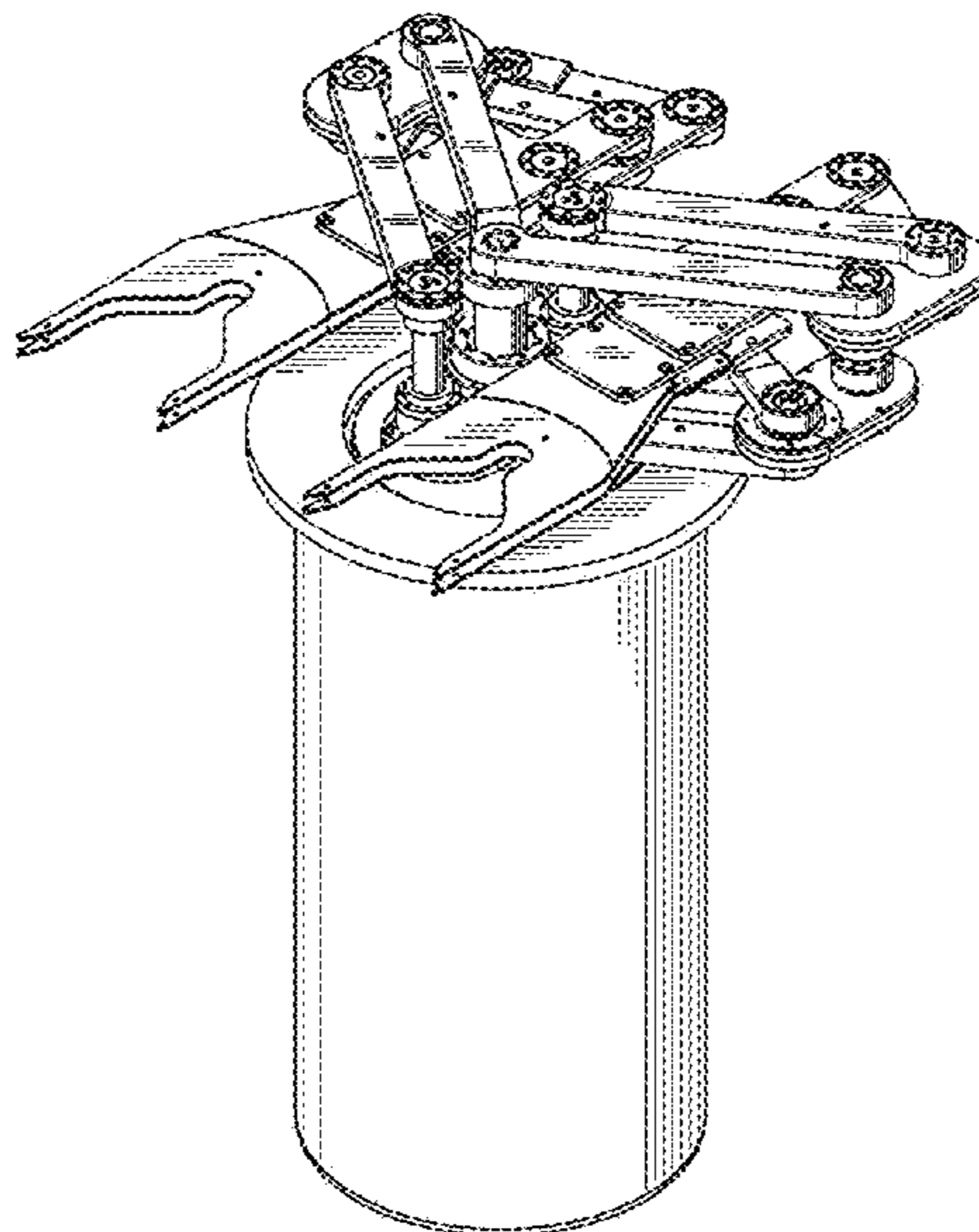
FIG. 14 is a left side elevational view thereof shown in FIG. 8.

(56) **References Cited**

**U.S. PATENT DOCUMENTS**

D323,332	S *	1/1992	Ishii et al. ....	D15/199
5,950,495	A *	9/1999	Ogawa et al. ....	74/490.01
6,102,649	A *	8/2000	Ogawa et al. ....	414/744.5
6,109,860	A *	8/2000	Ogawa et al. ....	414/744.5
6,155,131	A *	12/2000	Suwa et al. ....	74/490.05
6,190,114	B1 *	2/2001	Ogawa et al. ....	414/744.5
6,364,599	B1 *	4/2002	Suwa et al. ....	414/744.1
RE37,731	E *	6/2002	Ogawa et al. ....	74/490.01
7,056,080	B2 *	6/2006	Ogawa et al. ....	414/744.5
7,114,907	B2 *	10/2006	Ogawa et al. ....	414/744.5
D552,138	S *	10/2007	Kondo et al. ....	D15/199
7,306,423	B2 *	12/2007	Ogawa et al. ....	414/749.1
2002/0114690	A1 *	8/2002	Ishigame ....	414/744.5
2003/0012631	A1 *	1/2003	Pencis et al. ....	414/744.5
2003/0014155	A1 *	1/2003	Pencis et al. ....	700/213
2005/0079043	A1 *	4/2005	Ogawa et al. ....	414/744.2
2005/0118010	A1 *	6/2005	Ogawa et al. ....	414/744.1

**1 Claim, 14 Drawing Sheets**



# US D625,748 S

Page 2

---

## U.S. PATENT DOCUMENTS

2007/0004058	A1*	1/2007	Lee et al. ....	438/14	2009/0093906	A1*	4/2009	Takizawa et al. ....	700/214
2007/0183868	A1*	8/2007	Son .....	414/217	2009/0142163	A1*	6/2009	Genetti et al. ....	414/217
2008/0023293	A1*	1/2008	Uratani et al. ....	198/346.2	2010/0101357	A1*	4/2010	Aoki et al. ....	74/490.05
2008/0118338	A1*	5/2008	Huang et al. ....	414/744.3	2010/0161124	A1*	6/2010	Kimura .....	700/251

\* cited by examiner

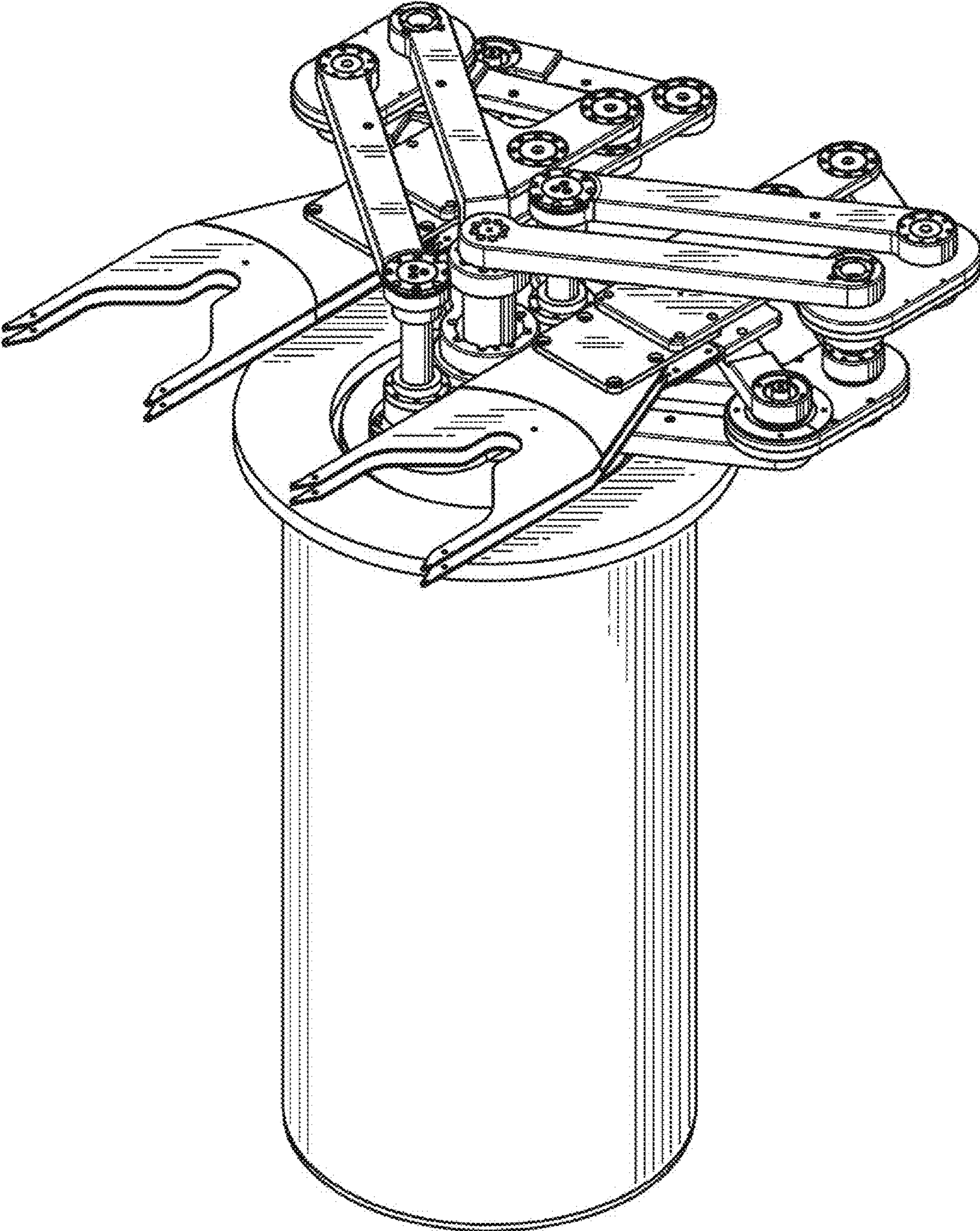


FIG. 1

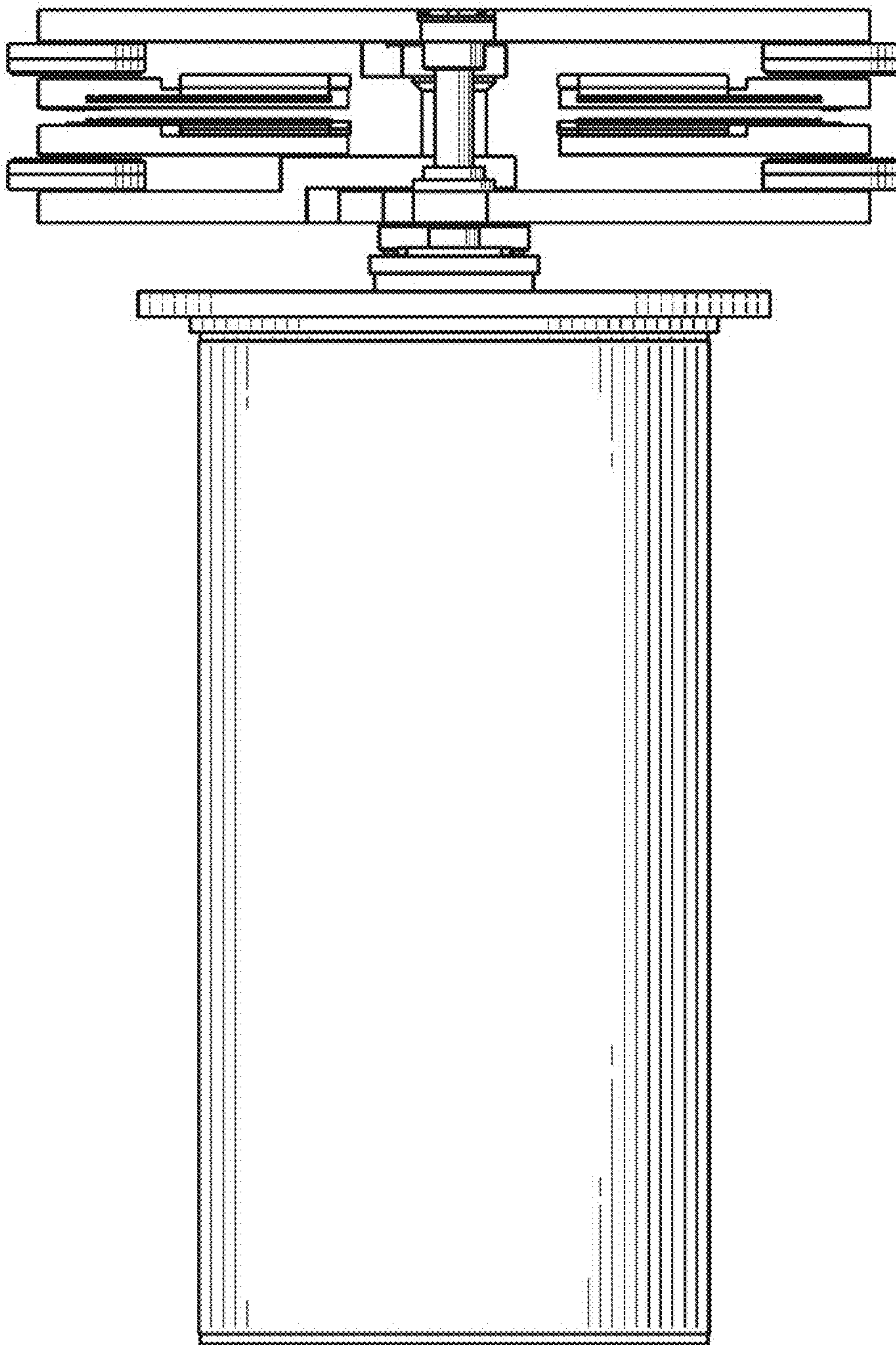


FIG. 2

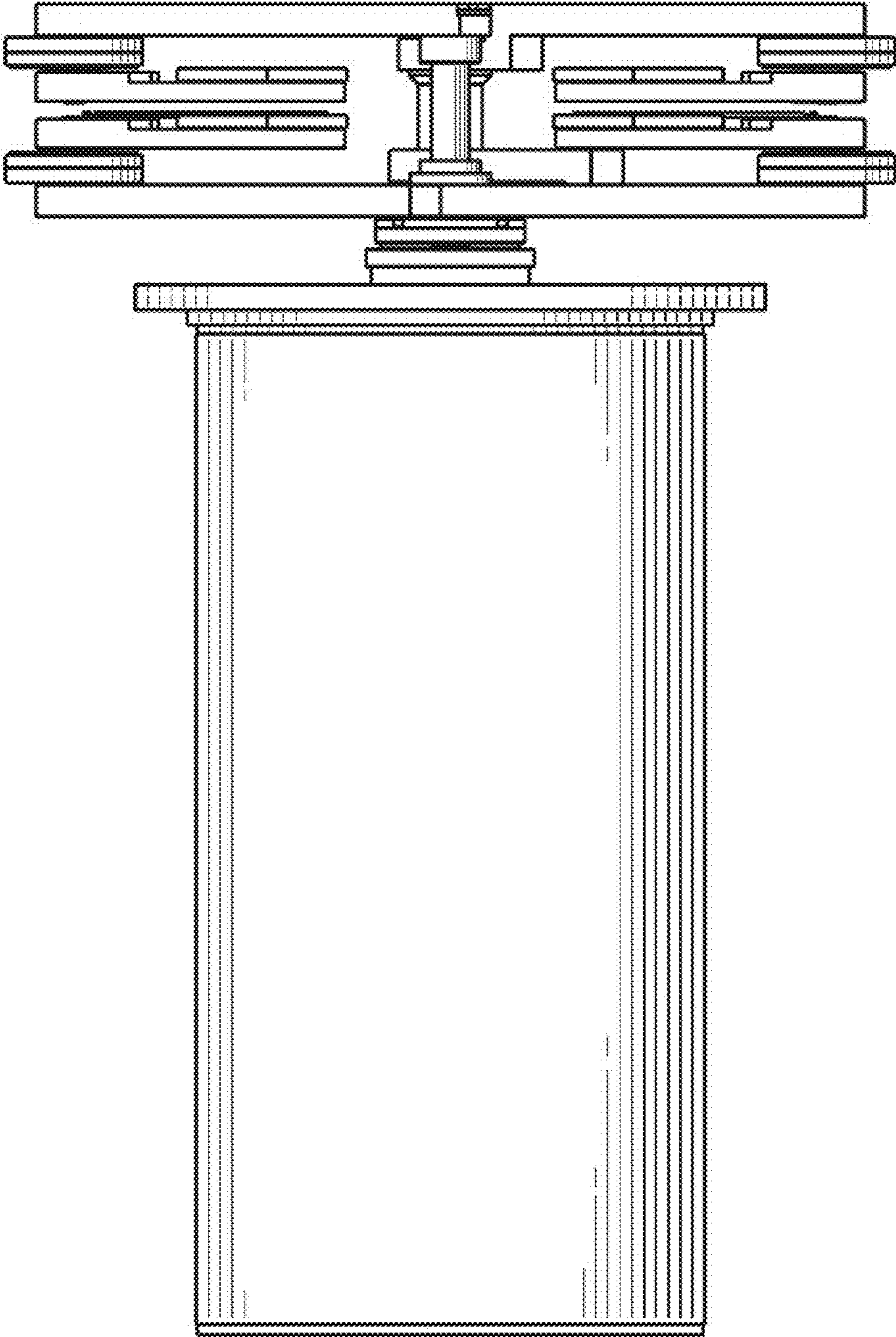


FIG. 3

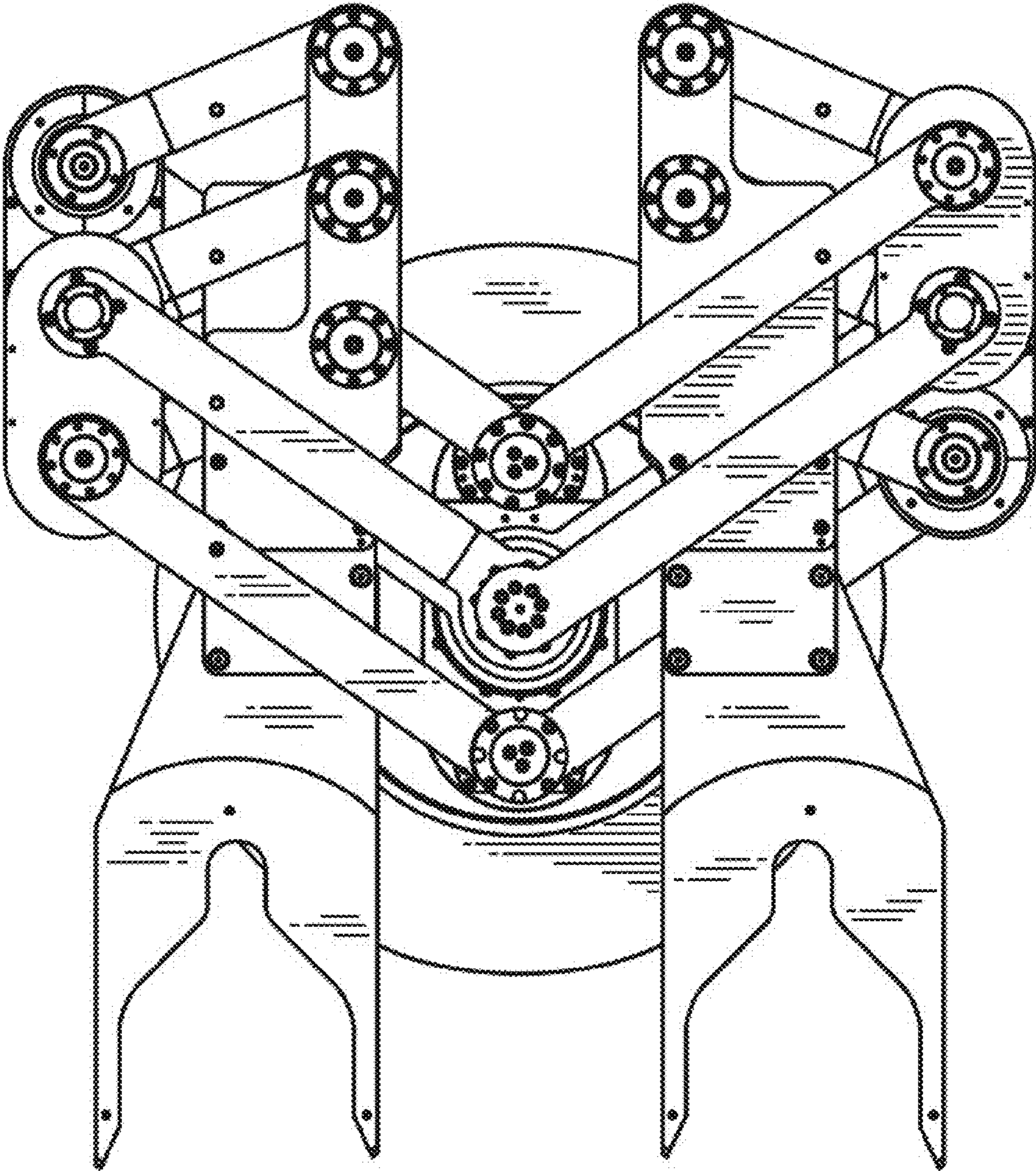


FIG. 4

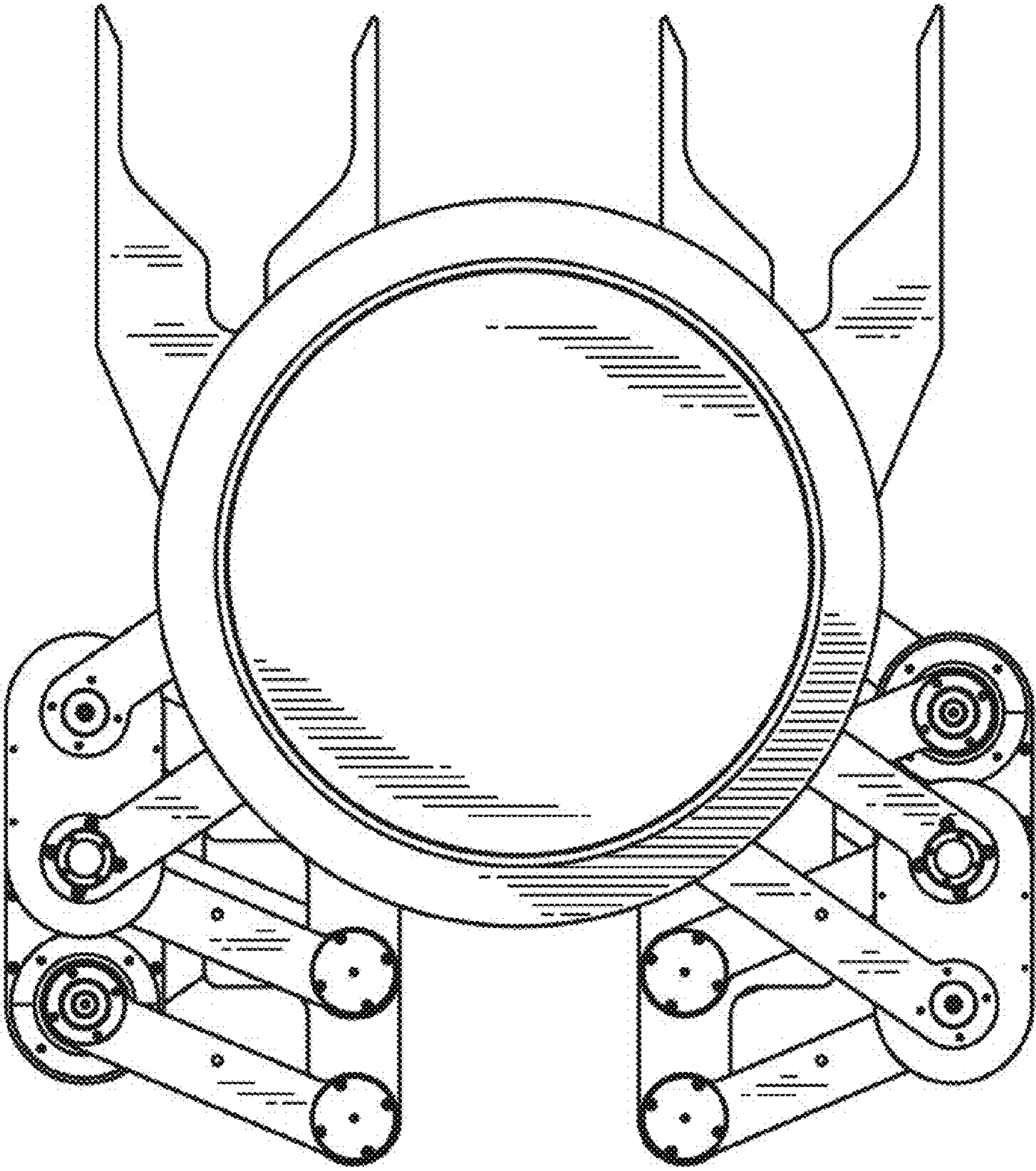


FIG. 5

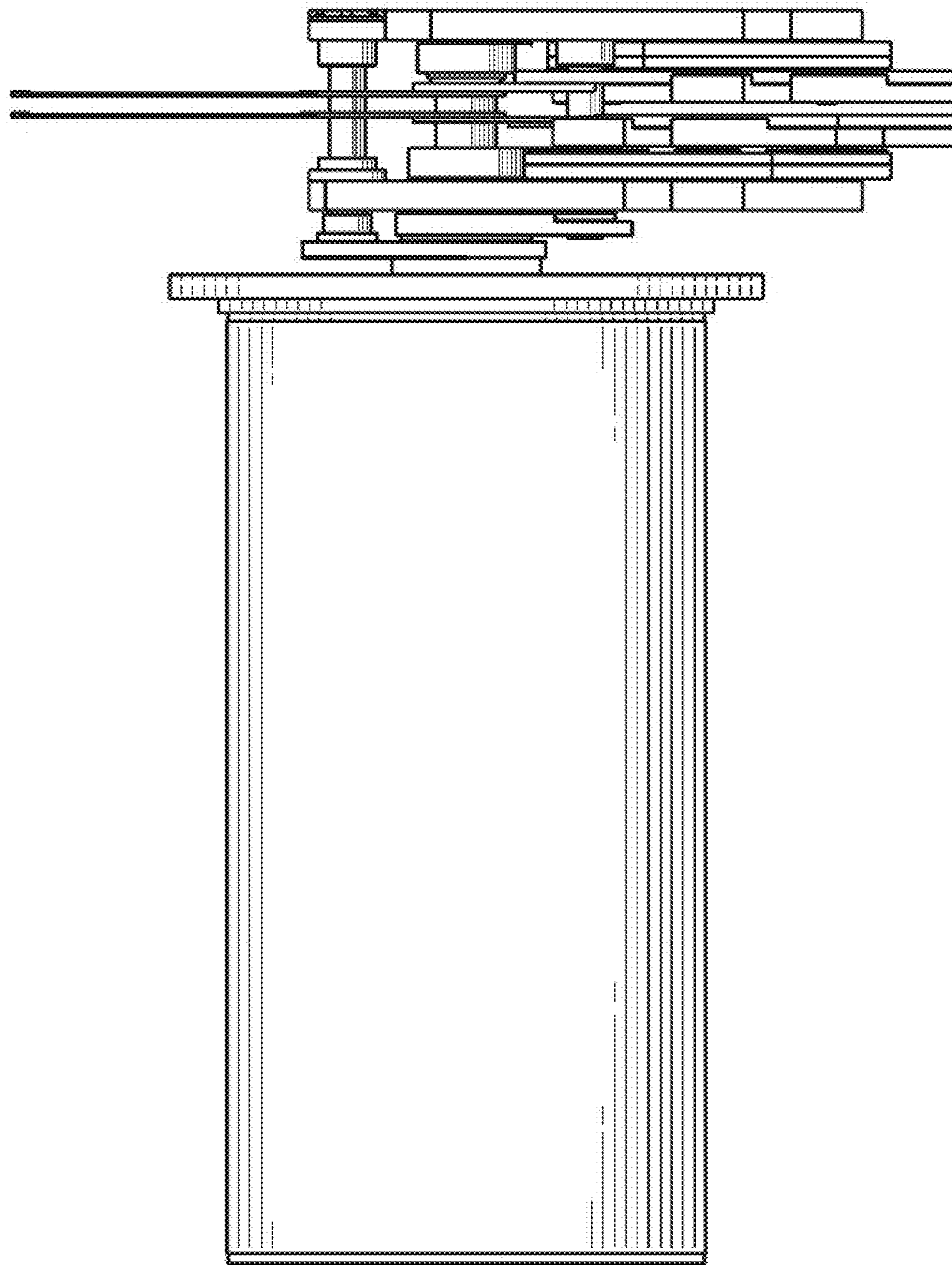


FIG. 6



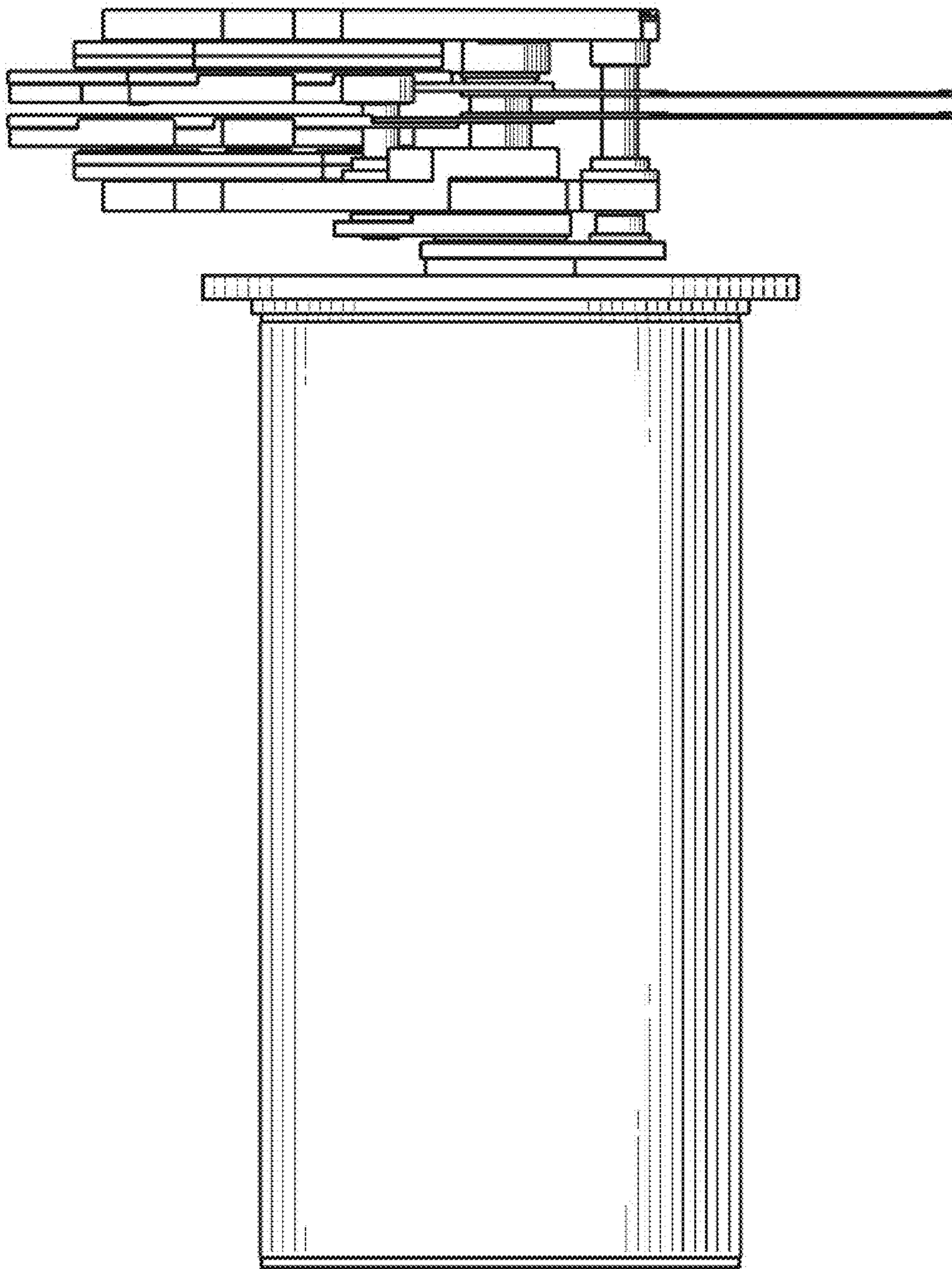


FIG. 7

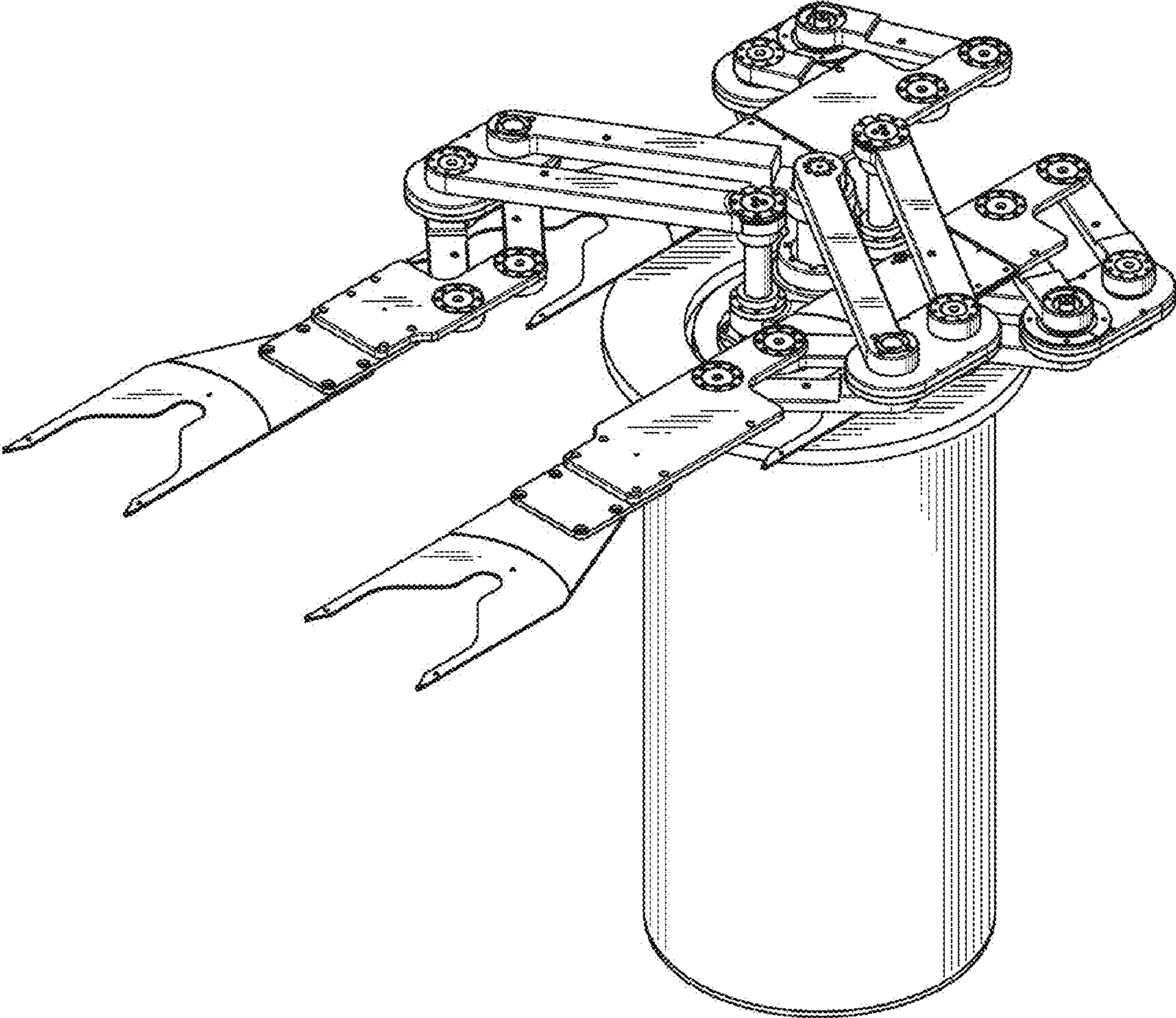


FIG. 8

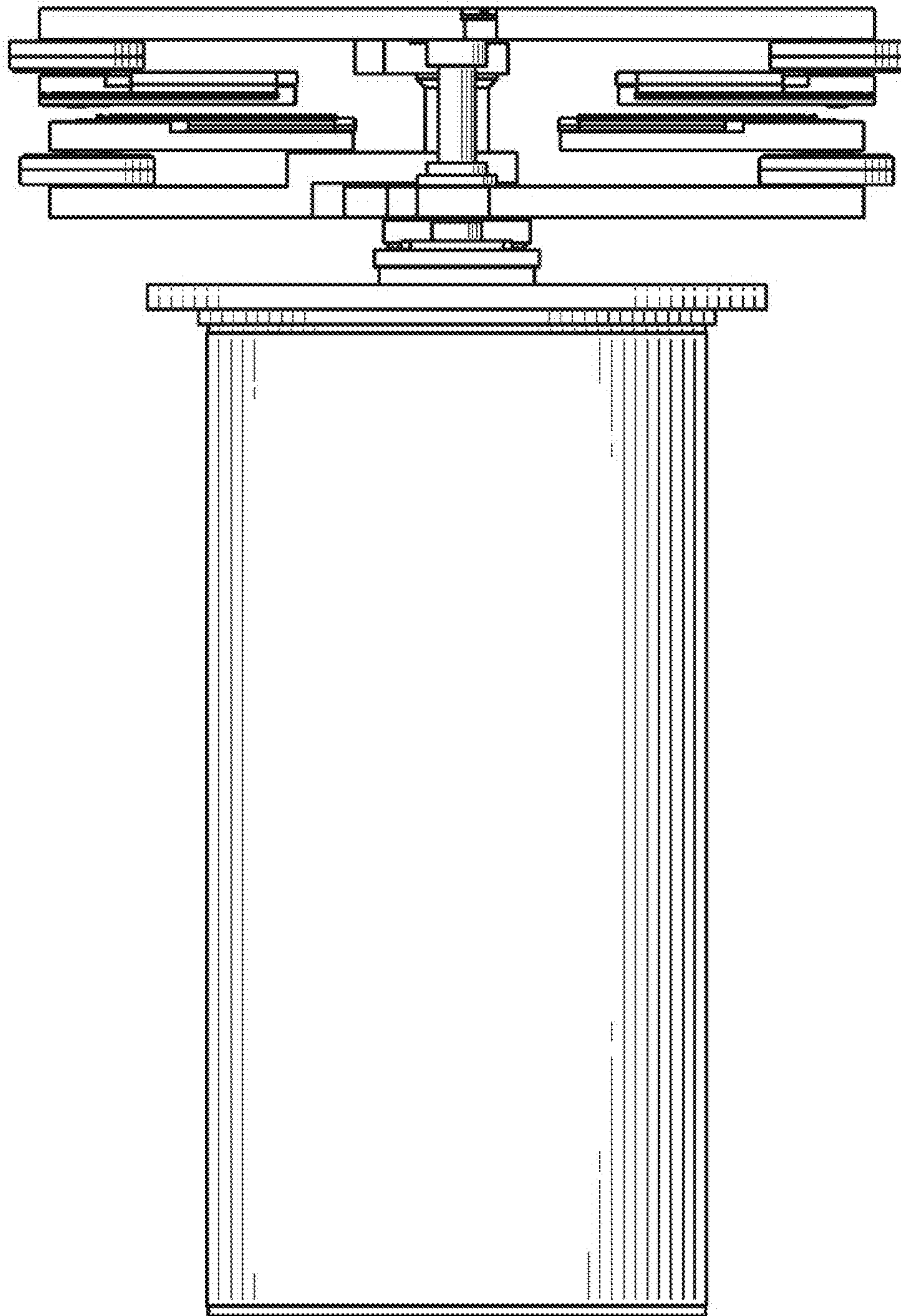


FIG. 9

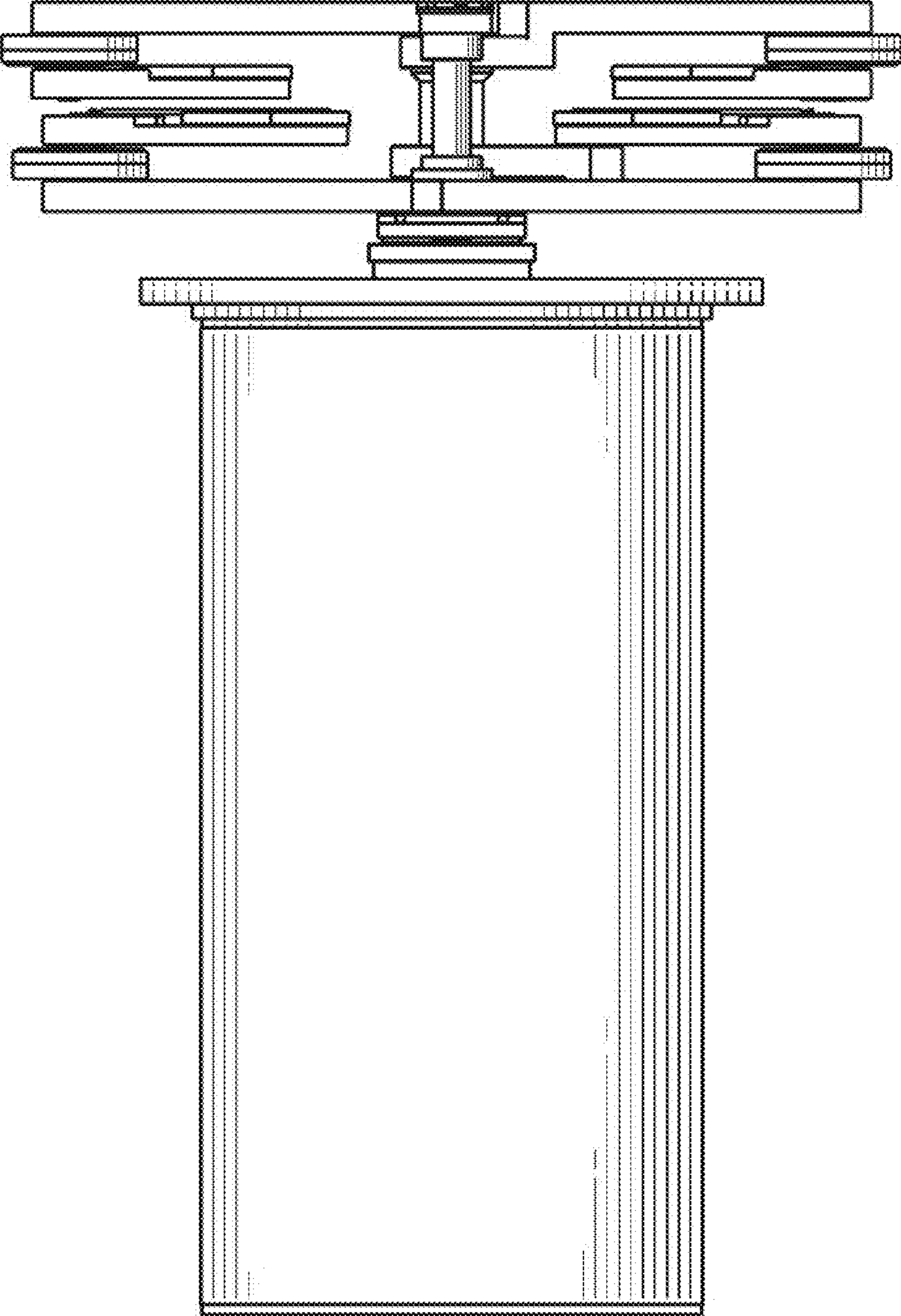


FIG. 10

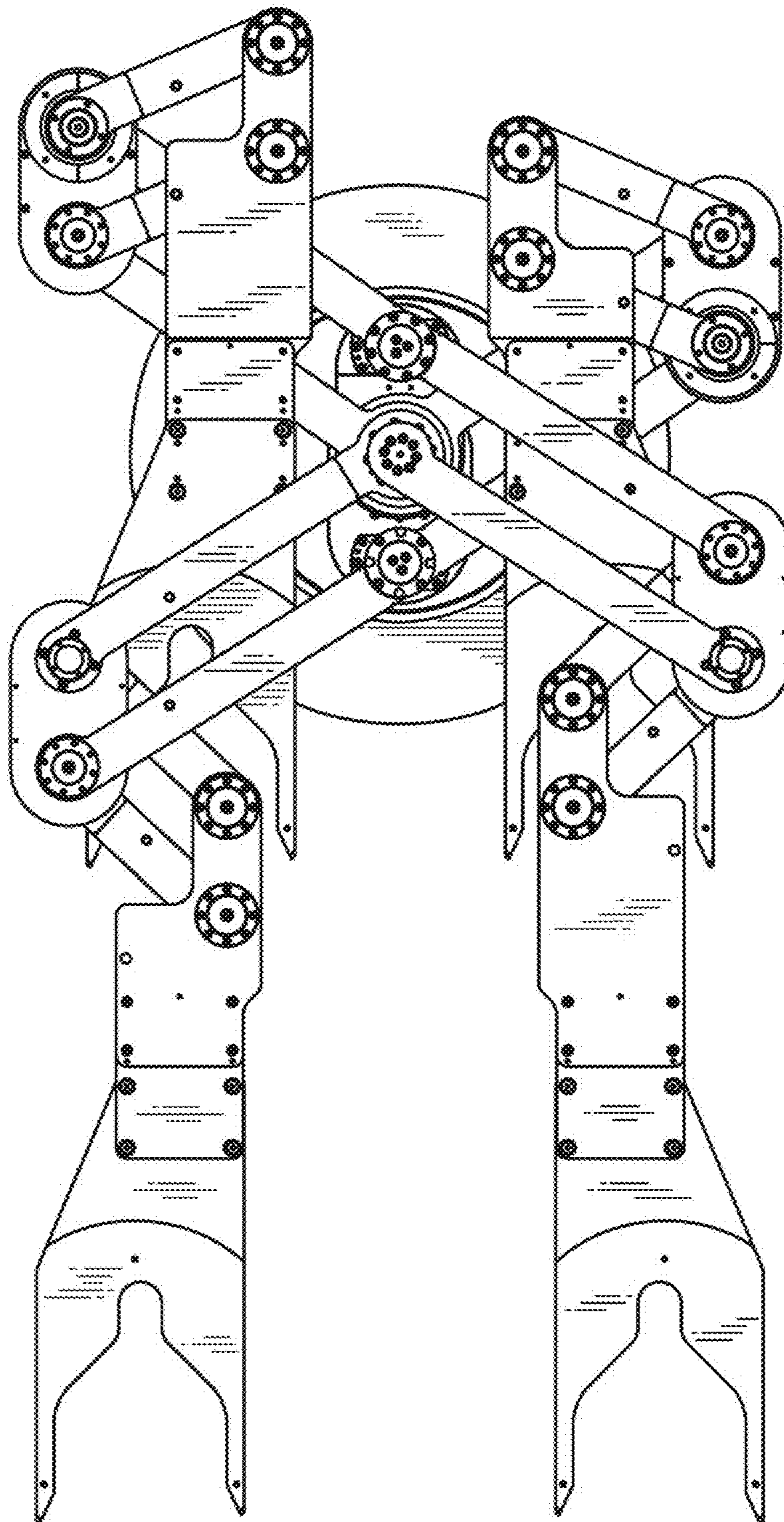


FIG. 11

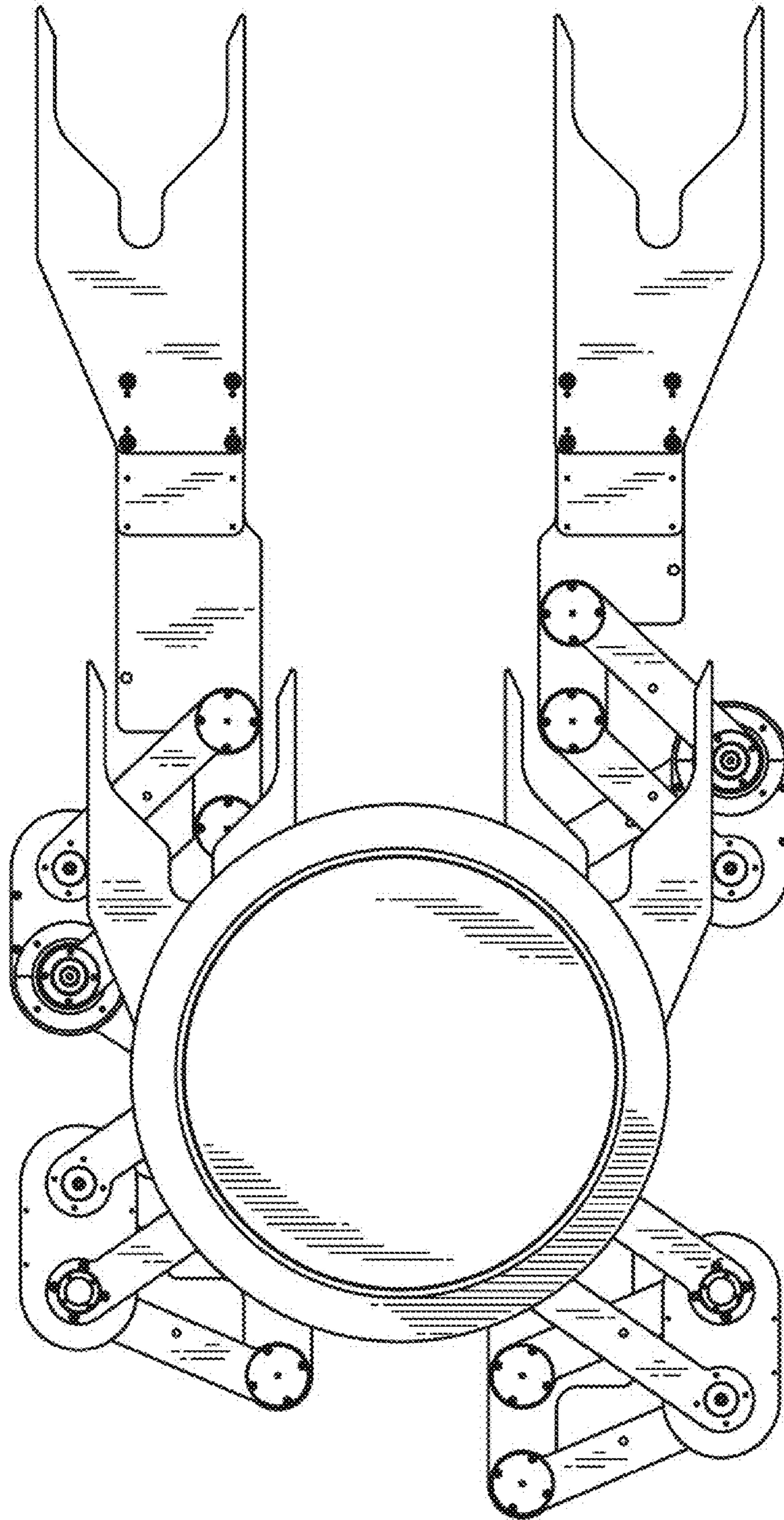


FIG. 12

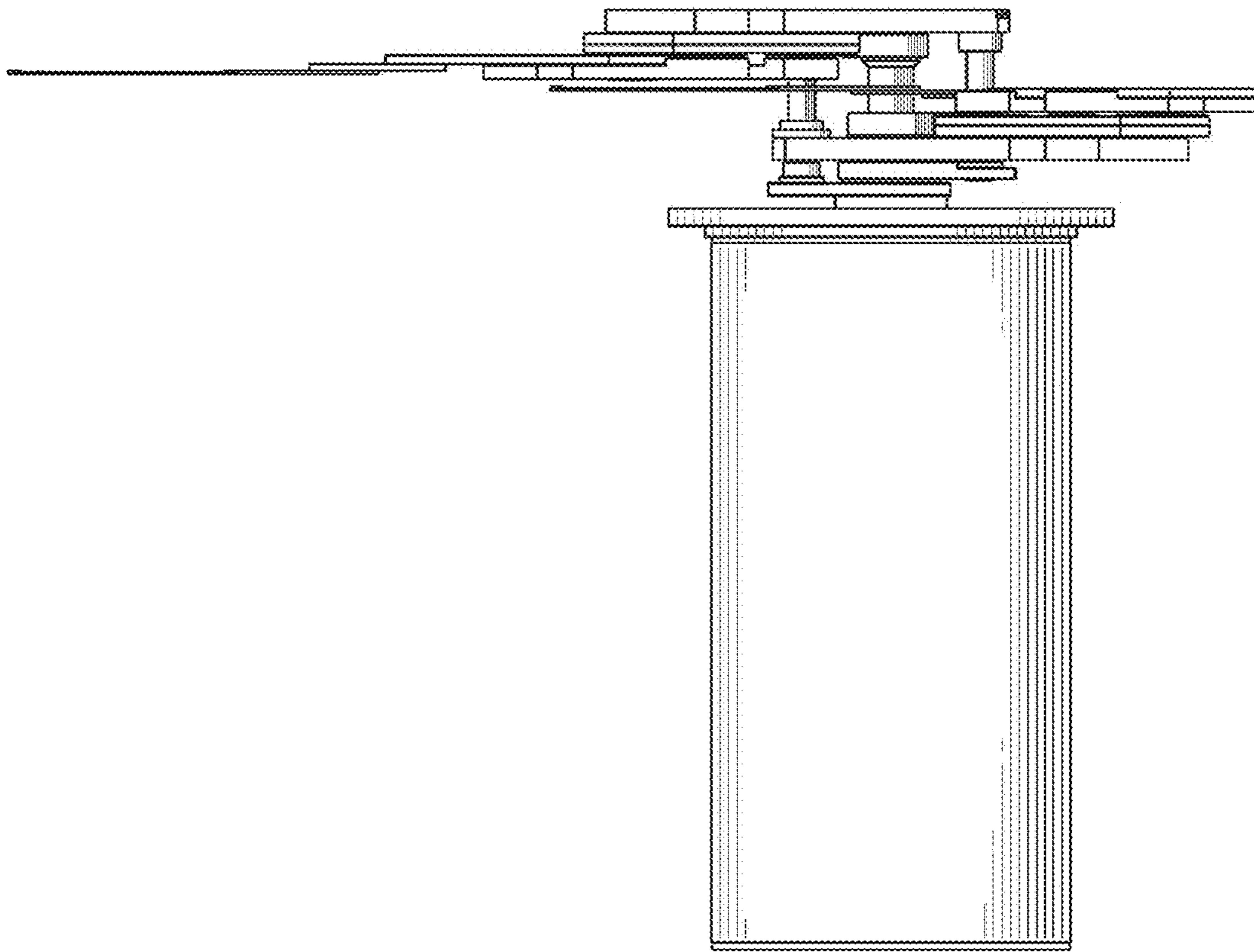


FIG. 13

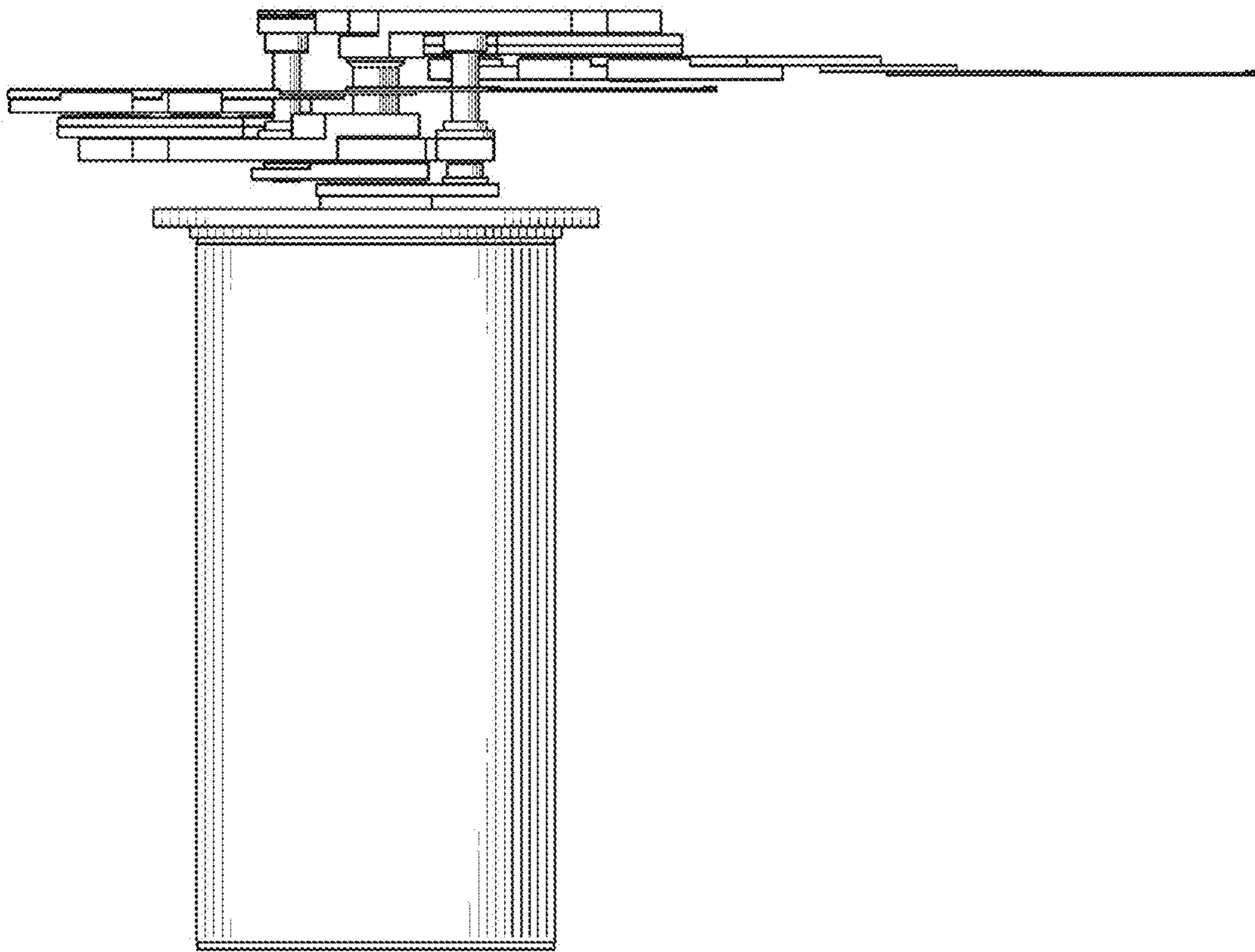


FIG. 14