



US00D625747S

(12) **United States Design Patent**
Reay

(10) **Patent No.:** **US D625,747 S**

(45) **Date of Patent:** **** Oct. 19, 2010**

(54) **AGITATION DEVICE**

(76) Inventor: **Gavin Reay**, 104 Felsham Road,
London, England (GB) SW15 1DQ

(**) Term: **14 Years**

(21) Appl. No.: **29/359,688**

(22) Filed: **Apr. 14, 2010**

1,723,091 A *	8/1929	St John	294/19.2
2,092,353 A *	9/1937	Kyseth et al.	416/72
3,259,272 A *	7/1966	Larson	222/1
5,630,666 A *	5/1997	Rodriguez	366/192
6,068,395 A *	5/2000	Ondracek	366/129
6,334,705 B1 *	1/2002	Weetman	366/330.1
D524,886 S *	7/2006	Baril	D21/721
D576,186 S *	9/2008	Rosso et al.	D15/138
7,578,611 B2 *	8/2009	Hamilton	366/129
D599,178 S *	9/2009	Reay	D7/690
D617,135 S *	6/2010	Reay	D7/376

Related U.S. Application Data

(63) Continuation of application No. 12/556,744, filed on
Sep. 10, 2009.

(51) **LOC (9) Cl.** **15-09**

(52) **U.S. Cl.** **D15/147; D15/138**

(58) **Field of Classification Search** D7/317,
D7/318, 376-386, 412-415, 665, 690; D14/230;
D15/138, 147; D21/721; 68/213; 134/140,
134/147, 149, 152, 157, 900; 366/65, 81,
366/129, 135, 185, 246, 250, 251, 262, 265,
366/293, 303, 305, 317, 320, 321, 327, 327.3,
366/329, 329.1, 347, 605; 416/231 A, 135;
526/65

See application file for complete search history.

(56) **References Cited**

U.S. PATENT DOCUMENTS

335,739 A *	2/1886	Brammer et al.	366/254
427,963 A *	5/1890	Booz et al.	15/104.18

* cited by examiner

Primary Examiner—Patricia Palasik

(74) *Attorney, Agent, or Firm*—Eugene M. Cummings, P.C.

(57) **CLAIM**

The ornamental design for an agitation device, as shown and
described.

DESCRIPTION

FIG. 1 is a perspective view of an agitation device showing the
new design.

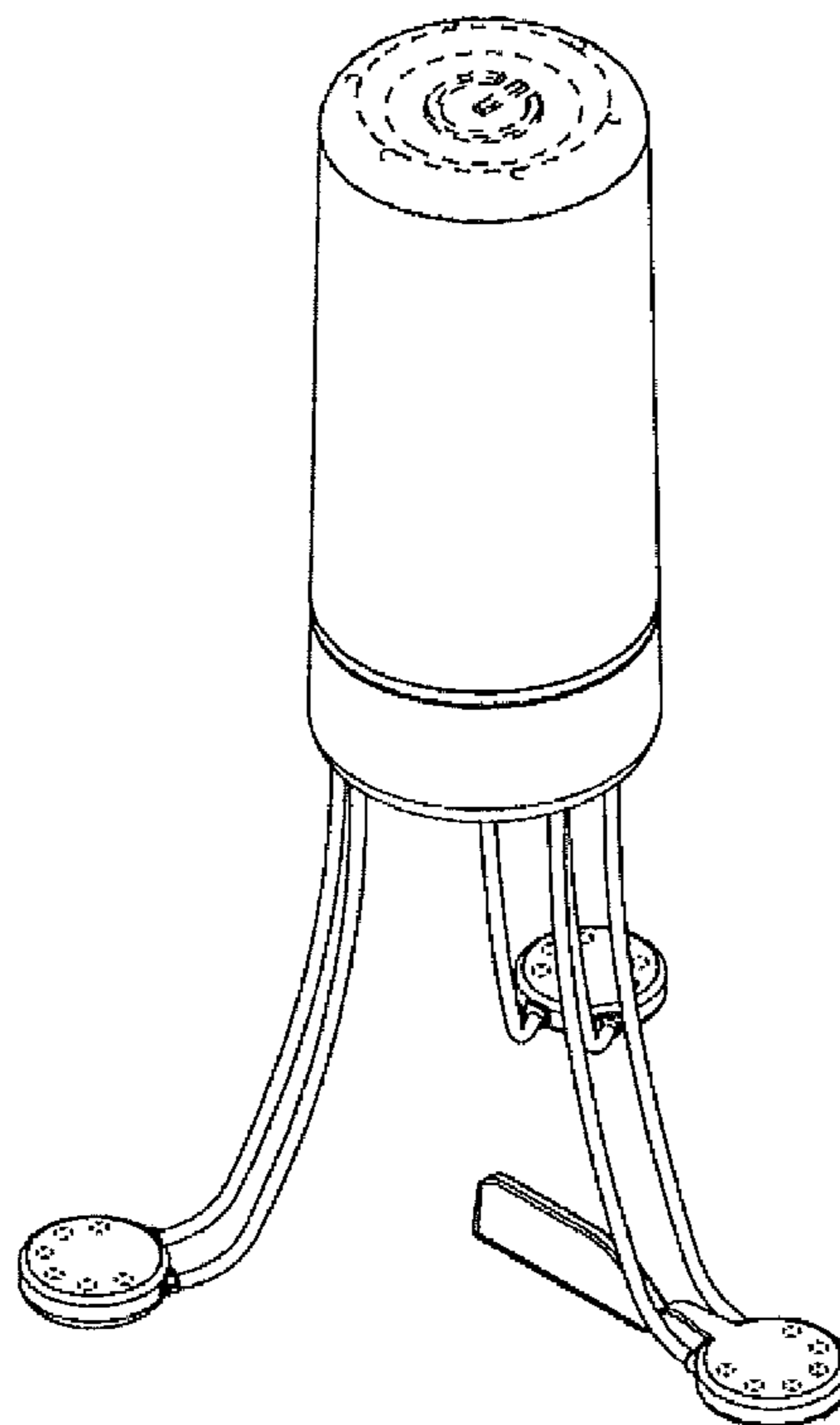
FIG. 2 is a top view of the agitation device.

FIG. 3 is a side view of the agitation device; and,

FIG. 4 is a bottom perspective view of the agitation device.

The broken lines in the drawings depict unclaimed environ-
mental subject matter.

1 Claim, 2 Drawing Sheets



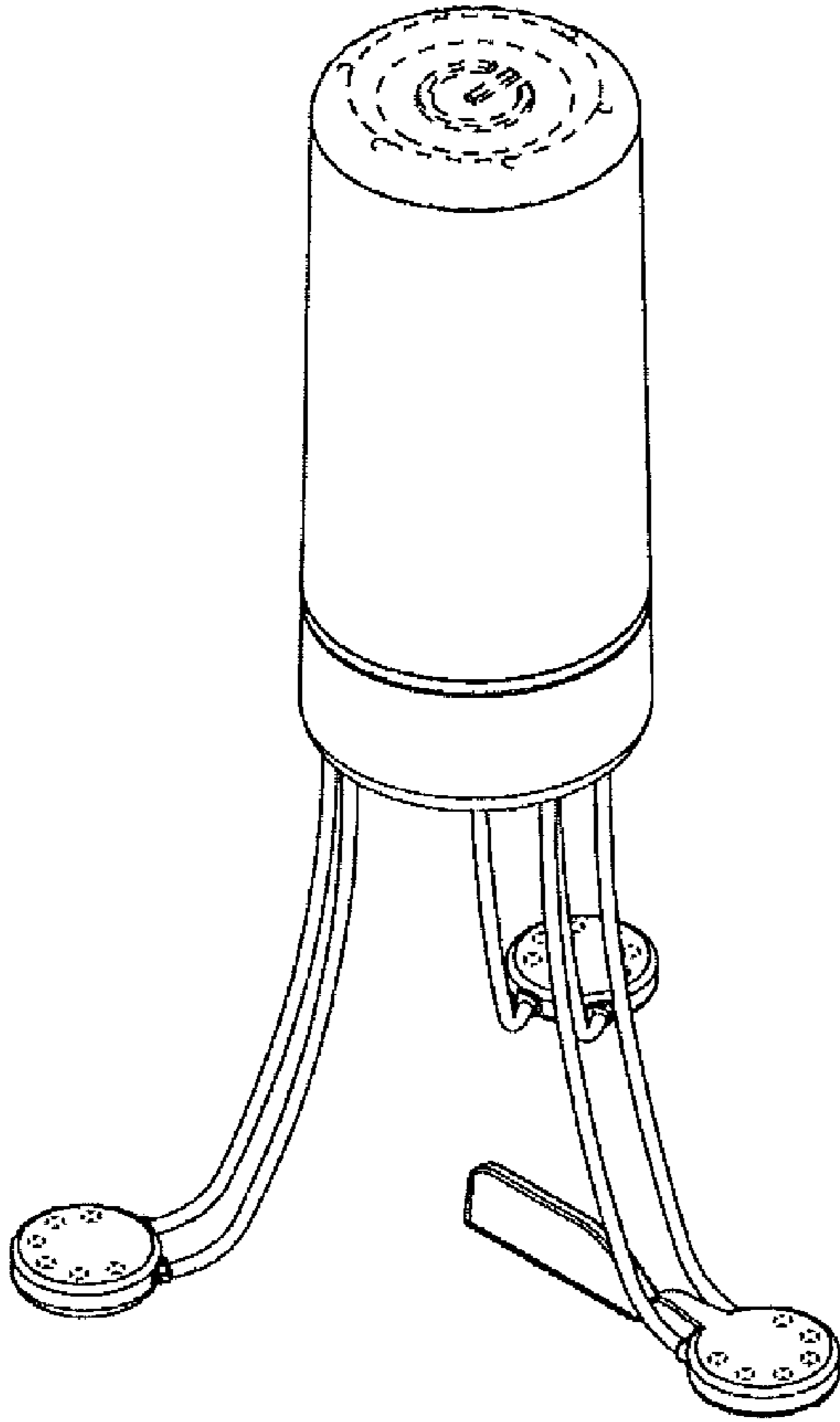


FIGURE 1

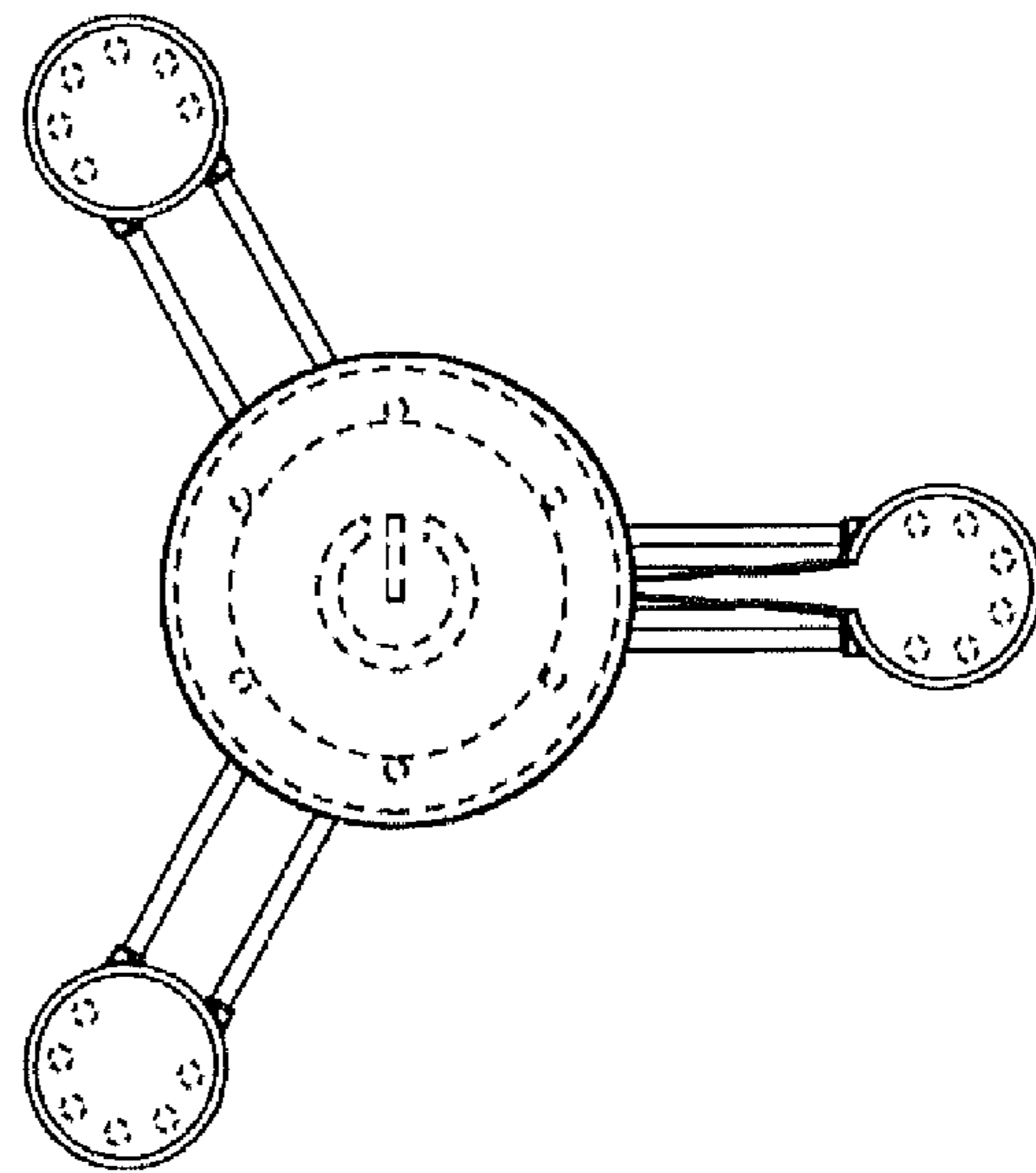


FIGURE 2

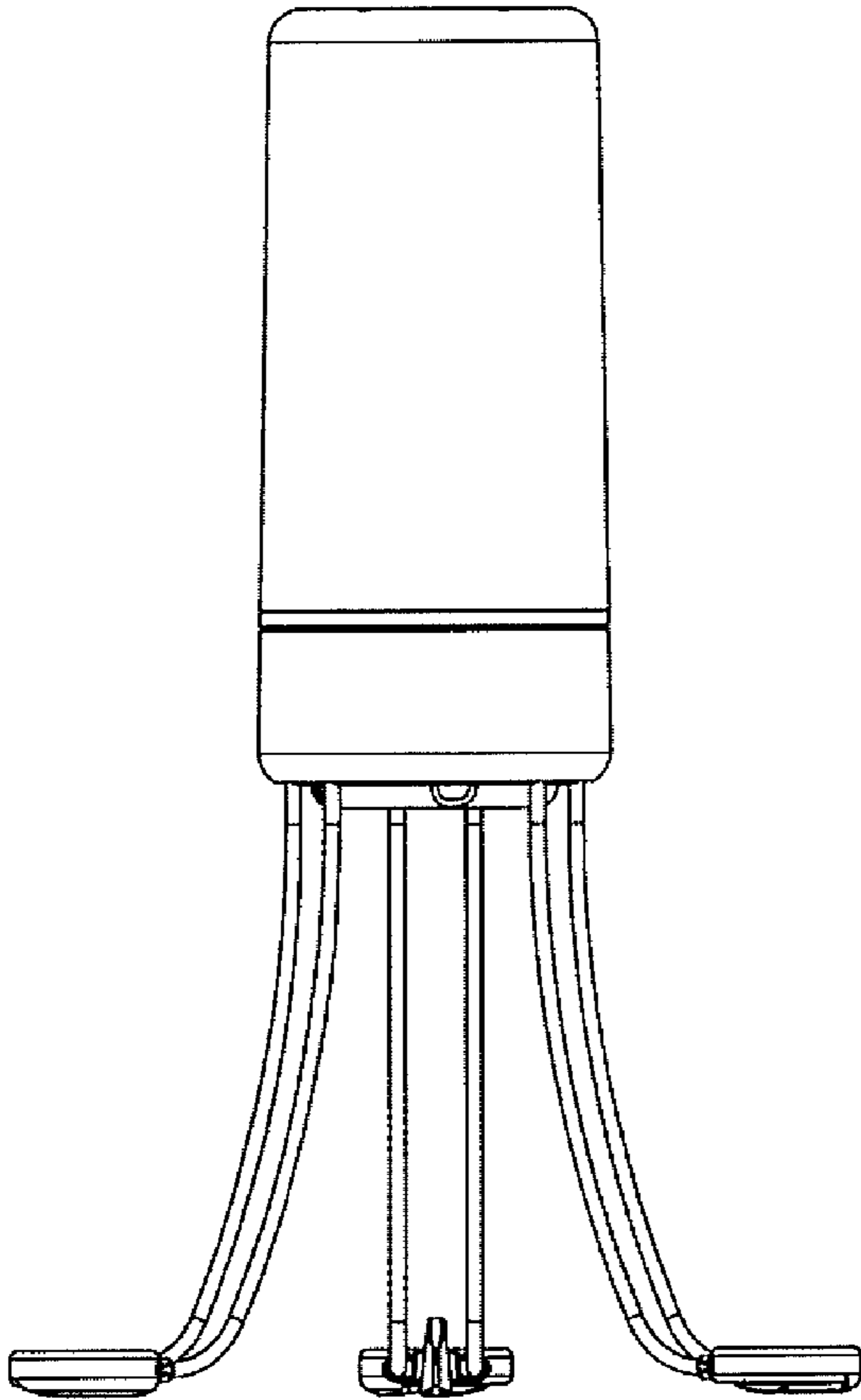


FIGURE 3

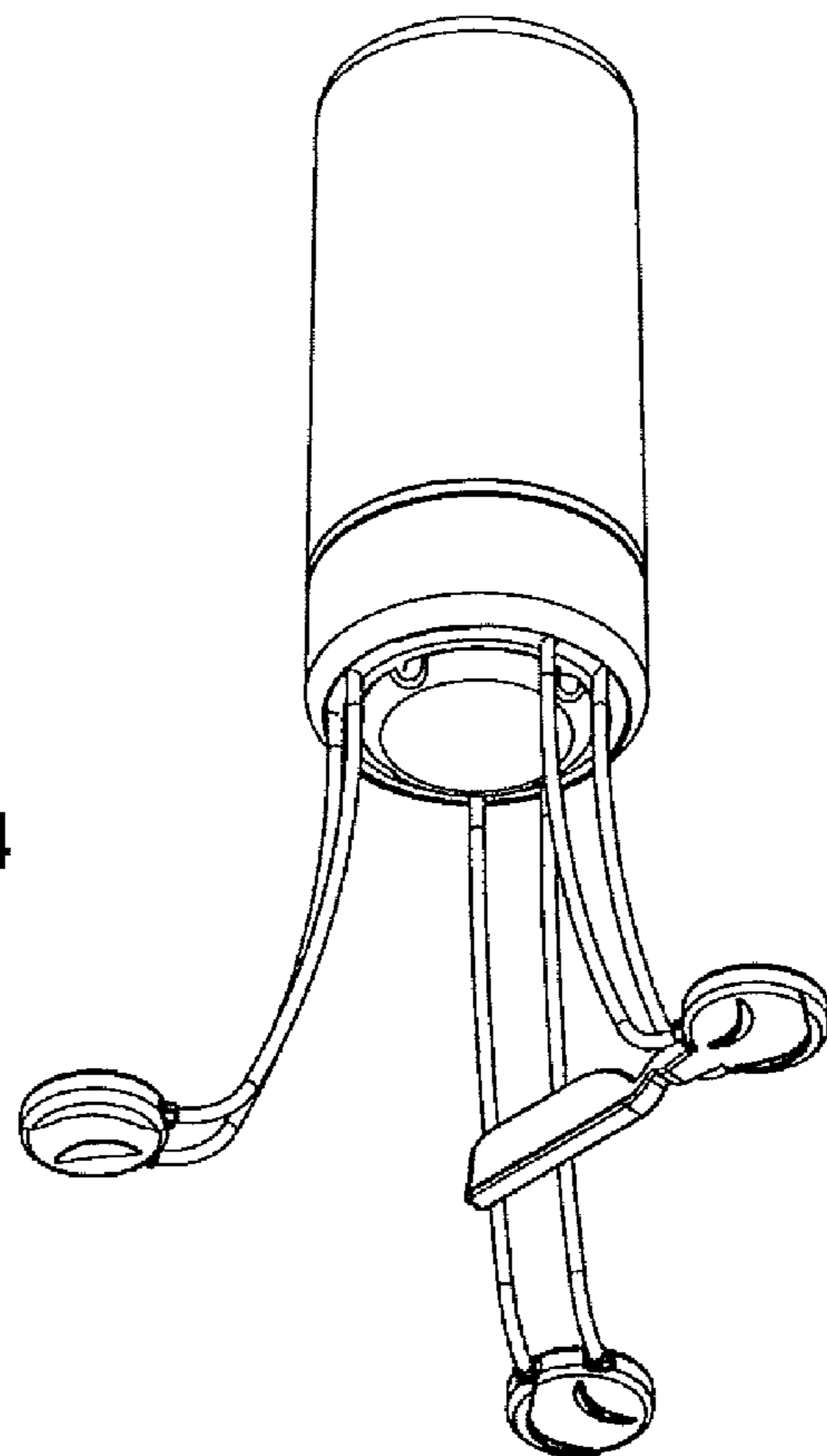


FIGURE 4