



US00D625745S

(12) **United States Design Patent**
Chiang et al.

(10) **Patent No.:** **US D625,745 S**

(45) **Date of Patent:** **** Oct. 19, 2010**

(54) **ACTUATOR**

(75) Inventors: **Hsin-An Chiang**, Taichung (TW);
Kuo-En Tseng, Taichung (TW)

(73) Assignee: **Hiwin Mikrosystem Corp.**, Taichung (TW)

(**) Term: **14 Years**

(21) Appl. No.: **29/363,821**

(22) Filed: **Jun. 15, 2010**

(51) **LOC (9) Cl.** **15-09**

(52) **U.S. Cl.** **D15/143**

(58) **Field of Classification Search** D13/158,
D13/162, 184; D15/5, 7, 9, 143, 148, 199;
74/89.15, 411.5, 490.09; 297/14, 325, 327;
310/10, 12, 15, 20, 80, 300; 439/717, 721,
439/725; 474/148

See application file for complete search history.

(56) **References Cited**

U.S. PATENT DOCUMENTS

6,321,611 B1 * 11/2001 Szu et al. 74/89.37
D458,284 S * 6/2002 Landerholm et al. D15/143
D577,753 S * 9/2008 Lund et al. D15/143

D595,752 S * 7/2009 Lin et al. D15/143
D595,753 S * 7/2009 Tseng D15/143
D596,652 S * 7/2009 Roither et al. D15/143
D611,514 S * 3/2010 Fukano et al. D15/143
2005/0264109 A1 * 12/2005 Abrahamsen 310/20
2007/0169578 A1 * 7/2007 Christensen et al. 74/89.37

* cited by examiner

Primary Examiner—Patricia Palasik

(74) *Attorney, Agent, or Firm*—Guice Patents PLLC

(57) **CLAIM**

The ornamental design for actuator, shown and described.

DESCRIPTION

FIG. 1 is a perspective view showing the front, left side and top of my new design for an actuator.

FIG. 2 is a left view thereof;

FIG. 3 is a right view thereof;

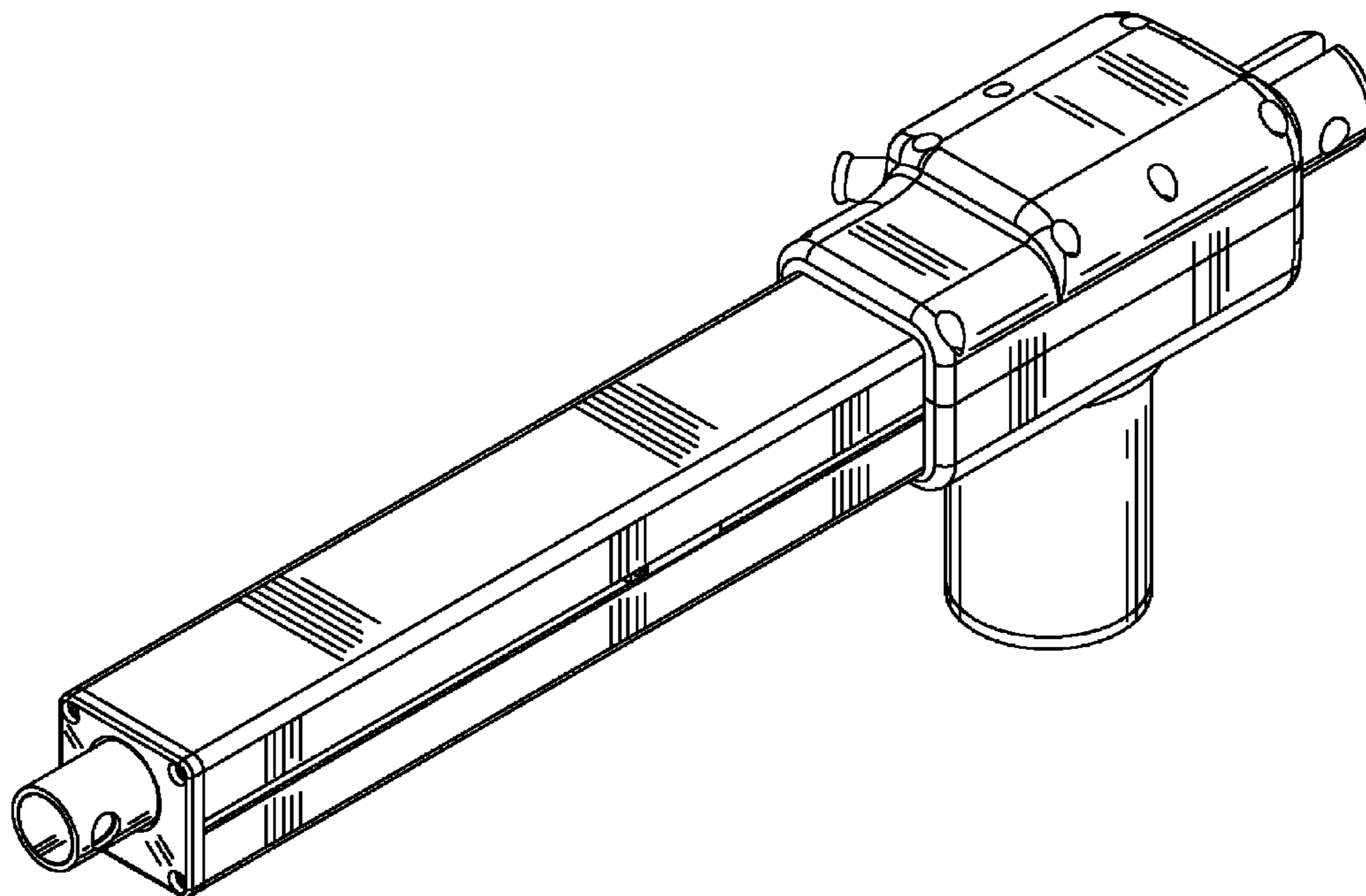
FIG. 4 is a rear view thereof;

FIG. 5 is a front view thereof;

FIG. 6 is a top view thereof; and,

FIG. 7 is a bottom view thereof.

1 Claim, 4 Drawing Sheets



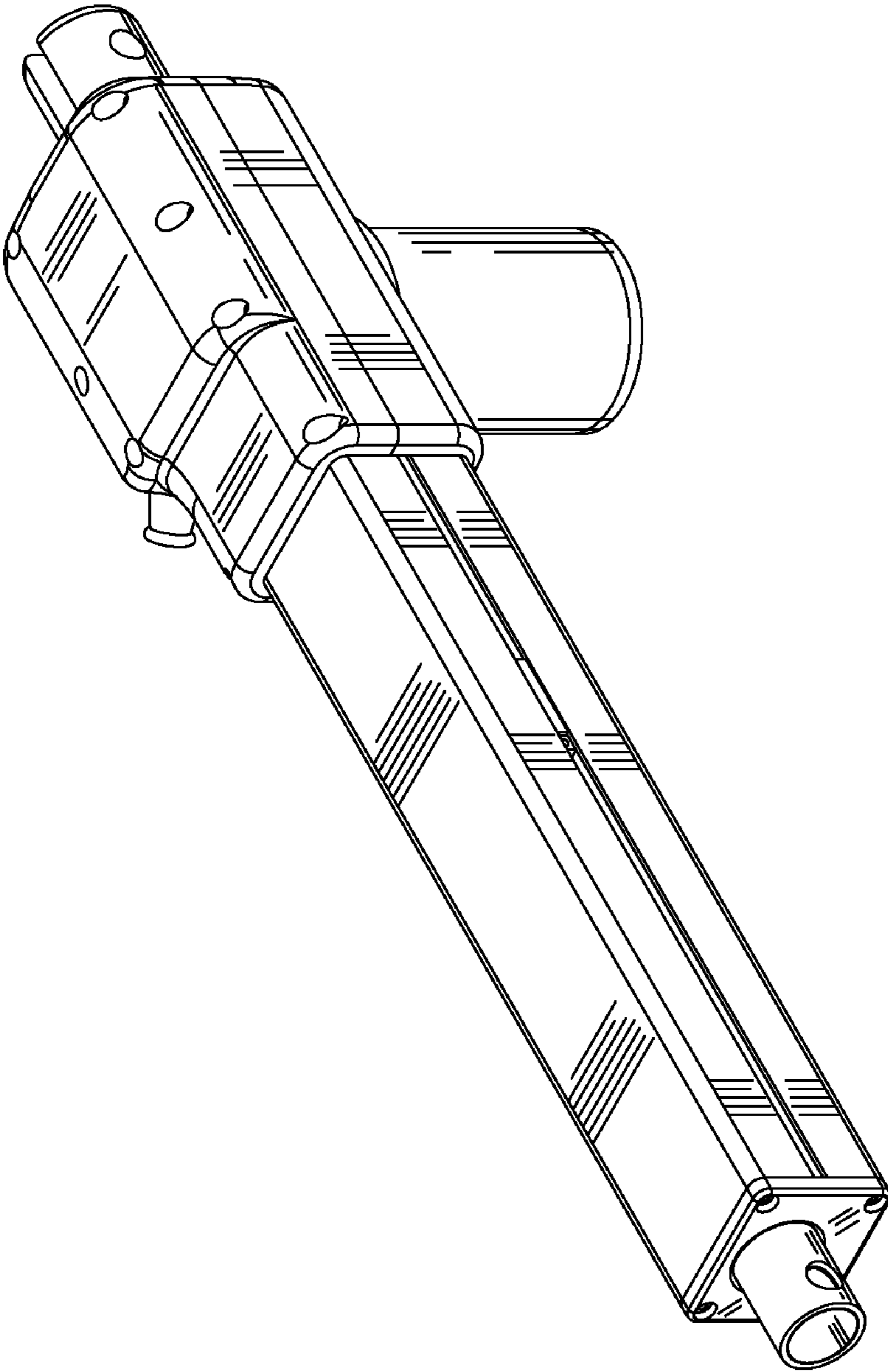


Fig. 1

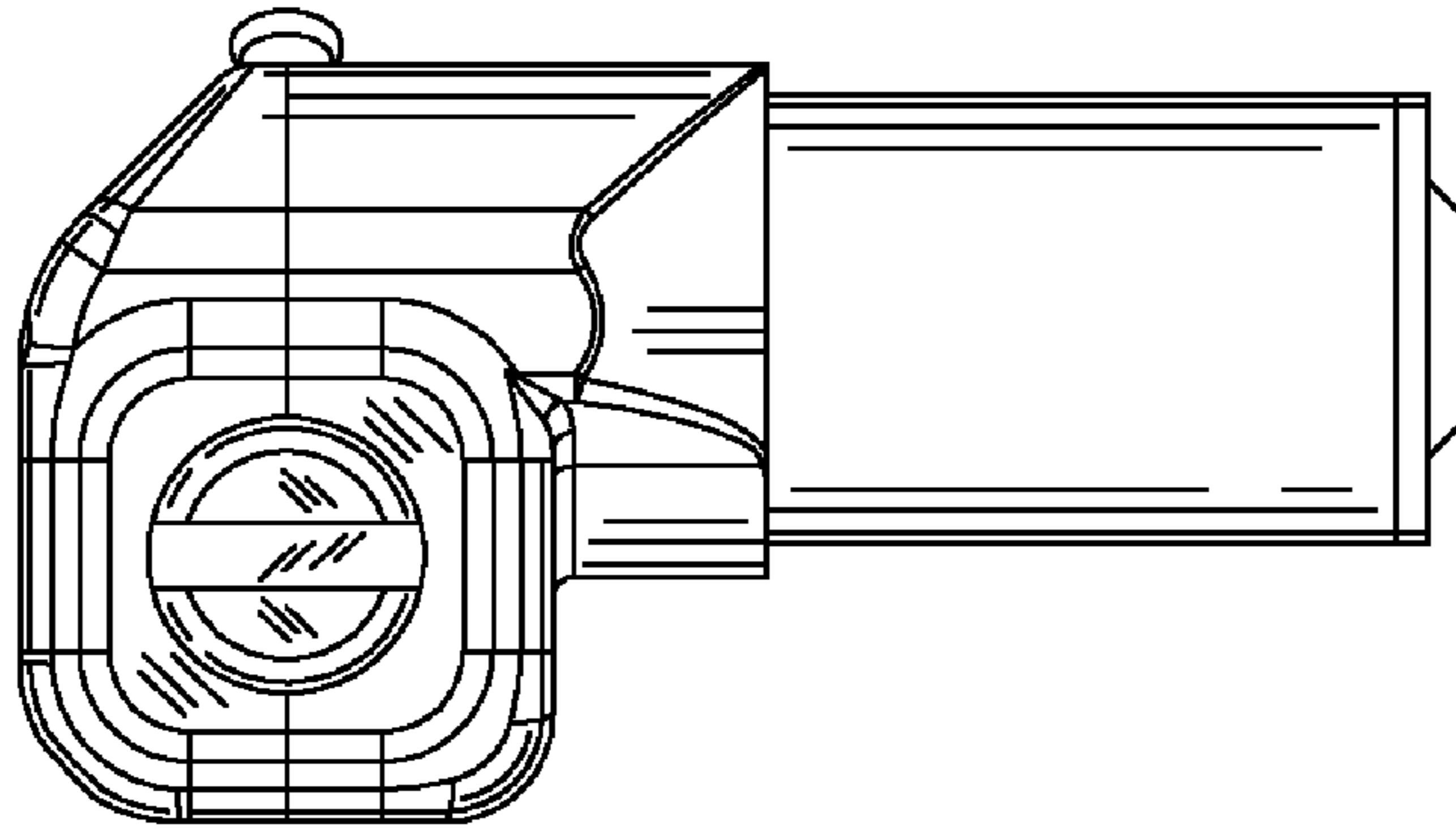


Fig. 3

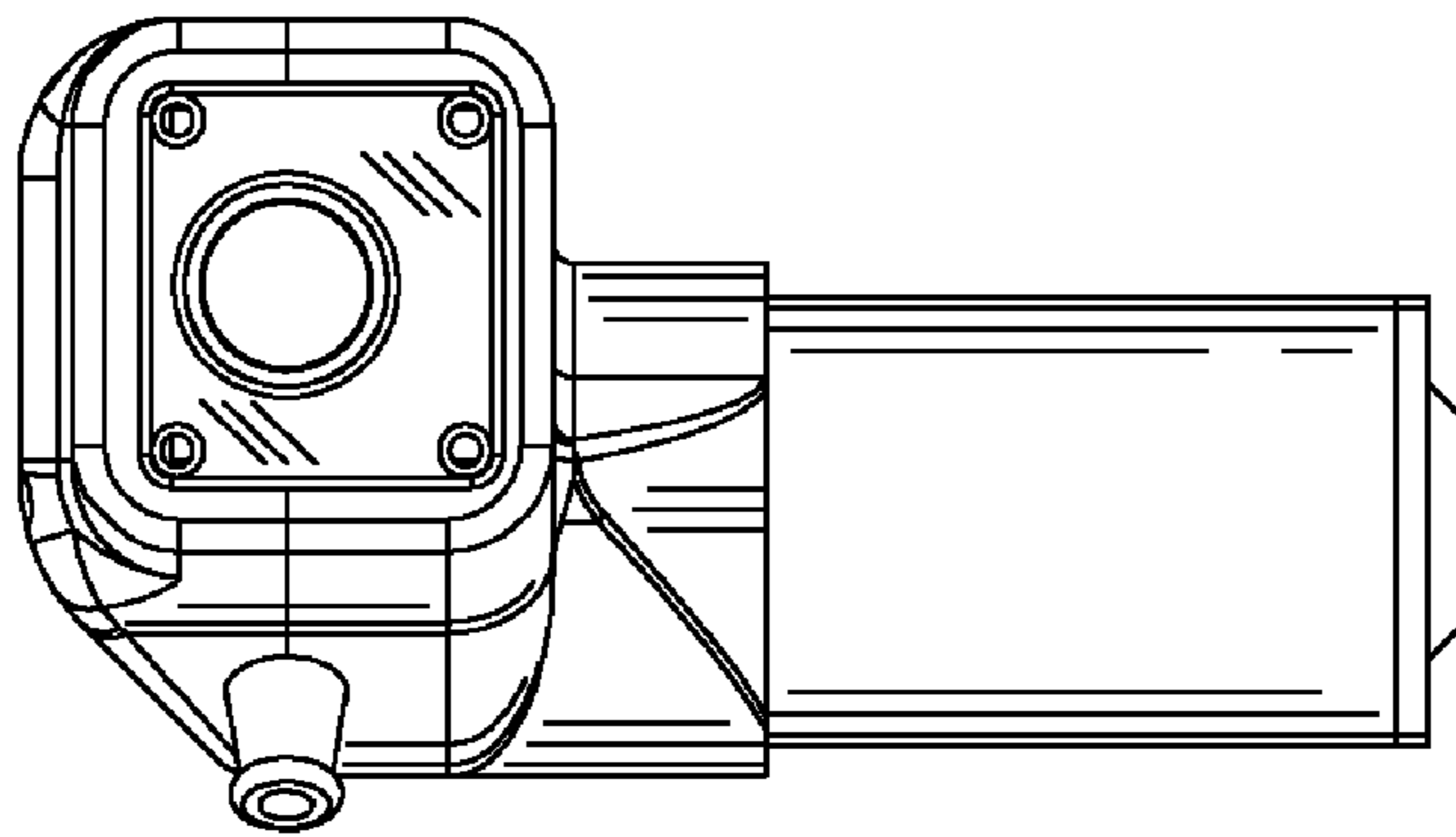


Fig. 2

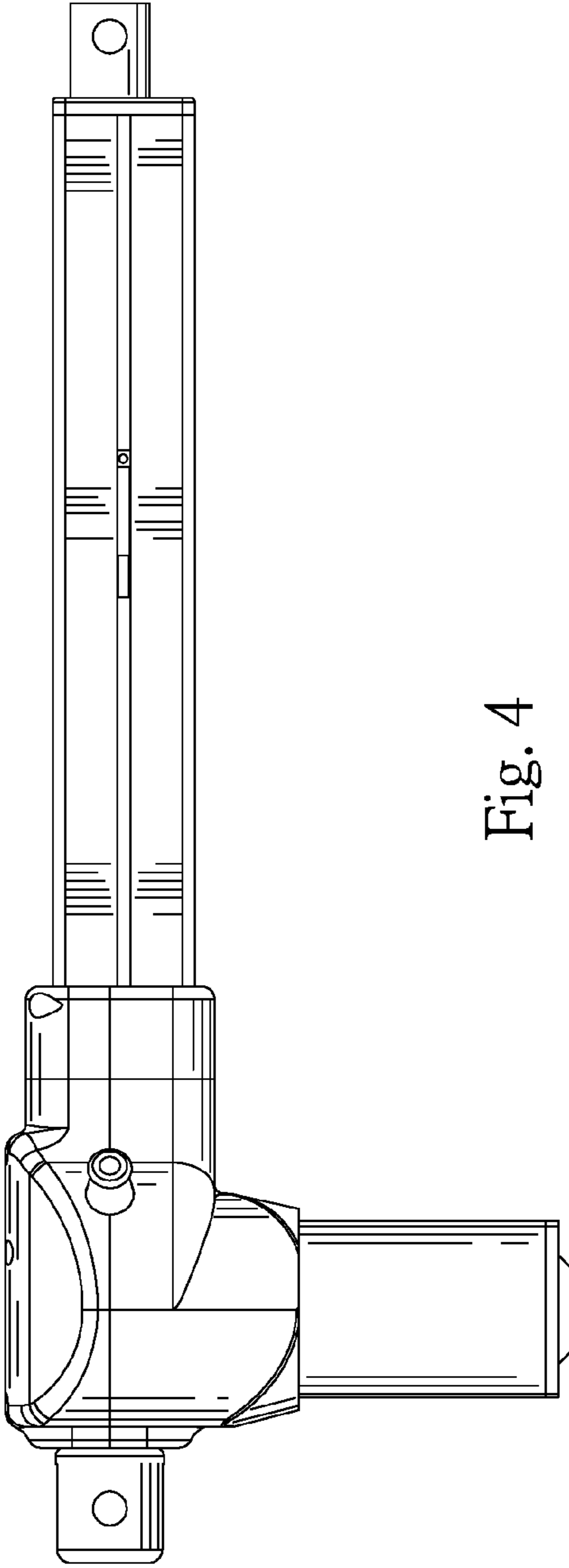


Fig. 4

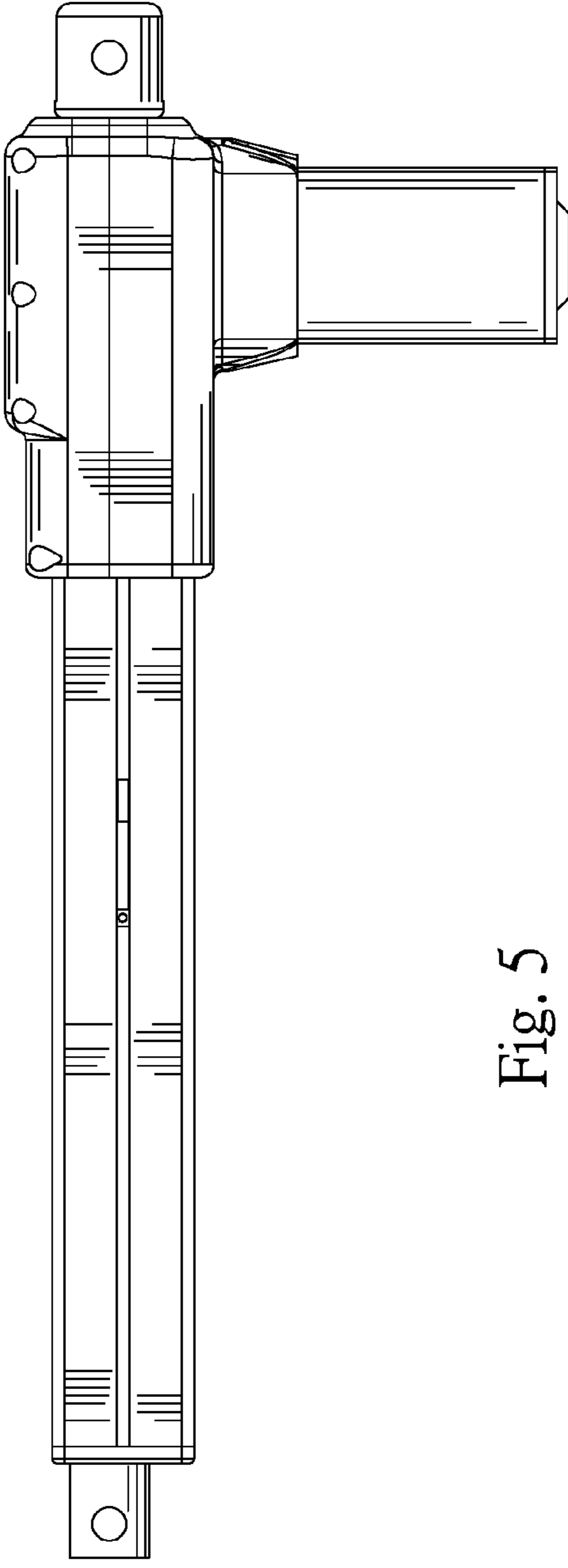


Fig. 5

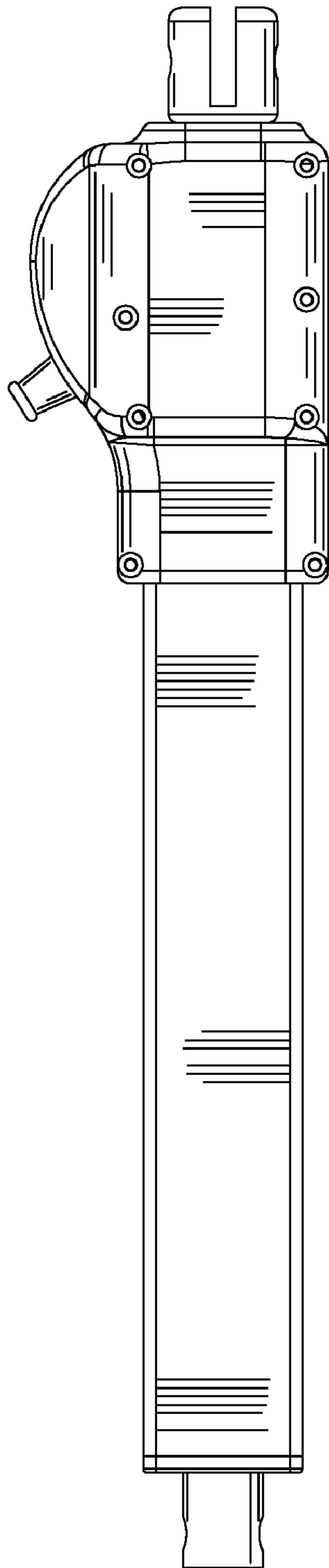


Fig. 6

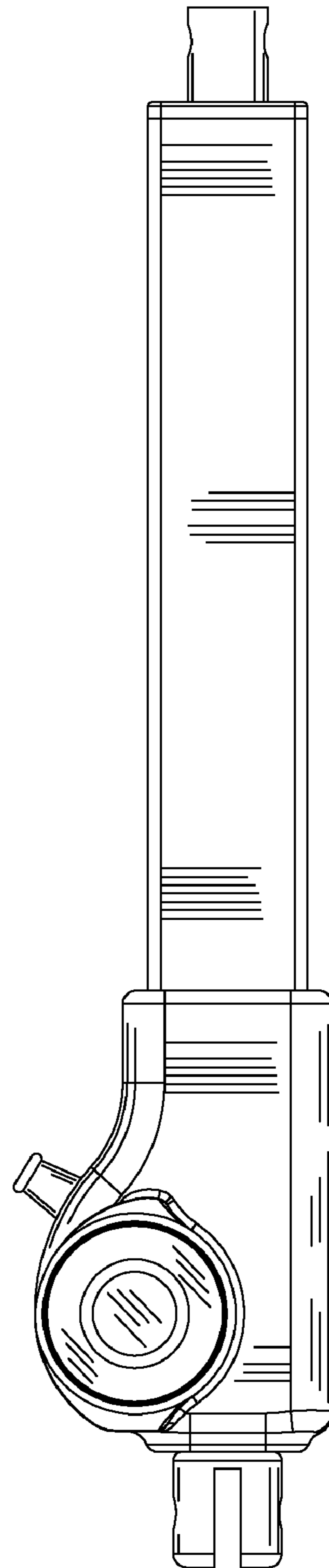


Fig. 7