



US00D625744S

(12) **United States Design Patent**
Wang

(10) **Patent No.:** **US D625,744 S**

(45) **Date of Patent:** **** Oct. 19, 2010**

(54) **ROLL CUTTER**

2009/0071608 A1* 3/2009 Thomas et al. 156/516

(76) Inventor: **Chin Chang Wang**, 51, Wuchuan Road,
Wugu Industrial Zone, Wugu, Taipei
(TW)

* cited by examiner

Primary Examiner—Patricia Palasik

(**) Term: **14 Years**

(57) **CLAIM**

(21) Appl. No.: **29/363,275**

The ornamental design for a roll cutter, as shown and described.

(22) Filed: **Jun. 8, 2010**

DESCRIPTION

(51) **LOC (9) Cl.** **15-09**

(52) **U.S. Cl.** **D15/127**

(58) **Field of Classification Search** D8/60,
D8/101; D15/127; D18/34.9; 29/27 C,
29/38 A, 558; 82/47, 122, 132; 83/56, 110,
83/411.1, 491, 924; 101/389.1, 421.1; 112/10;
156/493, 510; 225/34, 38, 80, 85, 594.5;
271/258.01; 318/696; 355/29; 399/385;
409/166

See application file for complete search history.

FIG. 1 is a perspective view of a roll cutter showing my new design;

FIG. 2 is a front view thereof;

FIG. 3 is a rear view thereof;

FIG. 4 is a left side view thereof;

FIG. 5 is a right side view thereof;

FIG. 6 is a top plan view thereof;

FIG. 7 is another perspective view thereof;

FIG. 8 is a front perspective view thereof showing an operating state; and,

FIG. 9 is a rear perspective view thereof showing the operating state.

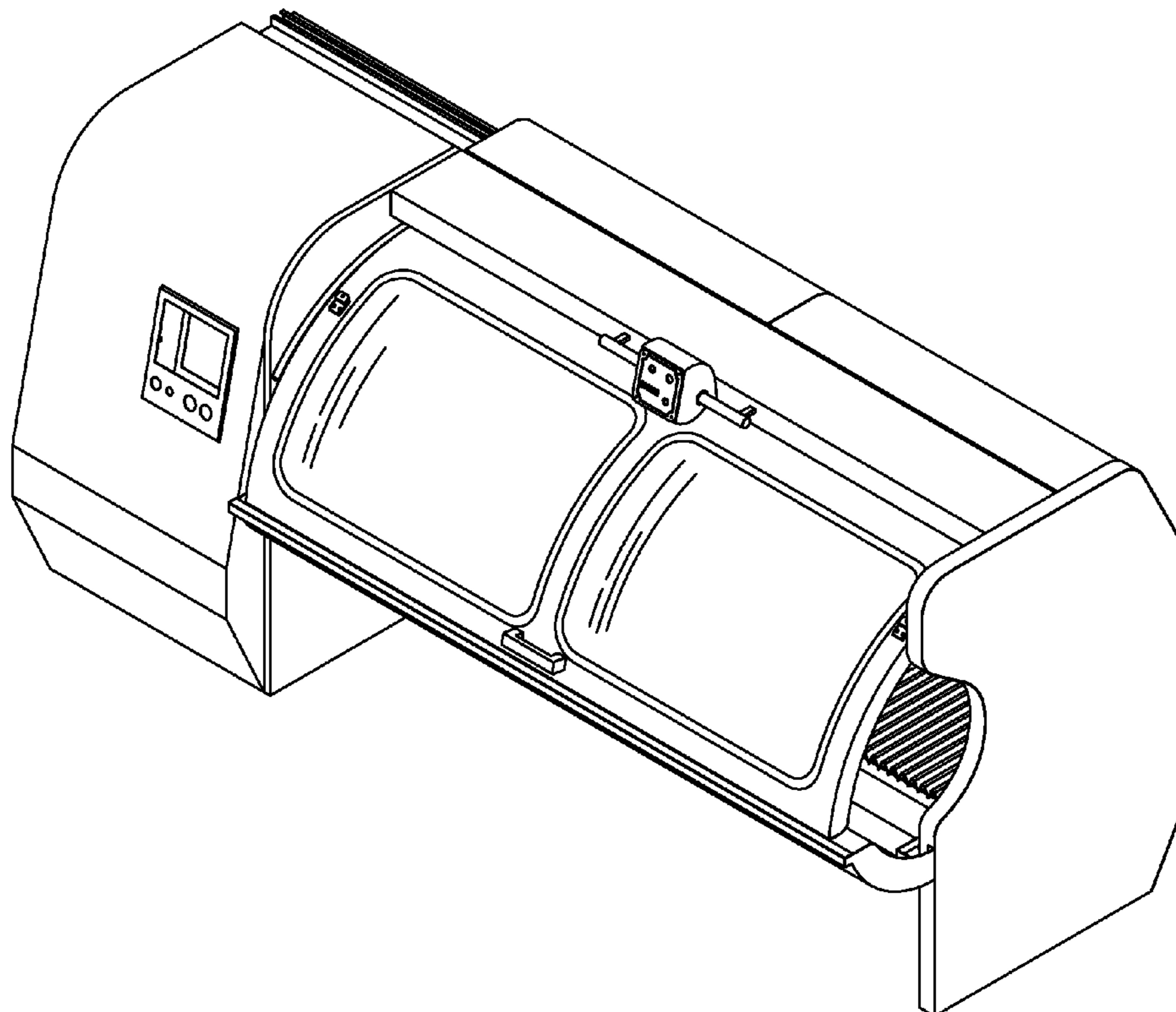
The broken lines in the drawings are for the purpose of illustrating unclaimed portions of the roll cutter and form no part of the claimed design.

(56) **References Cited**

U.S. PATENT DOCUMENTS

D331,066 S *	11/1992	Englert	D15/122
D343,626 S *	1/1994	Fan	D15/127
D399,217 S *	10/1998	Ochi	D15/127
5,964,024 A *	10/1999	Wallace	29/558
D445,807 S *	7/2001	Baulk	D15/127
6,282,766 B1 *	9/2001	Wallace	29/27 C
D604,344 S *	11/2009	Weingart et al.	D15/127

1 Claim, 9 Drawing Sheets



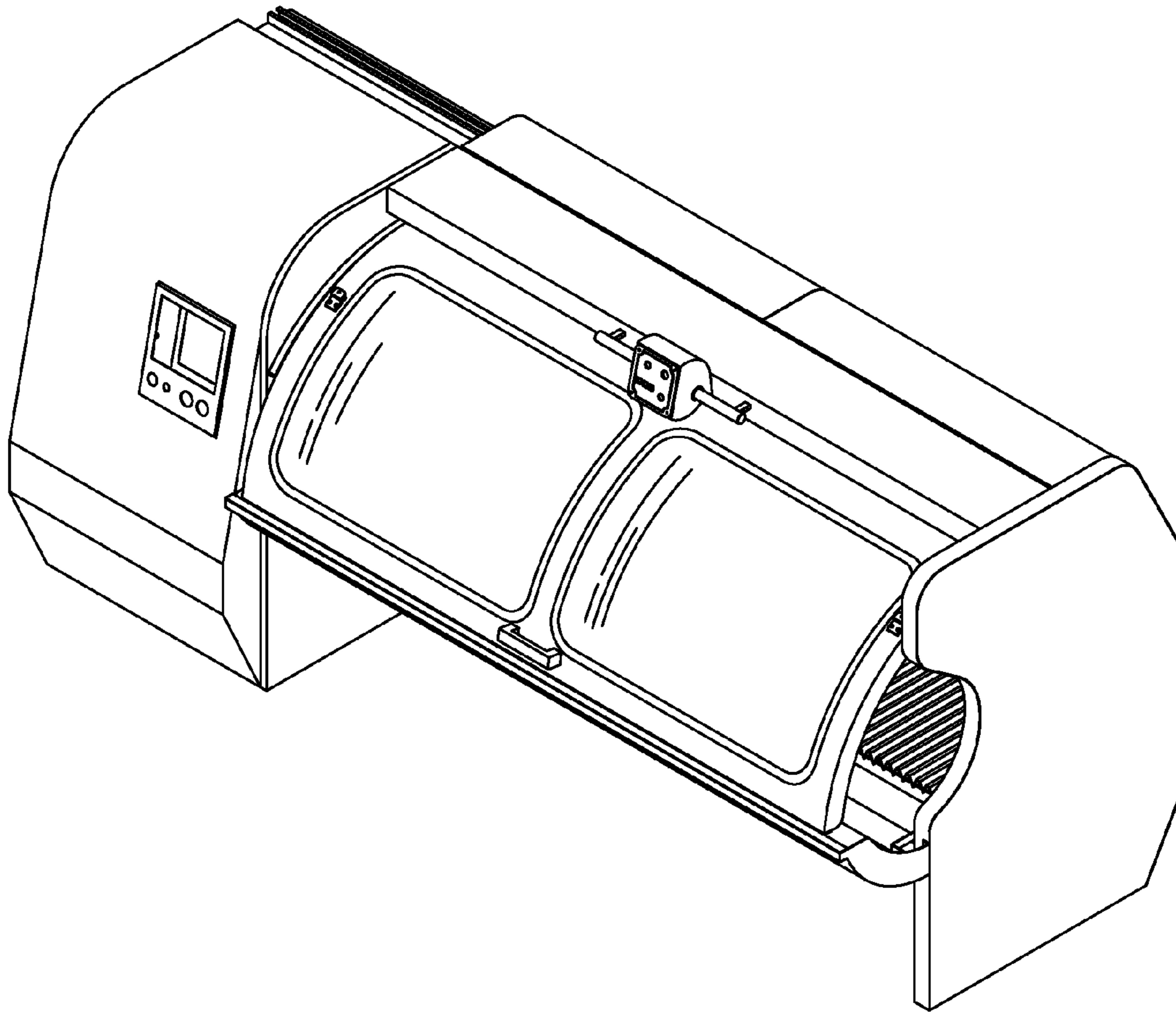


FIG.1

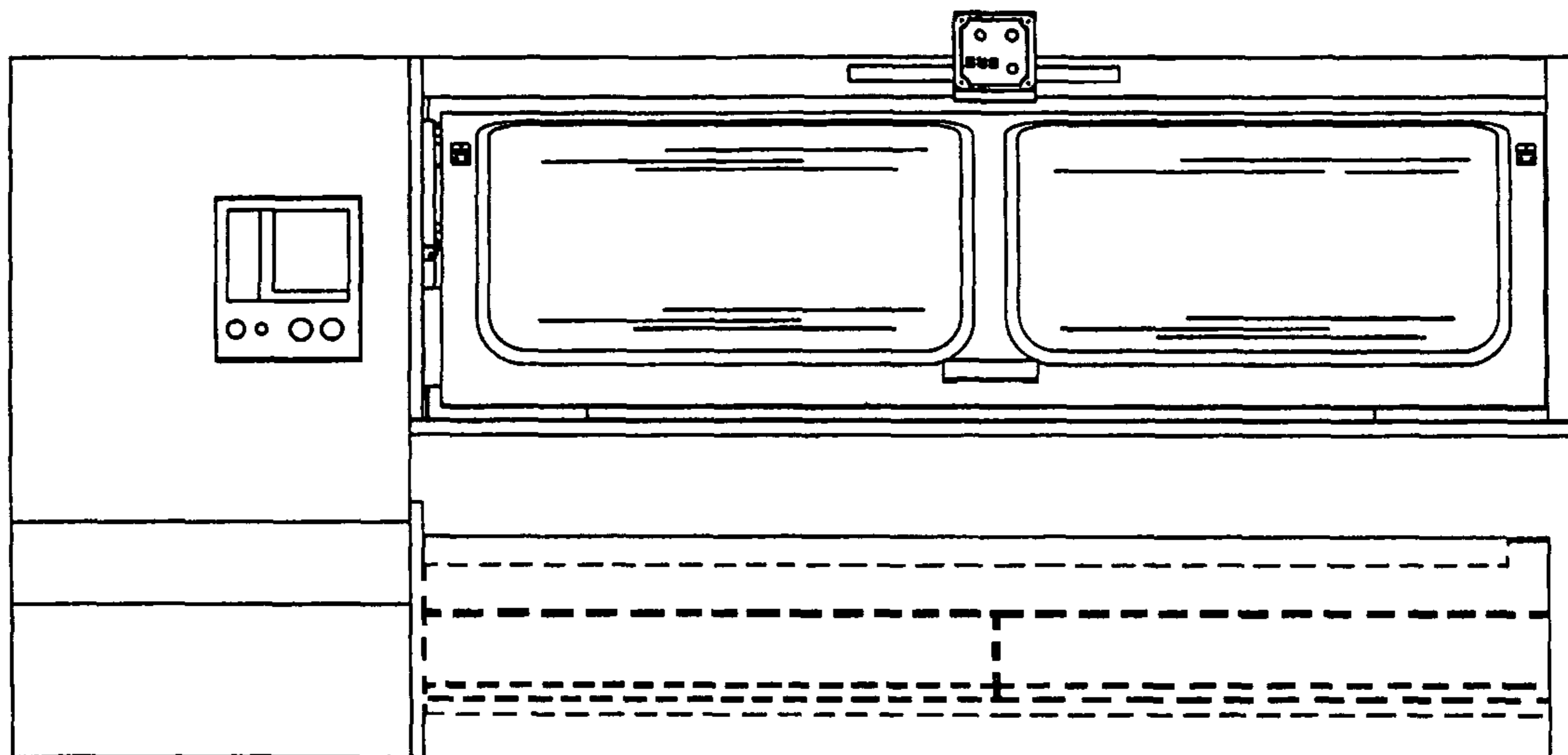


FIG.2

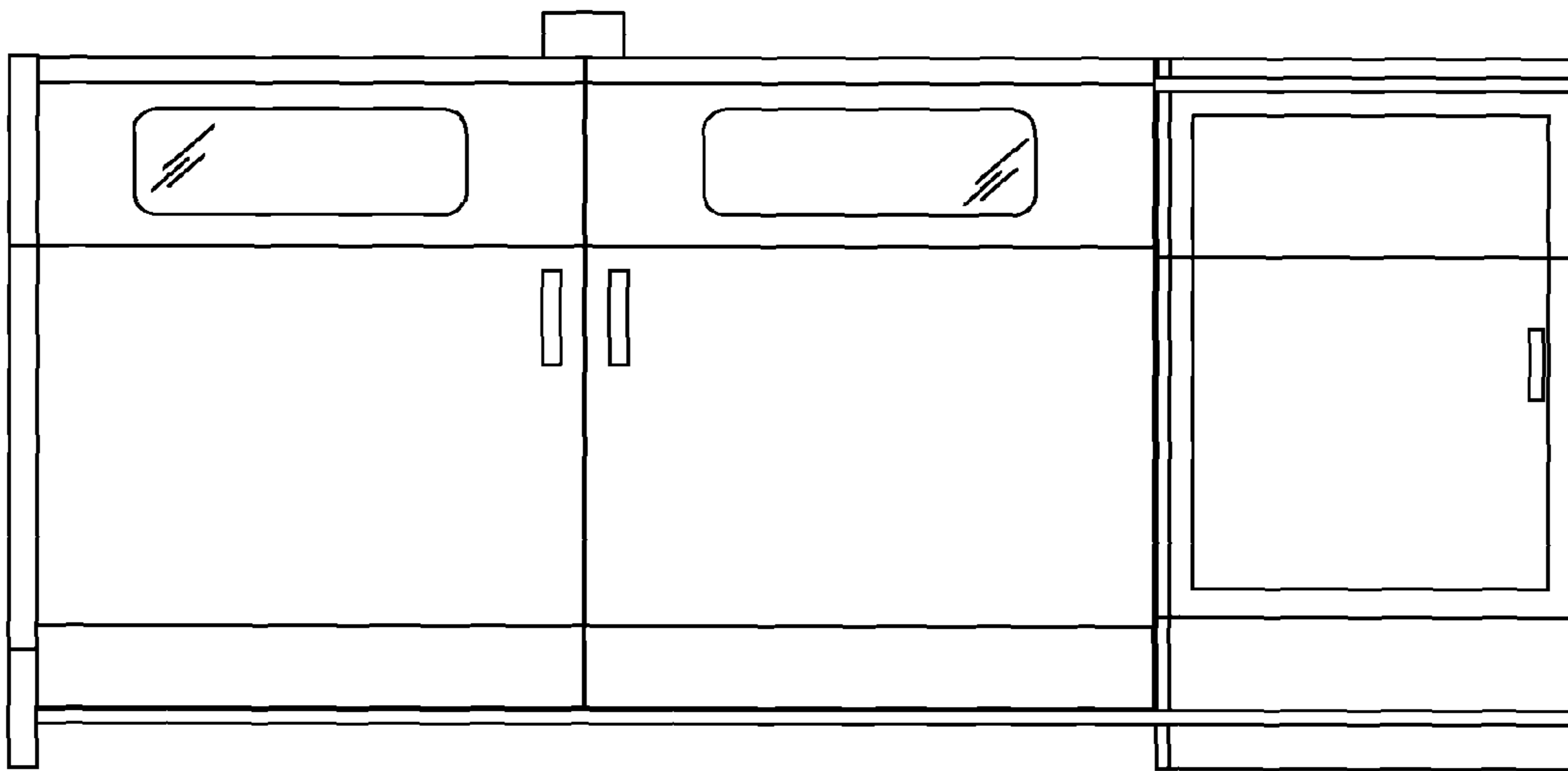


FIG.3

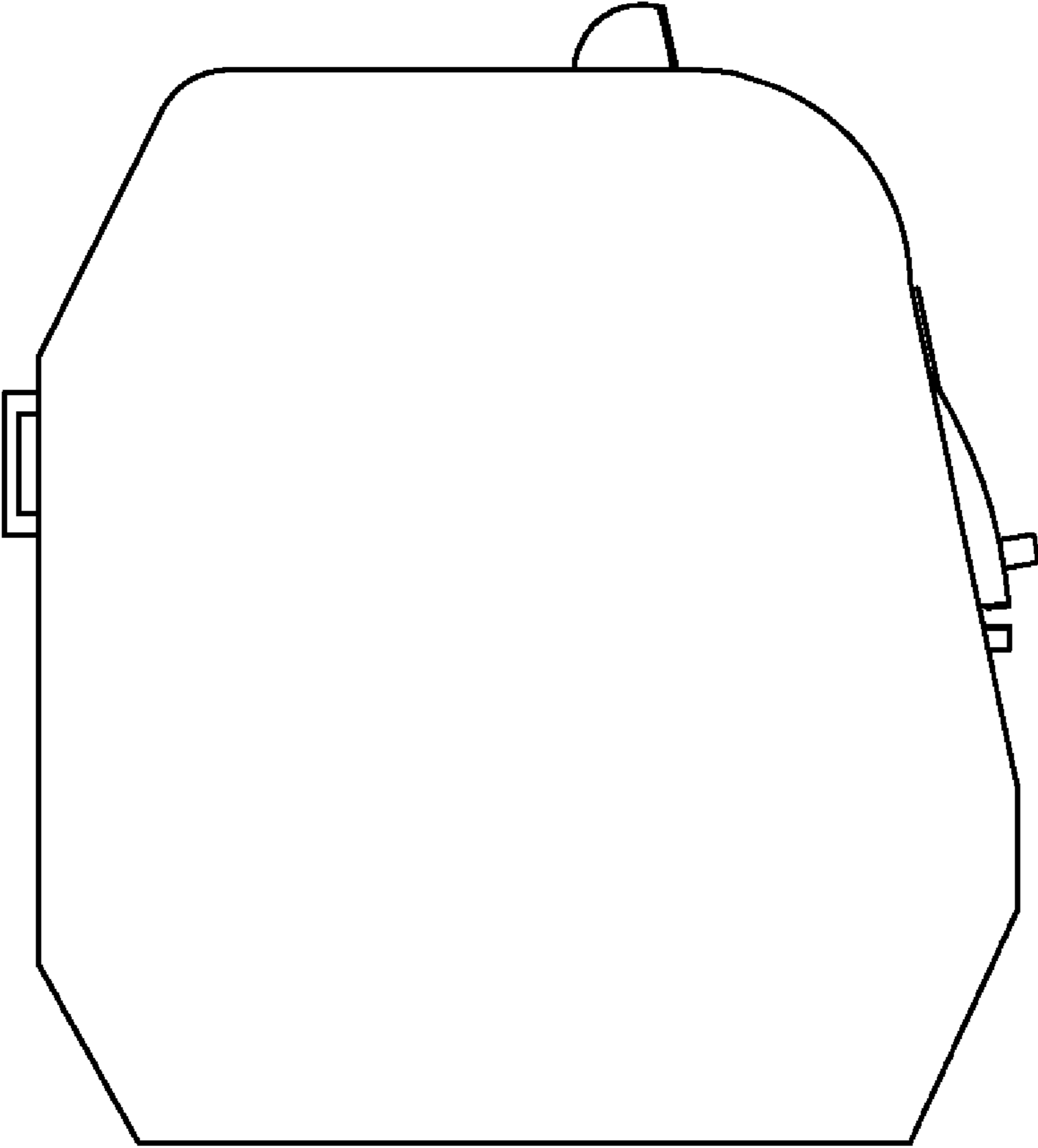


FIG.4

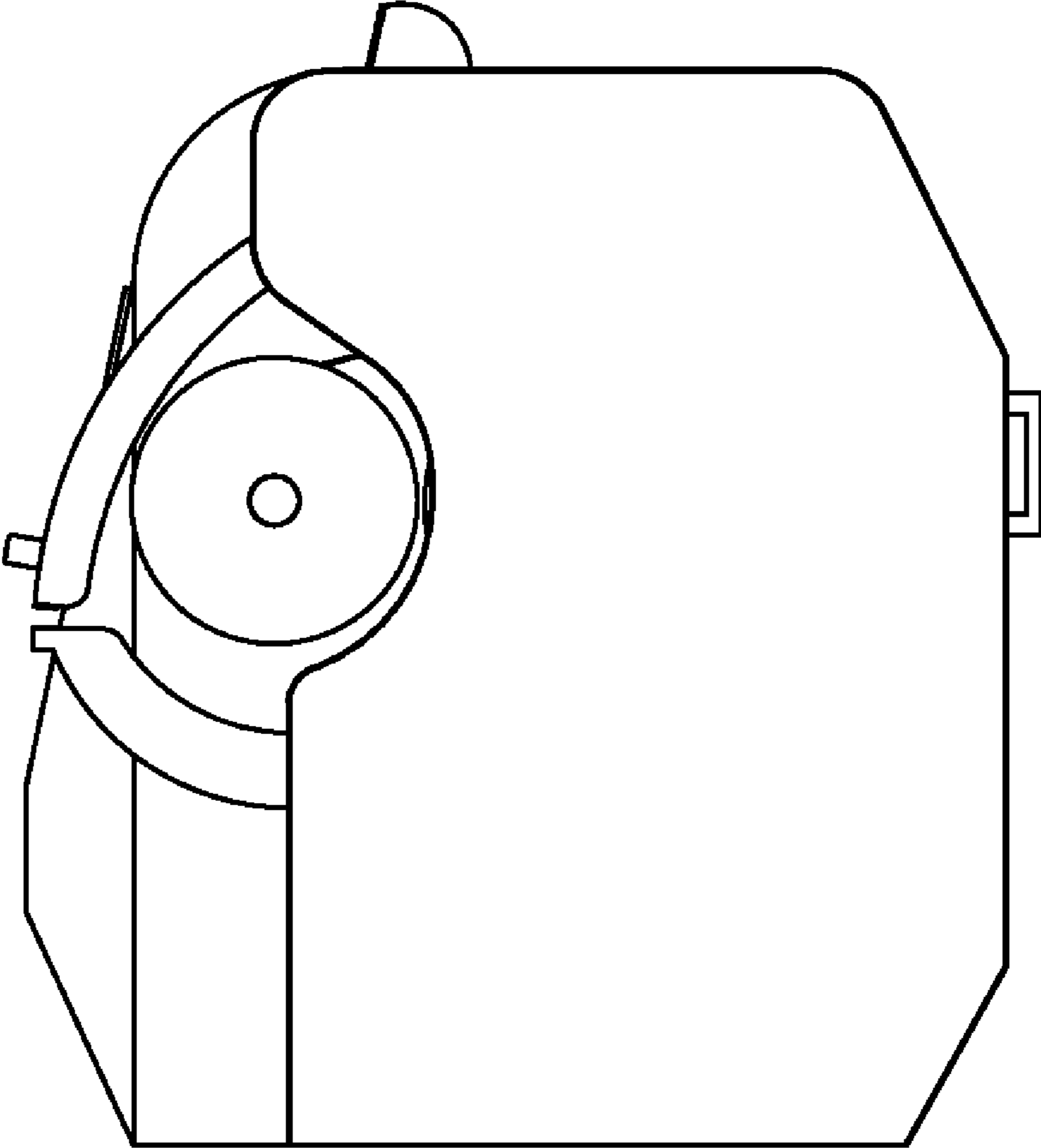


FIG.5

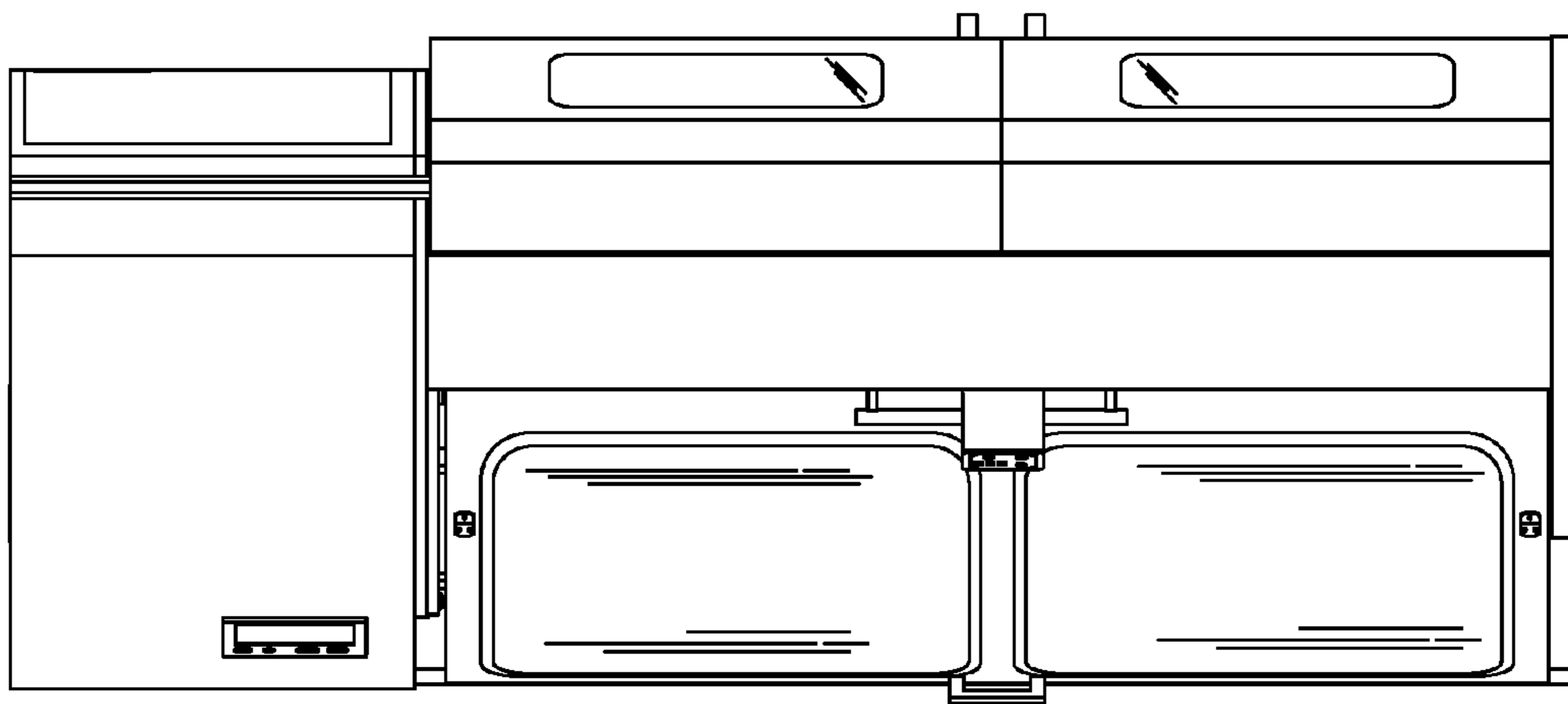


FIG.6

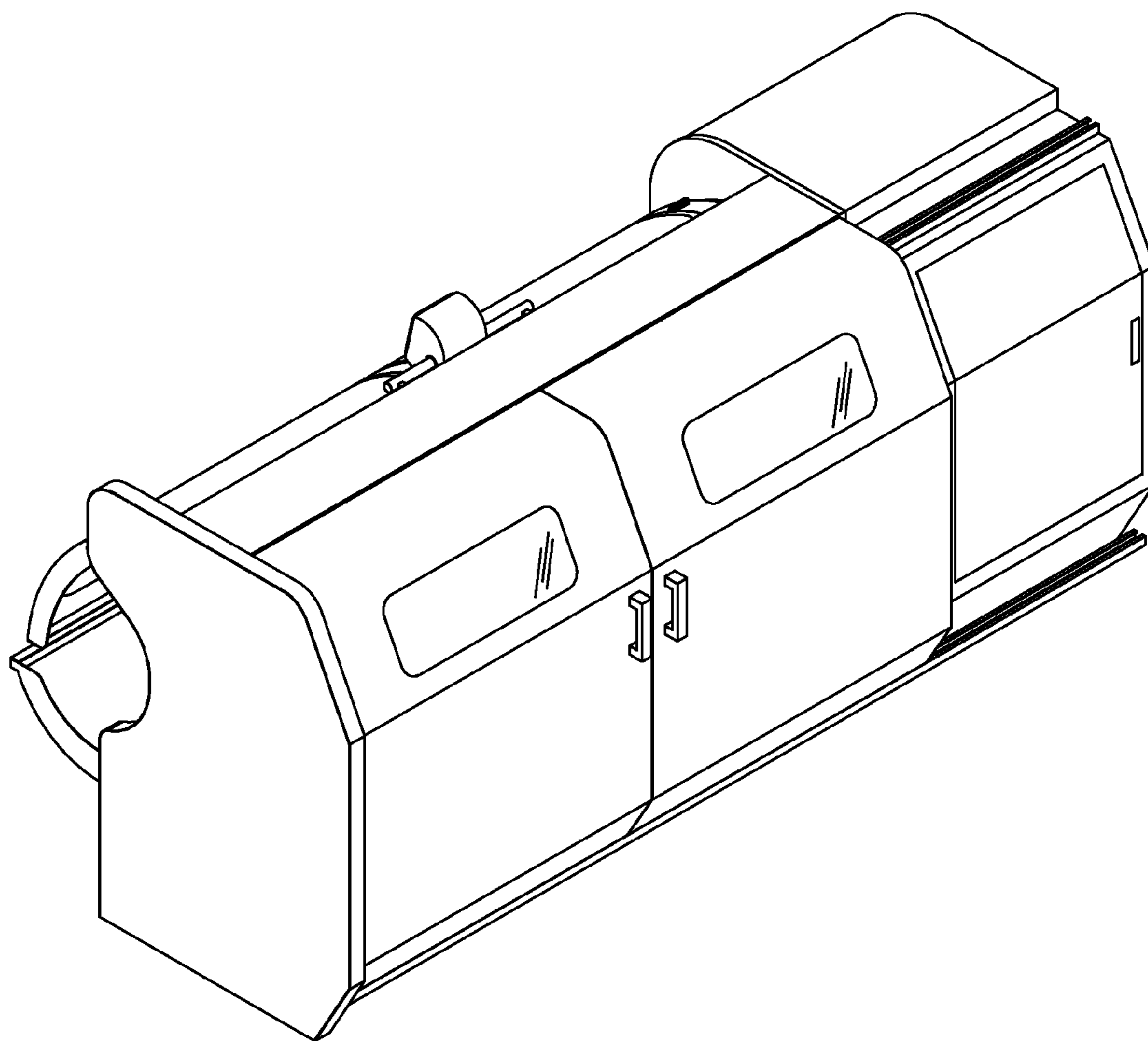


FIG. 7

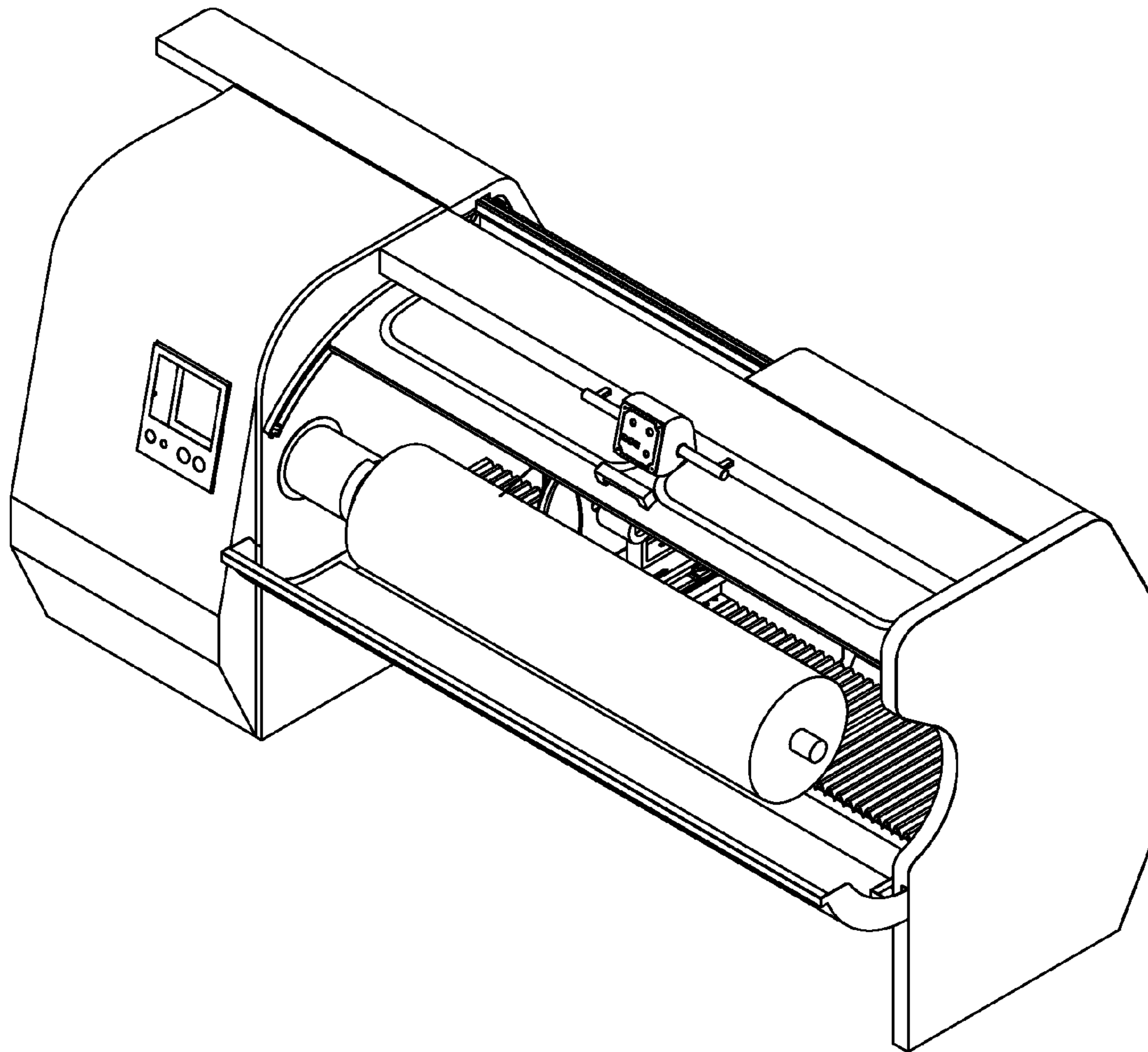


FIG.8

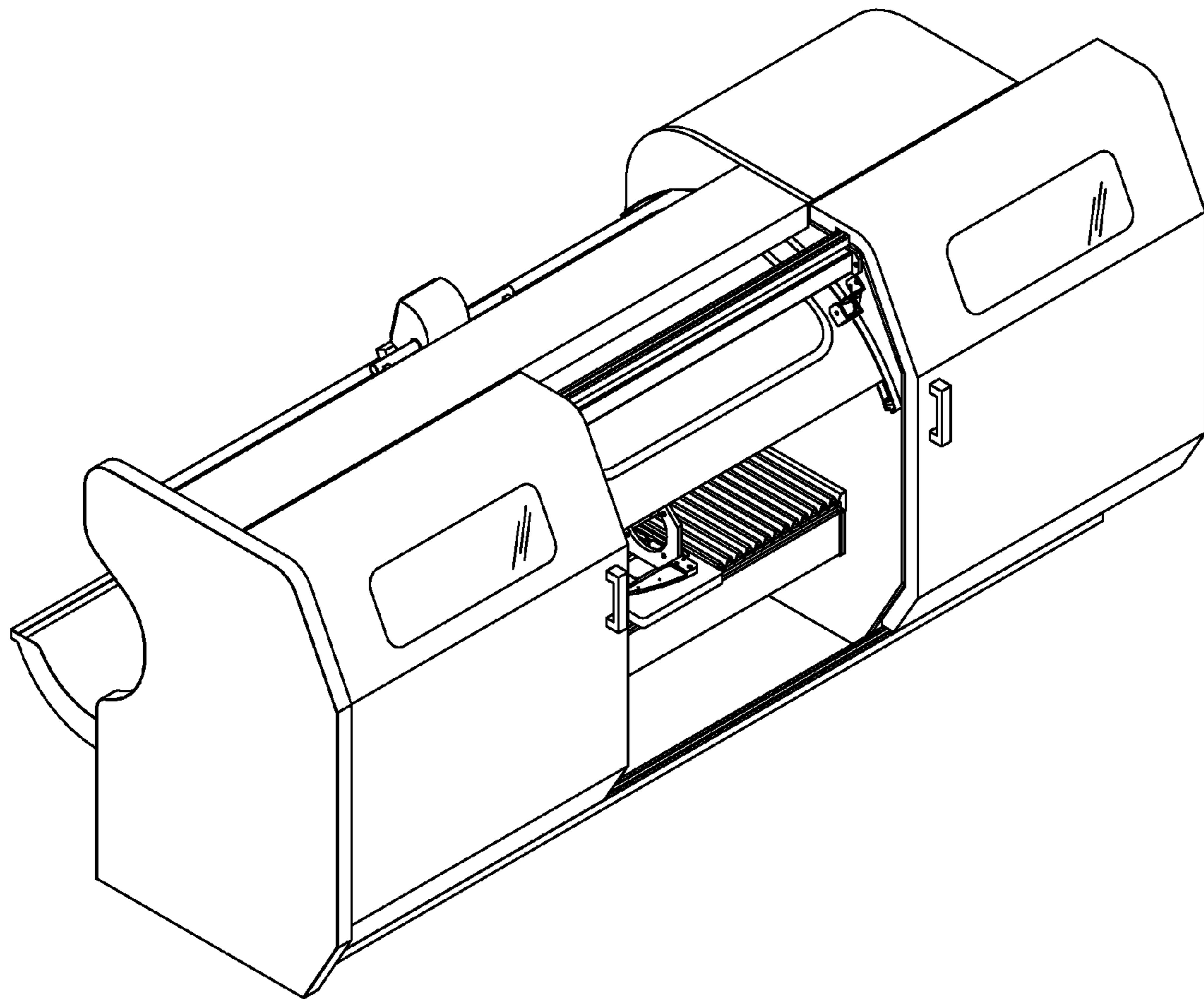


FIG.9