



US00D625743S

(12) **United States Design Patent**
Jansson

(10) **Patent No.:** **US D625,743 S**

(45) **Date of Patent:** **** Oct. 19, 2010**

(54) **TRUING TOOL FOR A GRINDSTONE**

(75) Inventor: **Torgny Jansson**, Lindesberg (SE)

(73) Assignee: **TJ Utveckling AB**, Lindesberg (SE)

(**) Term: **14 Years**

(21) Appl. No.: **29/347,778**

(22) Filed: **Jun. 2, 2010**

Related U.S. Application Data

(63) Continuation of application No. 11/822,593, filed on Jul. 9, 2007, now abandoned.

Foreign Application Priority Data

Jul. 11, 2006 (SE) 0601530-9

(51) **LOC (9) Cl.** **15-09**

(52) **U.S. Cl.** **D15/126**

(58) **Field of Classification Search** D8/70,
D8/71, 72; D15/124, 126, 140; 125/11.01–11.09,
125/11.11, 11.13, 11.14, 11.15, 11.16, 11.17,
125/11.19, 11.22; 451/5, 7, 8, 11, 21, 24,
451/28, 51, 56, 72, 123, 143, 221, 223, 239,
451/294, 342, 343, 541

See application file for complete search history.

(56) **References Cited**

U.S. PATENT DOCUMENTS

1,596,701 A * 8/1926 Williams 125/11.15

1,834,179 A * 12/1931 Place 451/223
1,979,536 A * 11/1934 Edgar 125/11.11
2,178,842 A * 11/1939 Paine 125/11.15
2,190,132 A * 2/1940 Alvord 125/11.07
2,220,647 A * 11/1940 Harley 125/11.05
2,309,924 A * 2/1943 Root 125/11.14
2,647,504 A * 8/1953 Hill 125/11.05
4,551,950 A * 11/1985 Unno et al. 451/5
2009/0156104 A1 * 6/2009 Kim et al. 451/254
2009/0280726 A1 * 11/2009 Kasuga et al. 451/56
2009/0305618 A1 * 12/2009 Morita et al. 451/443

* cited by examiner

Primary Examiner—Patricia Palasik

(74) *Attorney, Agent, or Firm*—Breiner & Breiner, L.L.C.

(57) **CLAIM**

The ornamental design for a truing tool for a grindstone, as shown and described.

DESCRIPTION

FIG. 1 is a front side view of the invention;
FIG. 2 is a top plan view of the invention;
FIG. 3 is a first end view of the invention;
FIG. 4 is a second end view of the invention;
FIG. 5 is a rear side view of the invention;
FIG. 6 is a bottom plan view of the invention;
FIG. 7 is a rear perspective view of the invention; and,
FIG. 8 is a bottom perspective view of the invention.

1 Claim, 2 Drawing Sheets

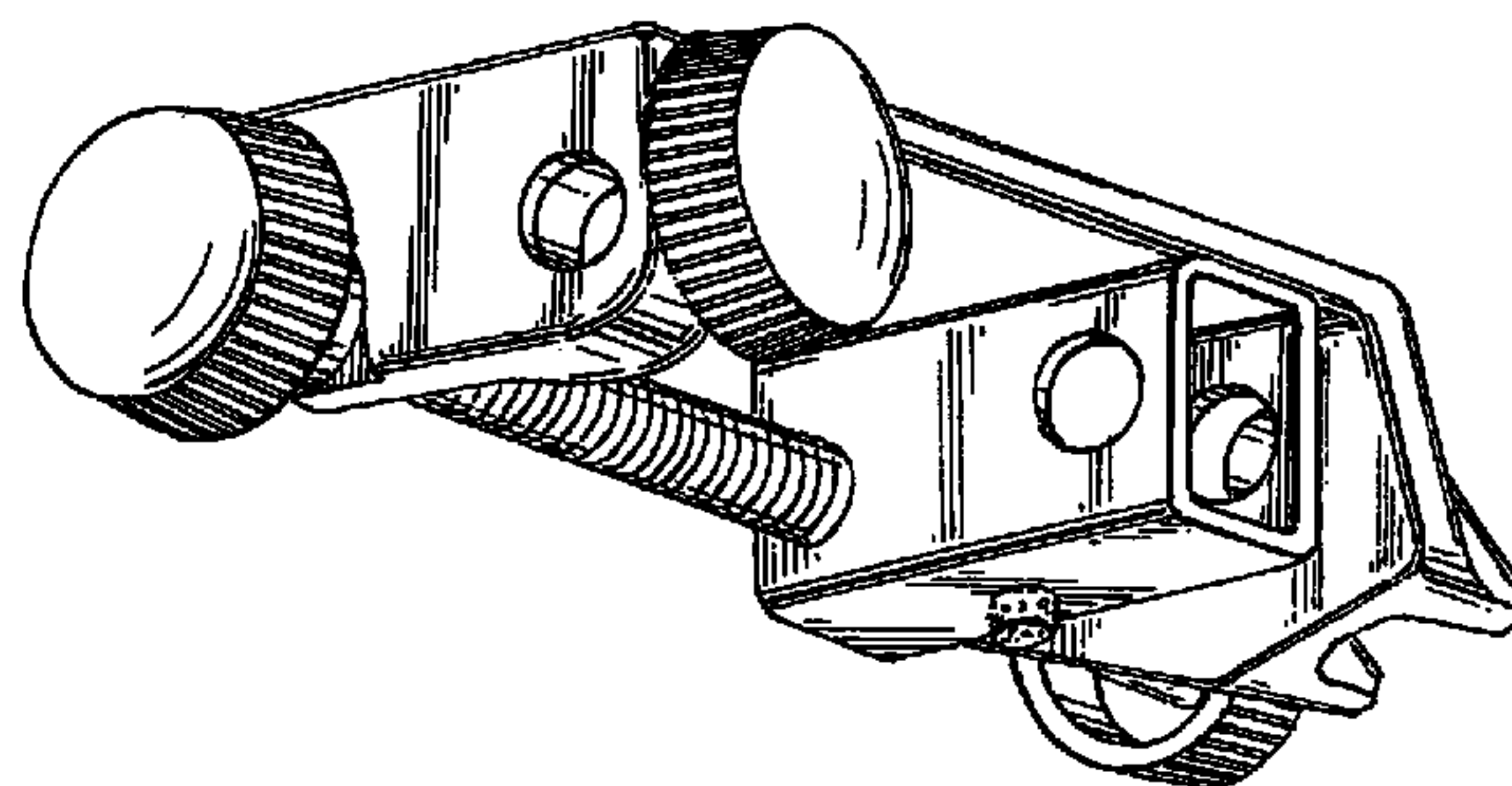
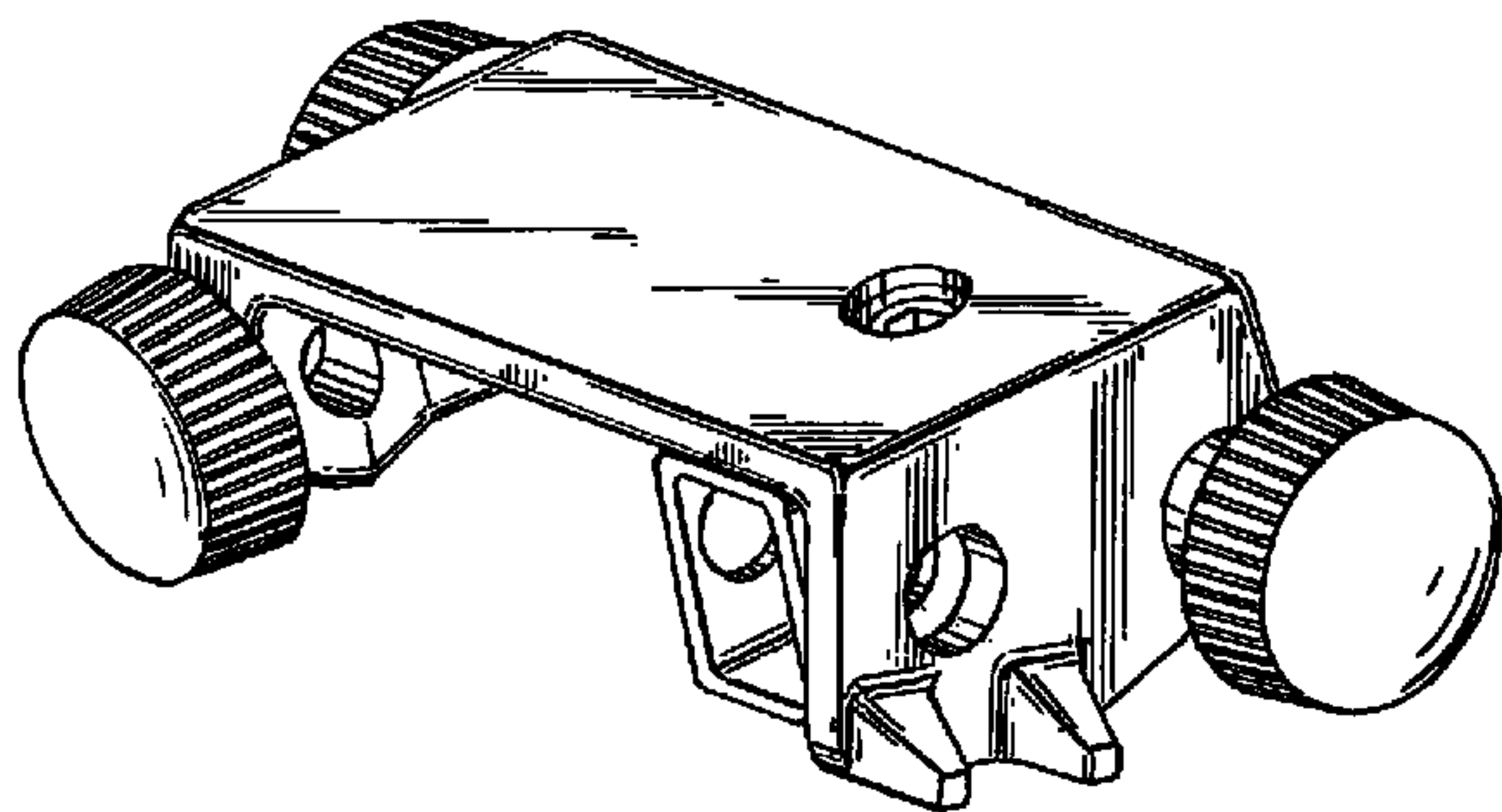


FIG. 1

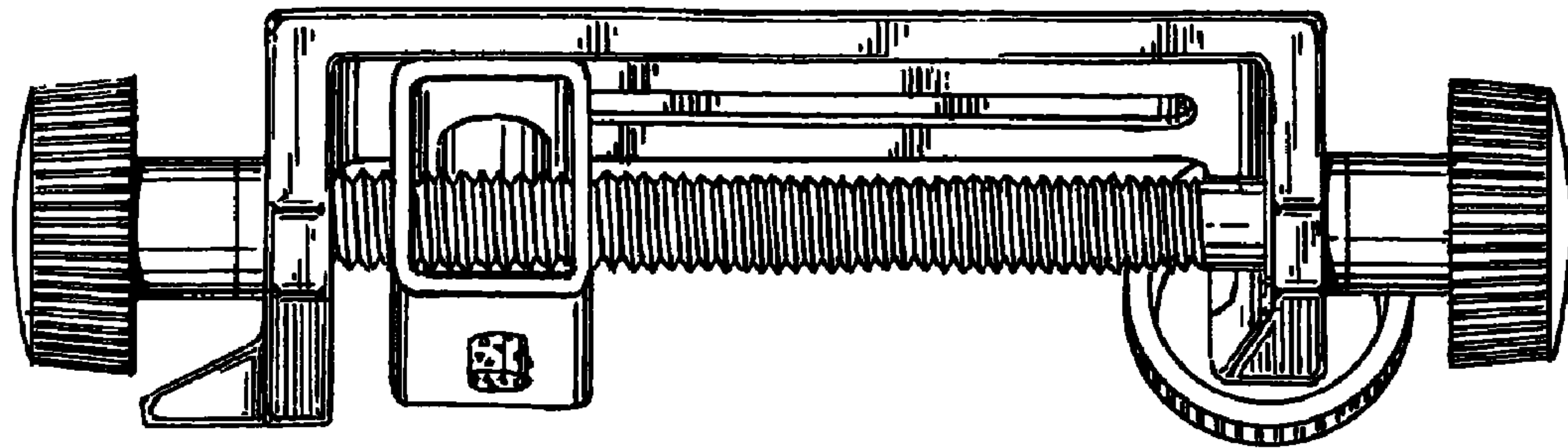


FIG. 2

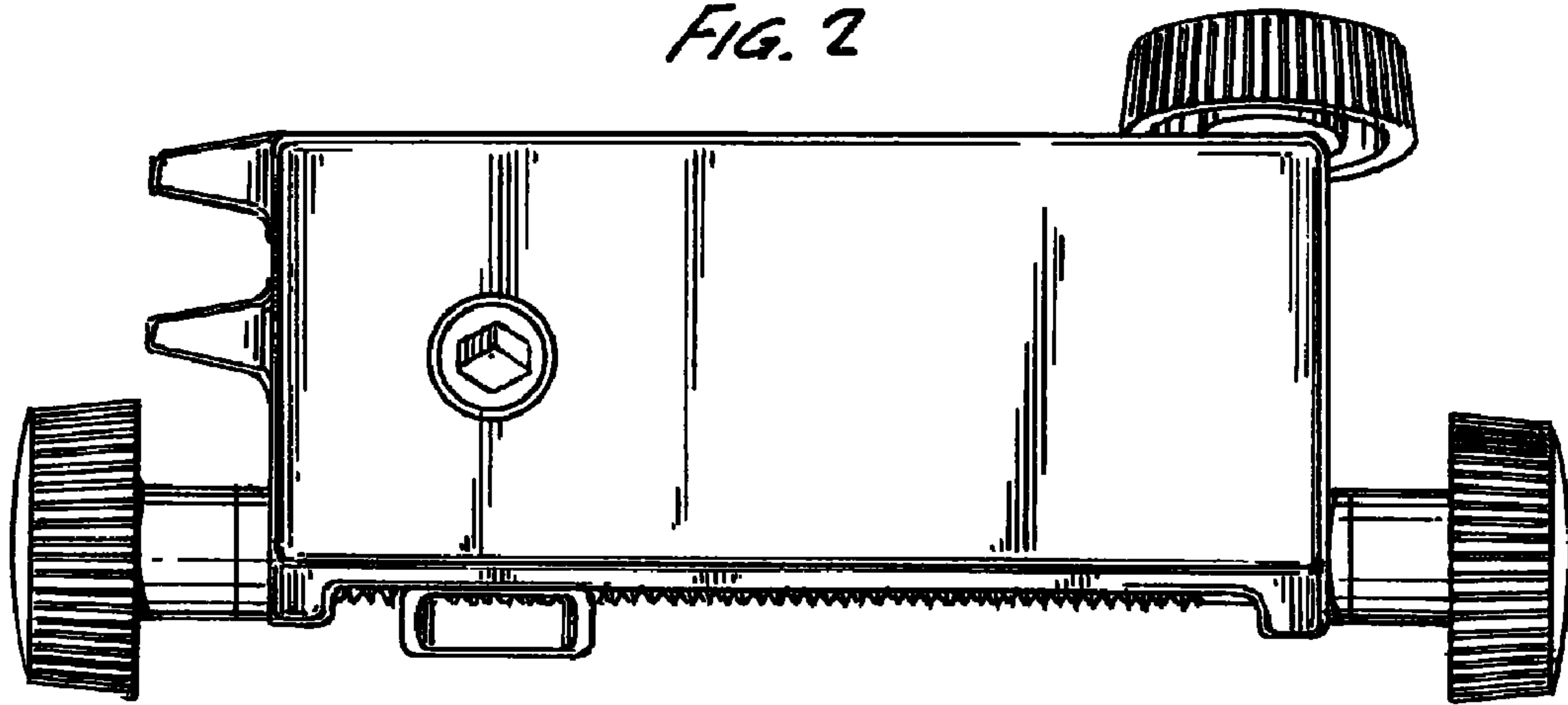


FIG. 3

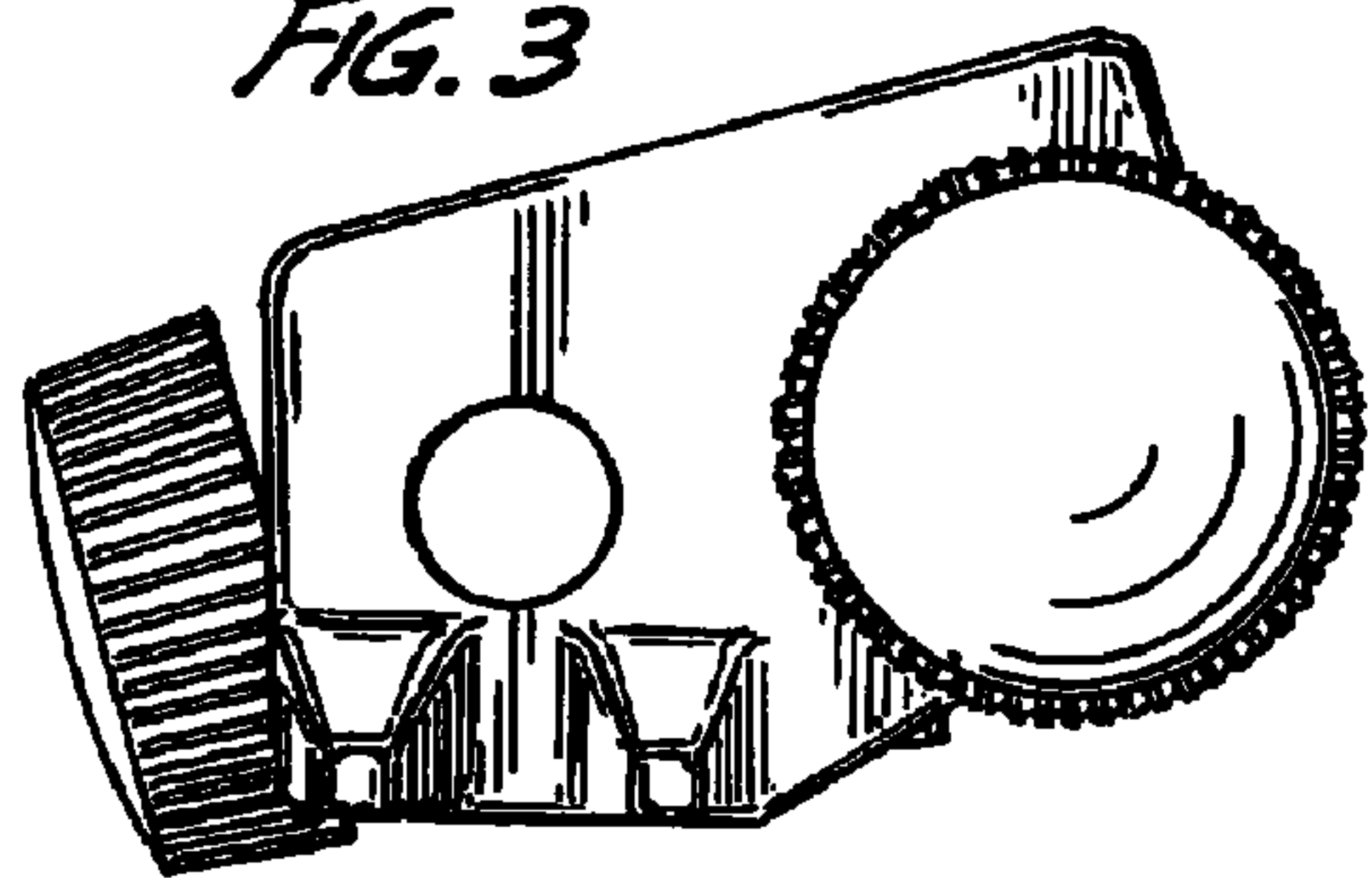


FIG. 4

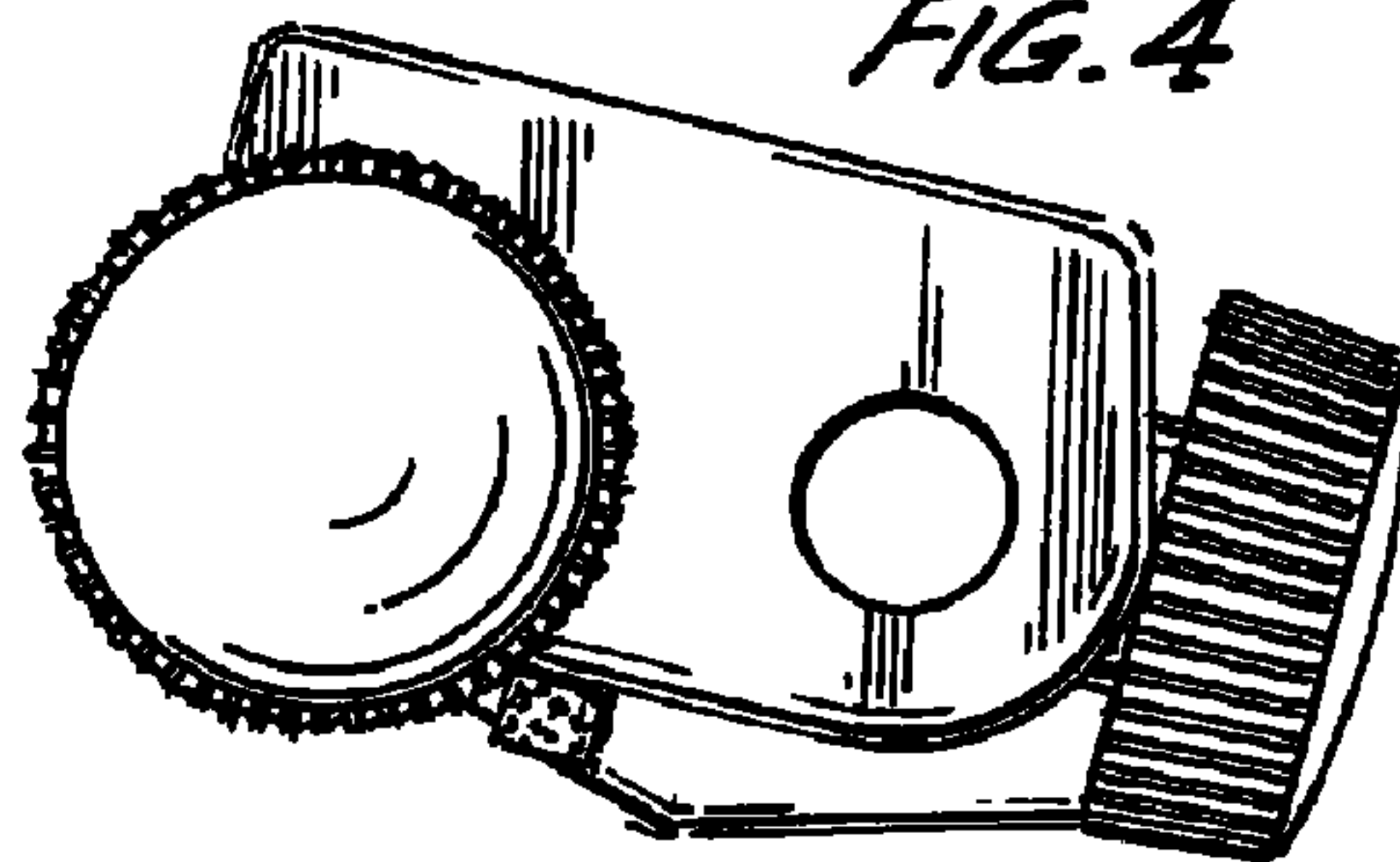


FIG. 5

