



US00D625742S

(12) **United States Design Patent**
Jebb

(10) **Patent No.:** **US D625,742 S**

(45) **Date of Patent:** **** Oct. 19, 2010**

(54) **BELT AND DISC SANDER**

(76) **Inventor:** **David Jebb**, Hill Farm, Sleep Hill Lane,
Skelbrooke, Doncaster (GB) DN6 8LZ

(**) **Term:** **14 Years**

(21) **Appl. No.:** **29/339,480**

(22) **Filed:** **Jun. 30, 2009**

(51) **LOC (9) Cl.** **15-09**

(52) **U.S. Cl.** **D15/125**

(58) **Field of Classification Search** D8/62;
D15/124, 125, 126; 451/64, 65, 114, 124,
451/158, 178, 231, 259, 296, 364, 391, 461
See application file for complete search history.

(56) **References Cited**

U.S. PATENT DOCUMENTS

D275,014	S	*	8/1984	Haenel et al.	D15/124
4,924,633	A	*	5/1990	Hock et al.	451/303
5,168,656	A	*	12/1992	Jolly et al.	451/310
D341,844	S	*	11/1993	Arehart	D15/124
D355,201	S	*	2/1995	Brickner, Jr.	D15/125
D421,445	S	*	3/2000	Huang	D15/124
D443,283	S	*	6/2001	Lin Ku	D15/124
D447,756	S	*	9/2001	Wang	D15/124
D488,821	S	*	4/2004	Wang	D15/125

* cited by examiner

Primary Examiner—Patricia Palasik
(74) *Attorney, Agent, or Firm*—Sonnenschein Nath &
Rosenthal LLP; Brian R. McGinley

(57) **CLAIM**

The ornamental design for a belt and disc sander, as shown
and described.

DESCRIPTION

FIG. 1 is a perspective of a belt and disc sander embodying the
new design;

FIG. 2 is a rear view of the belt and disc sander illustrated in
FIG. 1;

FIG. 3 is a front view of the belt and disc sander illustrated in
FIG. 1;

FIG. 4 is a left side view of the belt and disc sander illustrated
in FIG. 1;

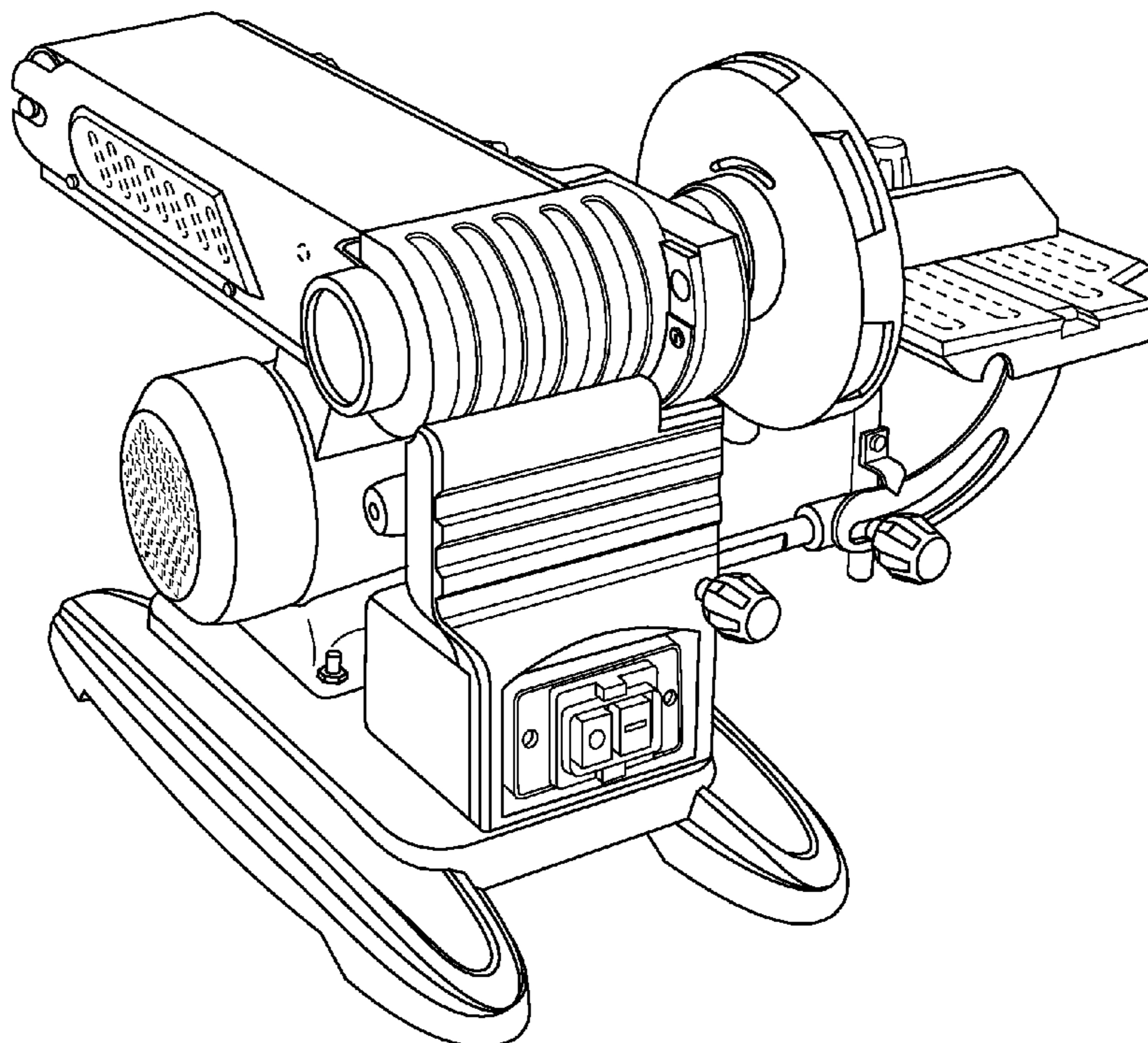
FIG. 5 is a right side view of the belt and disc sander shown in
FIG. 1;

FIG. 6 is a top view of the belt and disc sander illustrated in
FIG. 1; and,

FIG. 7 is a bottom view of the belt and disc sander illustrated
in FIG. 1.

The broken lines in the drawings depict unclaimed environ-
mental subject matter.

1 Claim, 7 Drawing Sheets



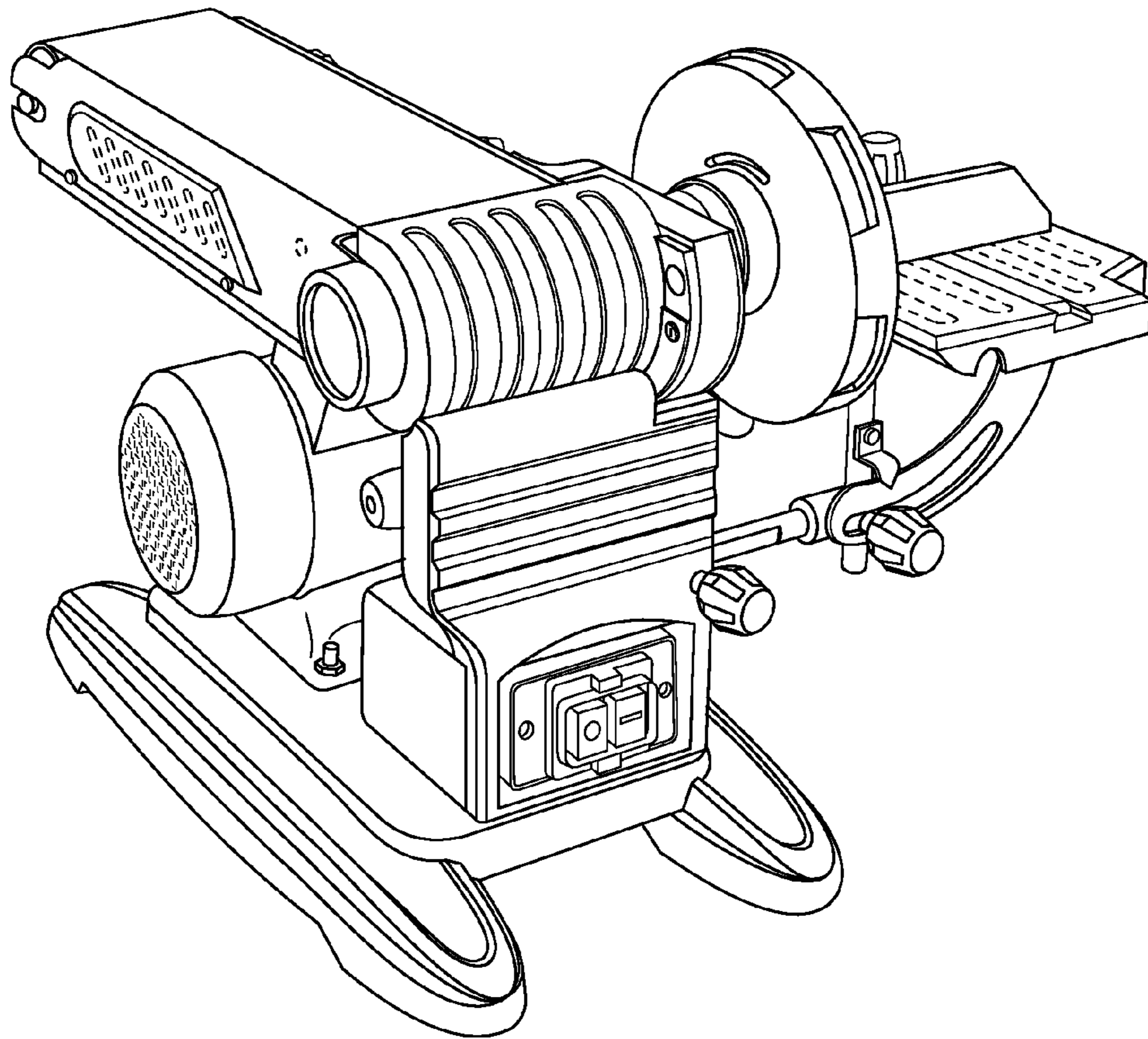


FIG. 1

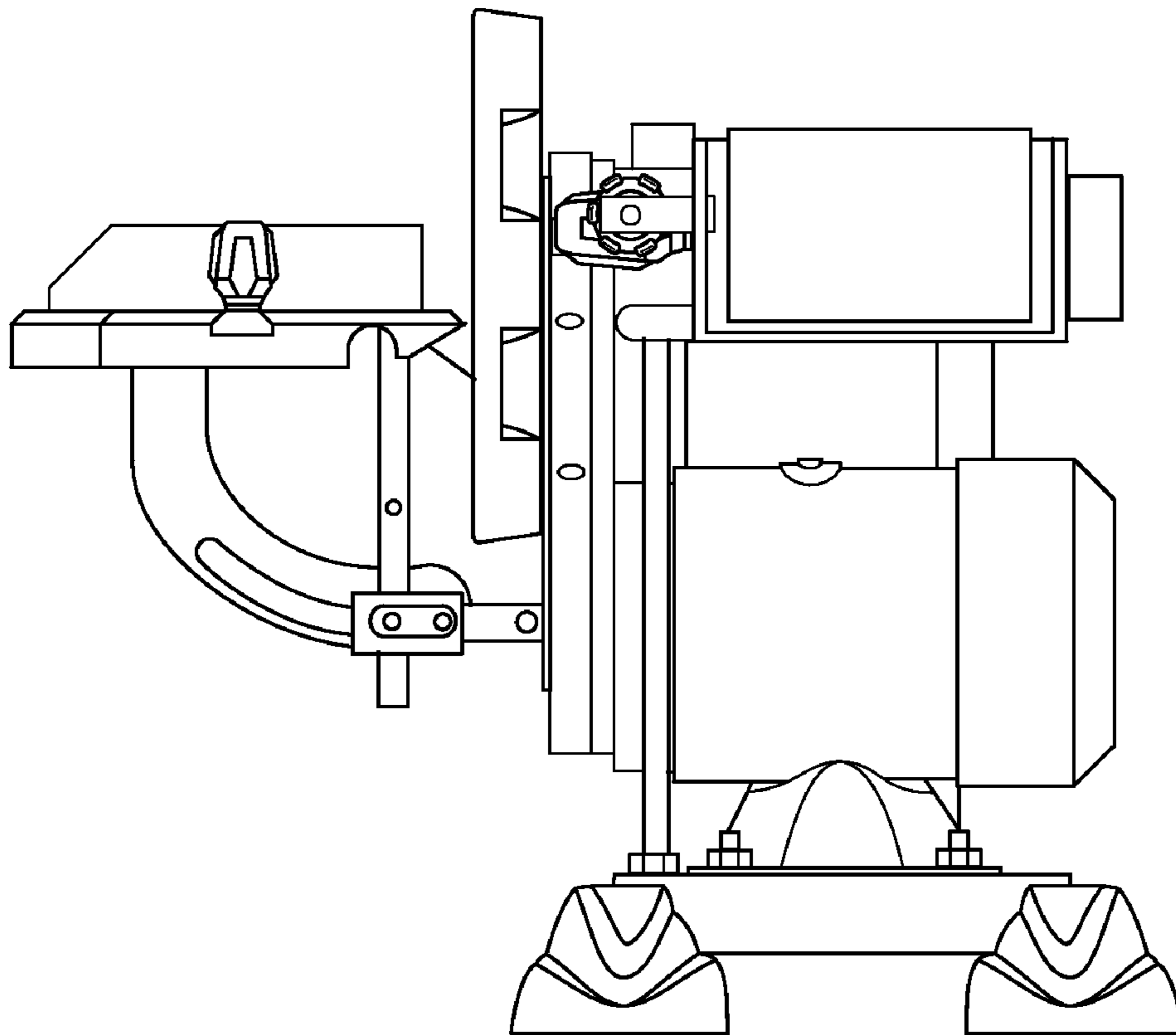


FIG. 2

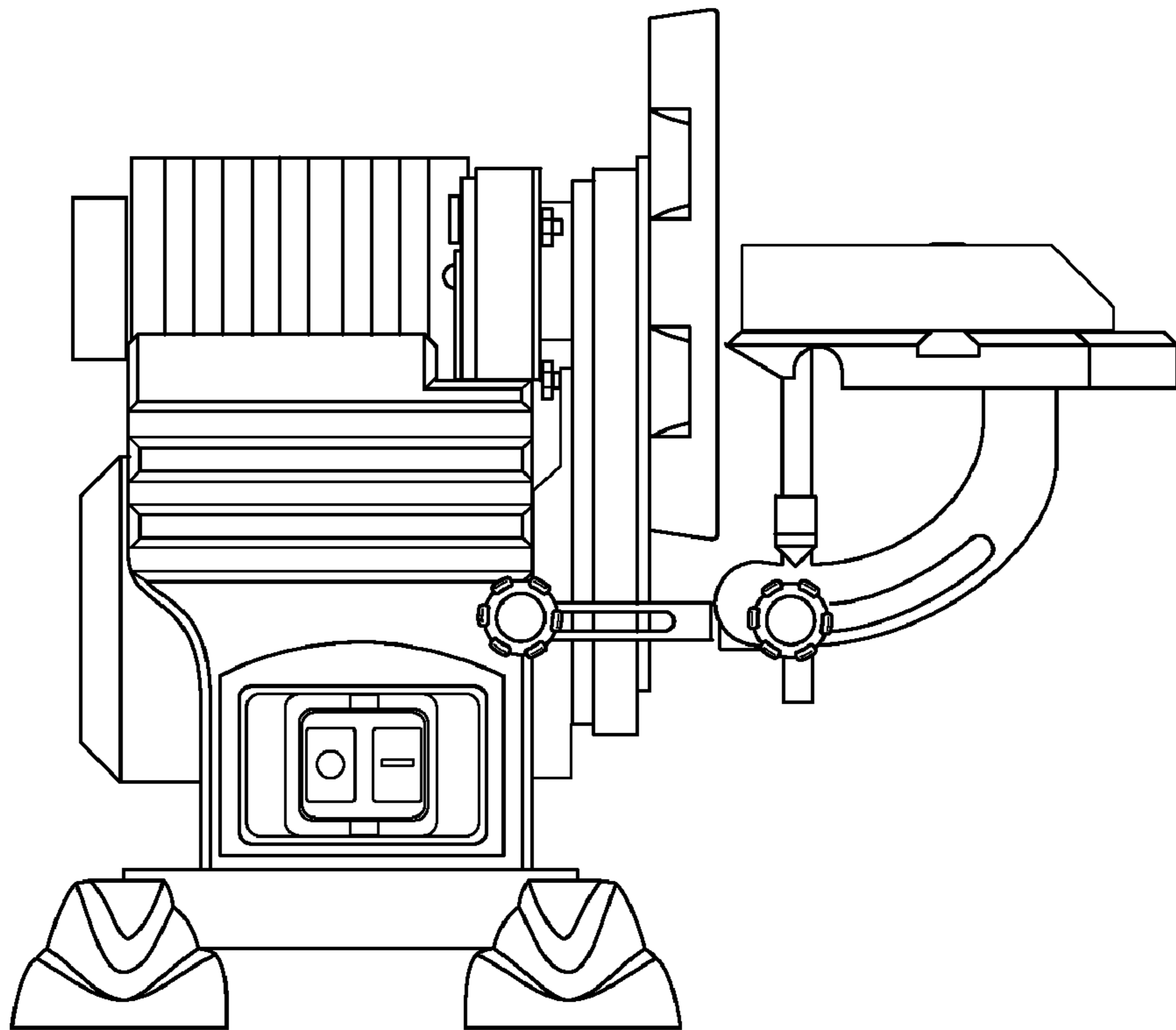


FIG. 3

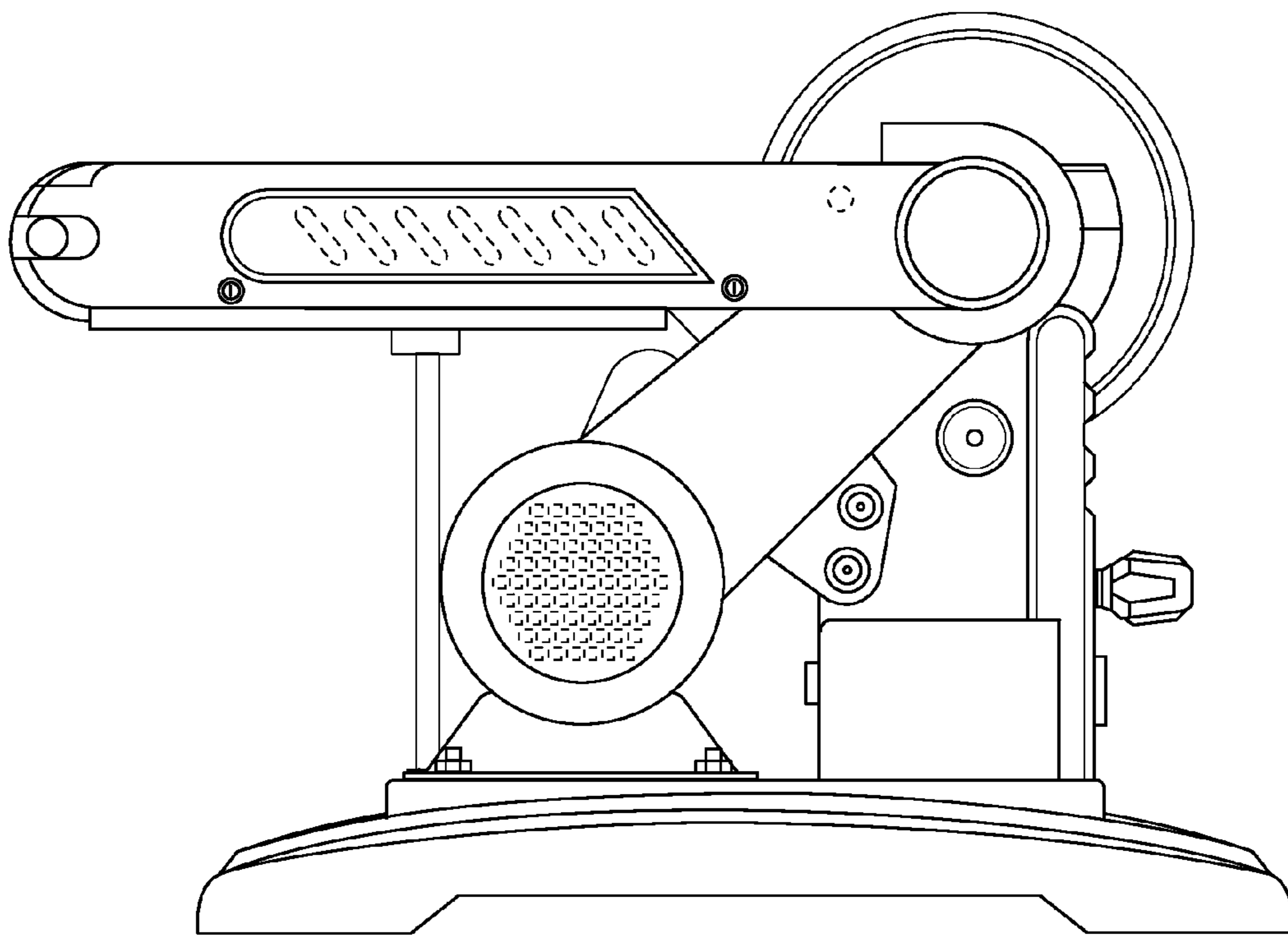


FIG. 4

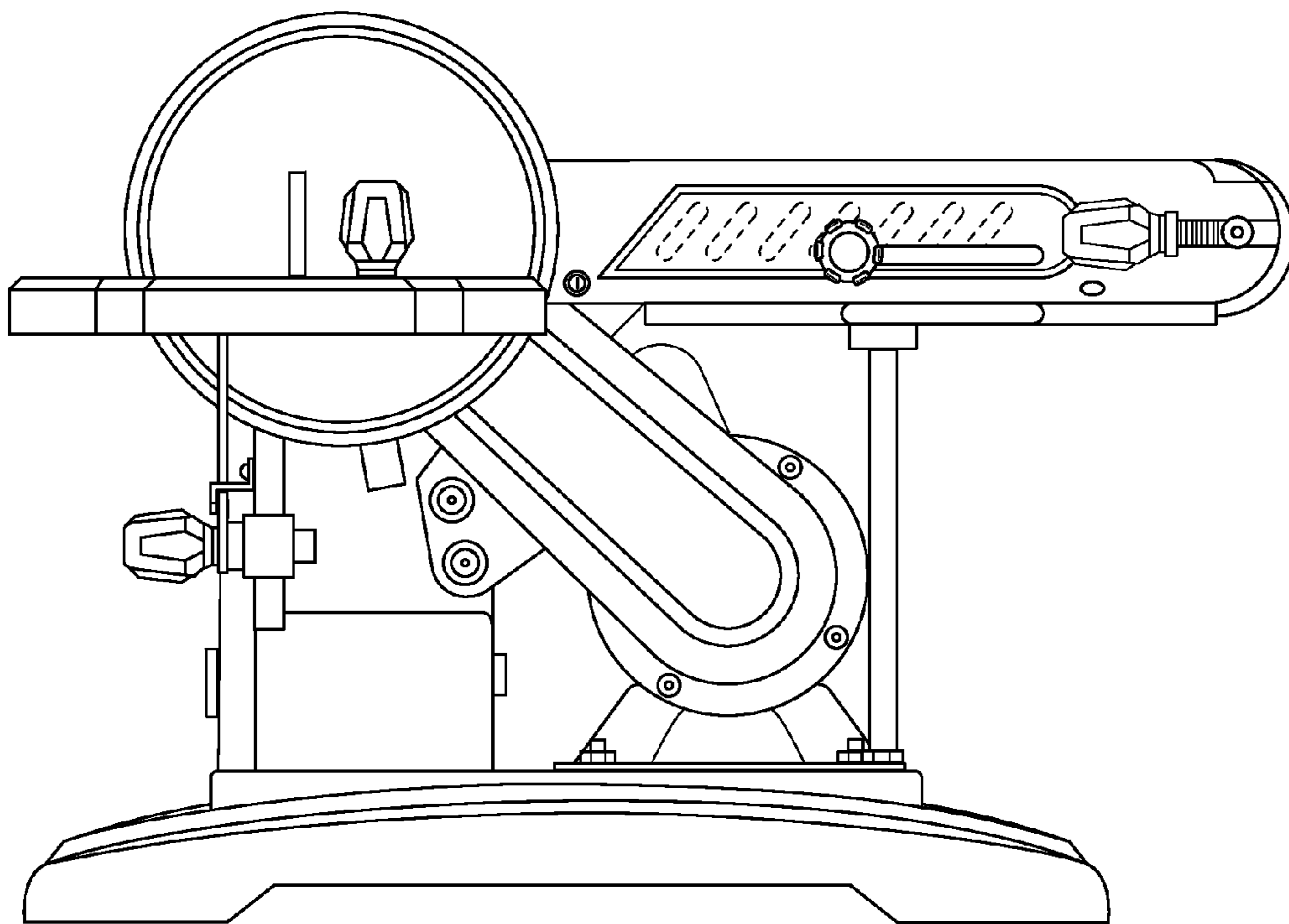


FIG. 5

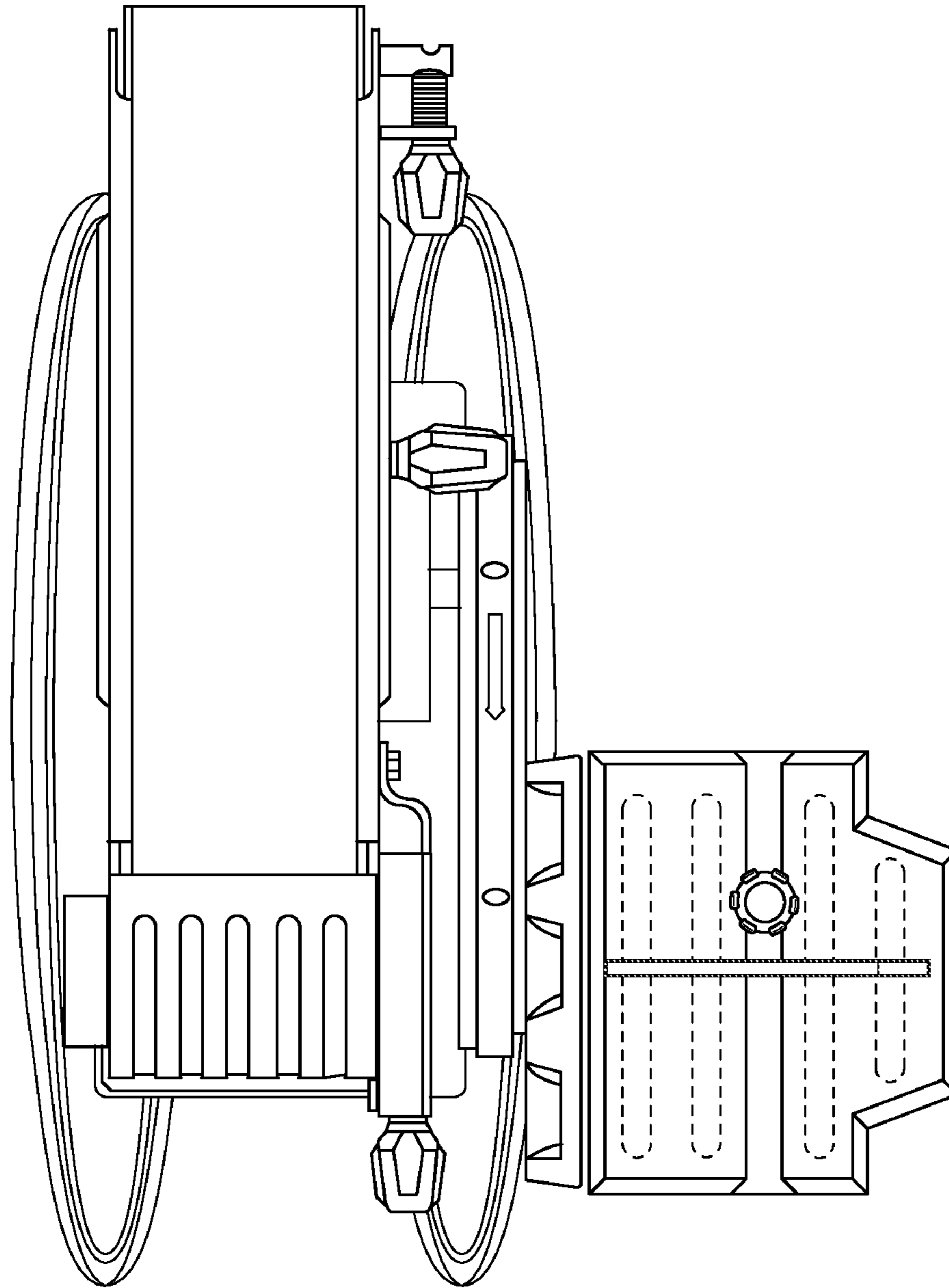


FIG. 6

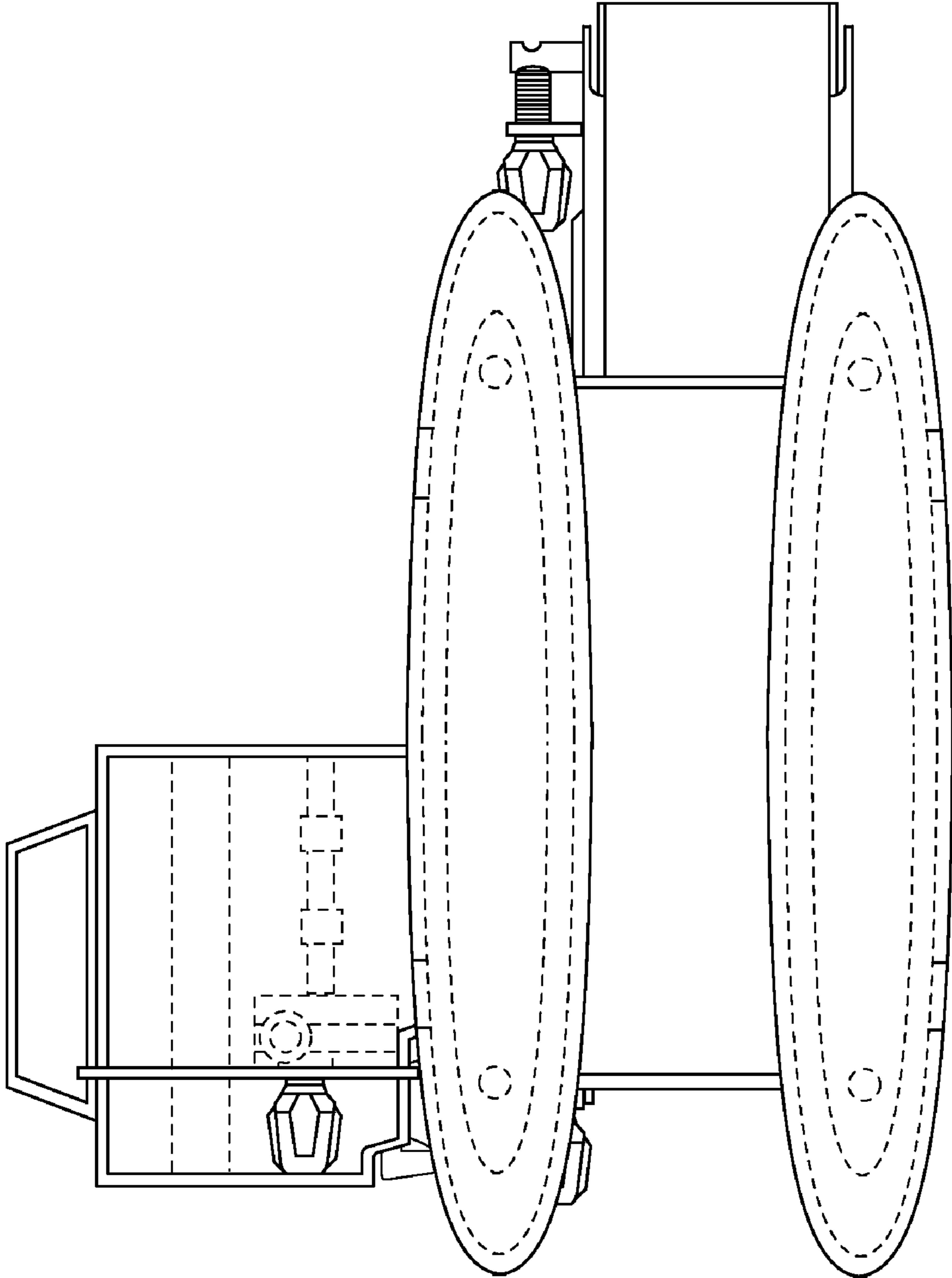


FIG. 7