



US00D625741S

(12) **United States Design Patent**  
**Seidel et al.**

(10) **Patent No.:** **US D625,741 S**

(45) **Date of Patent:** **\*\* Oct. 19, 2010**

(54) **CAB PORTION OF A WHEEL LOADER**

(75) Inventors: **Wolfgang Seidel**, Mapleton, IL (US);  
**Rafael Dela Rosa**, Dunlap, IL (US);  
**Randy Johnson**, Peoria, IL (US); **Mark Redden**, Washington, IL (US)

(73) Assignee: **Caterpillar Inc**, Peoria, IL (US)

(\*\*) Term: **14 Years**

(21) Appl. No.: **29/355,414**

(22) Filed: **Feb. 8, 2010**

(51) **LOC (9) Cl.** ..... **15-03**

(52) **U.S. Cl.** ..... **D15/30**

(58) **Field of Classification Search** ..... D15/10,  
D15/22-26, 28, 30, 31, 33; 180/89.11, 89.12,  
180/89.1, 89.13, 89.19, 900; 296/190.01,  
296/190.08, 210, 190, 202, 102

See application file for complete search history.

(56) **References Cited**

**U.S. PATENT DOCUMENTS**

D275,199 S *	8/1984	Schmidt et al.	.....	D15/30
D312,827 S *	12/1990	Boddin et al.	.....	D15/30
D317,011 S *	5/1991	Boddin et al.	.....	D15/30
D323,659 S *	2/1992	Jacobsson	.....	D15/30
D364,408 S *	11/1995	Bryant et al.	.....	D15/25
D424,580 S *	5/2000	Moehle et al.	.....	D15/23
D479,536 S *	9/2003	Dahl et al.	.....	D15/30
D497,920 S *	11/2004	Antonetti	.....	D15/30
D523,029 S *	6/2006	Crawford et al.	.....	D15/30
D523,874 S *	6/2006	Hagele	.....	D15/30
D528,134 S *	9/2006	Vandendriessche et al.	..	D15/30
D531,646 S *	11/2006	McCarren et al.	.....	D15/30
D531,647 S *	11/2006	Stender et al.	.....	D15/30

D533,569 S *	12/2006	Mursch	.....	D15/28
D534,927 S *	1/2007	Mursch	.....	D15/28
D541,825 S *	5/2007	Pettersson	.....	D15/30
D549,245 S *	8/2007	Antonetti	.....	D15/30
D561,205 S *	2/2008	Pettersson	.....	D15/30
D579,028 S *	10/2008	VanDeVeer et al.	.....	D15/30
D603,881 S *	11/2009	Tamplain et al.	.....	D15/30
D605,207 S *	12/2009	Menges et al.	.....	D15/30

**OTHER PUBLICATIONS**

CAT, 980H Wheel Loader, catalog, pp. 1-28, 2008, U.S.A.

\* cited by examiner

*Primary Examiner*—Mark A Goodwin

(74) *Attorney, Agent, or Firm*—Jeff Ruppel

(57) **CLAIM**

The ornamental design for a cab portion of a wheel loader, as shown and described.

**DESCRIPTION**

FIG. 1 is a left side view of a cab portion of a wheel loader showing our new design;

FIG. 2 is a right side view thereof;

FIG. 3 is a top plan view thereof;

FIG. 4 is a front view thereof;

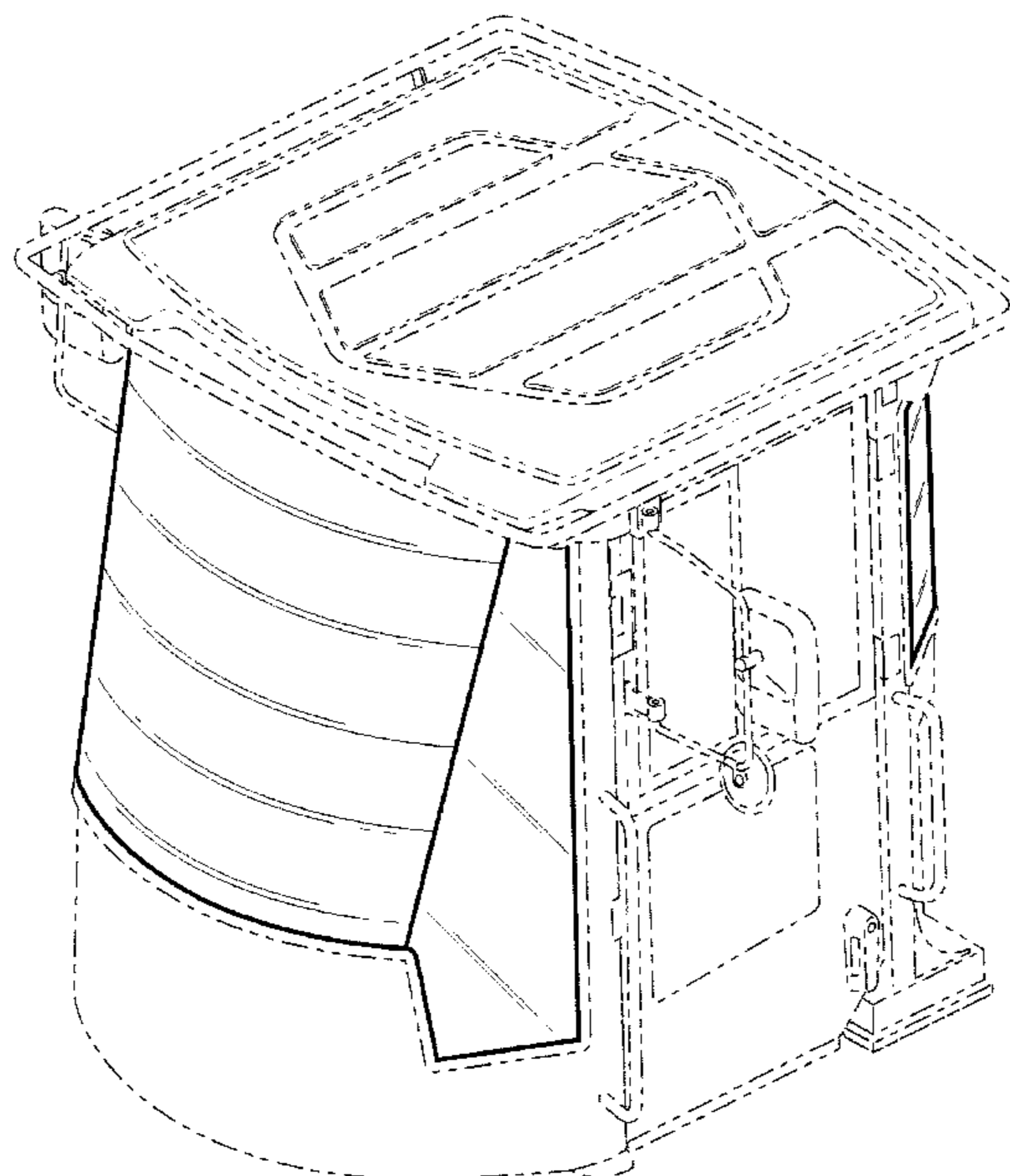
FIG. 5 is a rear view thereof;

FIG. 6 is a left front perspective view thereof; and,

FIG. 7 is a right front perspective view thereof.

The broken lines of the figures showing additional portions of the cab are included for the purpose of illustrating environmental structure and form no part of the claimed design.

**1 Claim, 7 Drawing Sheets**



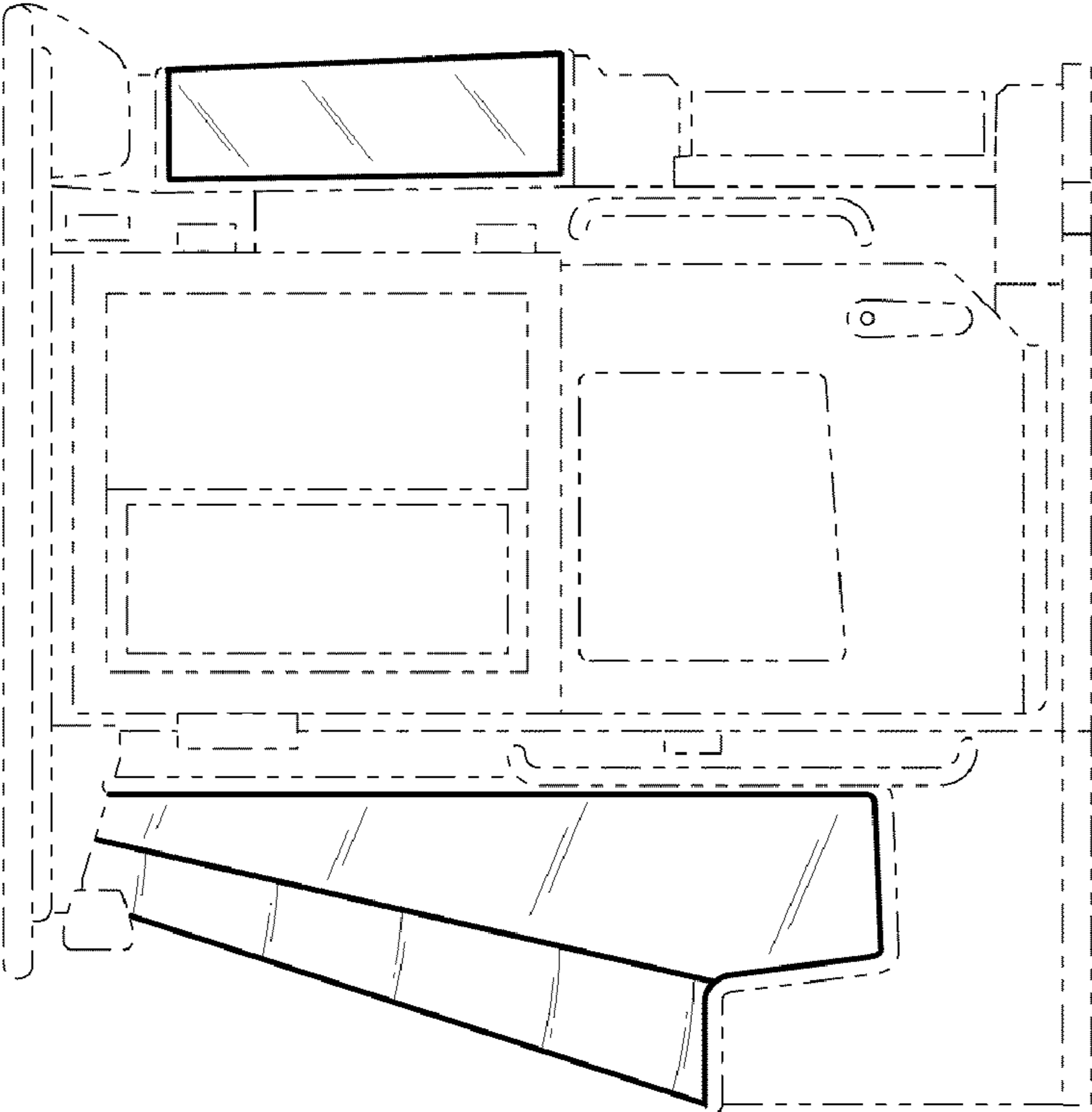


FIG. 1

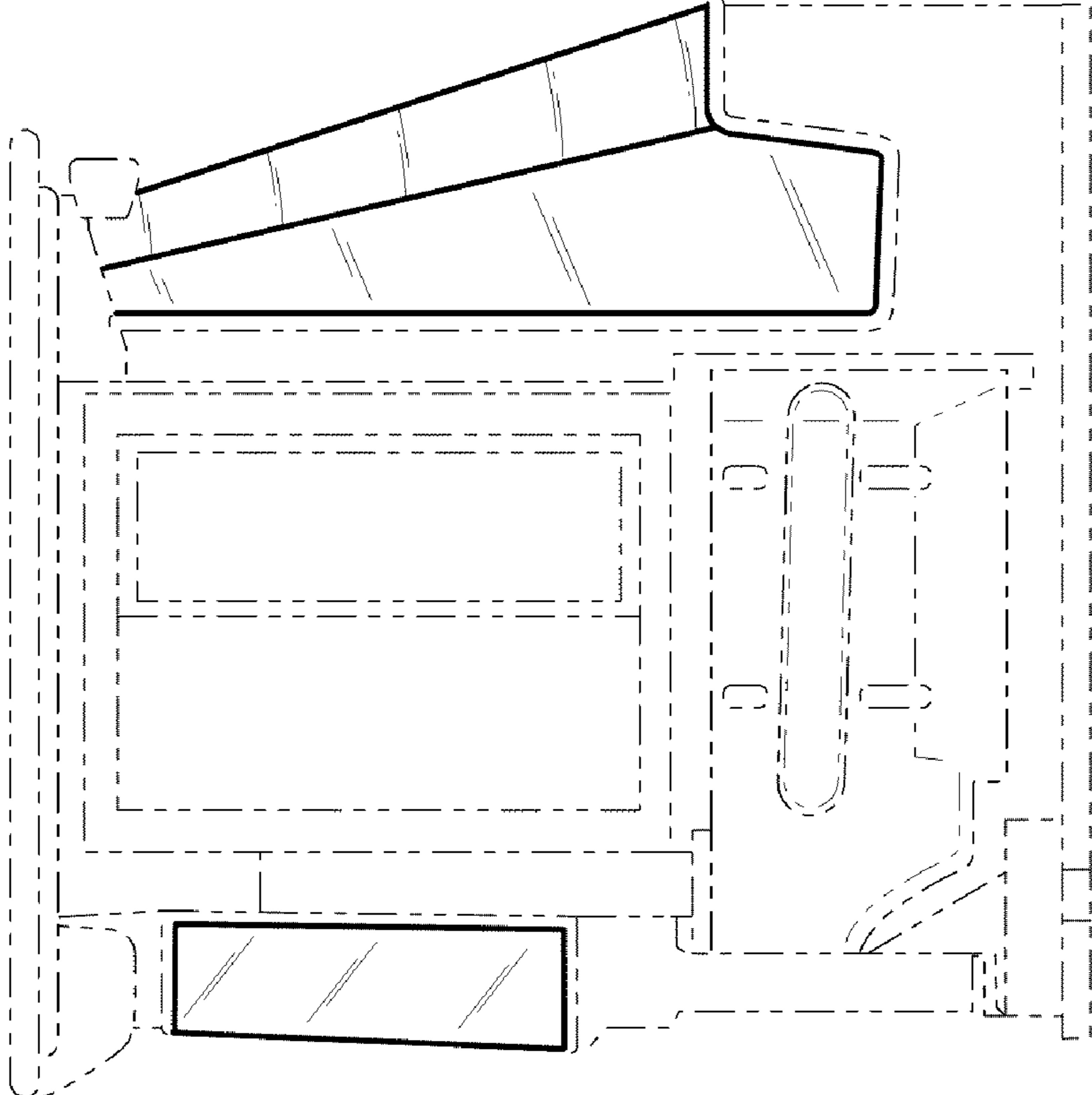
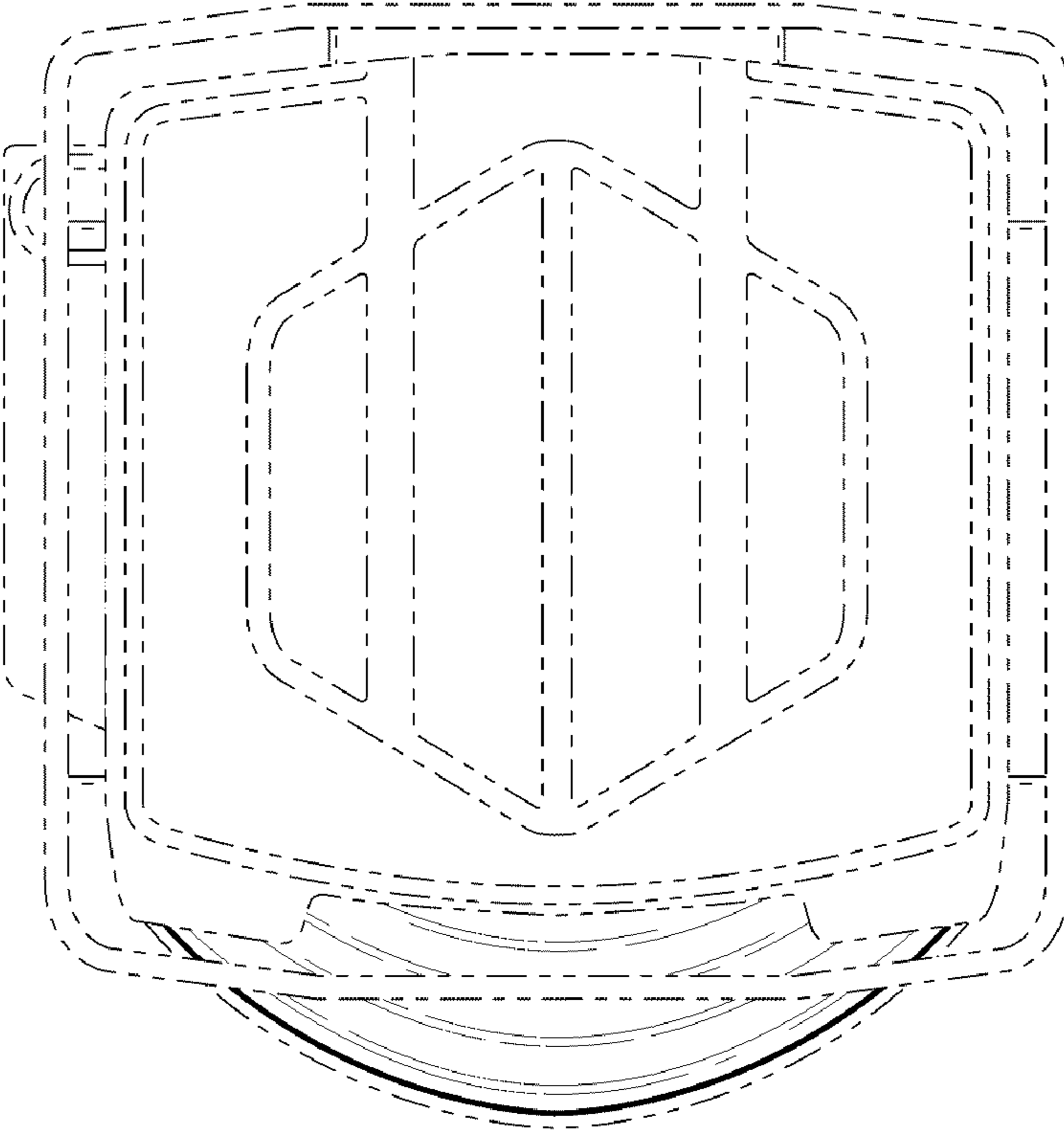
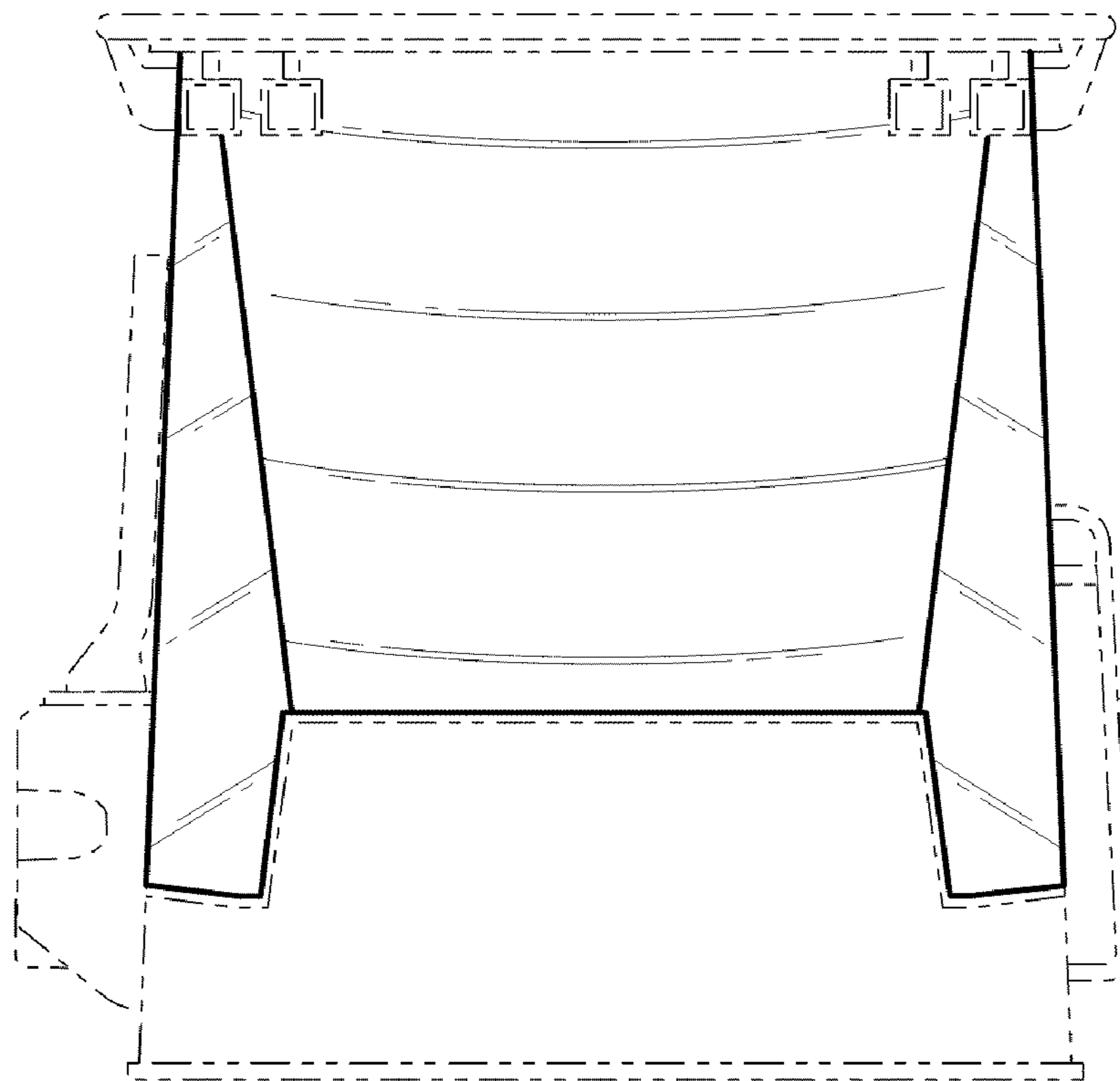


FIG. 2

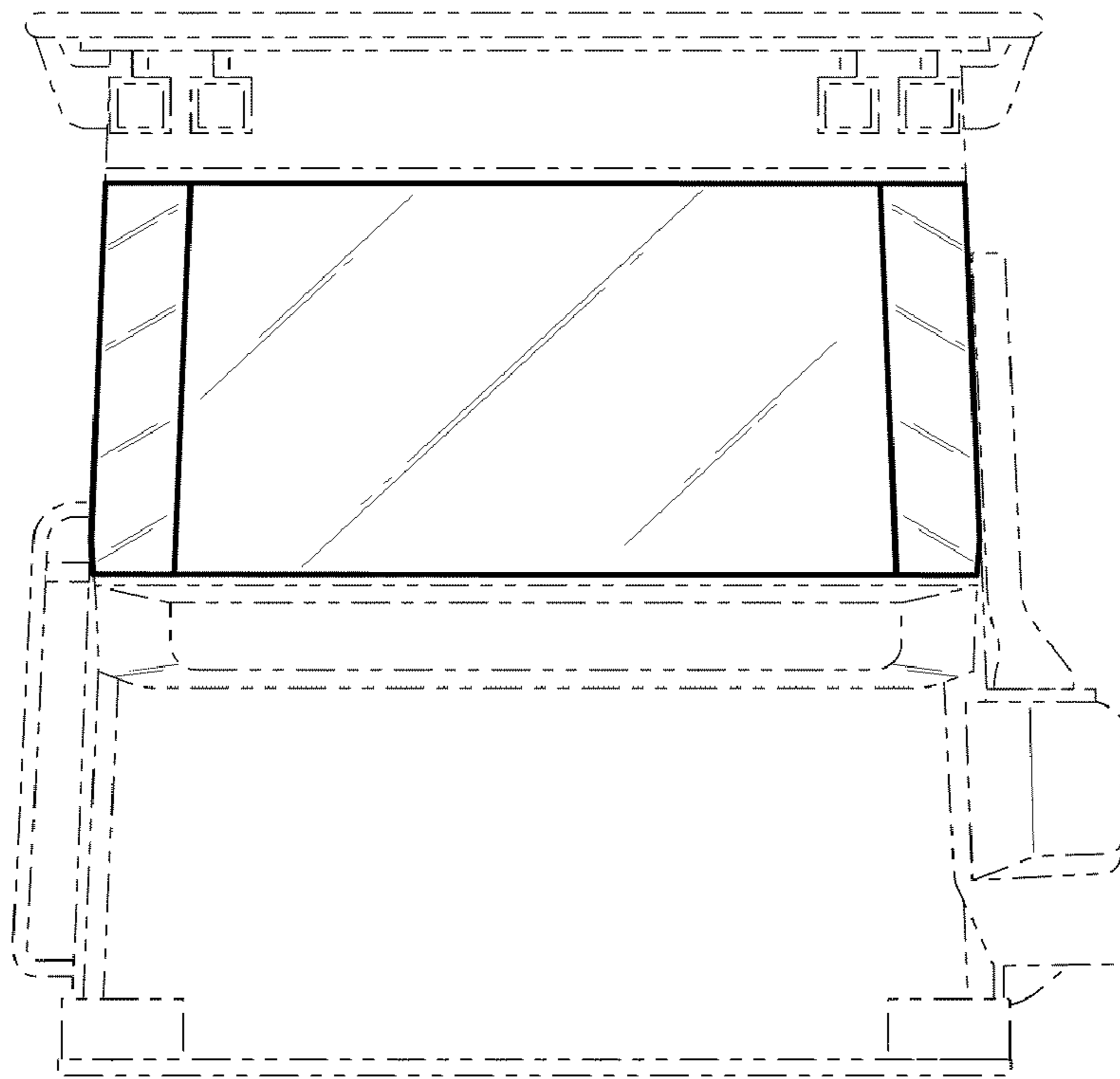


**FIG. 3**

**FIG. 4**



**FIG. 5**



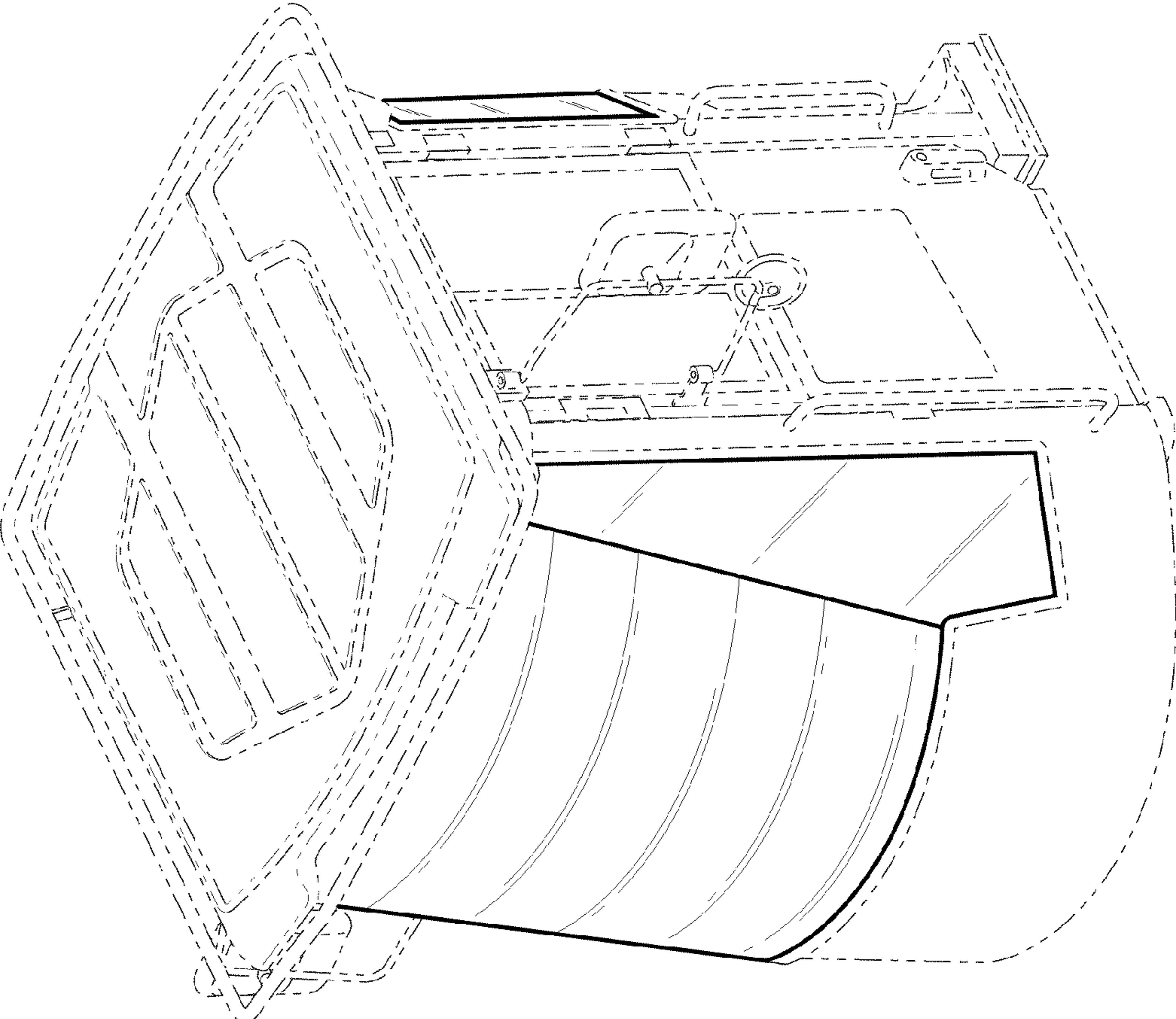


FIG. 6

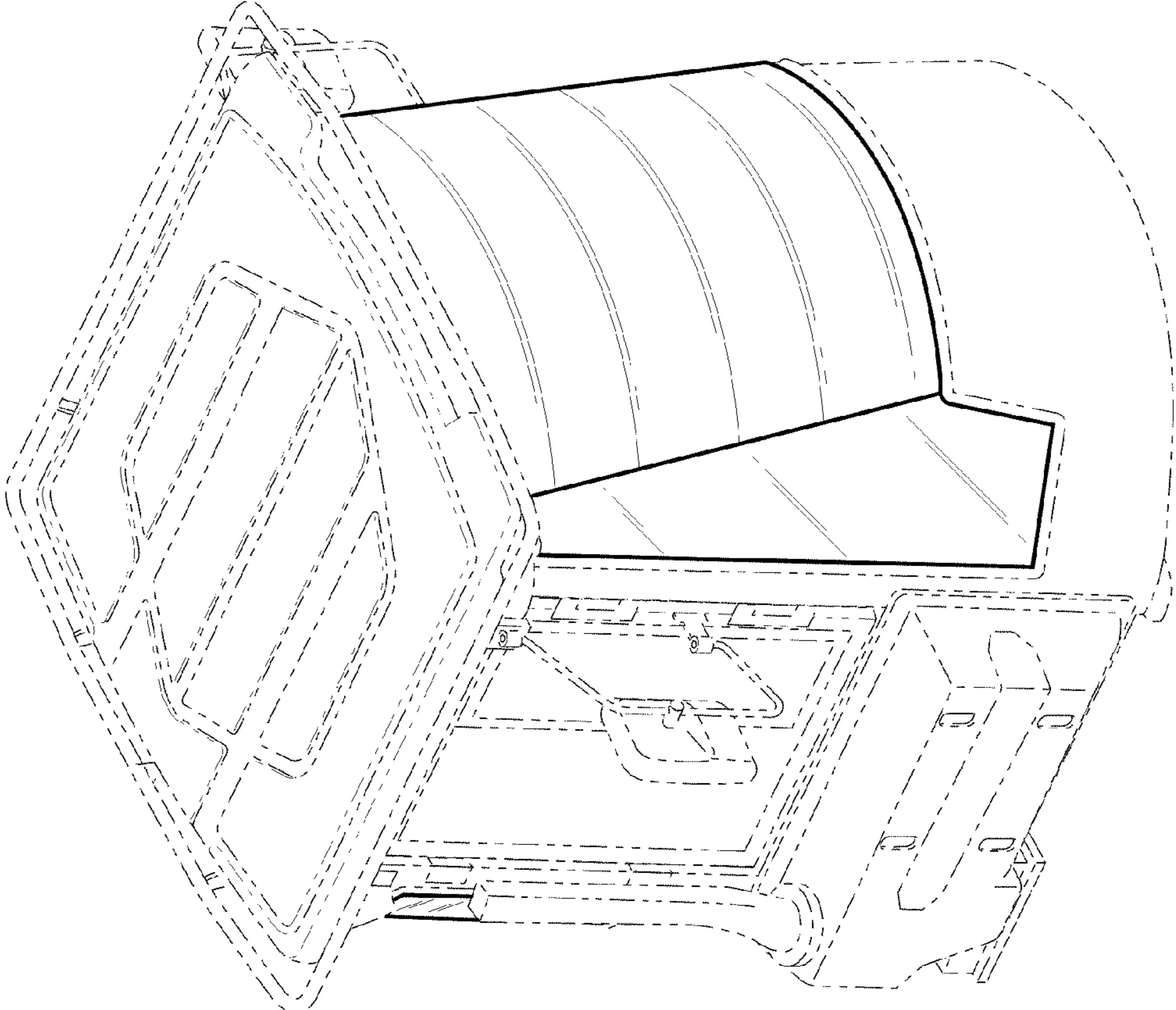


FIG. 7