



US00D625740S

(12) **United States Design Patent**
Varini

(10) **Patent No.:** **US D625,740 S**
(45) **Date of Patent:** **** Oct. 19, 2010**

(54) **PUMP FOR LIQUIDS**

D559,865 S * 1/2008 Wise D15/7
D601,590 S * 10/2009 Burnham D15/7
D605,205 S * 12/2009 Guoli et al. D15/7

(75) Inventor: **Otto Varini**, Suzzara (IT)

* cited by examiner

(73) Assignee: **PIUSI S.p.A.**, Suzzara (IT)

Primary Examiner—Ralf Seifert

(**) Term: **14 Years**

(74) *Attorney, Agent, or Firm*—Modiano & Associati; Albert Josif; Daniel J. O’Byrne

(21) Appl. No.: **29/347,471**

(22) Filed: **Feb. 1, 2010**

(57) **CLAIM**

(30) **Foreign Application Priority Data**

The ornamental design for the “pump for liquids”, as shown and described.

Sep. 16, 2009 (EM) 001165104

DESCRIPTION

(51) **LOC (9) Cl.** **15-02**

FIG. 1 is a perspective view of the container;

(52) **U.S. Cl.** **D15/7**

FIG. 2 is a front elevation view thereof;

(58) **Field of Classification Search** D15/7-9;

FIG. 3 is a rear elevation view thereof;

D23/231, 232, 225; 417/410.1, 359, 415-416,

FIG. 4 is a left side elevation view thereof;

417/234, 321, 265, 405, 540; D6/606; 53/524

FIG. 5 is a right side elevation view thereof;

See application file for complete search history.

FIG. 6 is a plan view thereof, taken from above; and,

(56) **References Cited**

FIG. 7 is a plan view thereof, taken from below.

U.S. PATENT DOCUMENTS

The design relates to a container for a pump assembly that presents a parallelepipedic shape with main faces having rounded corners and convex sides and with an oval pattern on the main face.

D403,331 S * 12/1998 Williams D15/9

D436,602 S * 1/2001 Wang D15/9

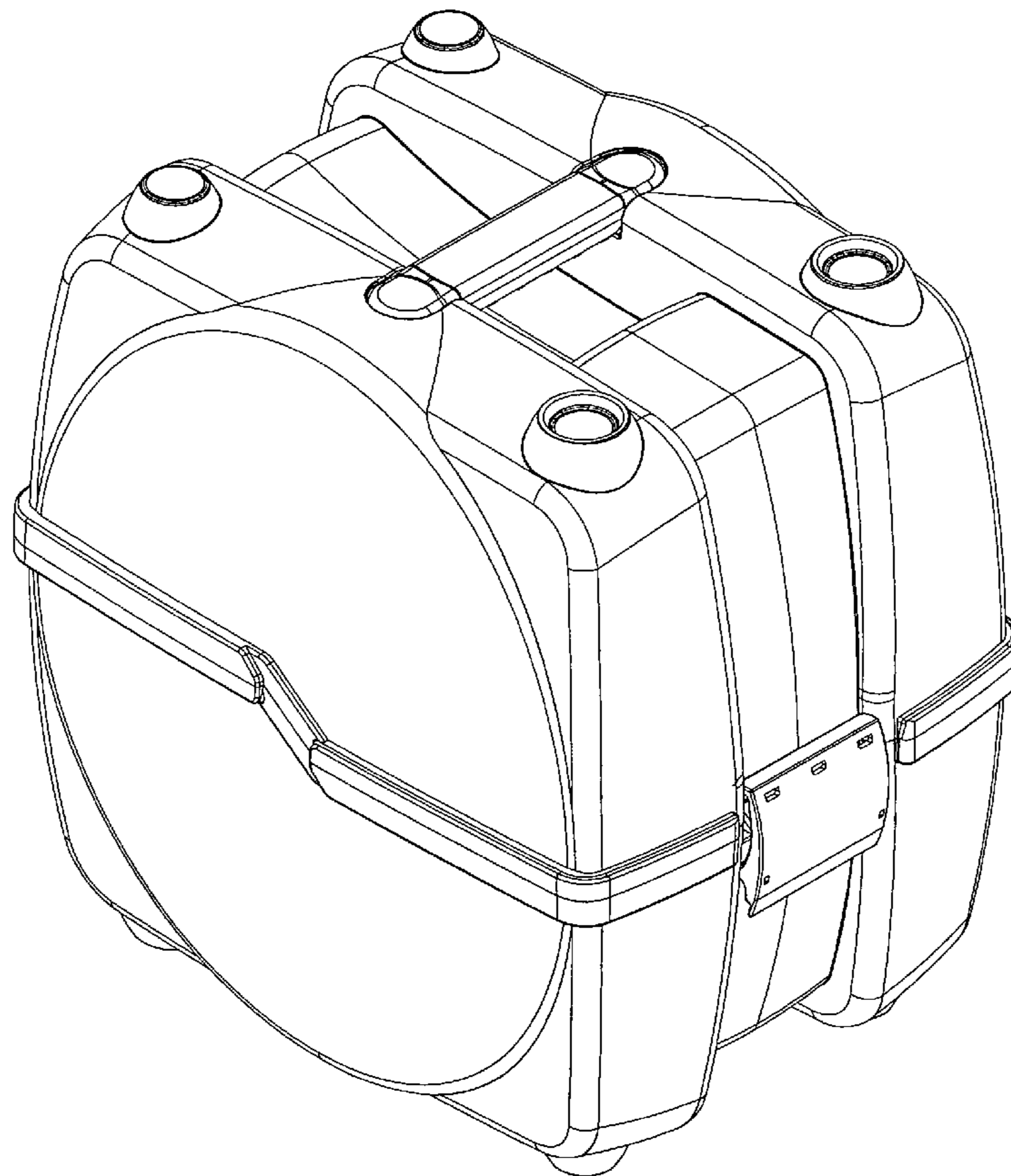
D507,799 S * 7/2005 Chen D15/7

D533,880 S * 12/2006 Chen D15/7

D534,924 S * 1/2007 Aglassinger D15/9

D538,825 S * 3/2007 Chen Han D15/9

1 Claim, 7 Drawing Sheets



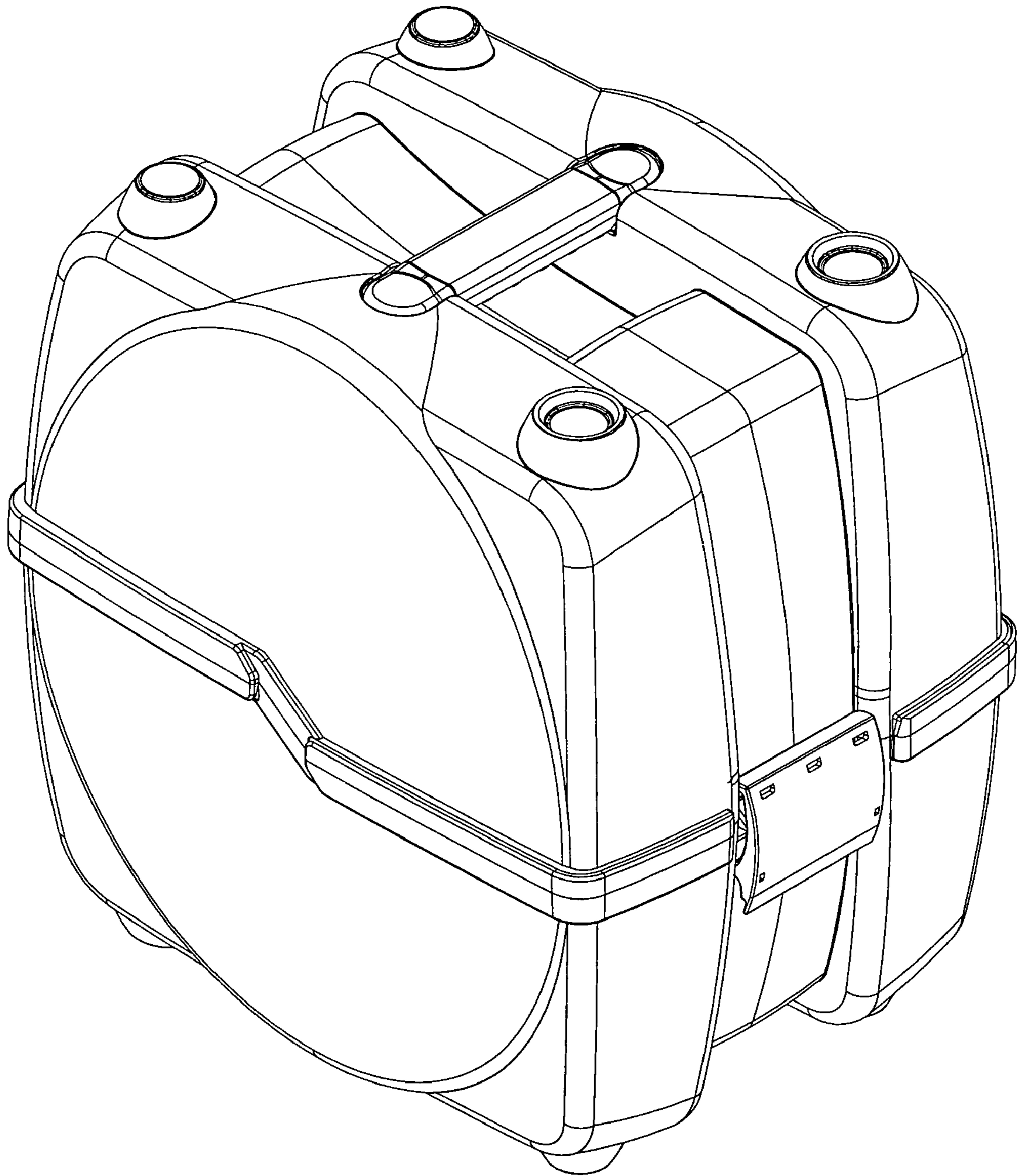


Fig. 1

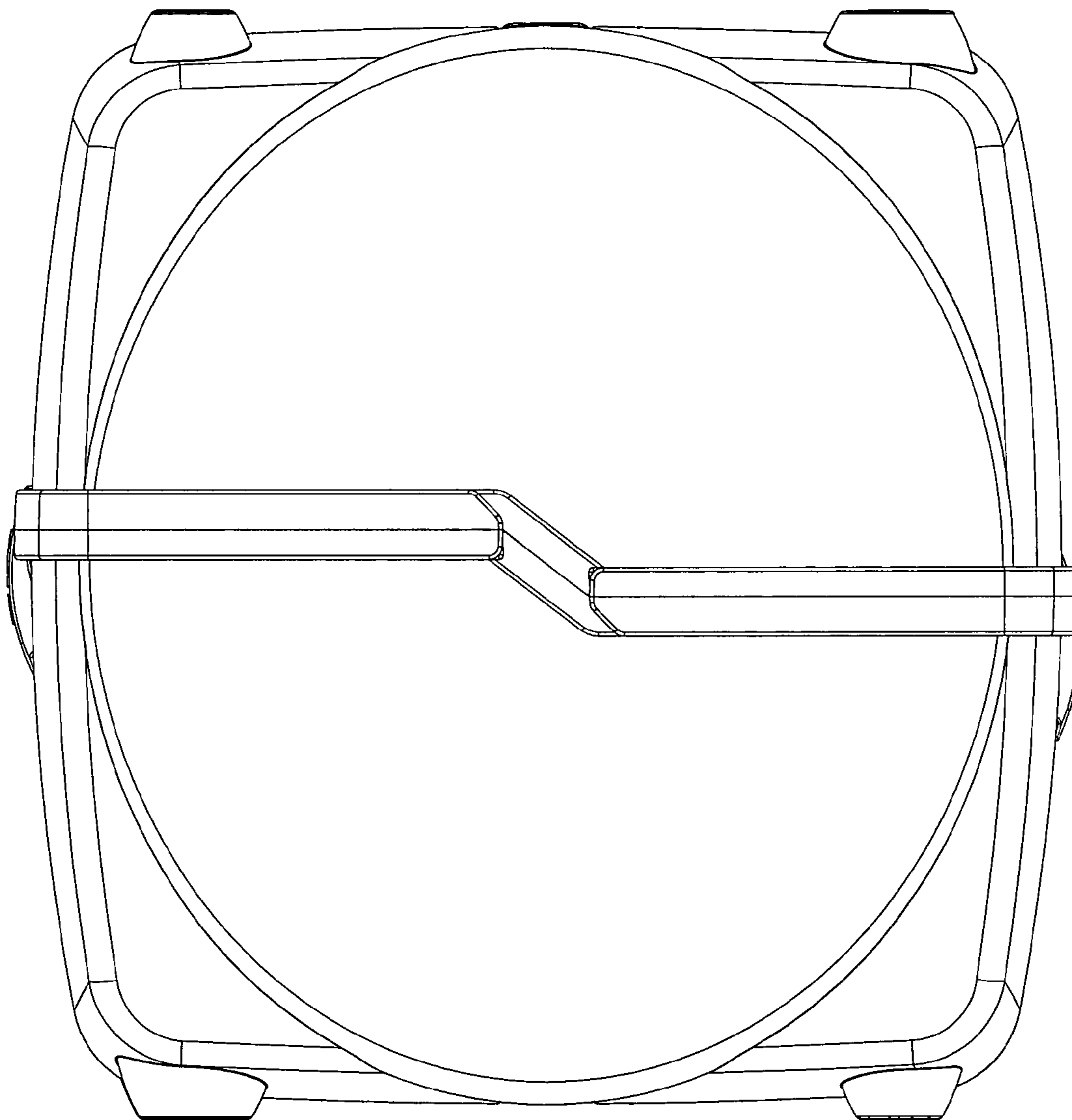


Fig. 2

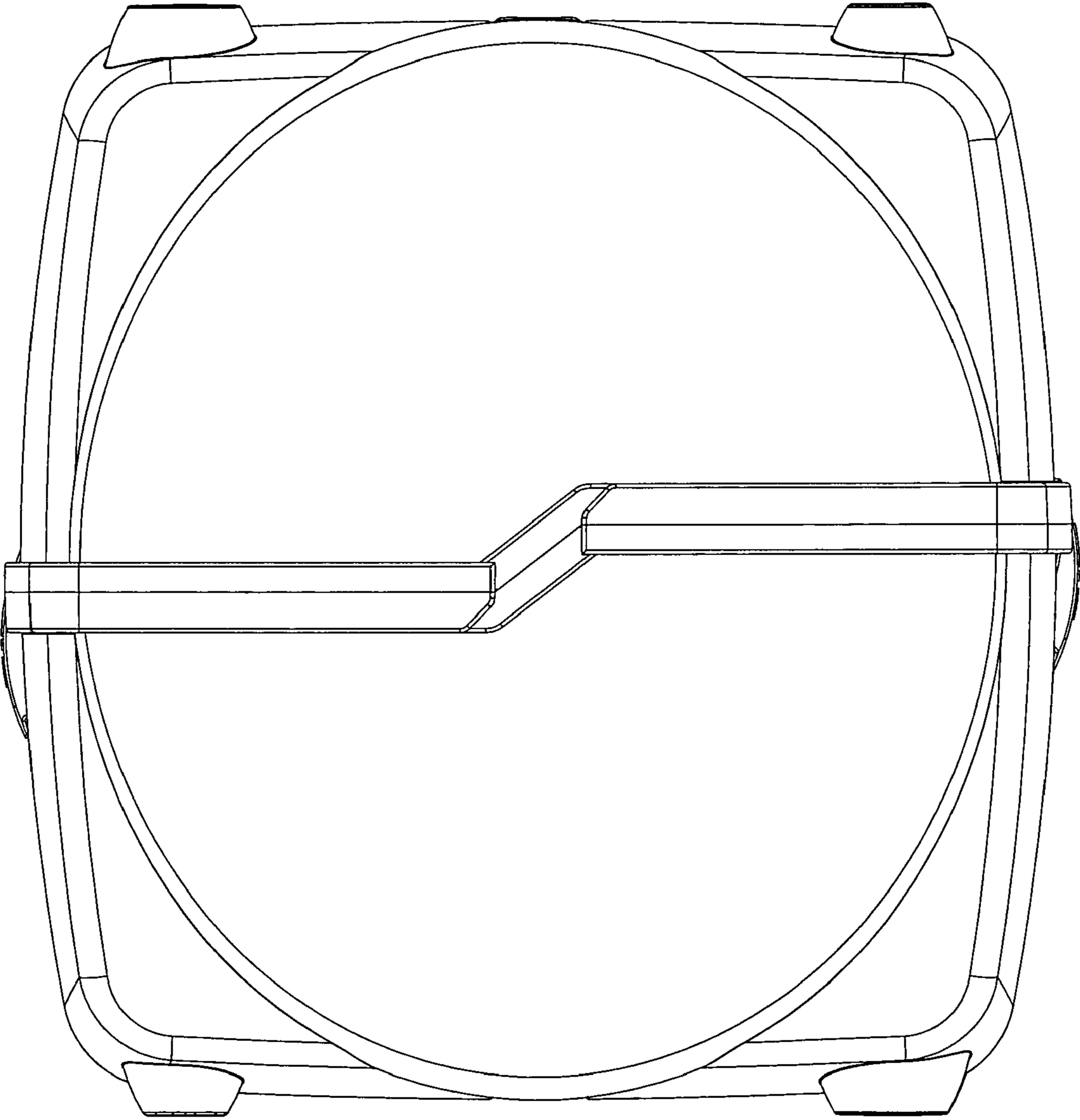


Fig. 3

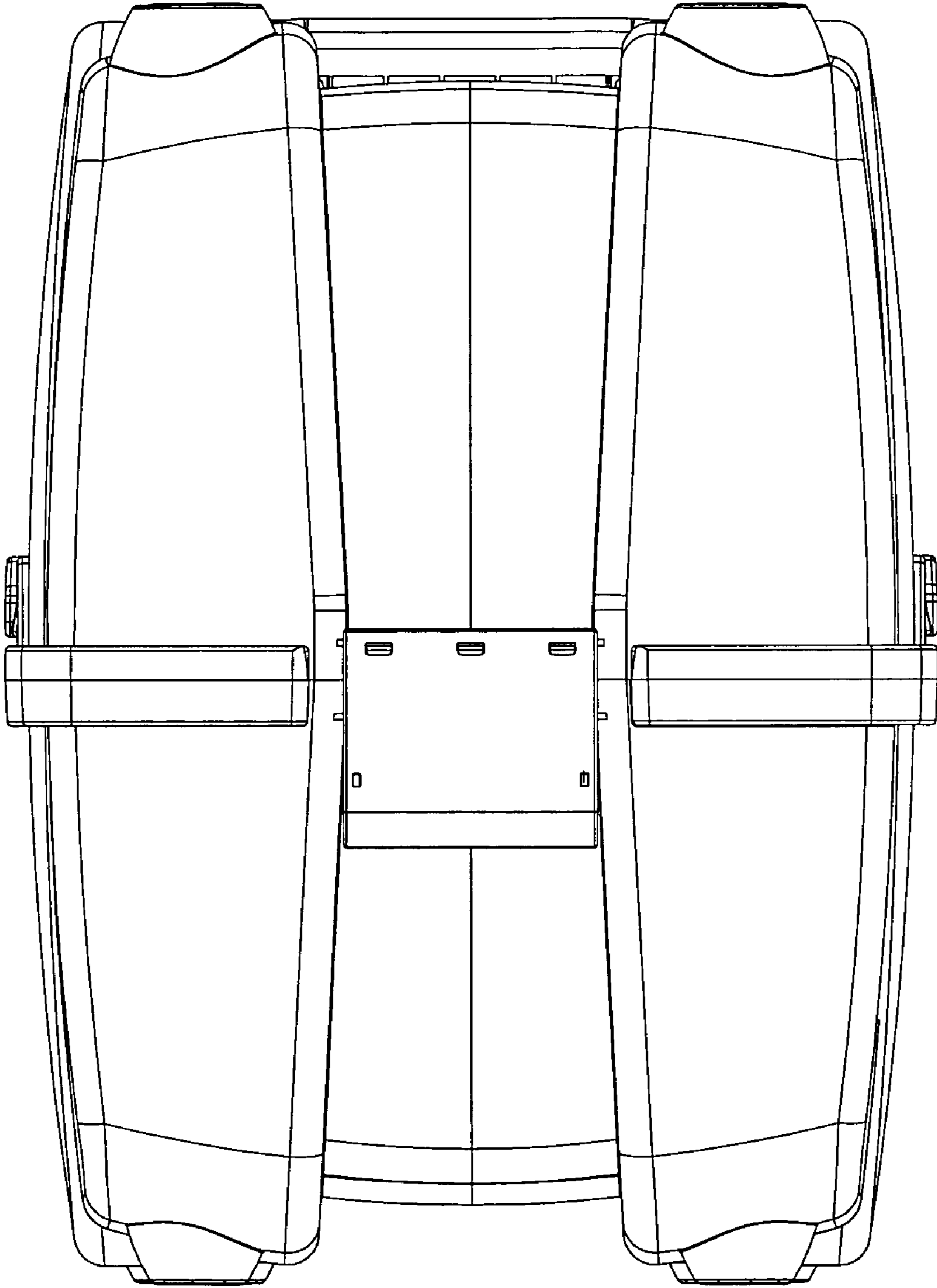


Fig. 4

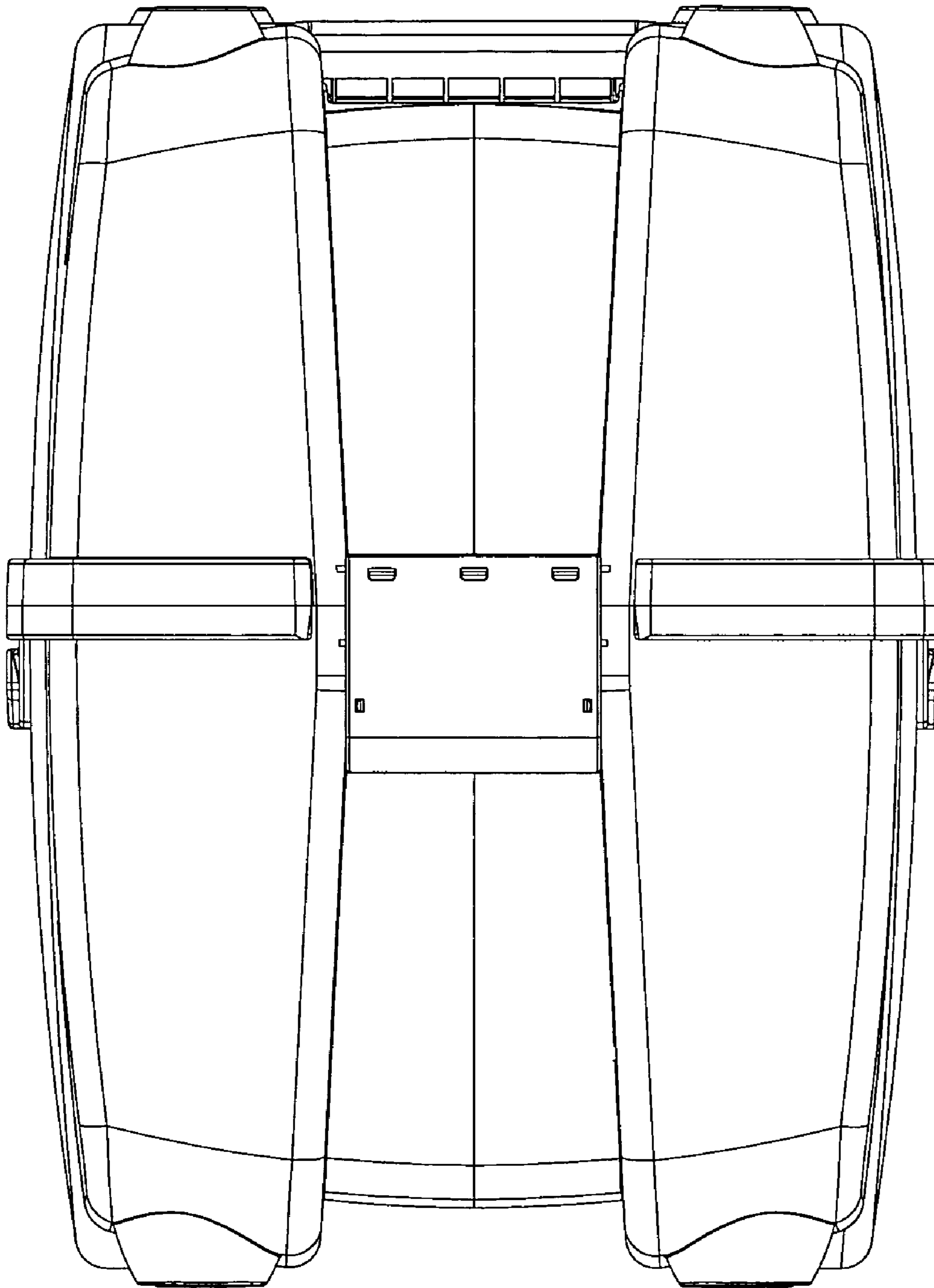


Fig. 5

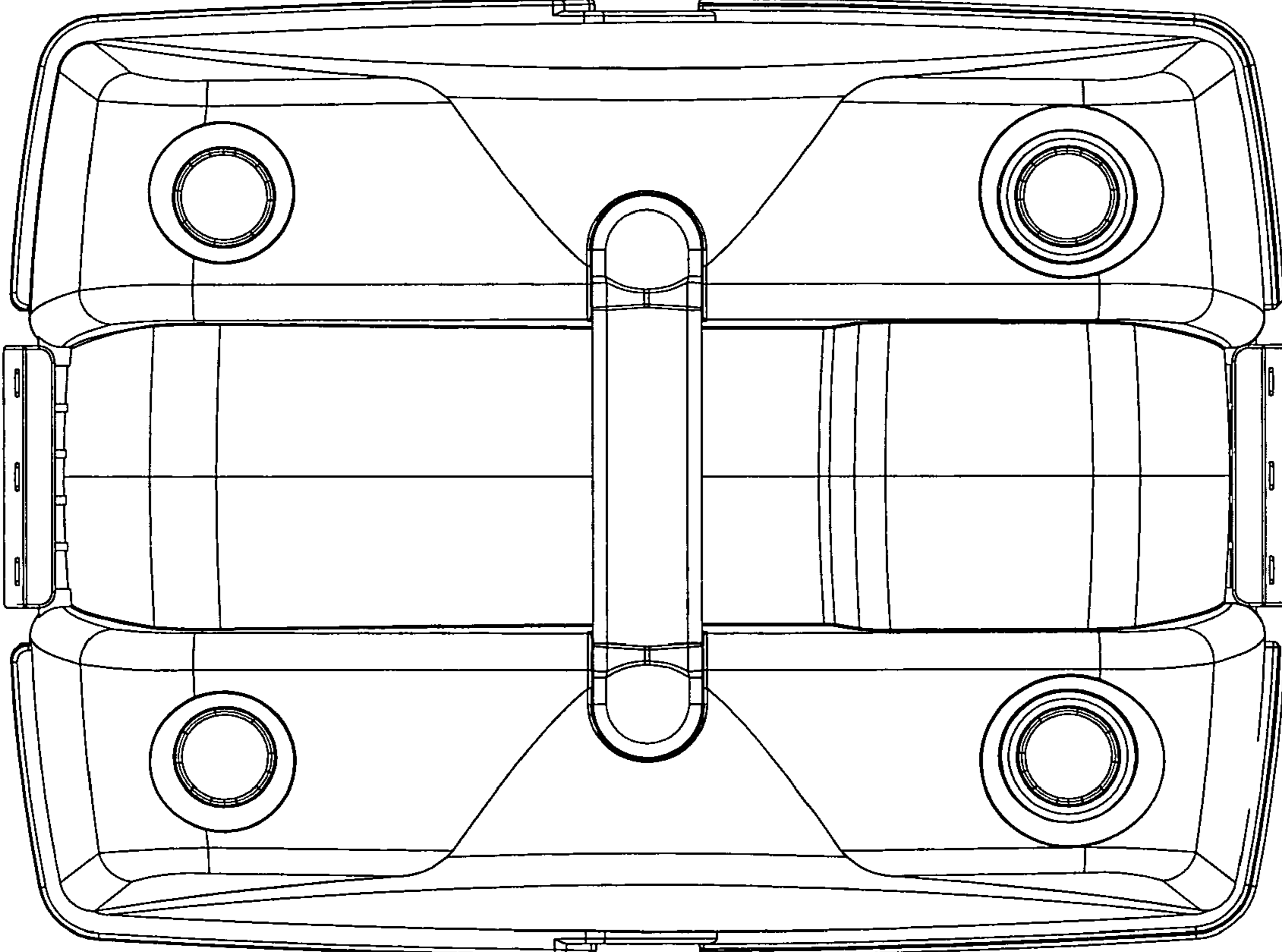


Fig. 6

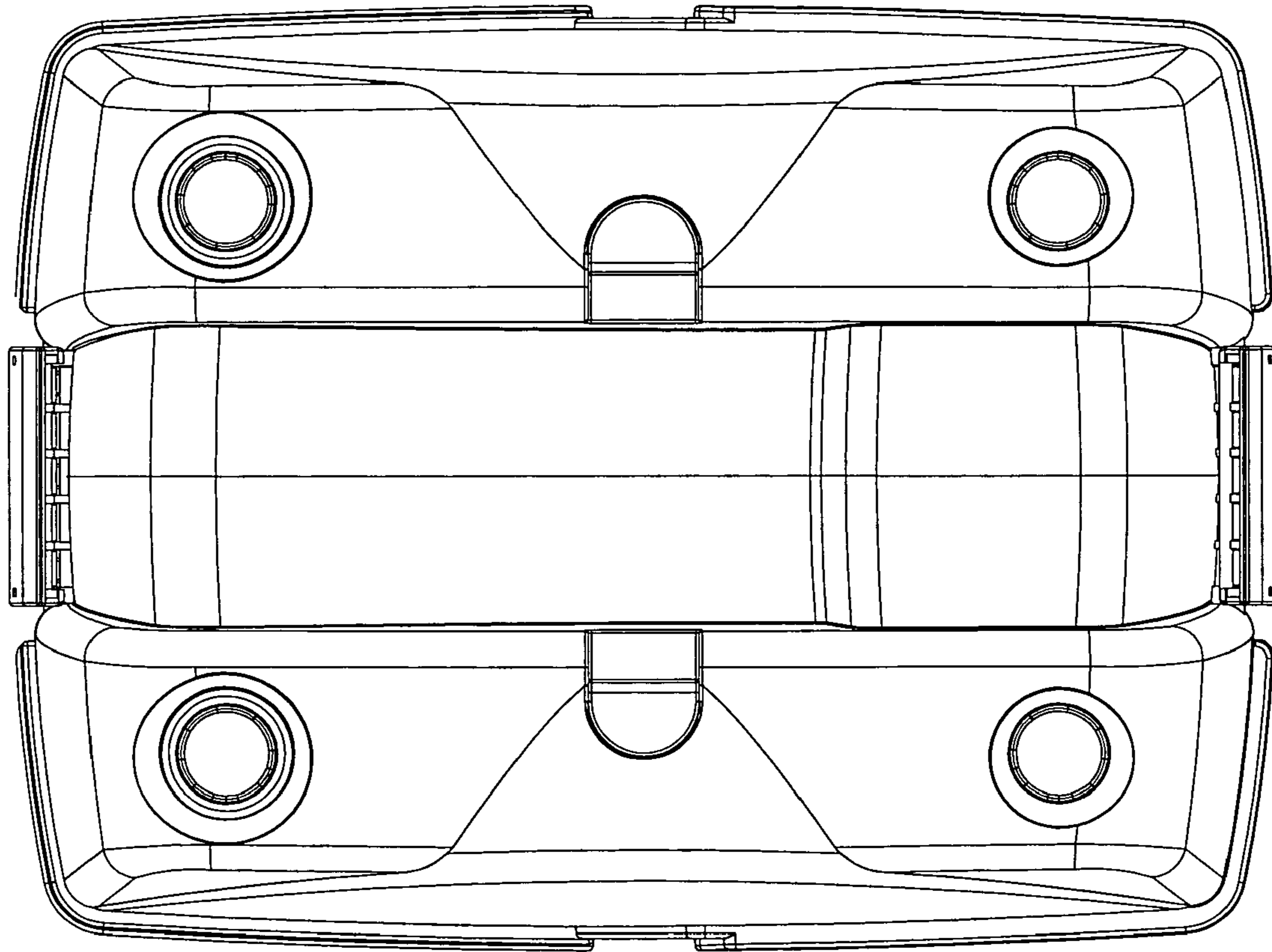


Fig. 7