



US00D625739S

(12) **United States Design Patent**  
**Wakana**

(10) **Patent No.:** **US D625,739 S**

(45) **Date of Patent:** **\*\* Oct. 19, 2010**

(54) **CARBURETOR FOR INTERNAL COMBUSTION ENGINES**

TW 110848 S 5/2006  
OTHER PUBLICATIONS

(75) Inventor: **Yoshikazu Wakana**, Kawasaki (JP)

Taiwanese Office Action dated Dec. 9, 2009, issued in corresponding Taiwanese Patent Application No. 098301454.

(73) Assignee: **Keihin Corporation**, Tokyo (JP)

\* cited by examiner

(\*\*) Term: **14 Years**

*Primary Examiner*—T. Chase Nelson  
*Assistant Examiner*—Ania K Dworzecka

(21) Appl. No.: **29/334,974**

(74) *Attorney, Agent, or Firm*—Westerman, Hattori, Daniels & Adrian, LLP

(22) Filed: **Apr. 6, 2009**

(57) **CLAIM**

(30) **Foreign Application Priority Data**

Oct. 7, 2008 (JP) ..... 2008-025778

The ornamental design for a carburetor for internal combustion engines, as shown and described.

(51) **LOC (9) Cl.** ..... **15-01**

**DESCRIPTION**

(52) **U.S. Cl.** ..... **D15/6**

(58) **Field of Classification Search** ..... D15/1-6,  
D15/51; 123/474, 478; 261/18.3, 23.2  
See application file for complete search history.

FIG. 1 is a front, elevation view of the carburetor for internal combustion engines showing my new design;

FIG. 2 is a rear, elevation view thereof;

FIG. 3 is a top, plan view thereof;

FIG. 4 is a bottom, plan view thereof;

FIG. 5 is right-side, elevation view thereof;

FIG. 6 is left-side, elevation view thereof;

FIG. 7 is an upper side, right-front perspective view thereof;

FIG. 8 is a lower side, left-front perspective view thereof;

FIG. 9 is an upper side, right-rear perspective view thereof;  
and,

FIG. 10 is a lower side, left-rear perspective view thereof.

(56) **References Cited**

U.S. PATENT DOCUMENTS

D447,147 S \* 8/2001 Grant ..... D15/6

D508,496 S \* 8/2005 Grant ..... D15/6

529,046 A1 9/2006 Maeda et al.

FOREIGN PATENT DOCUMENTS

JP 1284659 S 10/2006

JP 1299349 S 5/2007

**1 Claim, 5 Drawing Sheets**

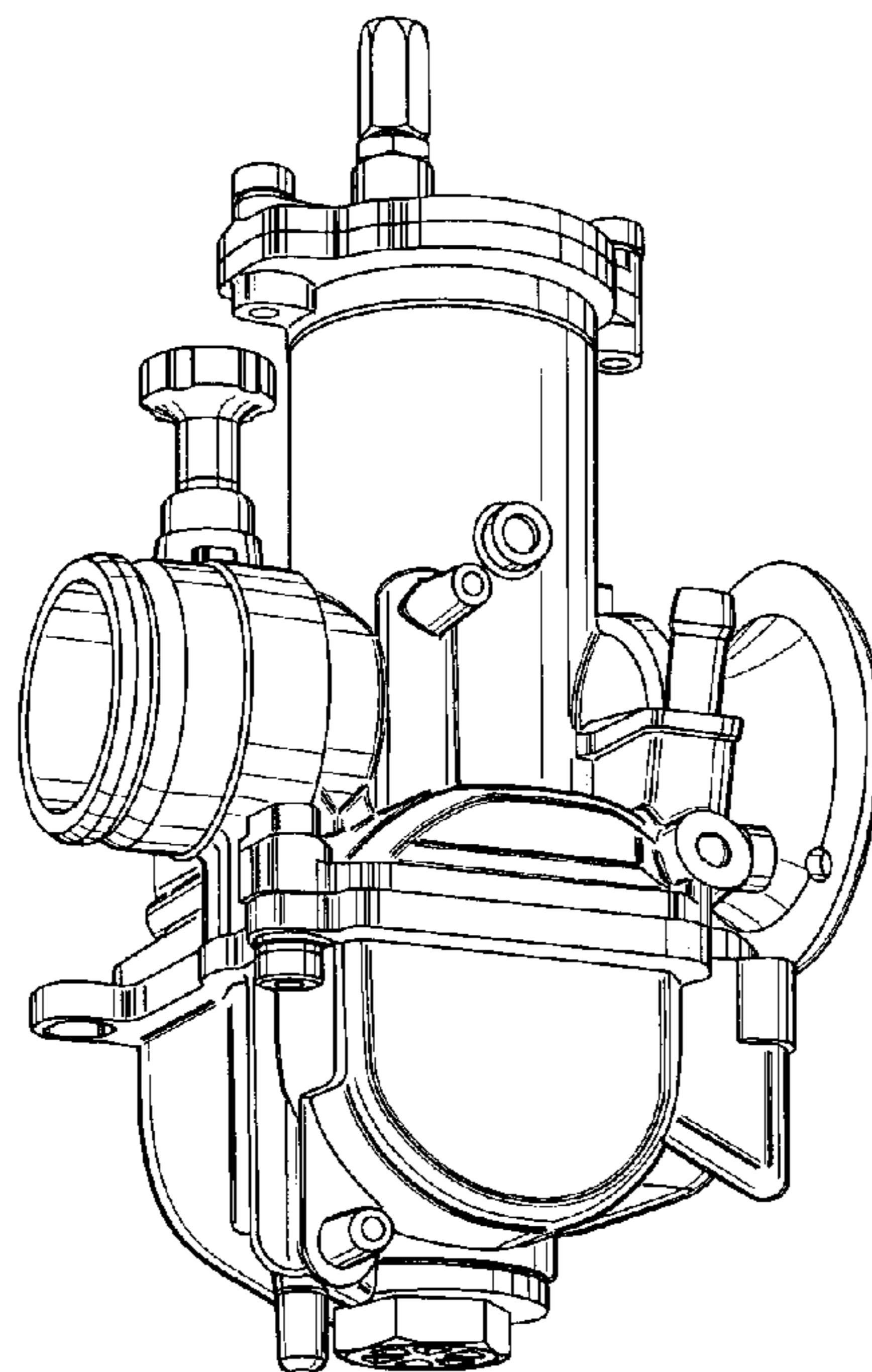


FIG.1

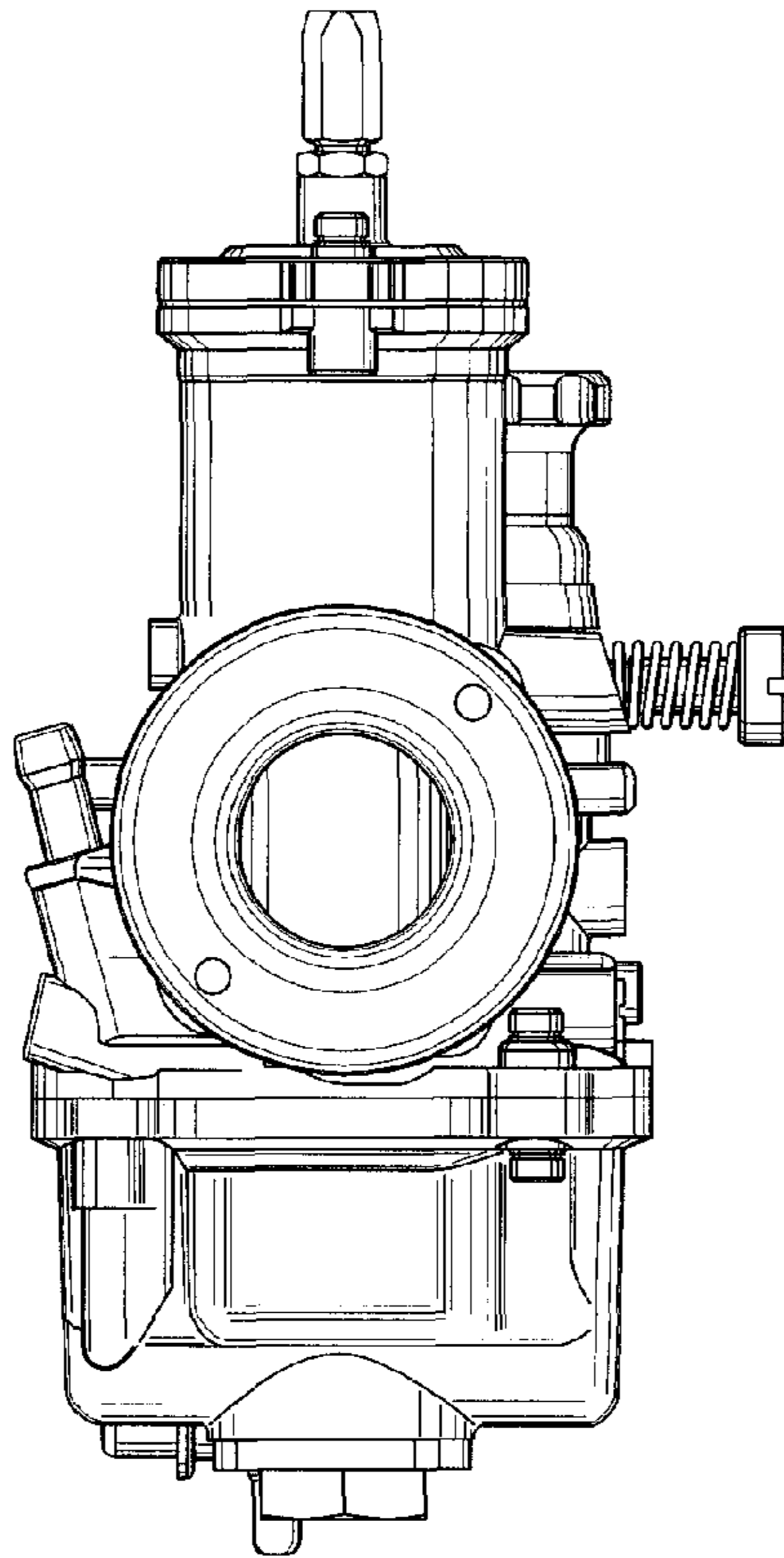


FIG.2

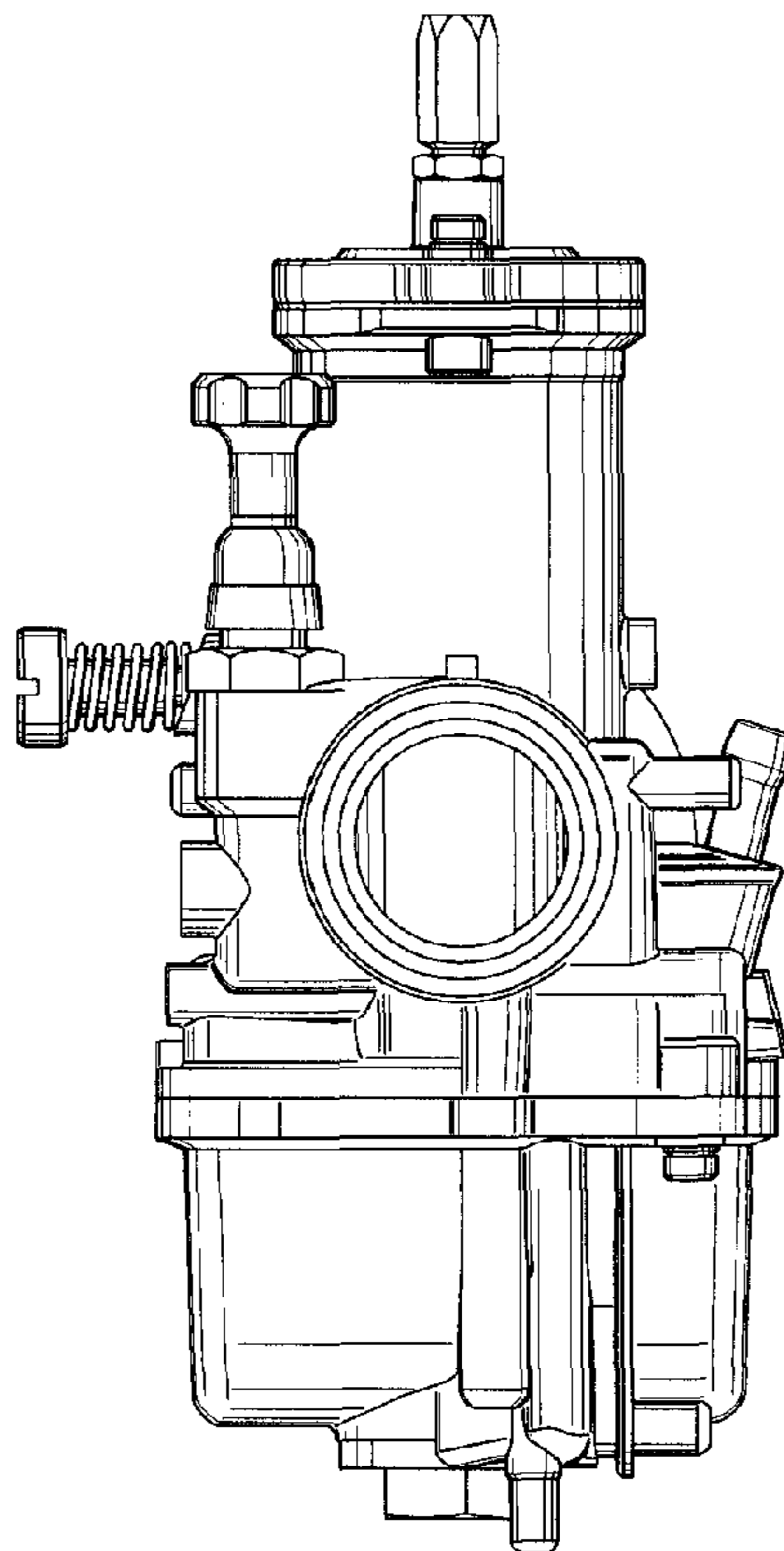


FIG.3

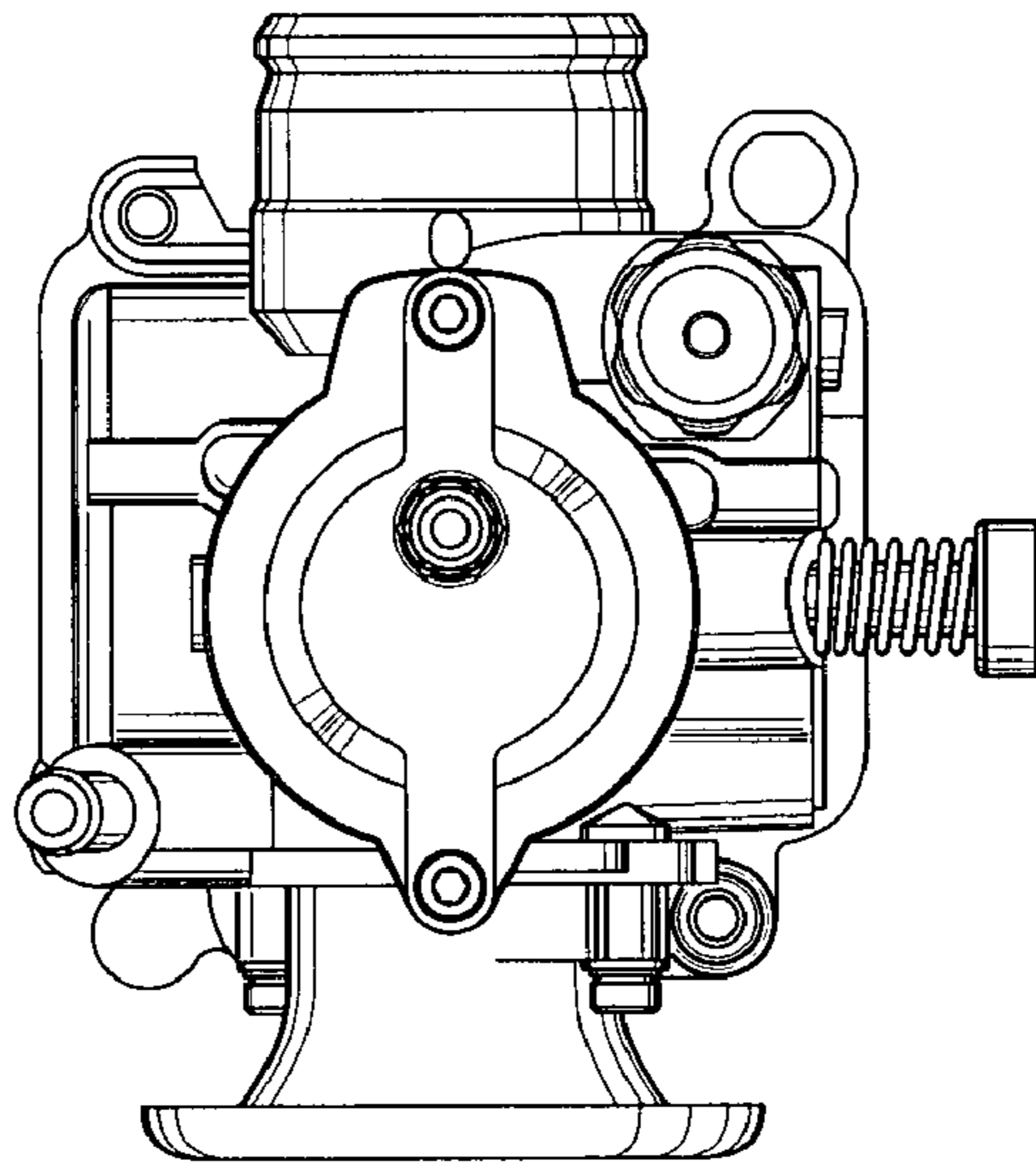


FIG.4

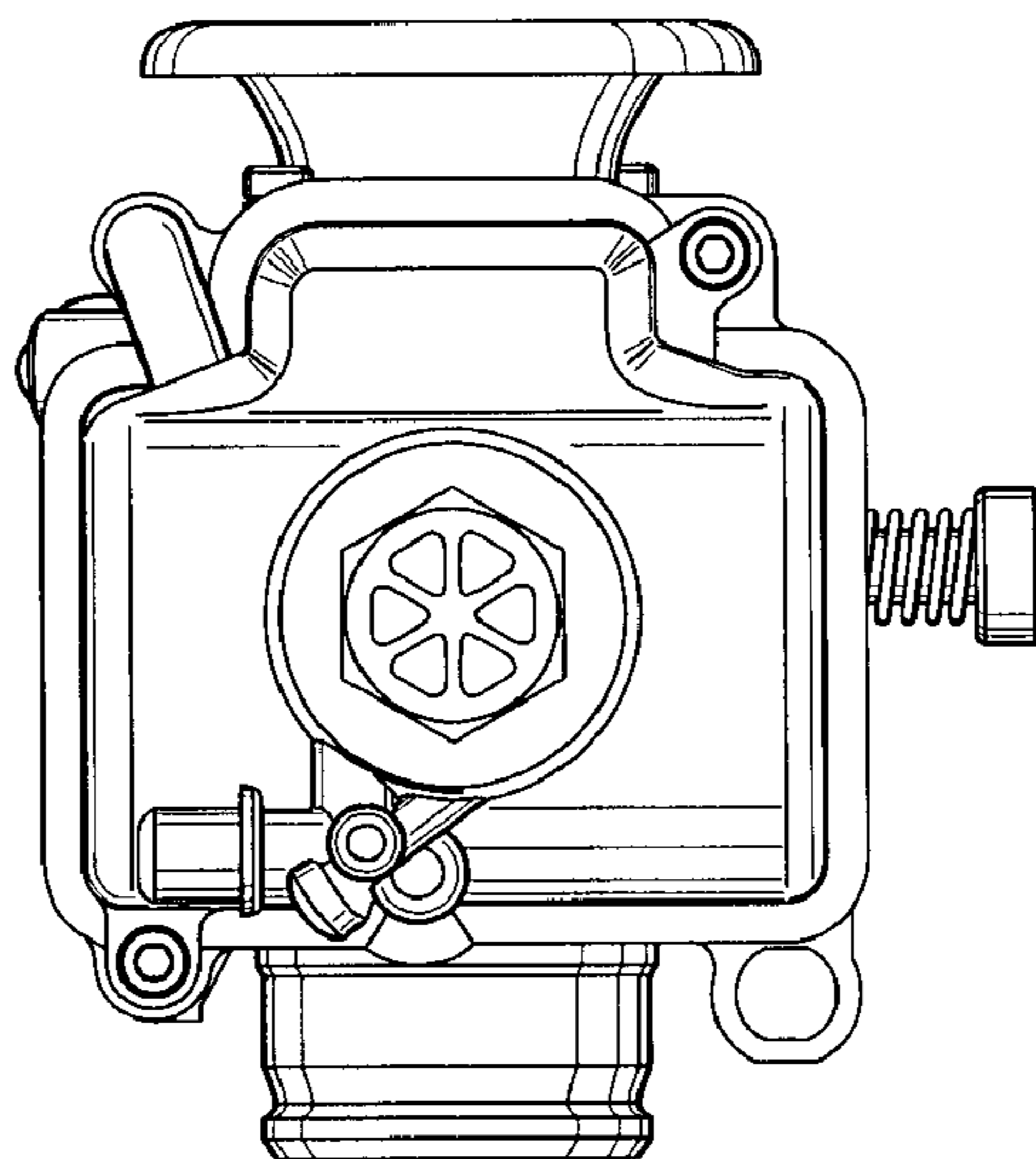


FIG.5

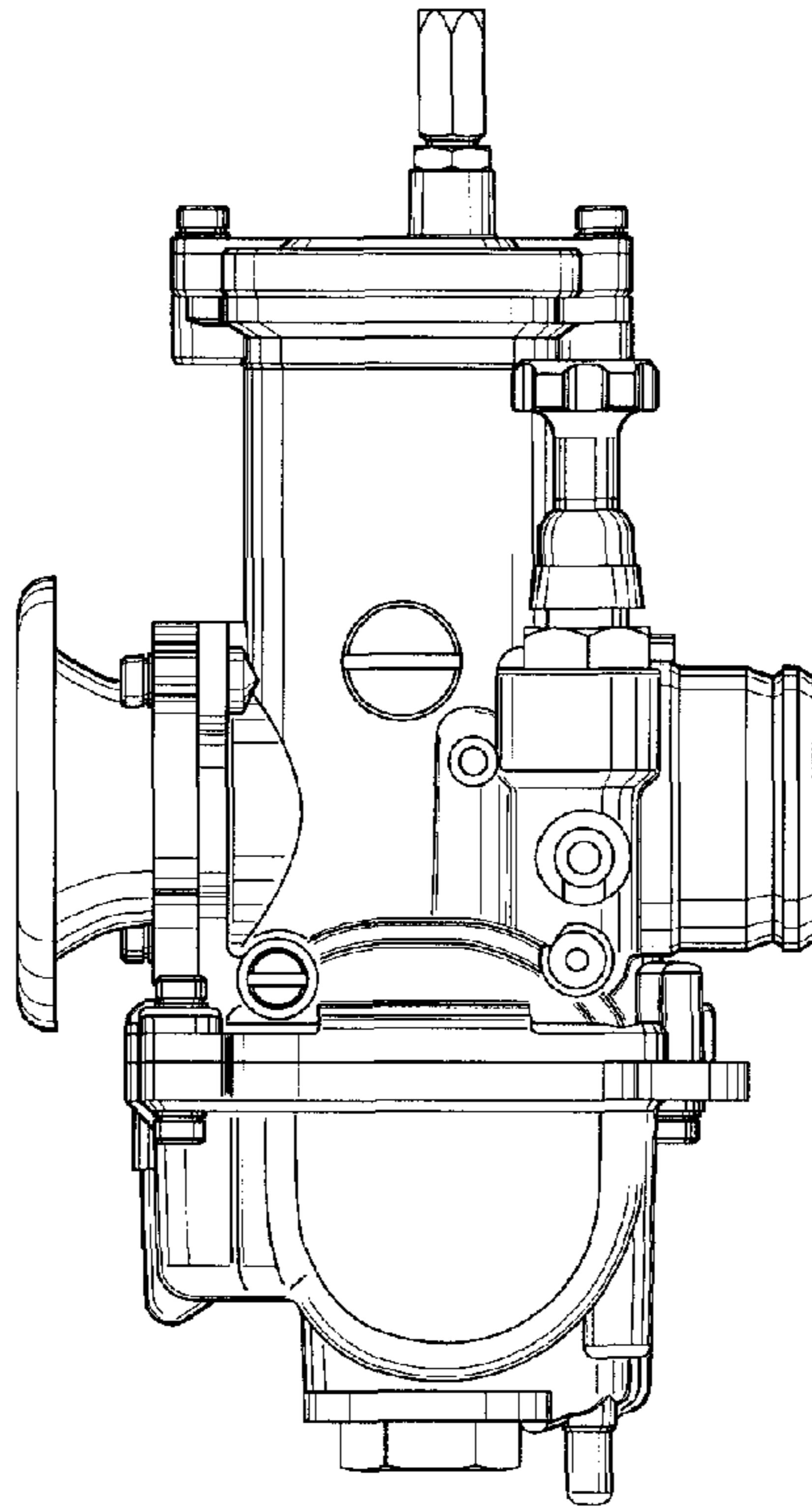


FIG.6

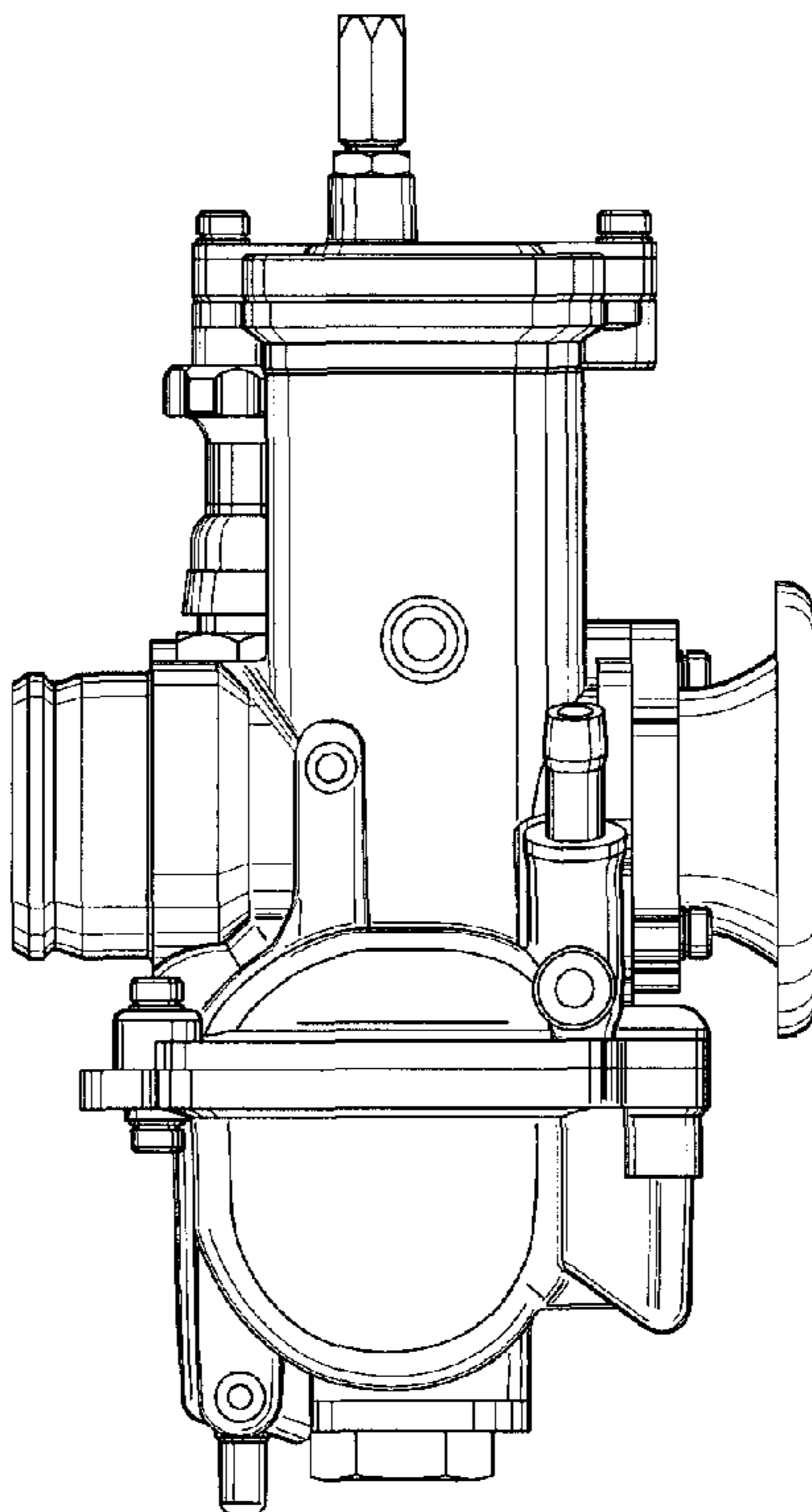


FIG.7

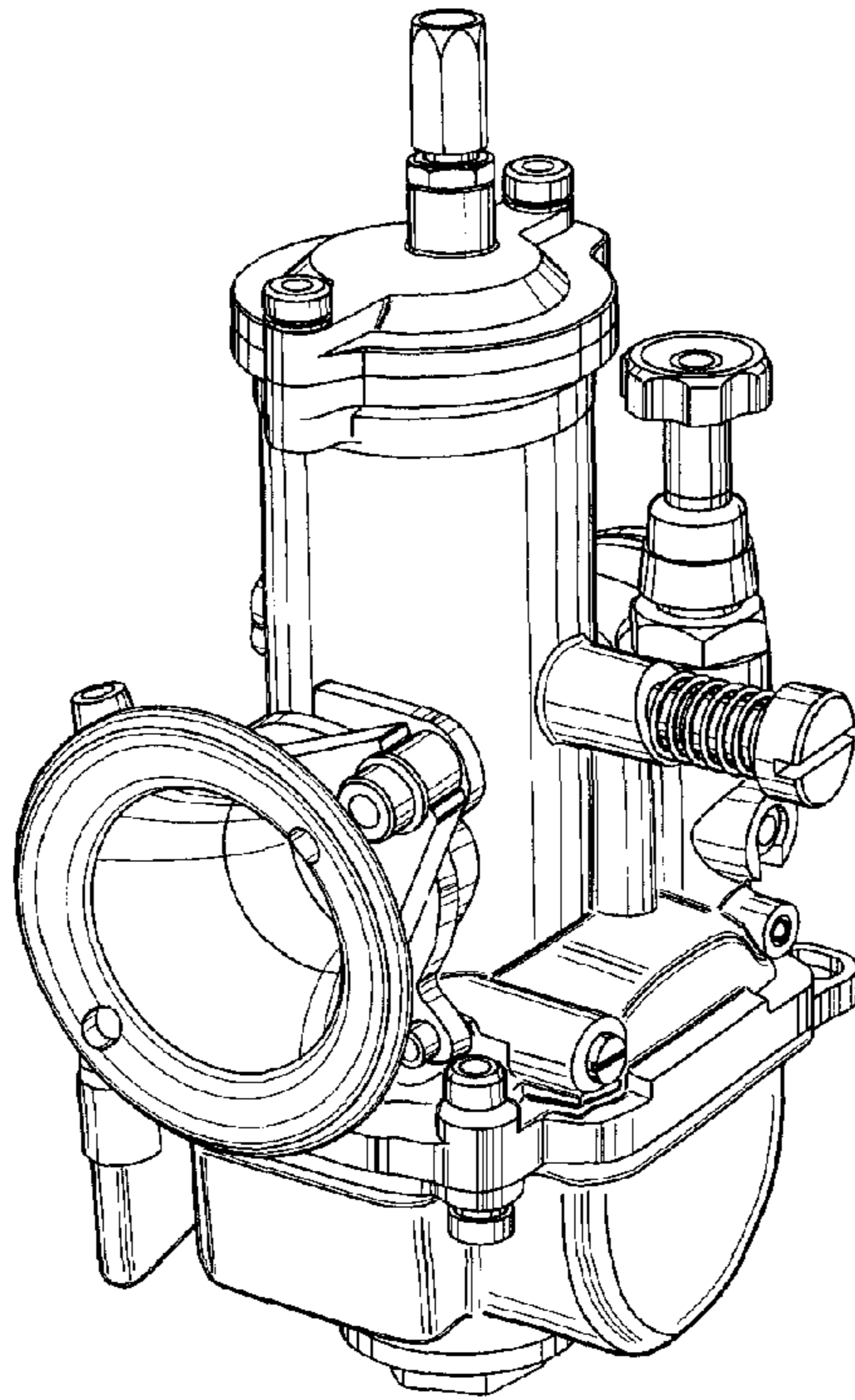


FIG.8

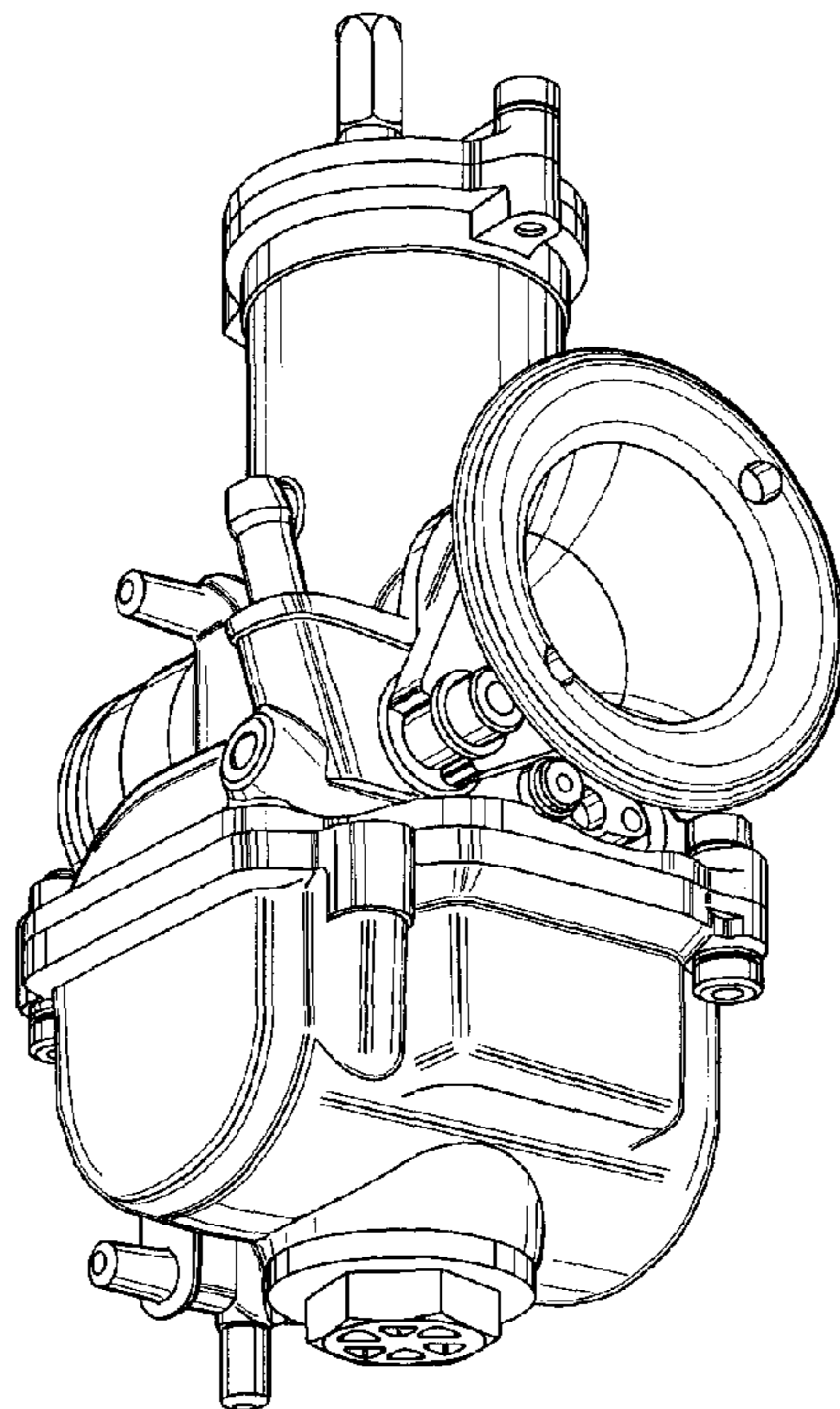




FIG.9

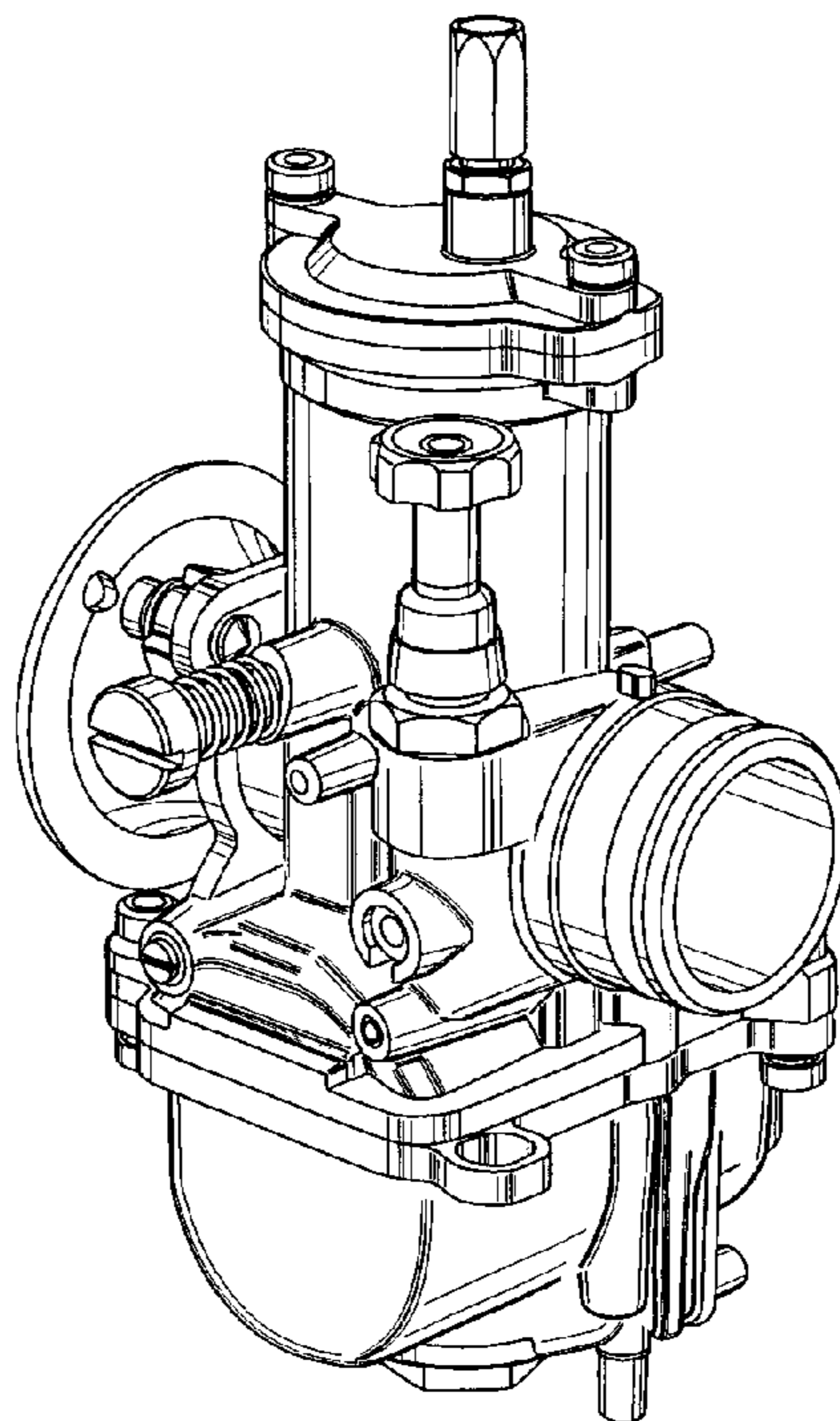


FIG.10

