

US00D625738S

(12) **United States Design Patent**
Jian

(10) **Patent No.:** **US D625,738 S**

(45) **Date of Patent:** **** Oct. 19, 2010**

(54) **CAR ENGINE COVER**

(76) Inventor: **Zhong-Qiang Jian**, No. 25 Ganluyuan
Nanli #3-31, Chaoyang District, Beijing
(CN) 100123

(**) Term: **14 Years**

(21) Appl. No.: **29/335,552**

(22) Filed: **Apr. 17, 2009**

(30) **Foreign Application Priority Data**

Oct. 20, 2008 (CN) 2008 3 0132782X

(51) **LOC (9) Cl.** **15-01**

(52) **U.S. Cl.** **D15/5**

(58) **Field of Classification Search** D15/1,
D15/2, 3, 5, 6, 14, 17, 149; 123/22, 41.34,
123/51 A, 606 R, 52.1, 50 A, 50 B, 54.1,
123/54.2, 54.4, 54.5, 65 R, 195 R, 195 HC,
123/657, 311

See application file for complete search history.

(56) **References Cited**

U.S. PATENT DOCUMENTS

D191,806 S * 11/1961 Lechtenberg D15/5

D375,101 S * 10/1996 Icenogle D15/4

D544,509 S * 6/2007 Tiller et al. D15/148

D567,820 S * 4/2008 Terazono et al. D15/5

D596,648 S * 7/2009 Jing et al. D15/5

* cited by examiner

Primary Examiner—T. Chase Nelson

Assistant Examiner—Ania K Dworzecka

(74) *Attorney, Agent, or Firm*—Harness Dickey & Pierce,
PLC

(57) **CLAIM**

The ornamental design for a car engine cover, as shown and described.

DESCRIPTION

FIG. 1 is a front view;

FIG. 2 is a bottom view;

FIG. 3 is a top view;

FIG. 4 is a left view;

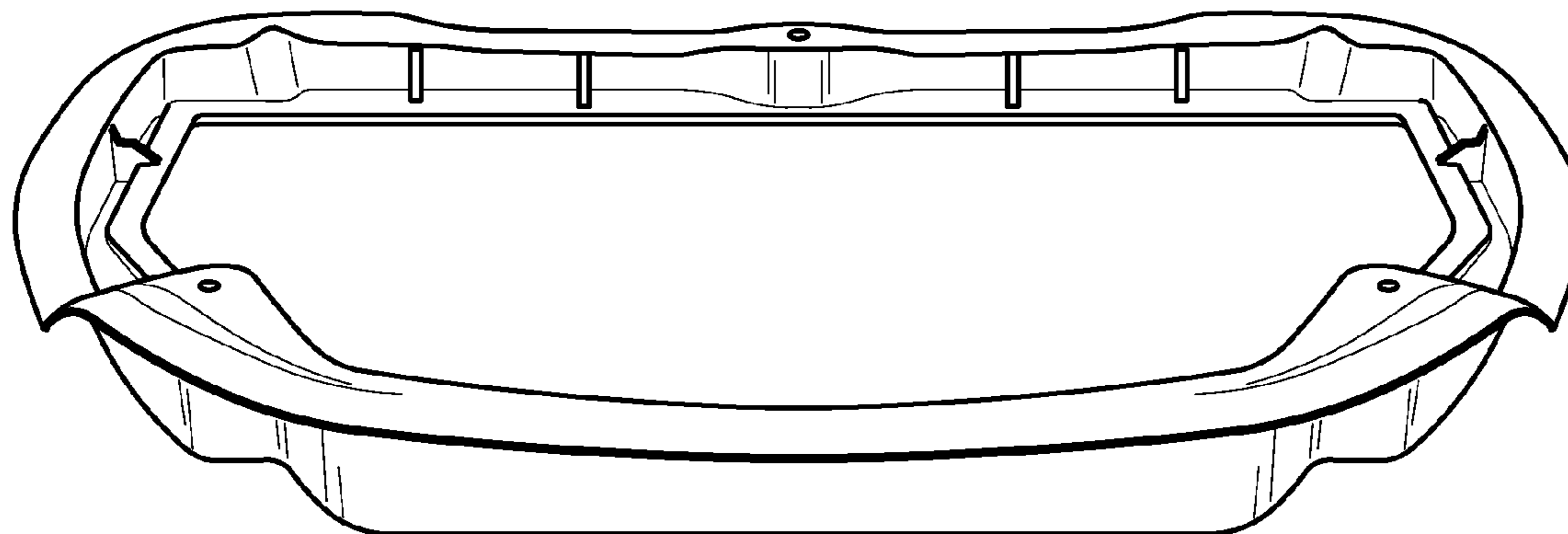
FIG. 5 is a right view;

FIG. 6 is a back view;

FIG. 7 is a front perspective view; and,

FIG. 8 is a rear perspective view.

1 Claim, 3 Drawing Sheets



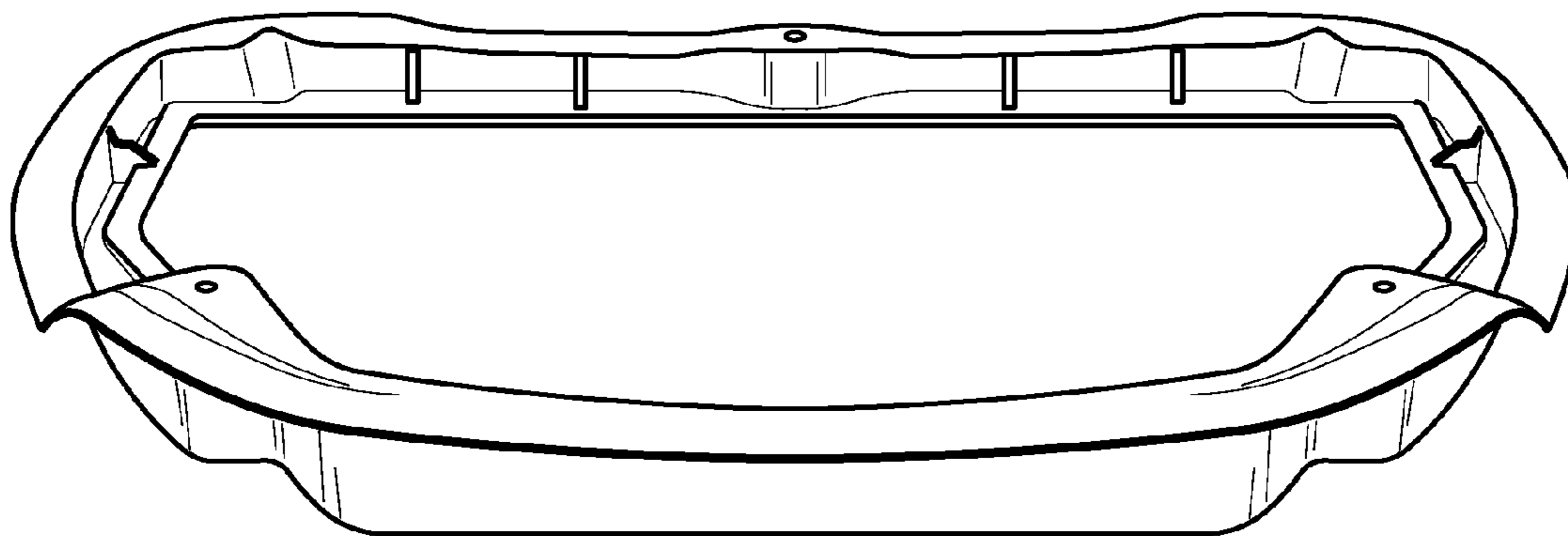


FIG - 1

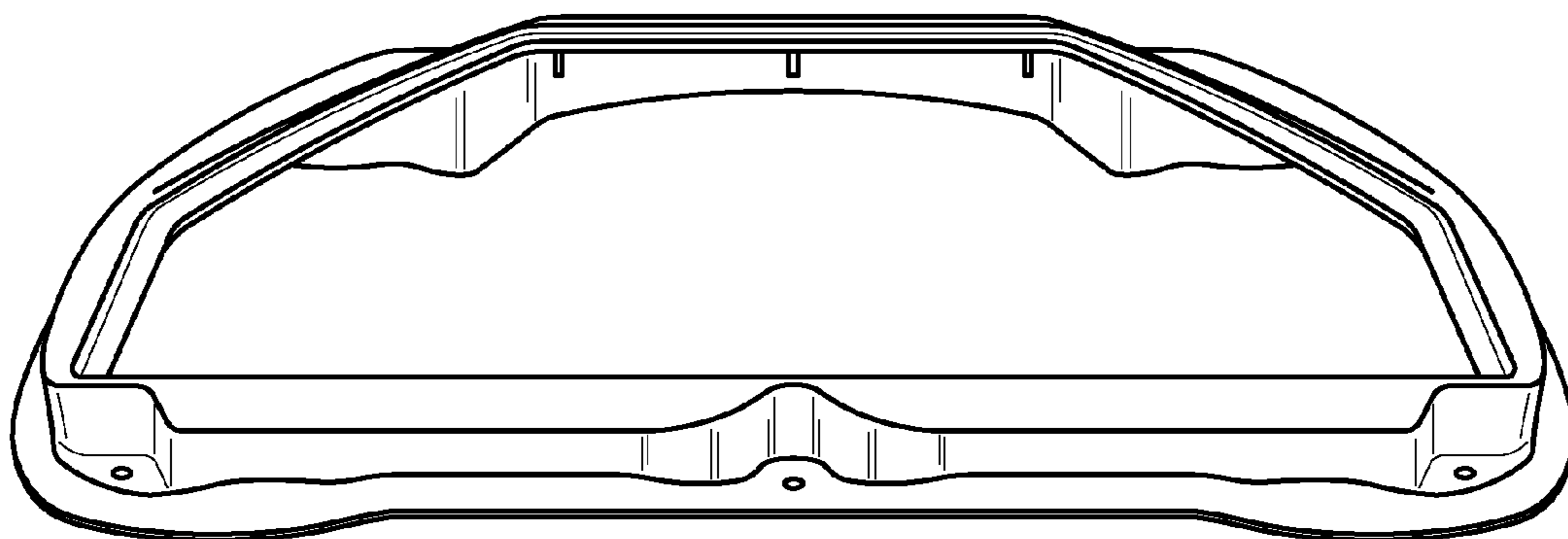


FIG - 2

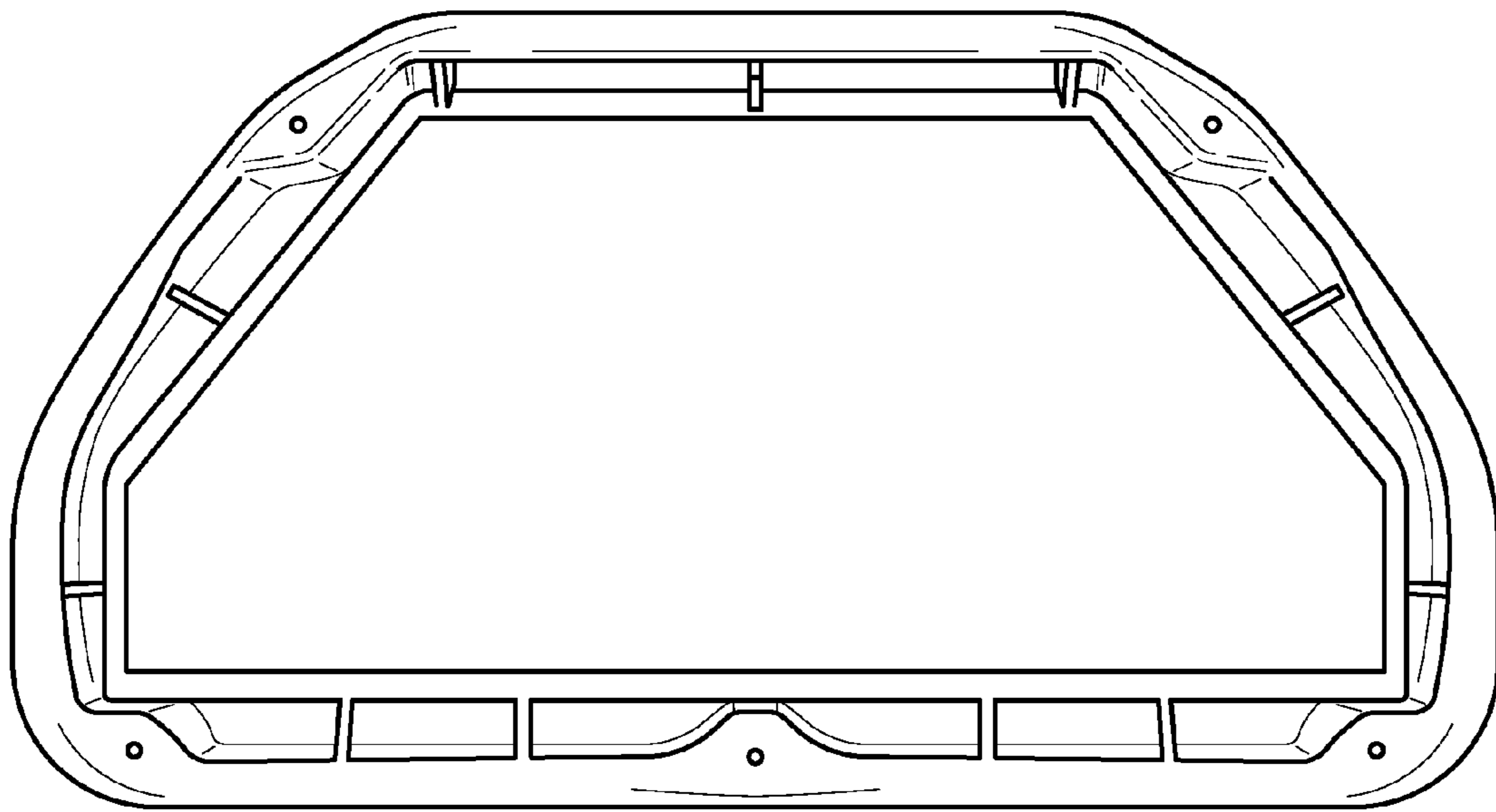


FIG - 3

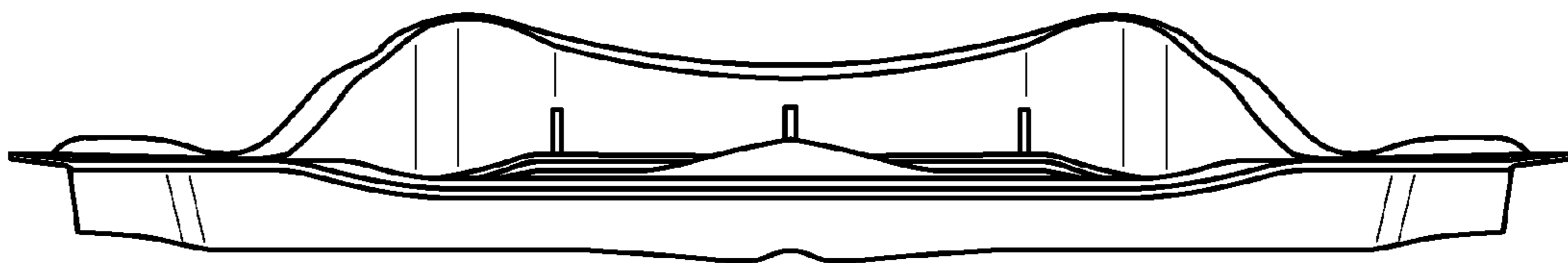


FIG - 4

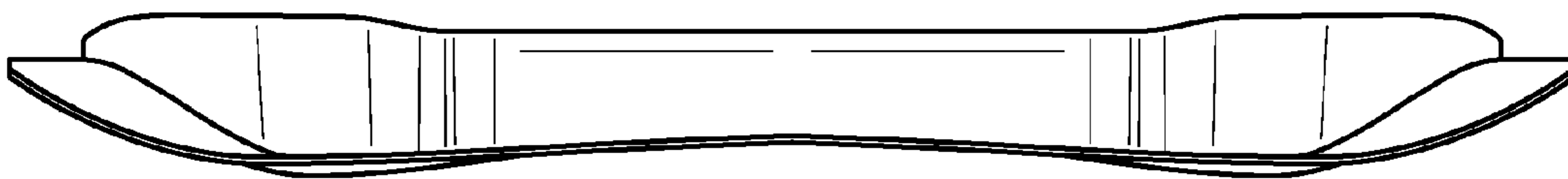


FIG - 5

FIG - 6

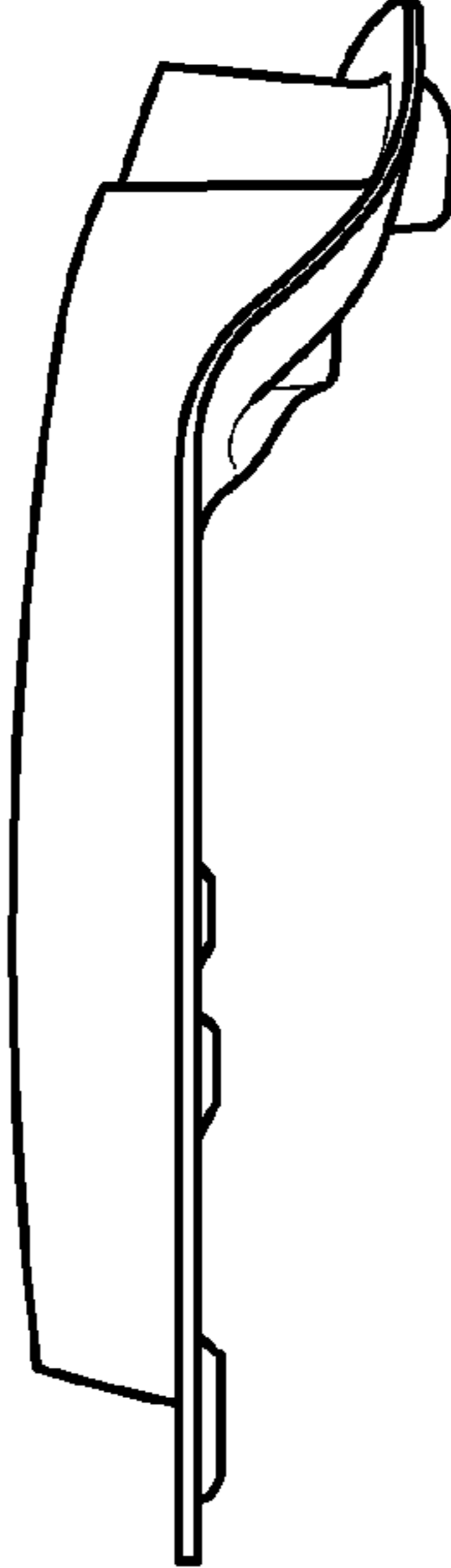


FIG - 7

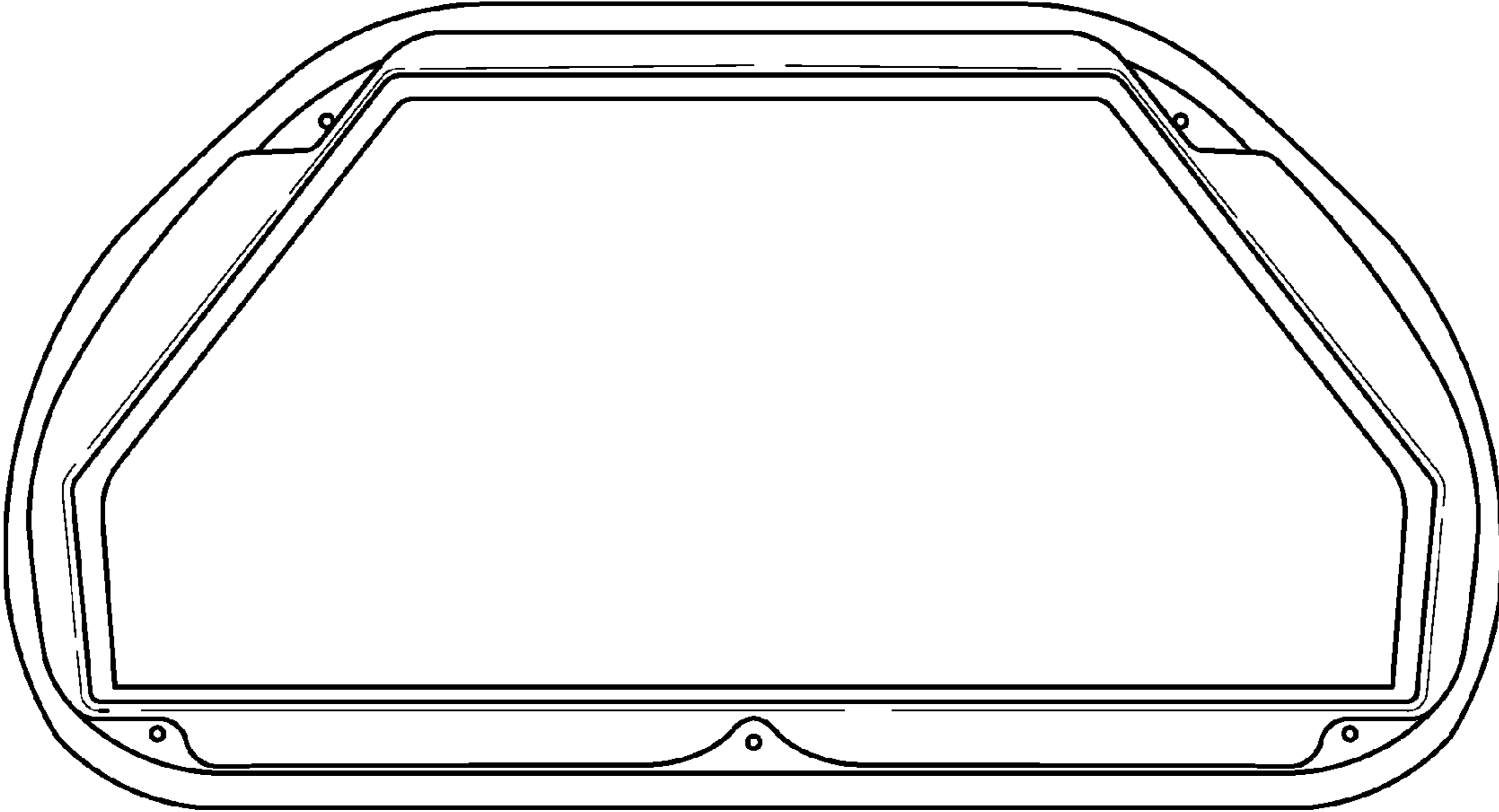
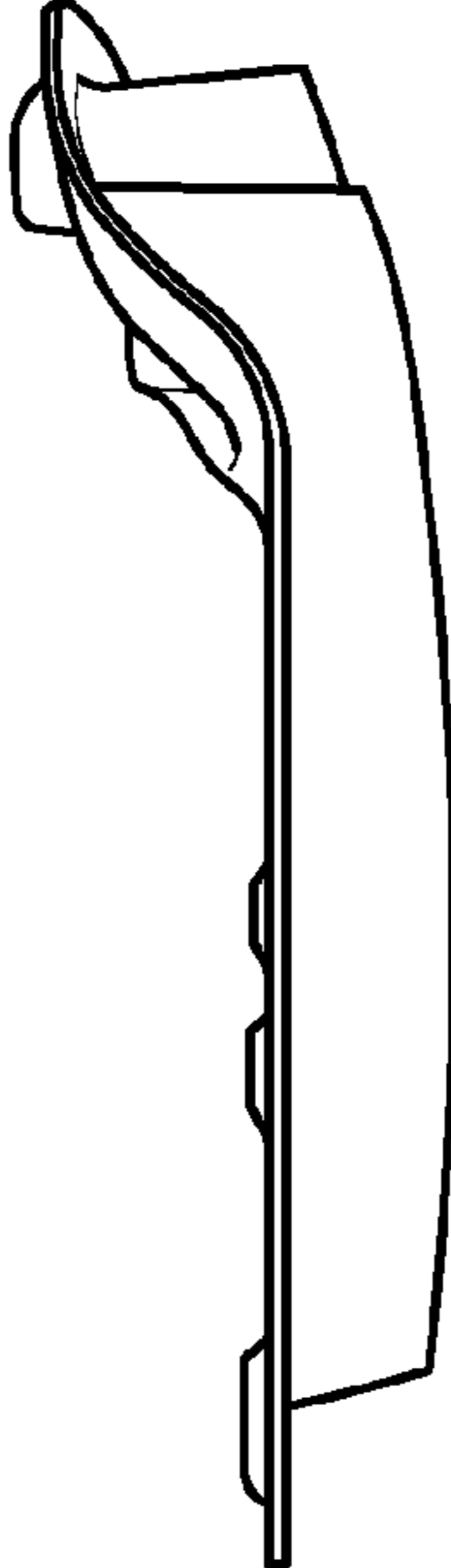


FIG - 8