



US00D625731S

(12) **United States Design Patent**
Stoops

(10) **Patent No.:** **US D625,731 S**

(45) **Date of Patent:** **** Oct. 19, 2010**

(54) **KEYBOARD/KEYBOARD ENCLOSURE**

(76) **Inventor:** **Kevin Ray Stoops**, 21290 Oakleaf Dr.,
O, Bucyrus, KS (US) 66013

(**) **Term:** **14 Years**

(21) **Appl. No.:** **29/341,069**

(22) **Filed:** **Jul. 30, 2009**

(51) **LOC (9) Cl.** **14-02**

(52) **U.S. Cl.** **D14/455; D14/399**

(58) **Field of Classification Search** D14/391-399,
D14/385, 455; D18/1, 2, 7, 11; 178/17 A,
178/17 C; 200/5 A, 5 R, 6 A, 6 R; 235/145 A,
235/145 R; 341/22, 23, 35; 345/160, 168;
361/679.01, 679.08, 679.17; 400/484-486,
400/488, 489, 492

See application file for complete search history.

(56) **References Cited**

U.S. PATENT DOCUMENTS

4,324,976	A *	4/1982	Lapeyre	235/145 R
D305,126	S *	12/1989	Yamaura et al.	D15/72
D310,660	S *	9/1990	Ishida	D14/399
D330,547	S *	10/1992	Howe et al.	D14/399
5,532,691	A *	7/1996	Honomizo	341/22
D373,998	S *	9/1996	Tutt et al.	D13/168
5,923,522	A *	7/1999	Sajna	361/288
6,031,470	A *	2/2000	Asari et al.	341/22
D428,011	S *	7/2000	Howe et al.	D14/399
D470,845	S *	2/2003	Hyun	D14/393
6,705,787	B2 *	3/2004	Jeffries et al.	400/714
6,765,158	B1 *	7/2004	Morrison et al.	200/5 R
D567,240	S *	4/2008	Griffin	D14/392
2005/0110745	A1 *	5/2005	Rutledge et al.	345/156

* cited by examiner

Primary Examiner—Freda S Nunn

(74) *Attorney, Agent, or Firm*—Kutak Rock LLP; Bryan P. Stanley

(57) **CLAIM**

The ornamental design for keyboard/keyboard enclosure, as shown and described.

DESCRIPTION

FIG. 1 is a rear perspective view of a keyboard/keyboard enclosure of the instant invention.

FIG. 2 is a front perspective view of the keyboard/keyboard enclosure of FIG. 1.

FIG. 3 is a rear view of the keyboard/keyboard enclosure of FIG. 1.

FIG. 4 is a front view of the keyboard/keyboard enclosure of FIG. 1.

FIG. 5 is a top view of the keyboard/keyboard enclosure of FIG. 1, the bottom view being a mirror image thereof.

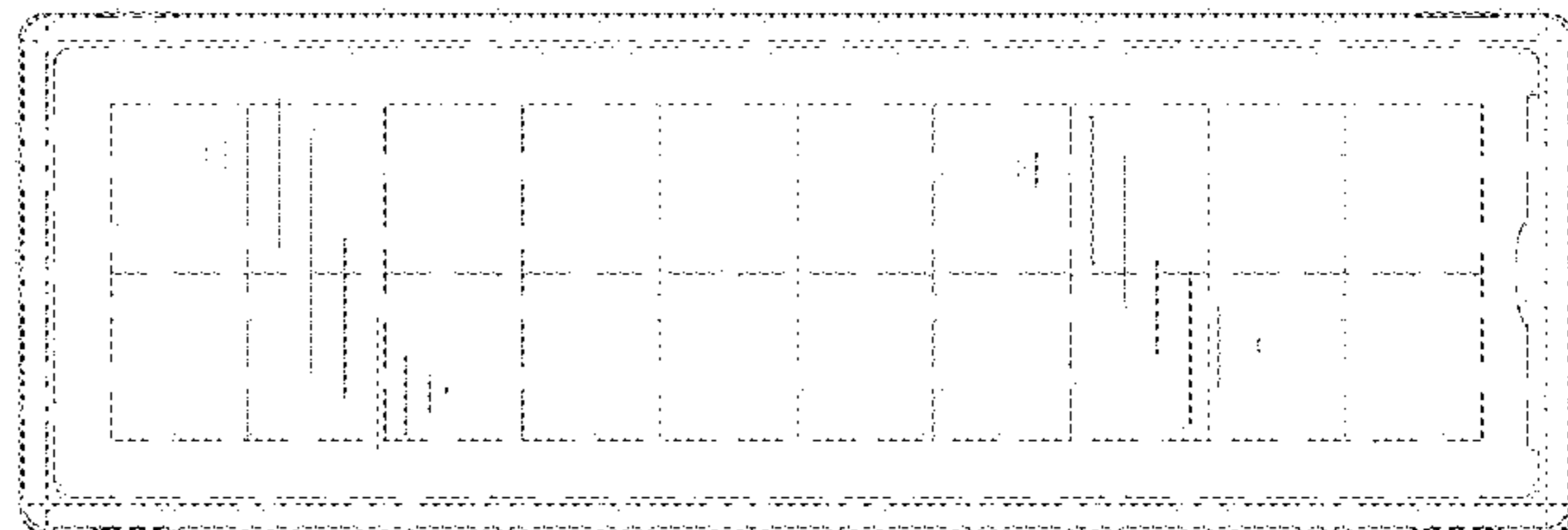
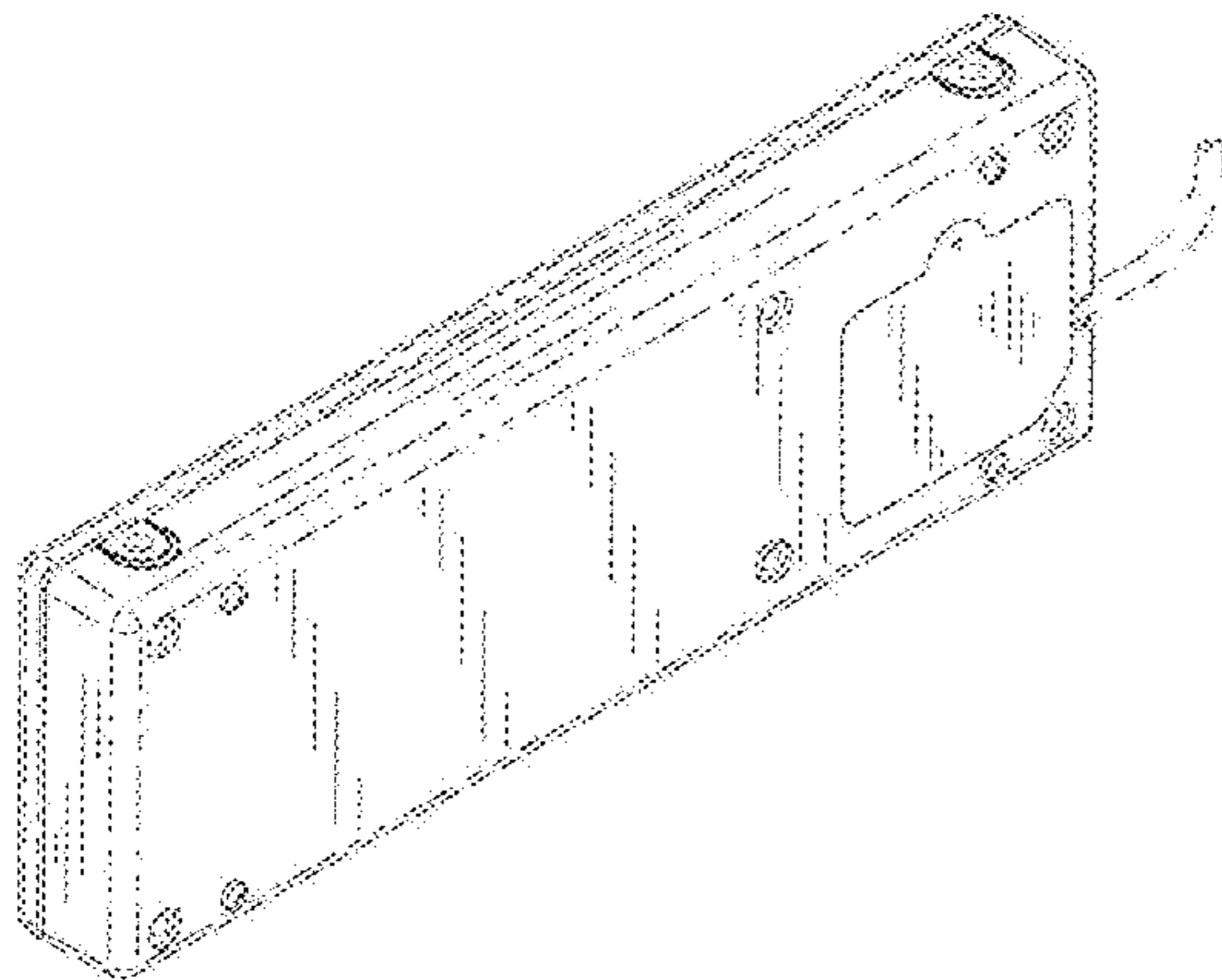
FIG. 6 is an end view of the keyboard/keyboard enclosure of FIG. 1.

FIG. 7 is another end view of the end of the keyboard/keyboard enclosure opposing that shown in FIG. 6; and,

FIG. 8 is a front view of the keyboard/keyboard enclosure of FIG. 1 with a keypad overlay positioned on the front surface of the keyboard/keyboard enclosure.

The broken lines shown in the drawings illustrate portions of the keyboard/keyboard enclosure and keypad overlay, and form no part of the claimed design. Further, the cord, also in broken lines in FIG. 1, is shown broken away to indicate and indeterminate length.

1 Claim, 4 Drawing Sheets



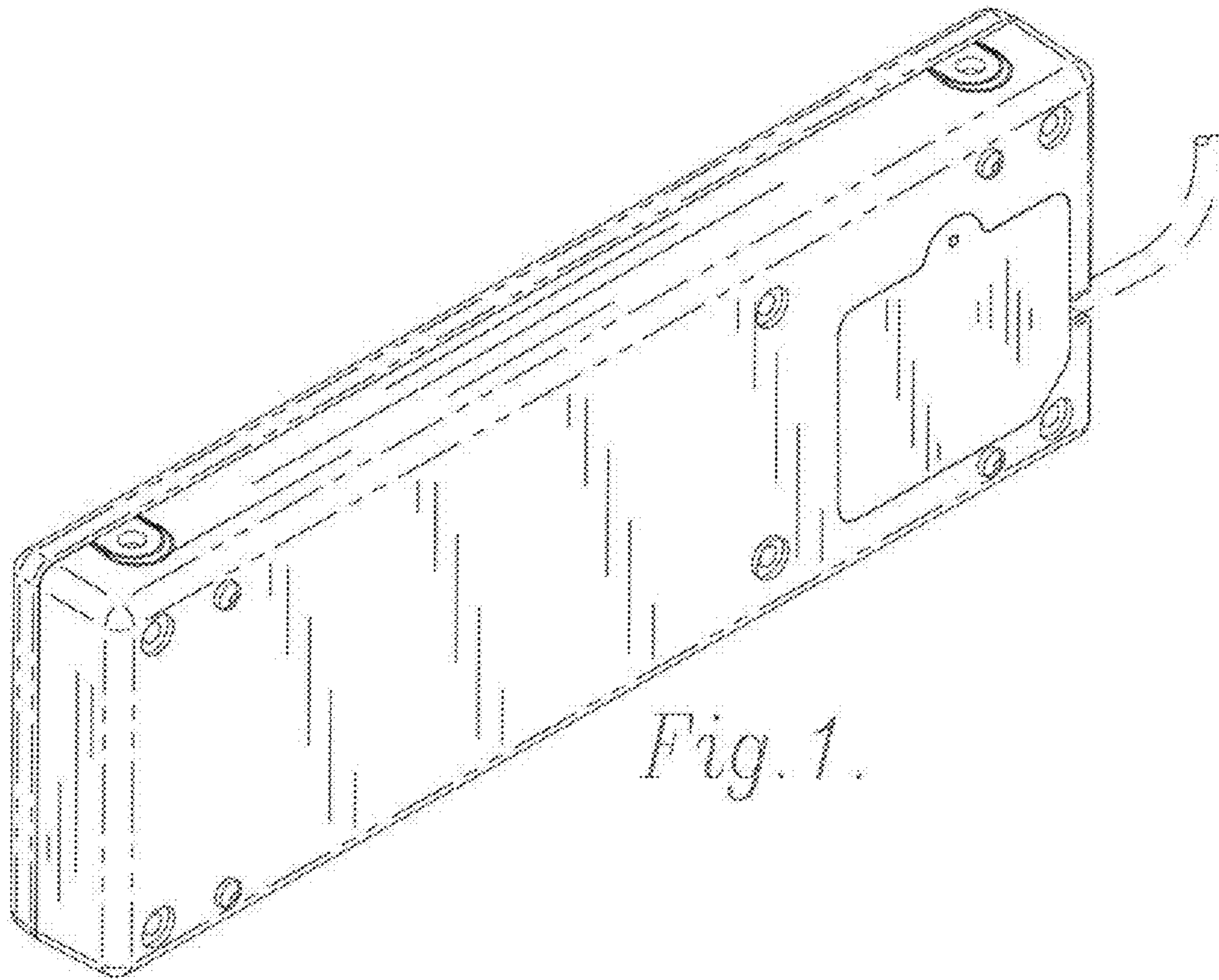


Fig. 1.

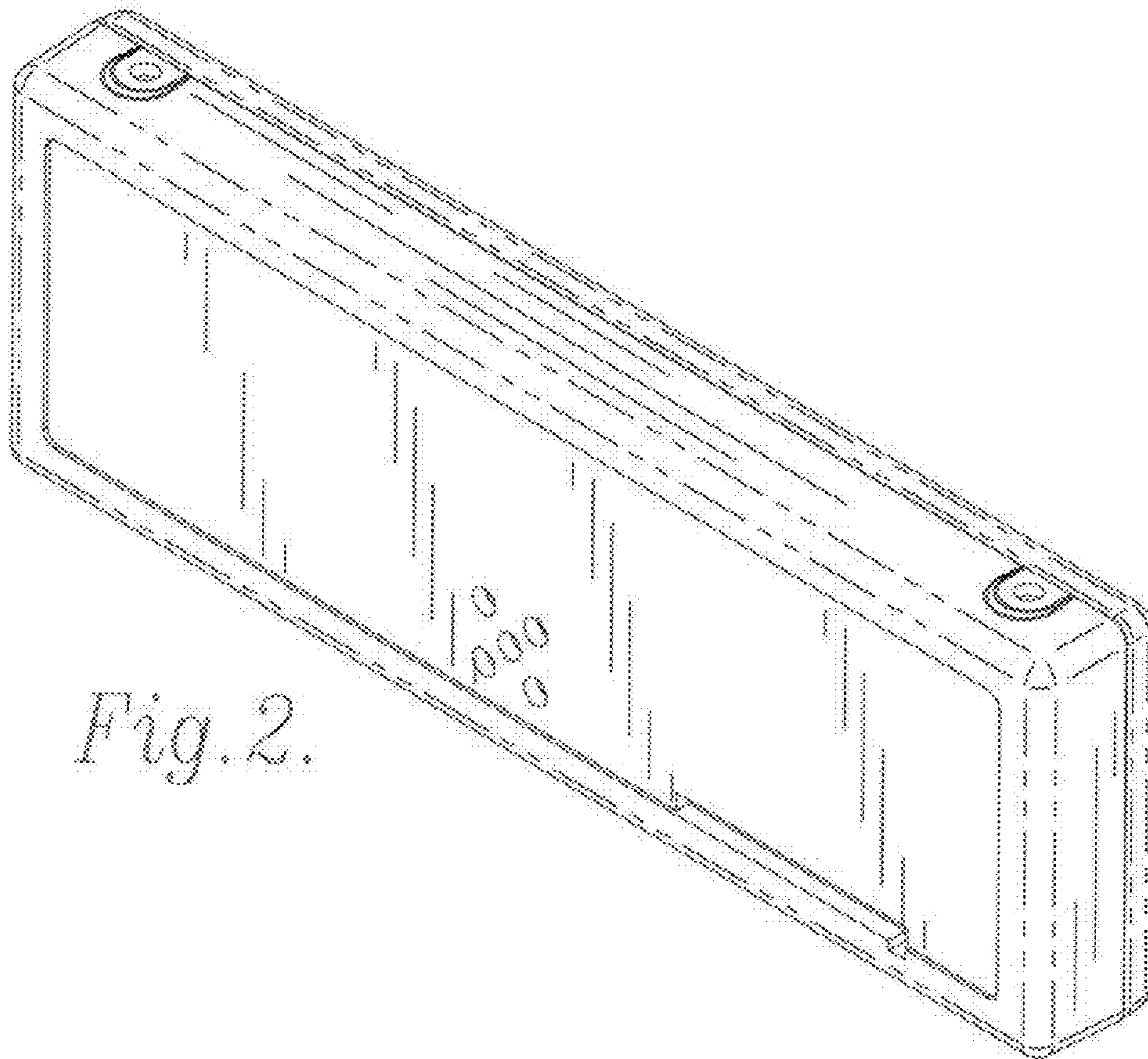


Fig. 2.

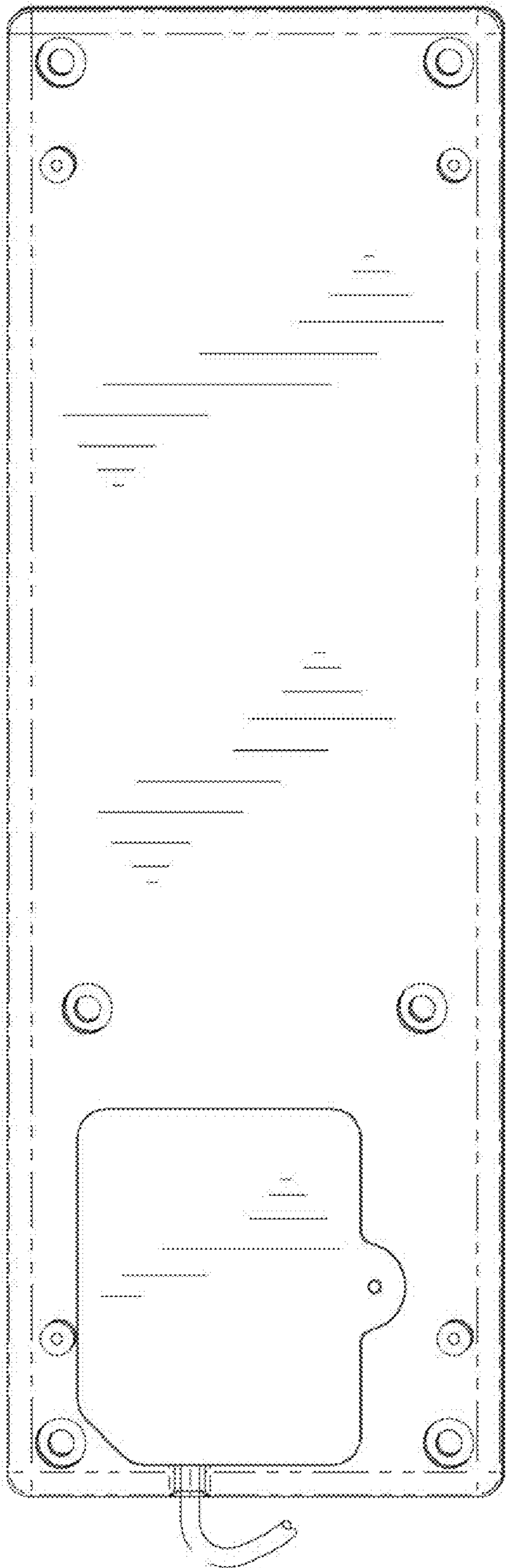


Fig. 3.

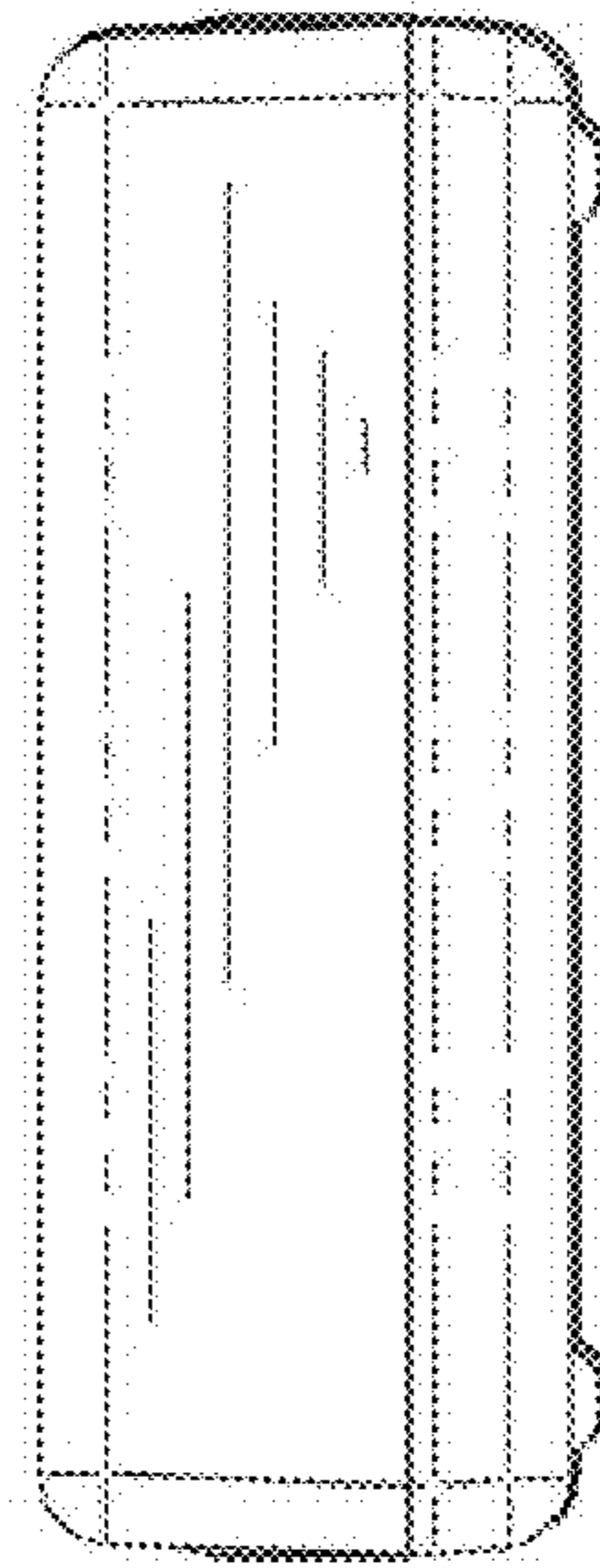


Fig. 7.

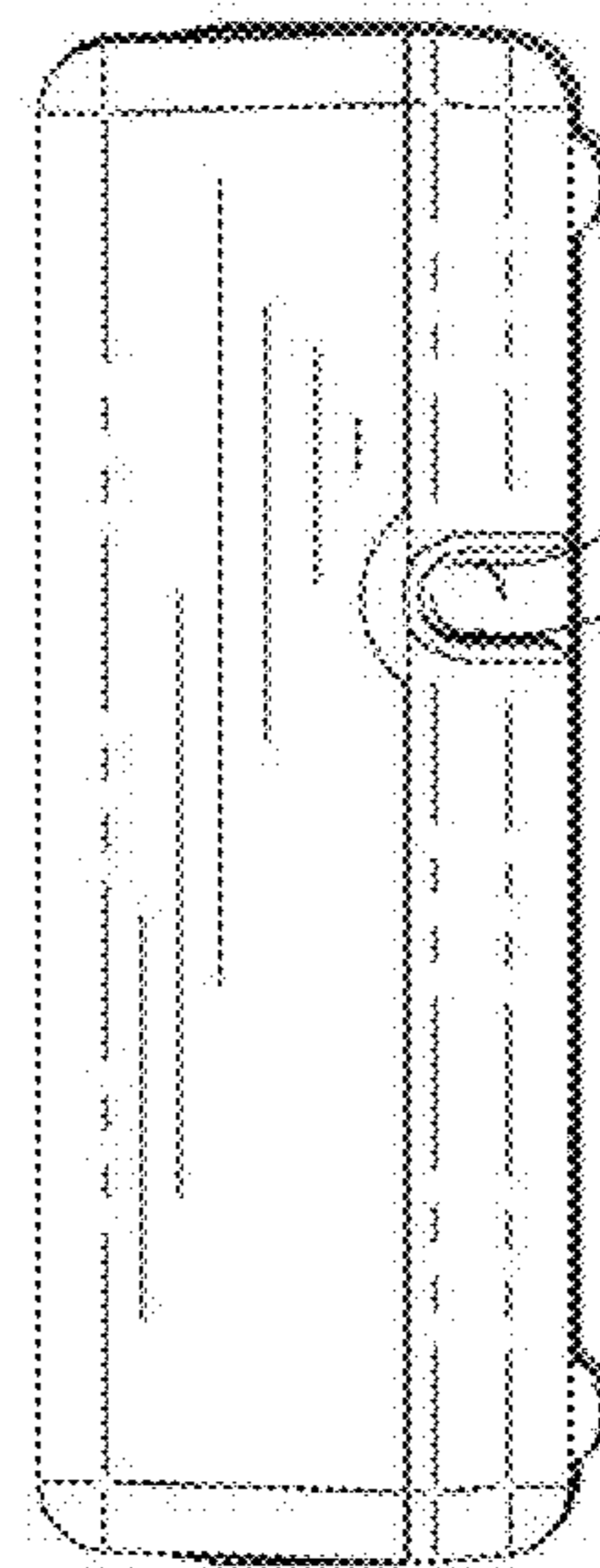


Fig. 6.

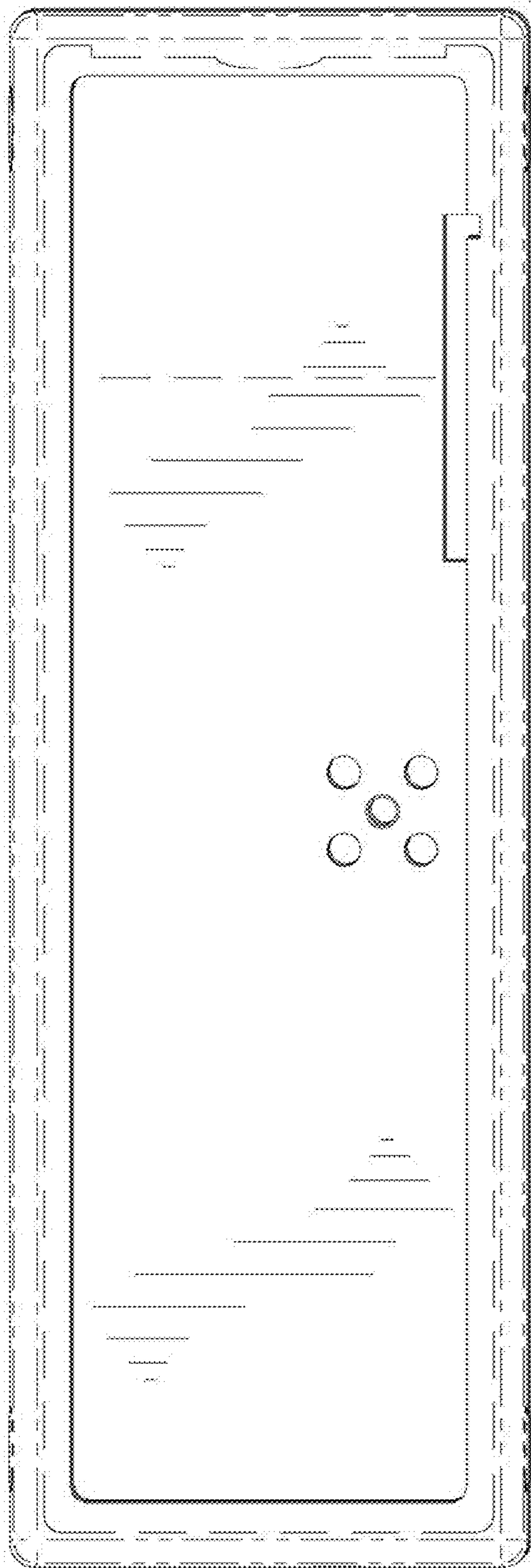


Fig. 4.

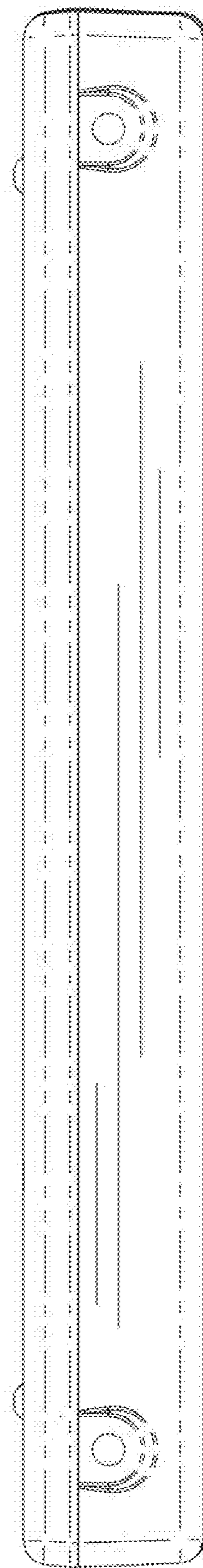


Fig. 5.

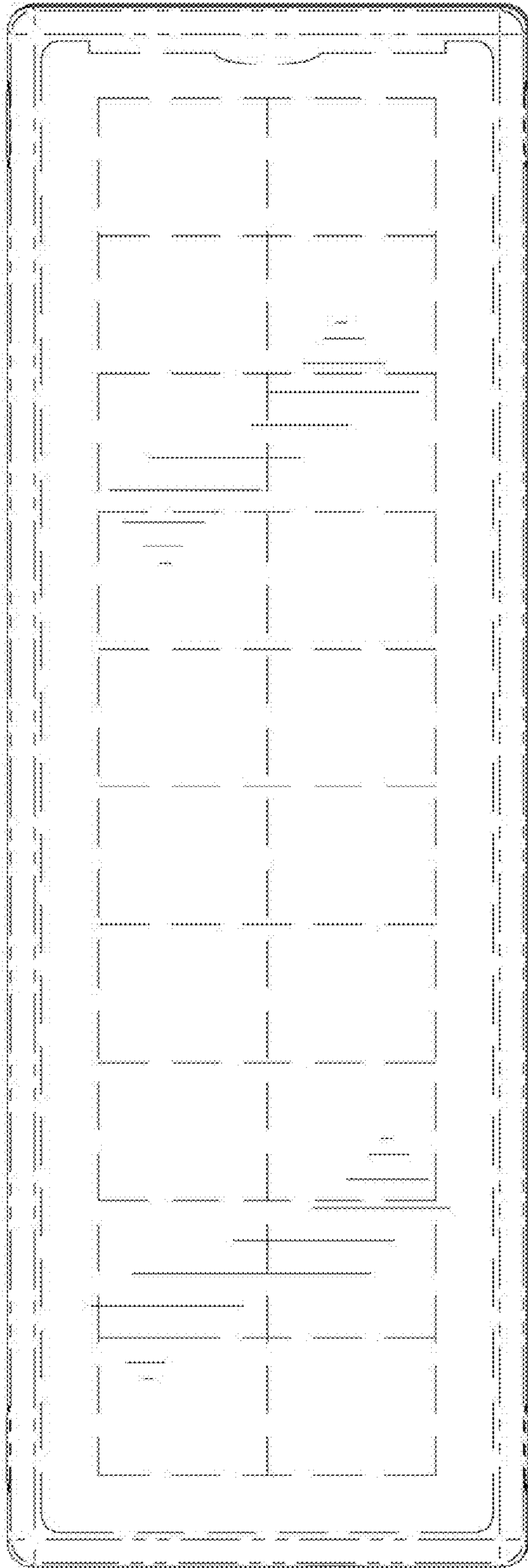


Fig. 8.