



US00D625729S

(12) **United States Design Patent**  
**McNames et al.**

(10) **Patent No.:** **US D625,729 S**  
(45) **Date of Patent:** **\*\* Oct. 19, 2010**

(54) **PERSONAL INERTIAL MONITOR DOCKING STATION**

(75) Inventors: **James McNames**, Portland, OR (US);  
**Pedro Mateo Riobo Aboy**, Beaverton, OR (US); **Andrew Greenberg**, Portland, OR (US); **Stephen Dylan Berry**, Beaverton, OR (US)

(73) Assignee: **APDM, Inc**, Portland, OR (US)

(\*\*) Term: **14 Years**

(21) Appl. No.: **29/339,740**

(22) Filed: **Jul. 7, 2009**

(51) **LOC (9) Cl.** ..... **14-02**

(52) **U.S. Cl.** ..... **D14/434; D10/65**

(58) **Field of Classification Search** ..... D14/432-434, D14/314, 204; D13/108, 146; D10/65; 248/346.03, 248/346.06; 361/679.41, 679.31, 679.32, 361/679.4, 679.43, 731; 320/112; 379/446  
See application file for complete search history.

(56) **References Cited**

U.S. PATENT DOCUMENTS

D328,277 S *	7/1992	Leman et al. ....	D13/108
D469,097 S *	1/2003	Liu .....	D14/434
7,145,603 B2 *	12/2006	Whitby et al. ....	348/375
D534,862 S *	1/2007	Aguilar .....	D13/108
D554,107 S *	10/2007	Calco et al. ....	D14/217
D558,207 S *	12/2007	Ikeda et al. ....	D14/434
D558,739 S *	1/2008	Andre et al. ....	D14/217

D563,868 S *	3/2008	Christopher et al. ....	D13/108
7,408,460 B2 *	8/2008	Crystal et al. ....	340/540
2006/0250764 A1 *	11/2006	Howarth et al. ....	361/683
2008/0219488 A1 *	9/2008	Crooijmans et al. ....	381/333

\* cited by examiner

*Primary Examiner*—Freda S Nunn

(74) *Attorney, Agent, or Firm*—Mateo Aboy; Aboy & Associates, PC

(57) **CLAIM**

We claim the ornamental design for a personal inertial monitor docking station, as shown and described.

**DESCRIPTION**

FIG. 1 is a top, front perspective view of a personal inertial monitor docking station showing our new design;

FIG. 2 is a top, rear perspective view thereof;

FIG. 3 is a bottom, front, side perspective view thereof;

FIG. 4 is a top, front, side perspective view thereof;

FIG. 5 front side view thereof;

FIG. 6 is rear side view thereof;

FIG. 7 is a left side view thereof;

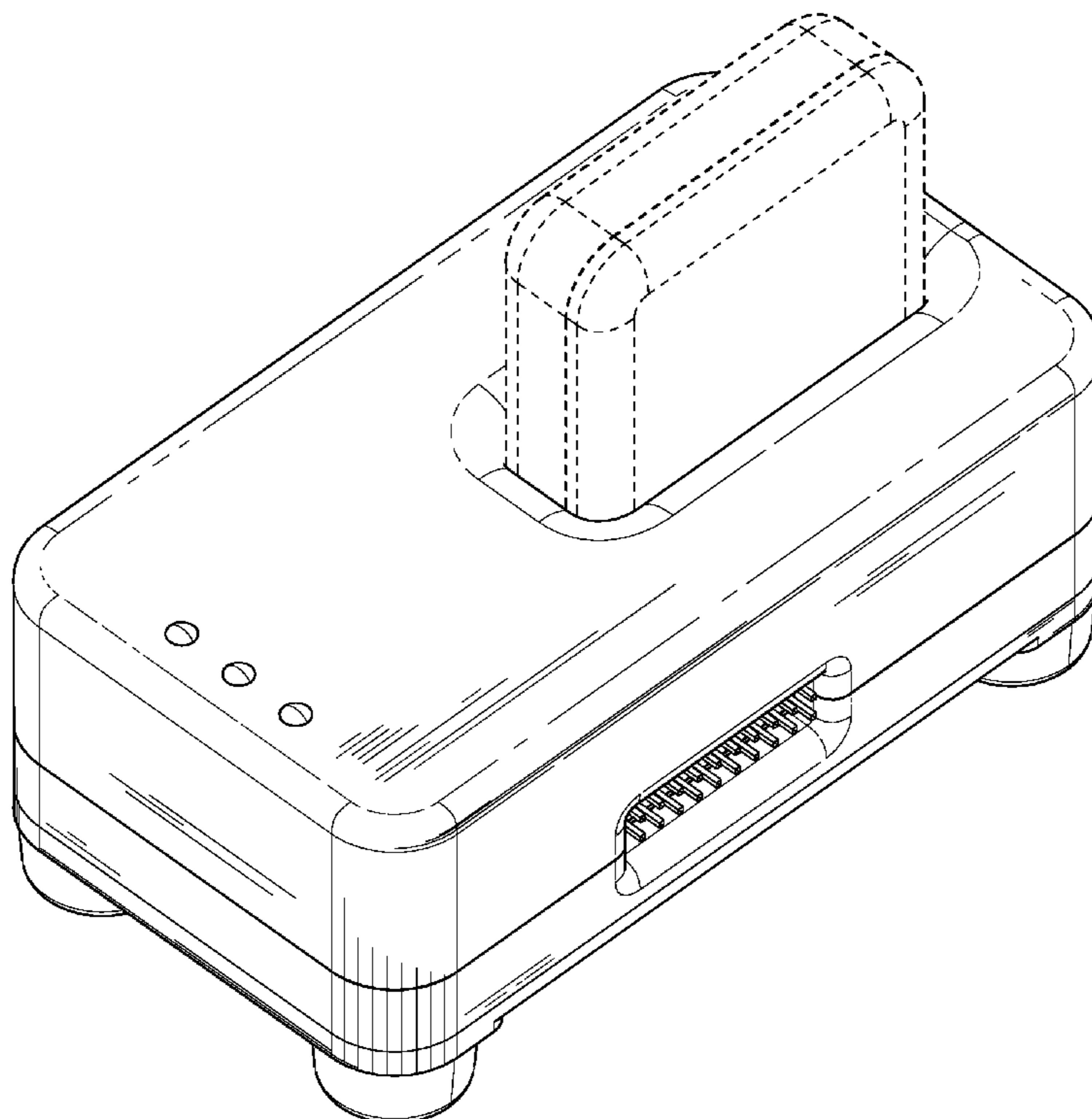
FIG. 8 is a right side view thereof;

FIG. 9 is a top view thereof; and,

FIG. 10 is a bottom view thereof.

Broken lines are shown for environmental purposes only, and form no part of the claimed design.

**1 Claim, 9 Drawing Sheets**



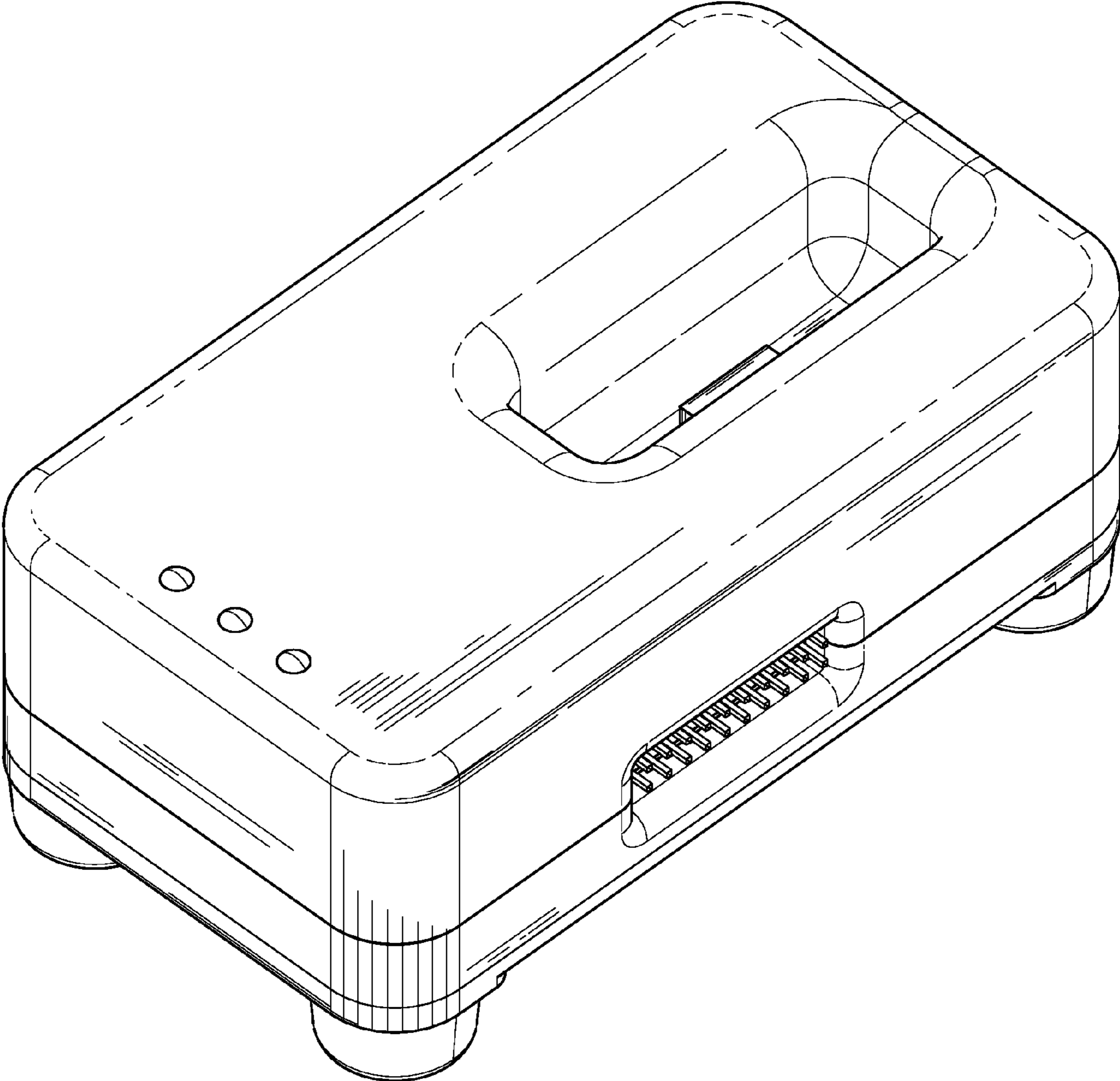


FIG.1

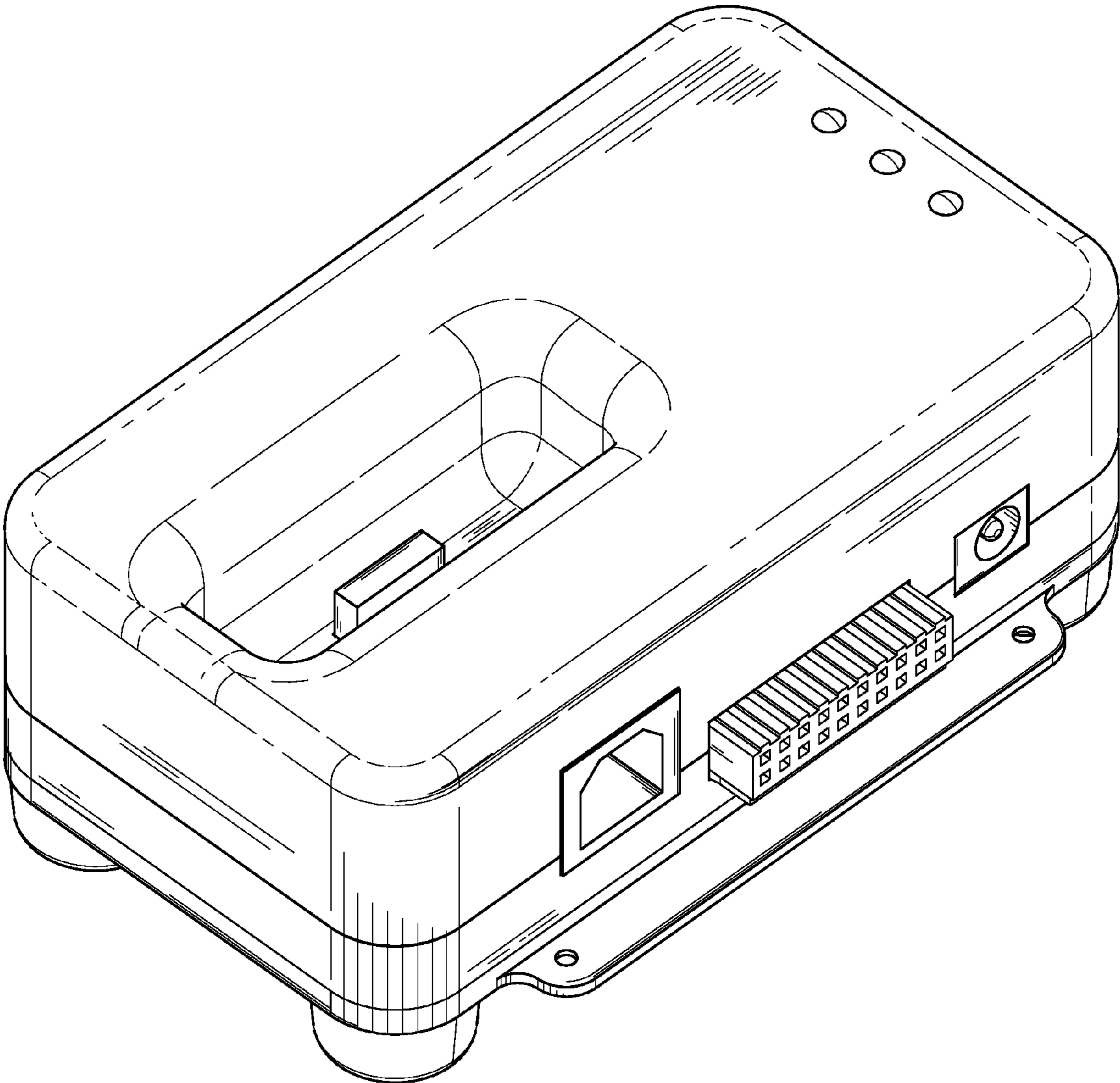


FIG.2

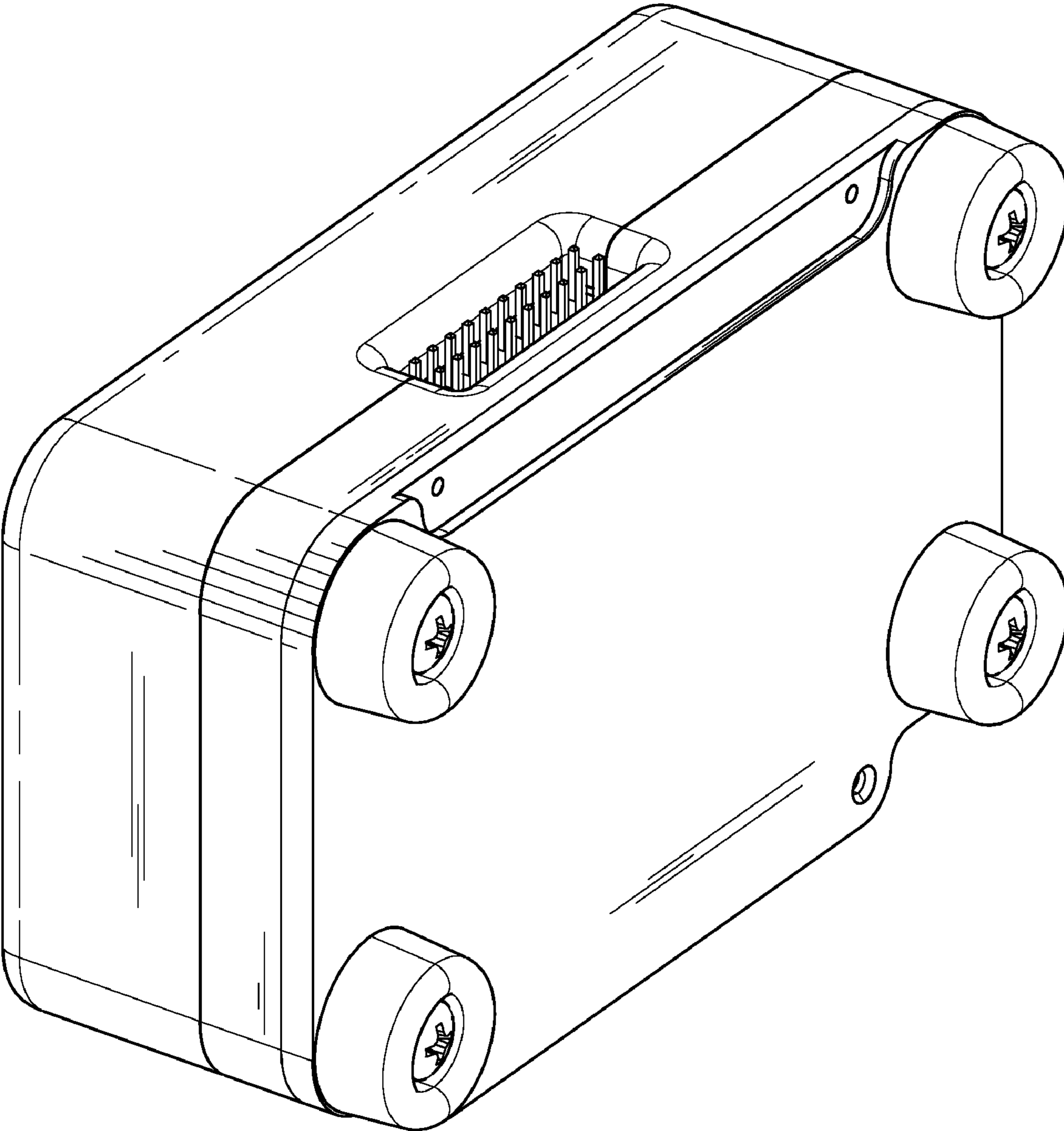


FIG.3

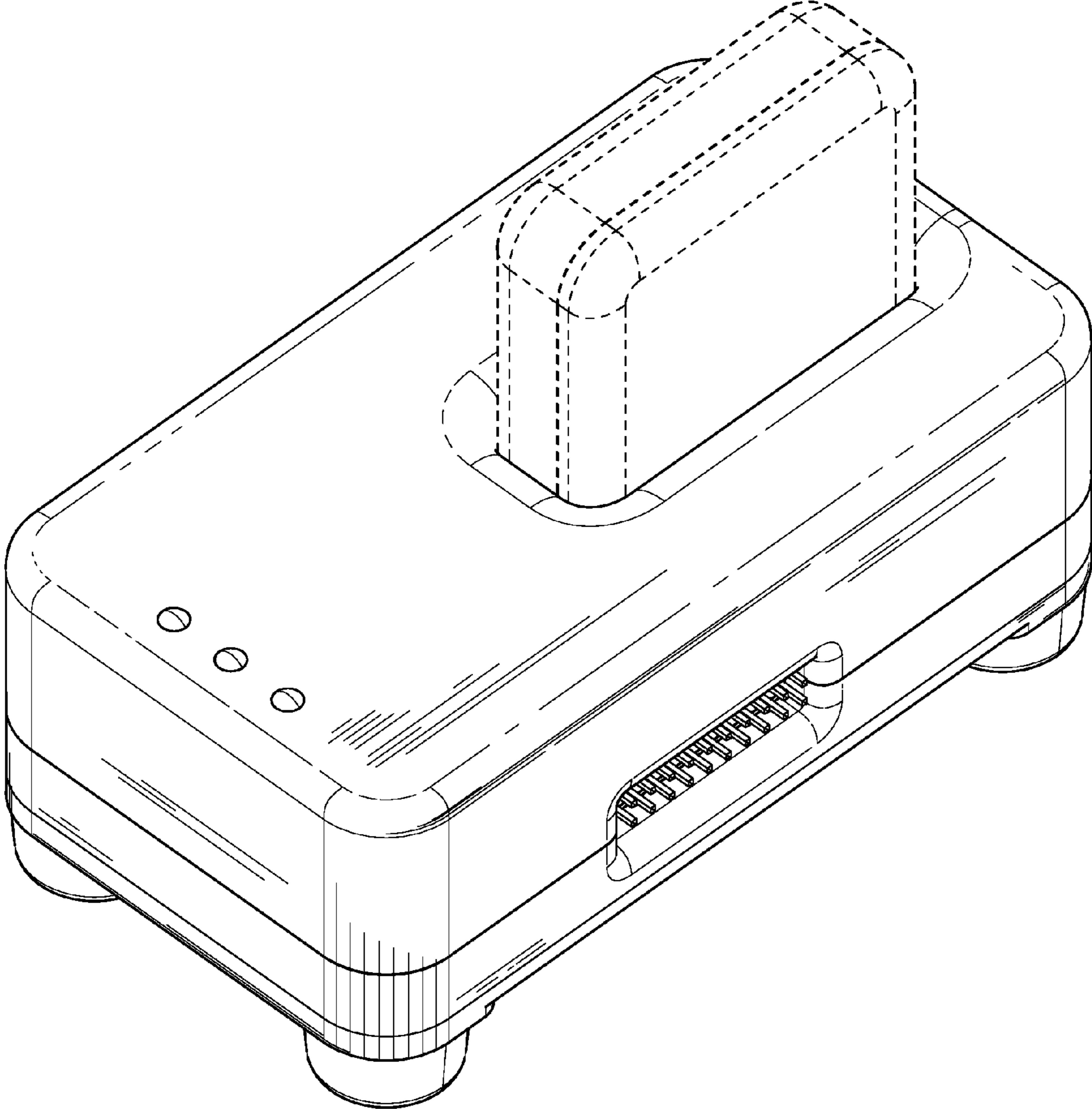


FIG.4

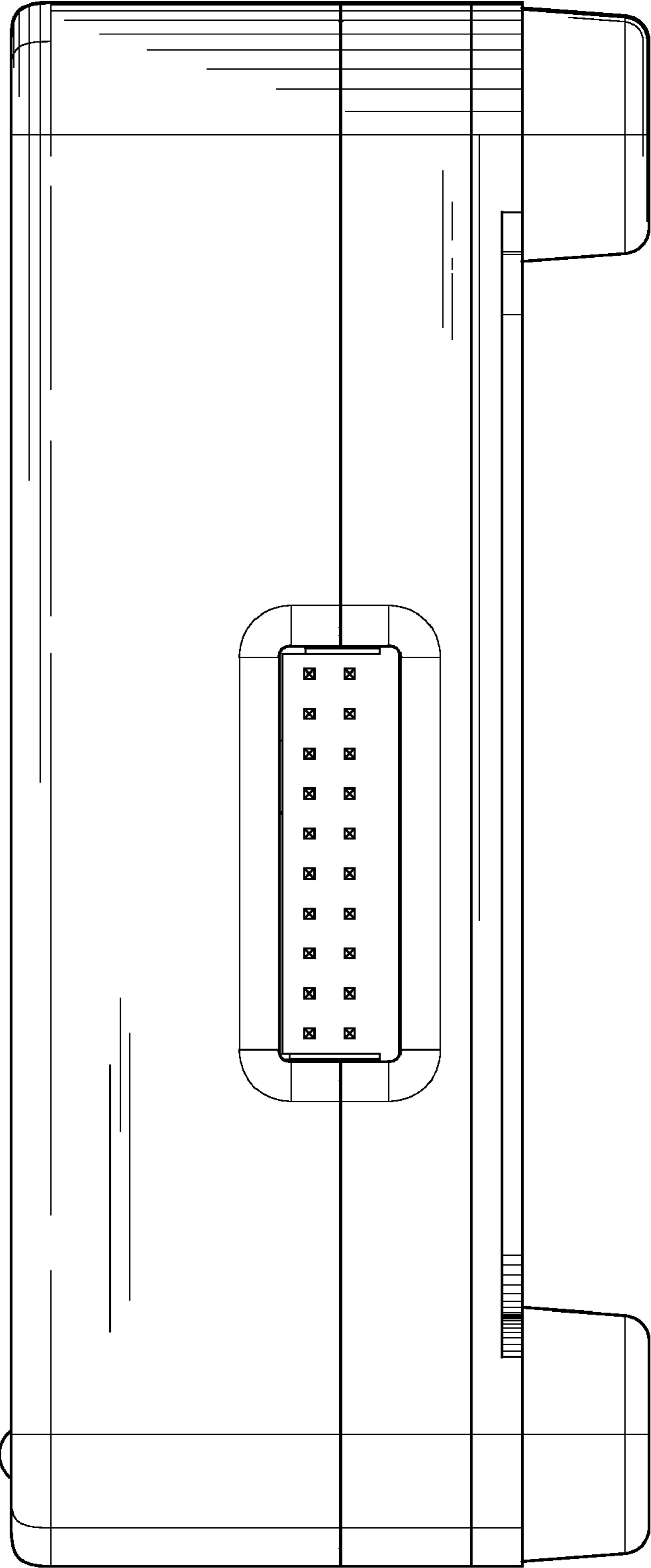


FIG.5

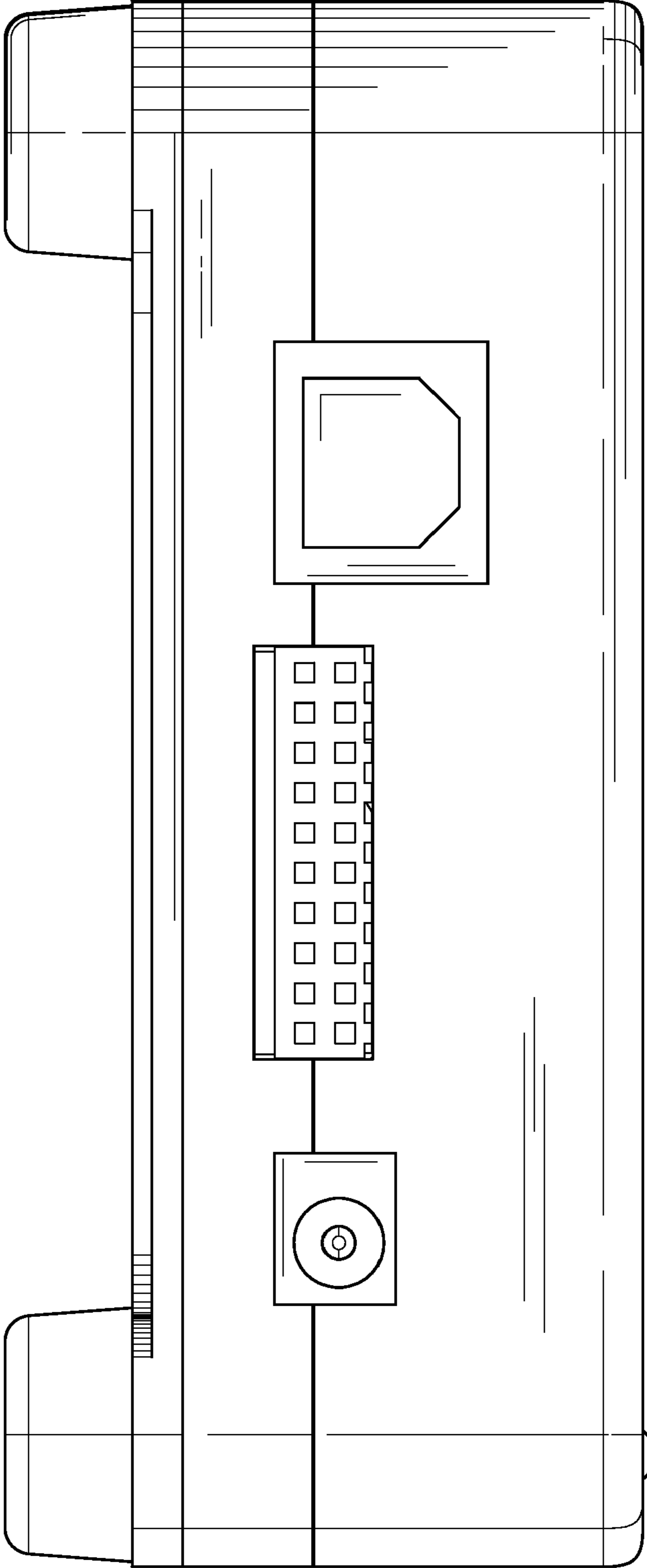


FIG.6

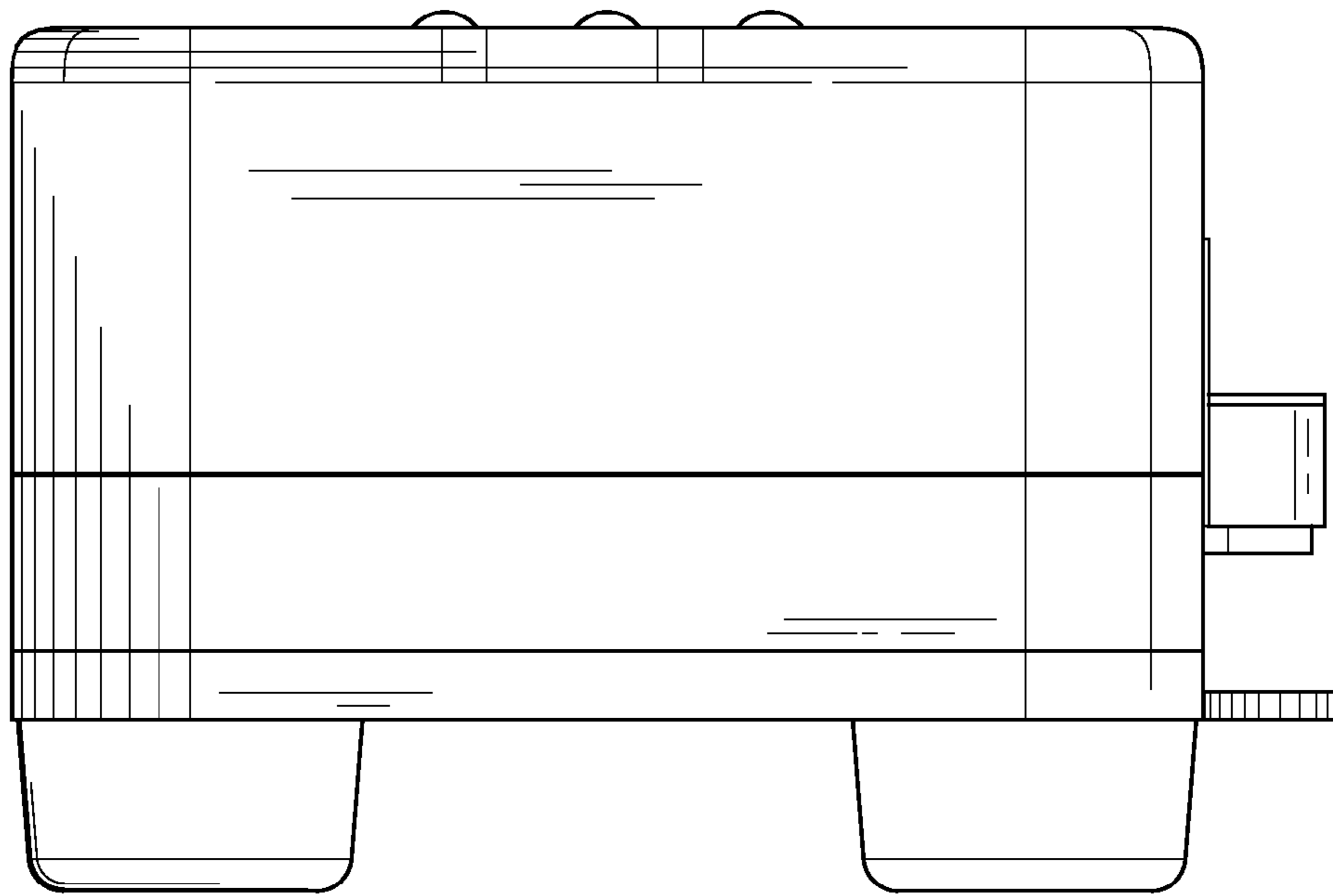


FIG.7

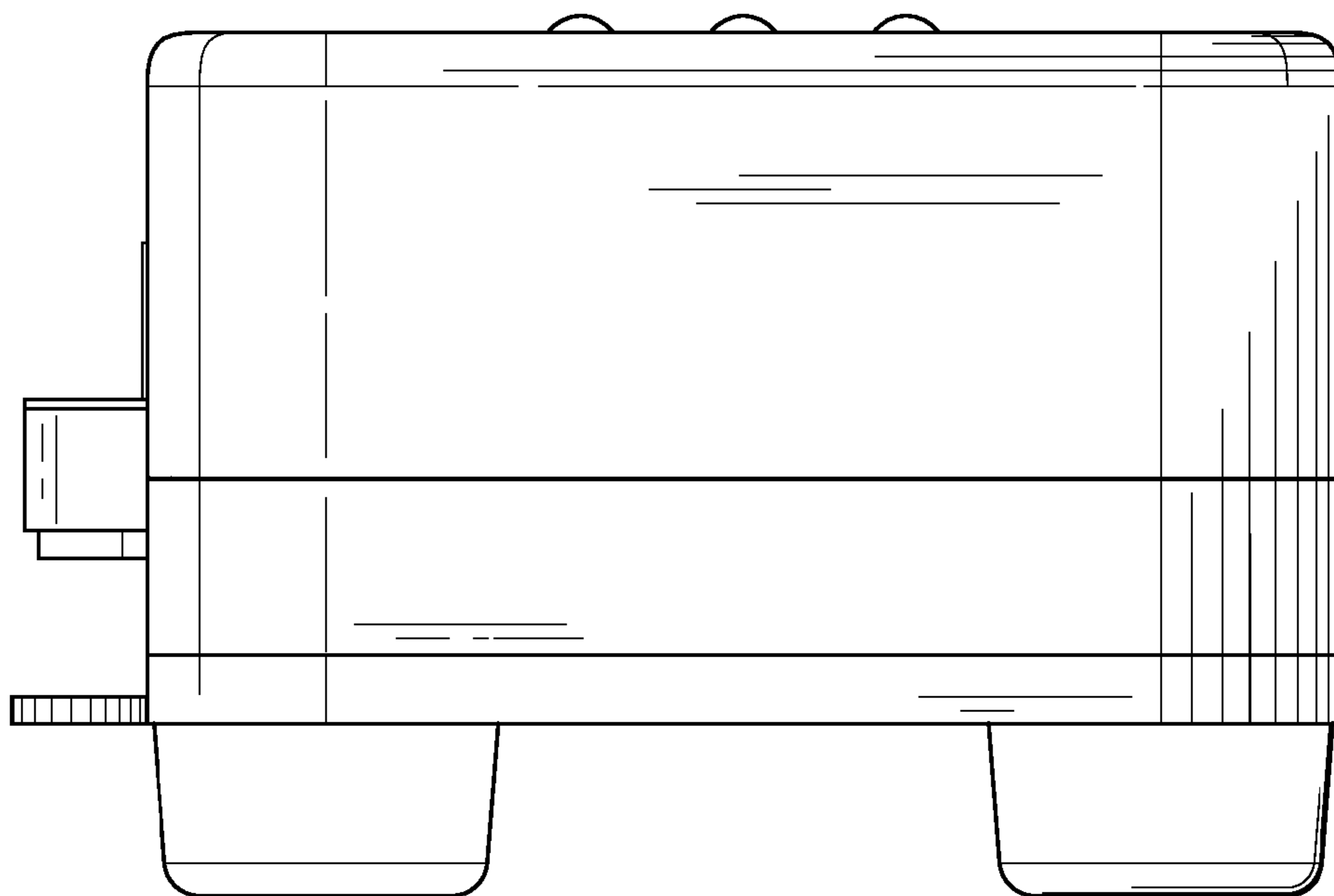


FIG.8



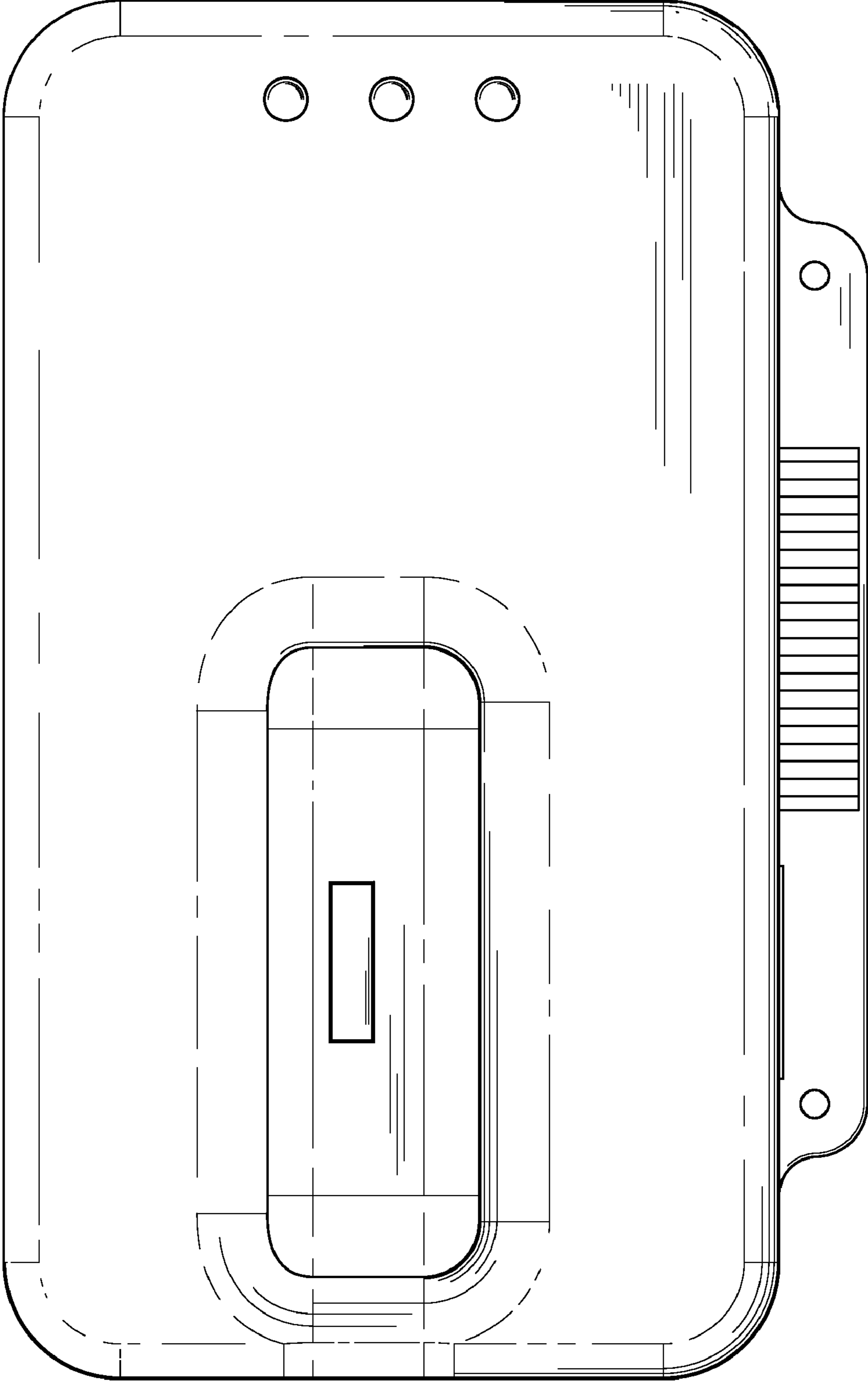


FIG.9

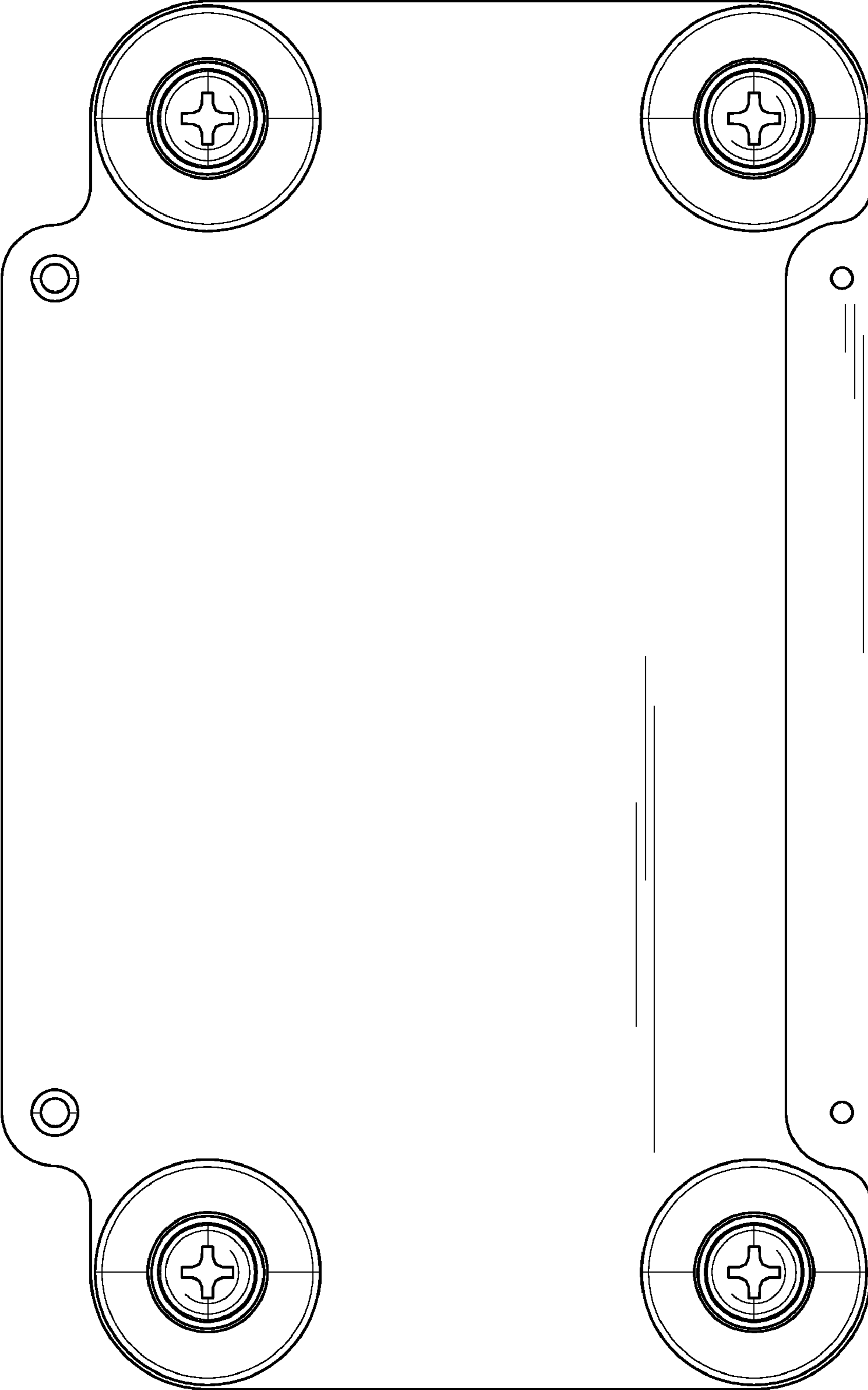


FIG.10