



US00D625725S

(12) **United States Design Patent**
Mugica et al.

(10) **Patent No.:** **US D625,725 S**
(45) **Date of Patent:** **** Oct. 19, 2010**

(54) **SMART INTEGRATED BIOGRAPHIC AND BIOMETRIC DATA CAPTURE PORTABLE DEVICE**

(75) Inventors: **Antonio Mugica**, Caracas (VE); **Roger Pinate**, Caracas (VE); **Paul Babic**, Caracas (VE); **Jorge M. Vasquez**, Weston, FL (US); **Romano Stasi**, Weston, FL (US); **Paul Chen**, Taipei (TW); **Ernesto Vecchi**, Tomball, TX (US); **German Dorta**, Caracas (VE); **Dimas Ulacio**, Caracas (VE); **Dany Farina**, Caracas (VE); **Luis Coronel**, Caracas (VE); **Fabiola Arrivillaga**, Caracas (VE)

(73) Assignee: **Smartmatic International Corporation**, St. Michael (BB)

(**) Term: **14 Years**

(21) Appl. No.: **29/338,832**

(22) Filed: **Jun. 19, 2009**

(51) **LOC (9) Cl.** **14-02**

(52) **U.S. Cl.** **D14/383**; D14/384; D14/318

(58) **Field of Classification Search** D14/314, D14/315-327, 331, 420, 421, 424, 383-387; D18/4.1-4.4; D24/185, 186; 235/51, 54 F, 235/375, 380, 382, 382.5, 462.45, 470; 345/179; 361/679.41; 600/301; 355/64, 65, 75, 81; 382/124-126

See application file for complete search history.

(56) **References Cited**

U.S. PATENT DOCUMENTS

D332,943 S * 2/1993 Koiwa et al. D14/387
D358,583 S * 5/1995 Winkler D14/324

D410,441 S * 6/1999 Lin D14/314
D412,701 S * 8/1999 Cantu D14/424
D438,204 S * 2/2001 Winkler D14/356
6,575,904 B2 * 6/2003 Nagai et al. 600/301
6,580,948 B2 * 6/2003 Hauptert et al. 607/60
6,641,033 B2 * 11/2003 McClure et al. 235/51
6,909,597 B2 * 6/2005 Tutikawa 361/679.04
6,991,169 B2 * 1/2006 Bobba et al. 235/462.39
D551,769 S * 9/2007 Skwarek et al. D24/186
D560,280 S * 1/2008 Skwarek et al. D24/186
D584,304 S * 1/2009 Lin D14/346
2004/0118915 A1 * 6/2004 Daniel et al. 235/382.5
2004/0199428 A1 * 10/2004 Silverbrook et al. 705/16
2008/0129710 A1 * 6/2008 Kuo 345/179
2009/0008163 A1 * 1/2009 Chikazawa et al. 178/19.01

* cited by examiner

Primary Examiner—Freda S Nunn

(74) *Attorney, Agent, or Firm*—Oliff & Berridge, PLC

(57) **CLAIM**

The ornamental design for a smart integrated biographic and biometric data capture portable device, as shown and described.

DESCRIPTION

FIG. 1 is a perspective view of a smart integrated biographic and biometric data capture portable device;

FIG. 2 is a front view thereof;

FIG. 3 is a top view thereof;

FIG. 4 is a right side view thereof;

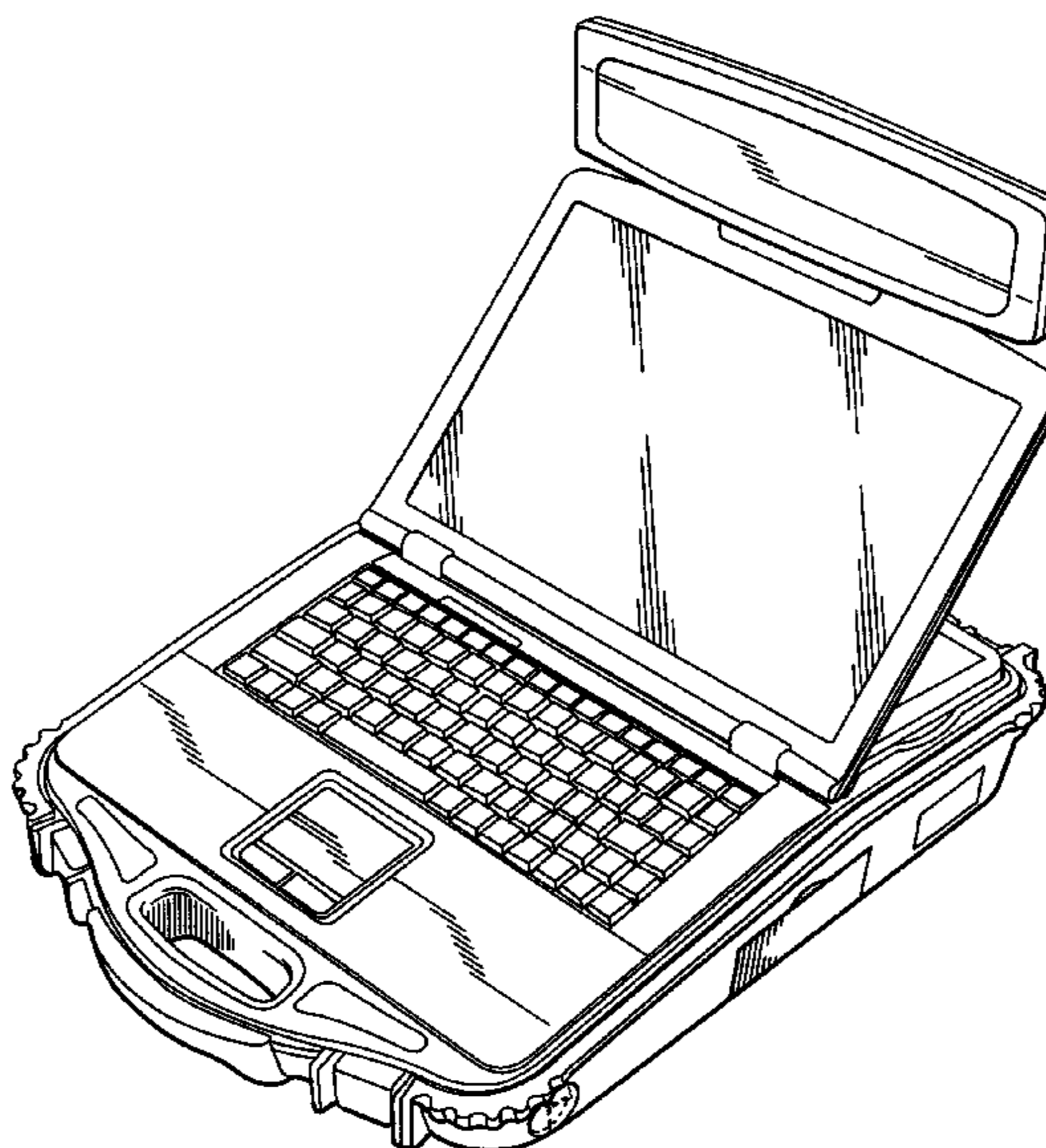
FIG. 5 is a left side view thereof;

FIG. 6 is a rear view thereof; and,

FIG. 7 is a bottom view thereof.

The broken lines depict environmental subject matter only and form no part of the claimed design.

1 Claim, 7 Drawing Sheets



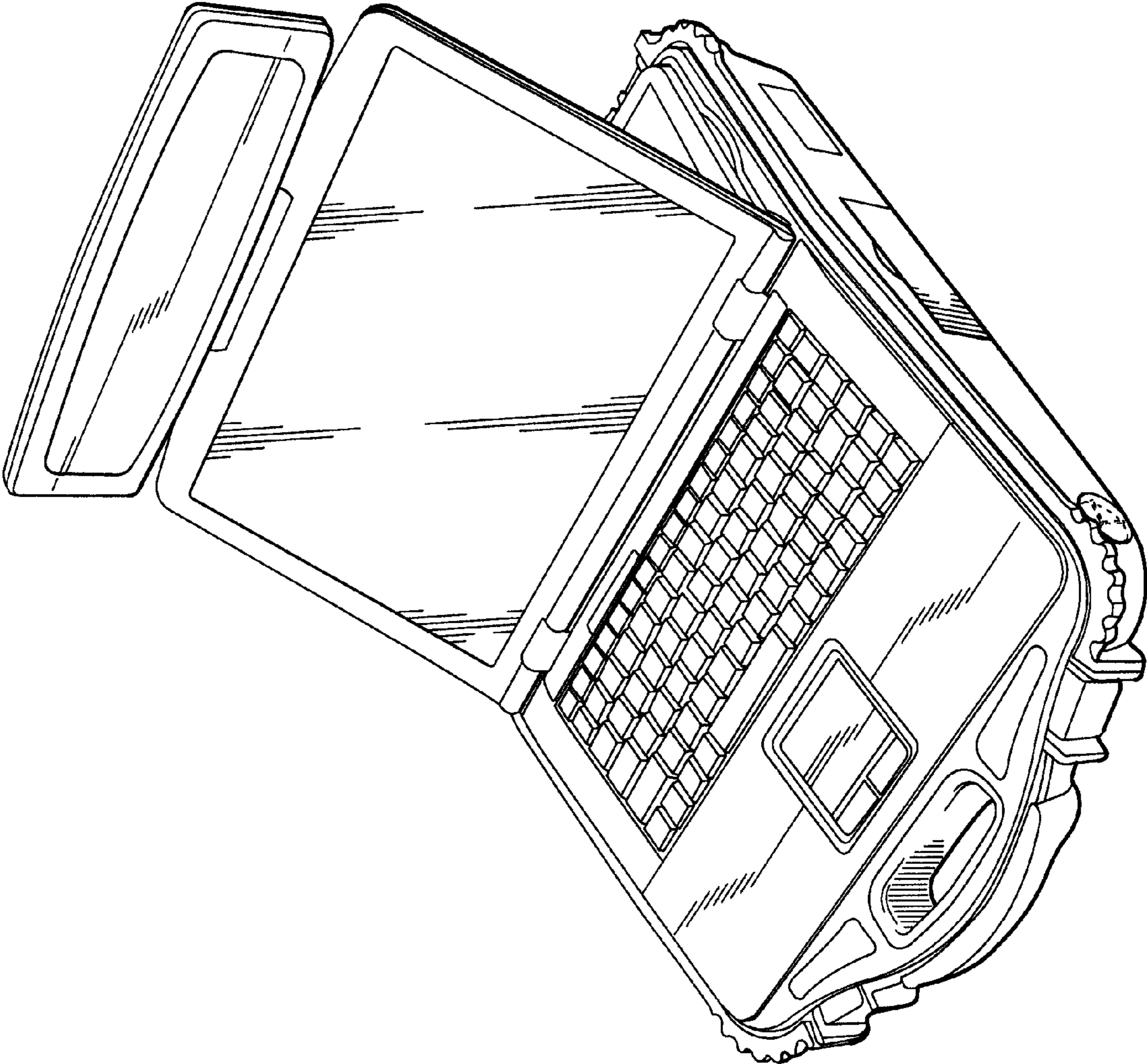


FIG. 1

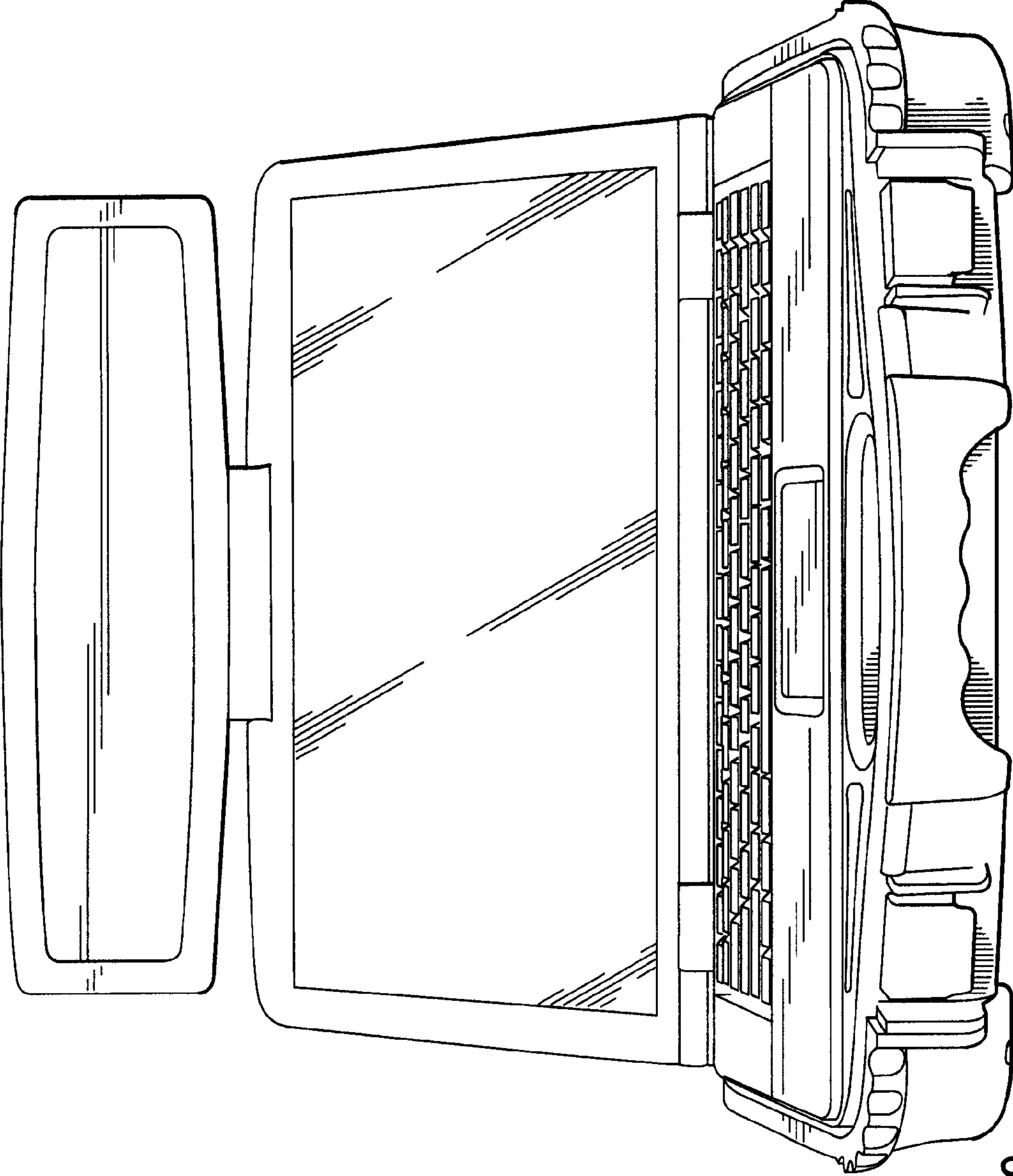


FIG. 2

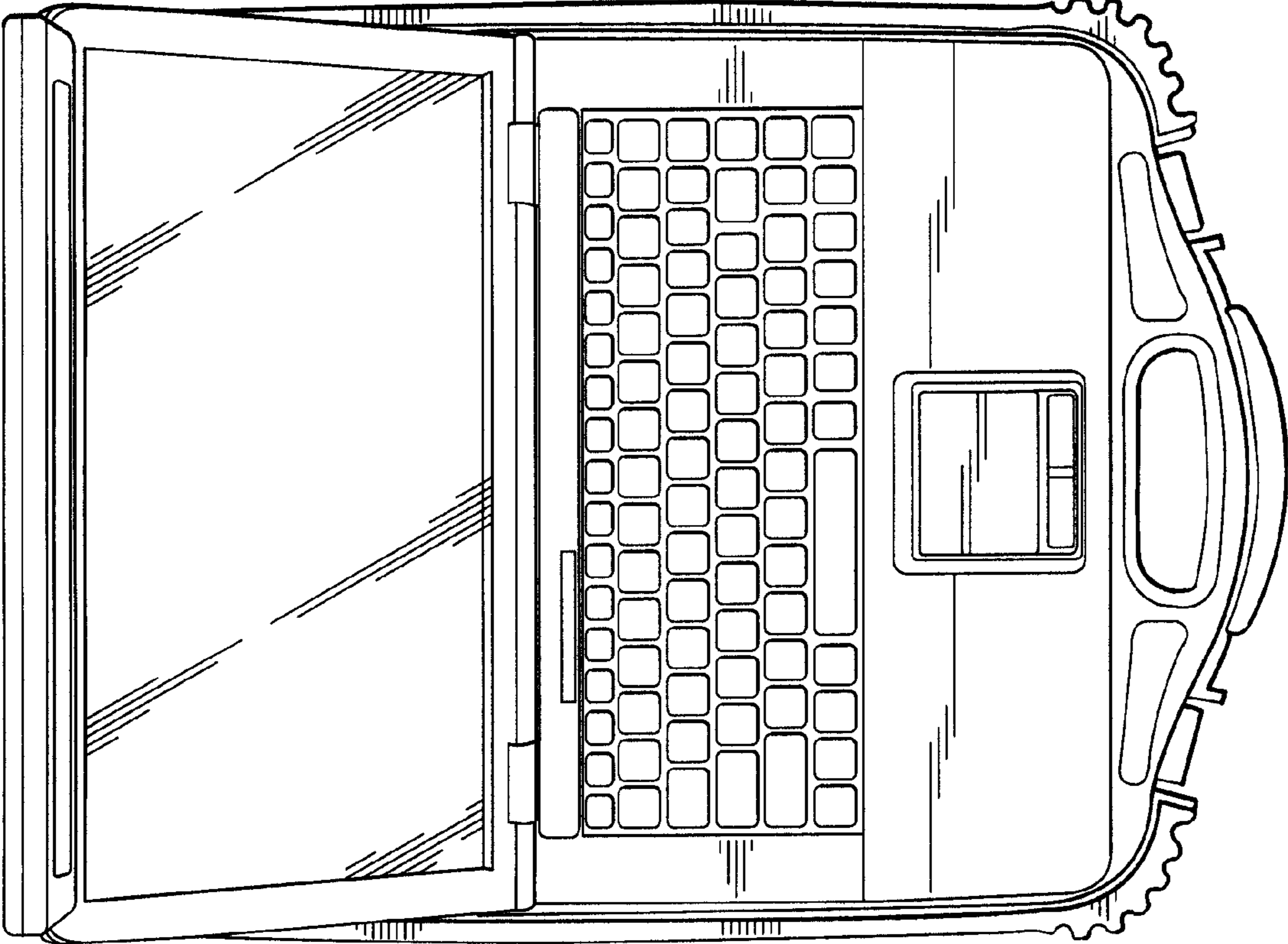


FIG. 3

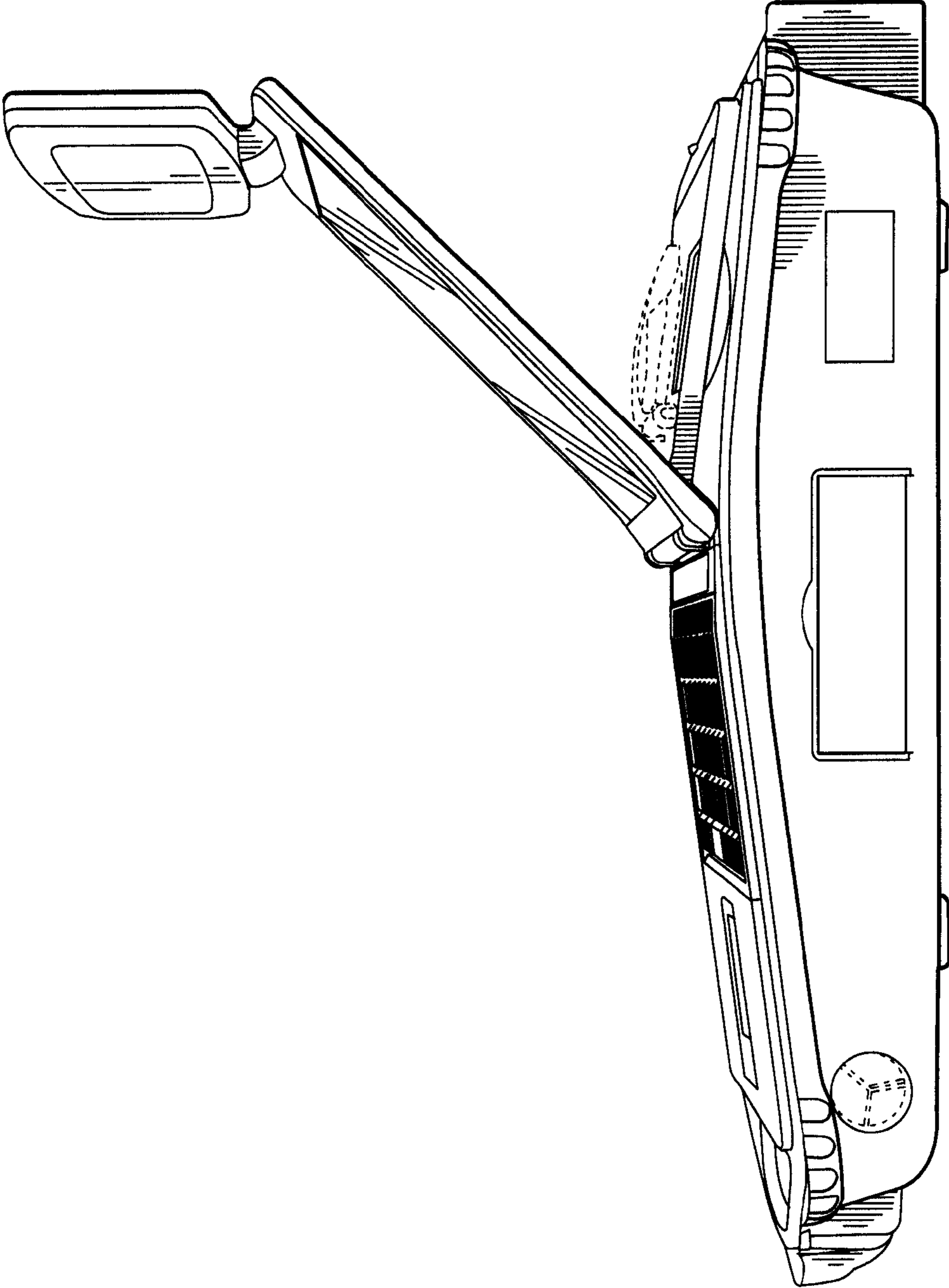


FIG. 4

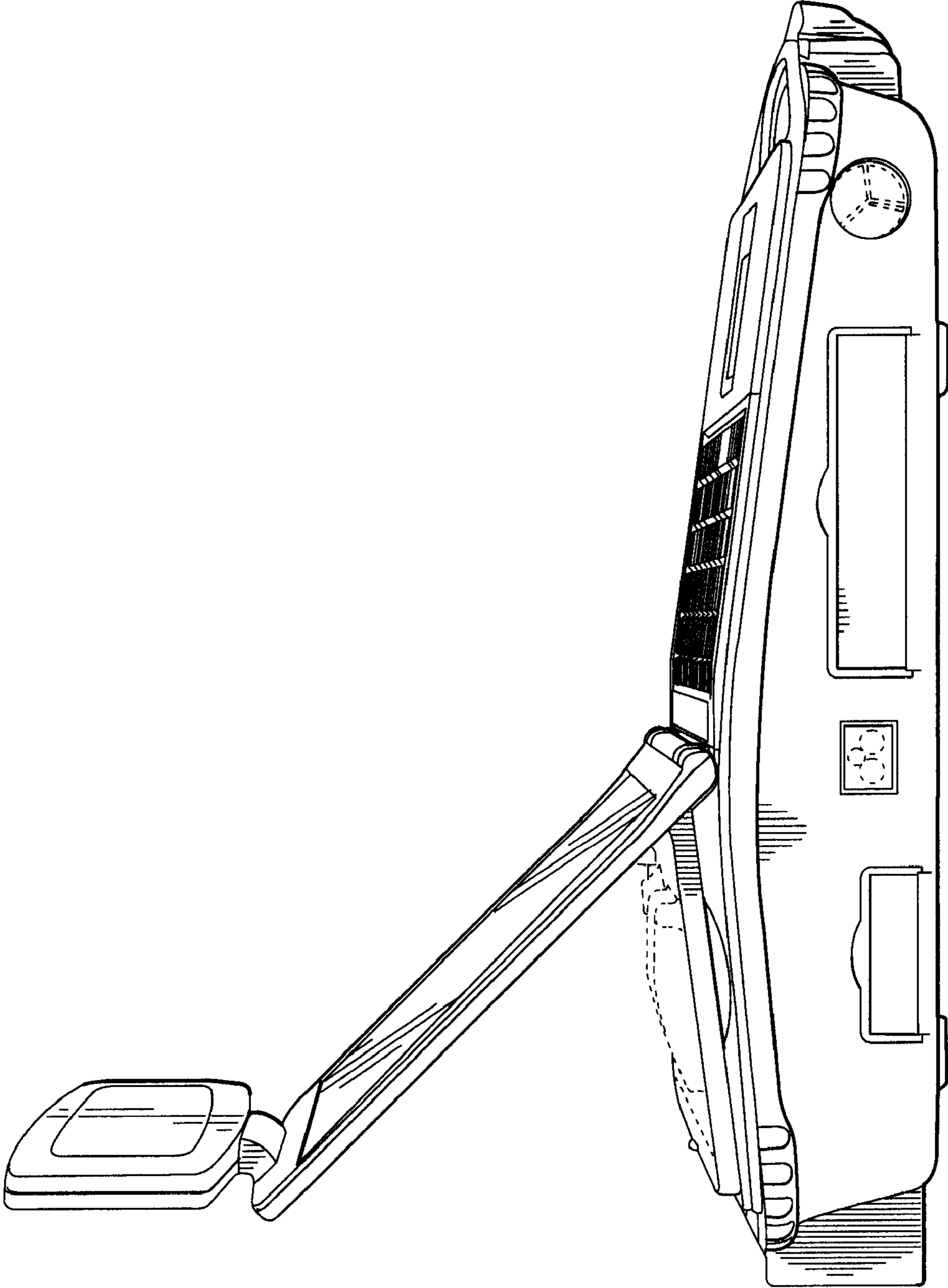


FIG. 5

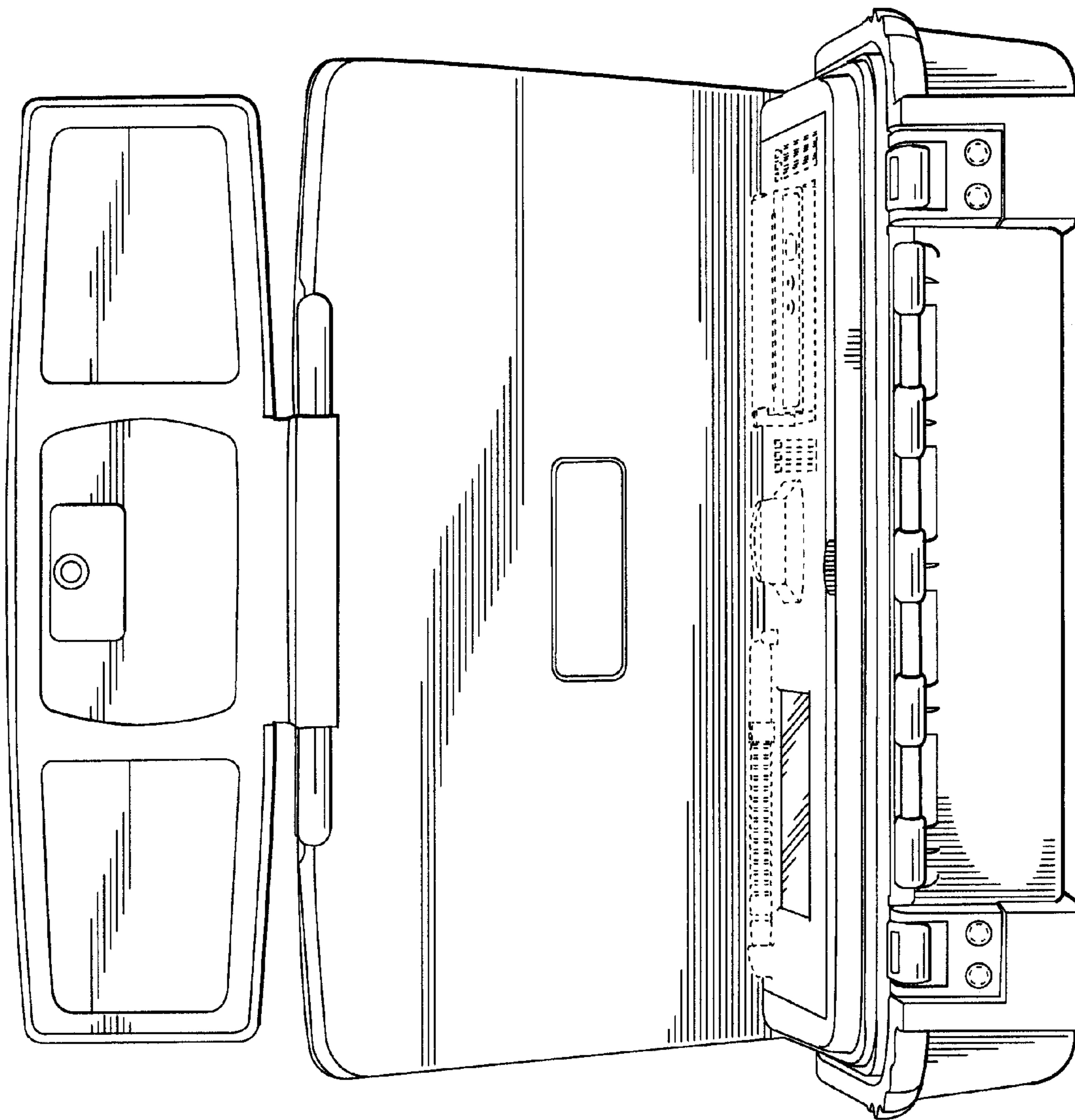


FIG. 6

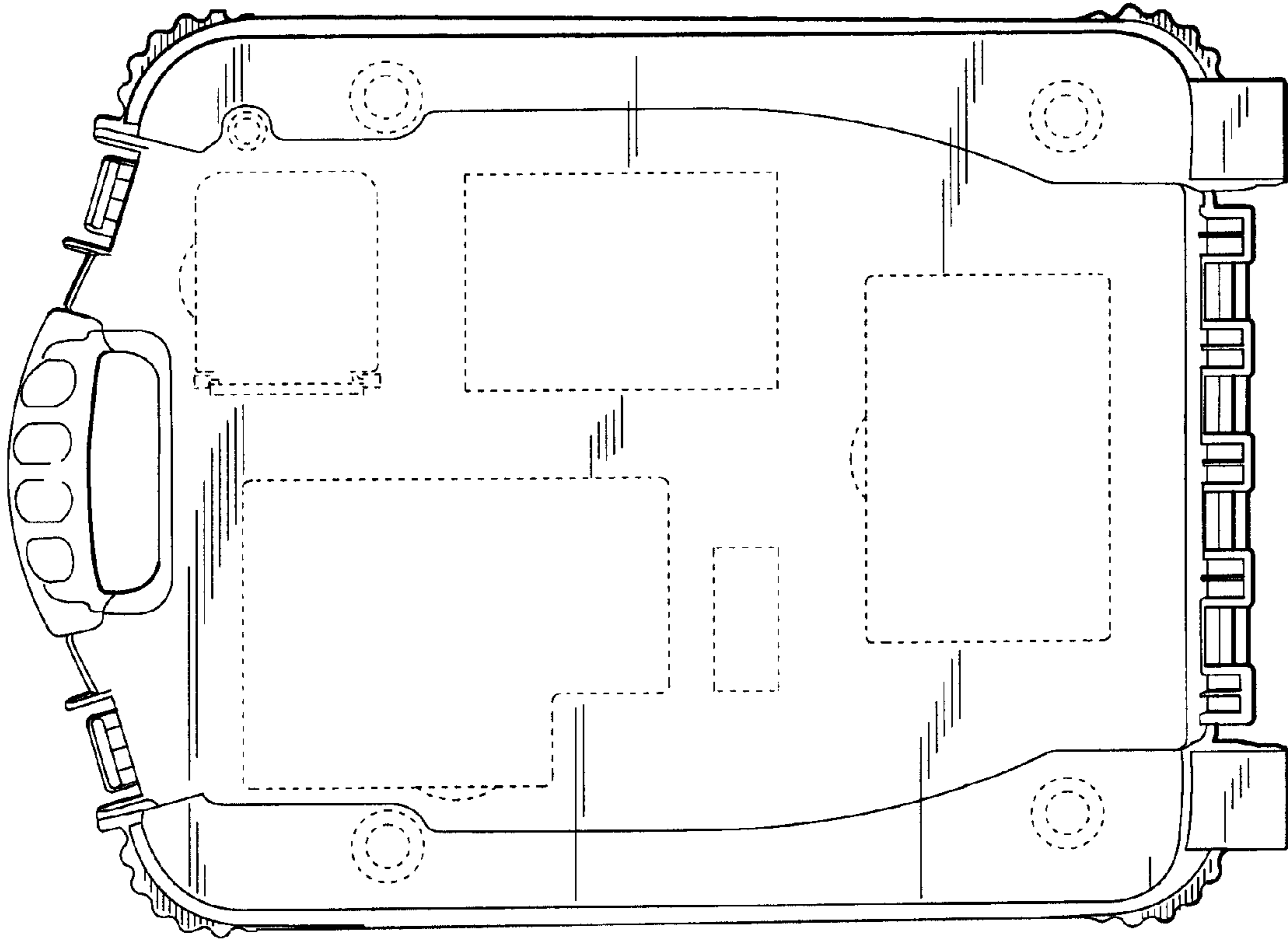


FIG. 7