

US00D625724S

(12) **United States Design Patent**  
**Chen et al.**

(10) **Patent No.:** **US D625,724 S**  
(45) **Date of Patent:** **\*\* Oct. 19, 2010**

(54) **DISPLAY**

(75) Inventors: **Mi-Chien Chen**, Taipei Hsien (TW);  
**Chun-Jen Lin**, Taipei Hsien (TW);  
**Lin-Yi Wang**, Shenzhen (CN)

(73) Assignee: **Hon Hai Precision Industry Co., Ltd.**,  
Tu-Cheng, Taipei Hsien (TW)

(\*\*) Term: **14 Years**

(21) Appl. No.: **29/353,082**

(22) Filed: **Dec. 31, 2009**

(30) **Foreign Application Priority Data**

Nov. 19, 2009 (CN) ..... 200930325730

(51) **LOC (9) Cl.** ..... **14-02**

(52) **U.S. Cl.** ..... **D14/374**

(58) **Field of Classification Search** ..... D14/371-375,  
D14/336, 337, 341, 320, 331, 125-129; 341/12,  
341/22; 345/104, 156, 168, 173, 901-905;  
348/180, 184, 325, 837; 349/1, 2, 11, 62;  
361/679.08, 679.21, 679.23, 679.26, 679.27  
See application file for complete search history.

(56) **References Cited**

**U.S. PATENT DOCUMENTS**

D387,040 S \* 12/1997 Iino ..... D14/375  
D403,670 S \* 1/1999 Liao ..... D14/375  
D424,098 S \* 5/2000 Kim ..... D18/4.5  
6,067,082 A \* 5/2000 Enmei ..... 345/174  
D439,901 S \* 4/2001 Ono et al. .... D14/375

D481,727 S \* 11/2003 Olson et al. .... D14/375  
D489,067 S \* 4/2004 Olson et al. .... D14/375  
D498,234 S \* 11/2004 Yang ..... D14/375  
D524,312 S \* 7/2006 Young ..... D14/375  
D529,901 S \* 10/2006 Ohta ..... D14/374  
D532,395 S \* 11/2006 Rashid ..... D14/126  
D533,857 S \* 12/2006 Bradley ..... D14/126  
7,398,613 B2 \* 7/2008 Liou et al. .... 40/745  
D587,712 S \* 3/2009 Park et al. .... D14/375  
7,561,415 B2 \* 7/2009 Liou et al. .... 361/679.26  
D600,689 S \* 9/2009 Jen ..... D14/341  
2002/0135974 A1 \* 9/2002 Bell et al. .... 361/681

\* cited by examiner

*Primary Examiner*—Freda S Nunn

(74) *Attorney, Agent, or Firm*—Clifford O. Chi

(57) **CLAIM**

The ornamental design for a display, as shown and described.

**DESCRIPTION**

FIG. 1 is a perspective view of a display showing my design.

FIG. 2 is a front elevational view thereof.

FIG. 3 is a rear elevational view thereof.

FIG. 4 is a left-side elevational view thereof.

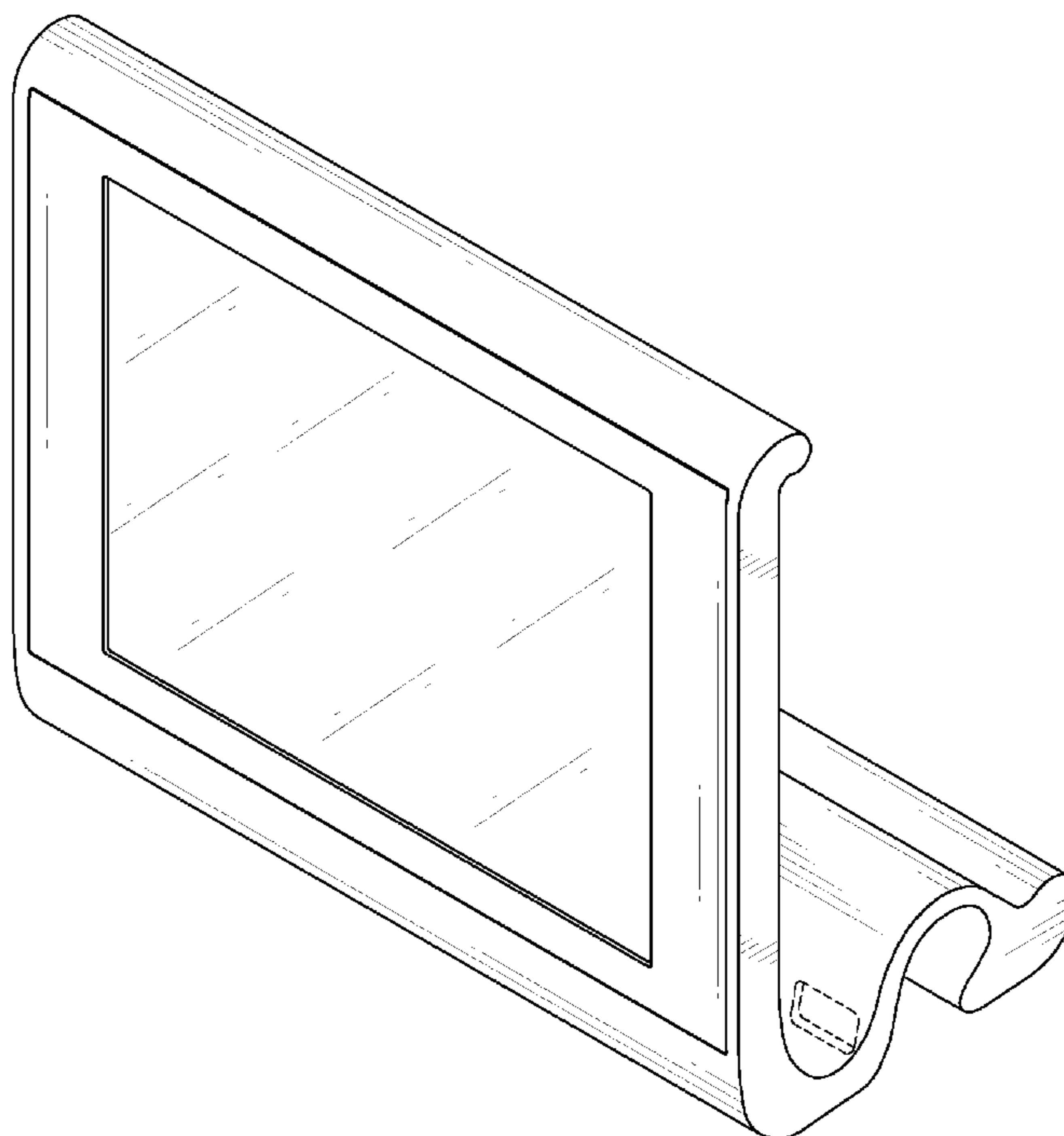
FIG. 5 is a right-side elevational view thereof.

FIG. 6 is a top plan view thereof; and,

FIG. 7 is a bottom plan view thereof.

The broken lines are for illustrative purposes only and form no part of the claimed design.

**1 Claim, 7 Drawing Sheets**



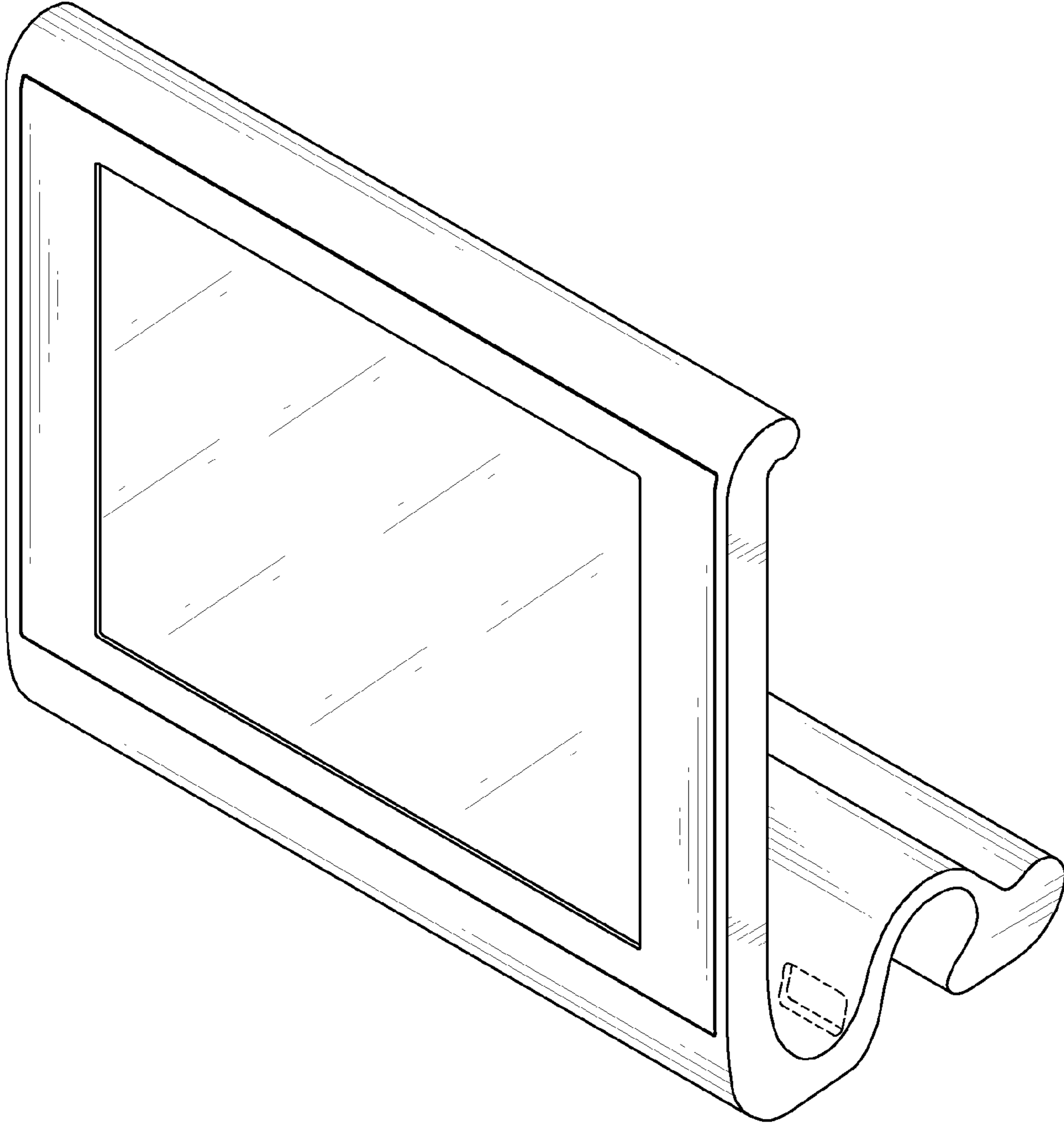


FIG. 1

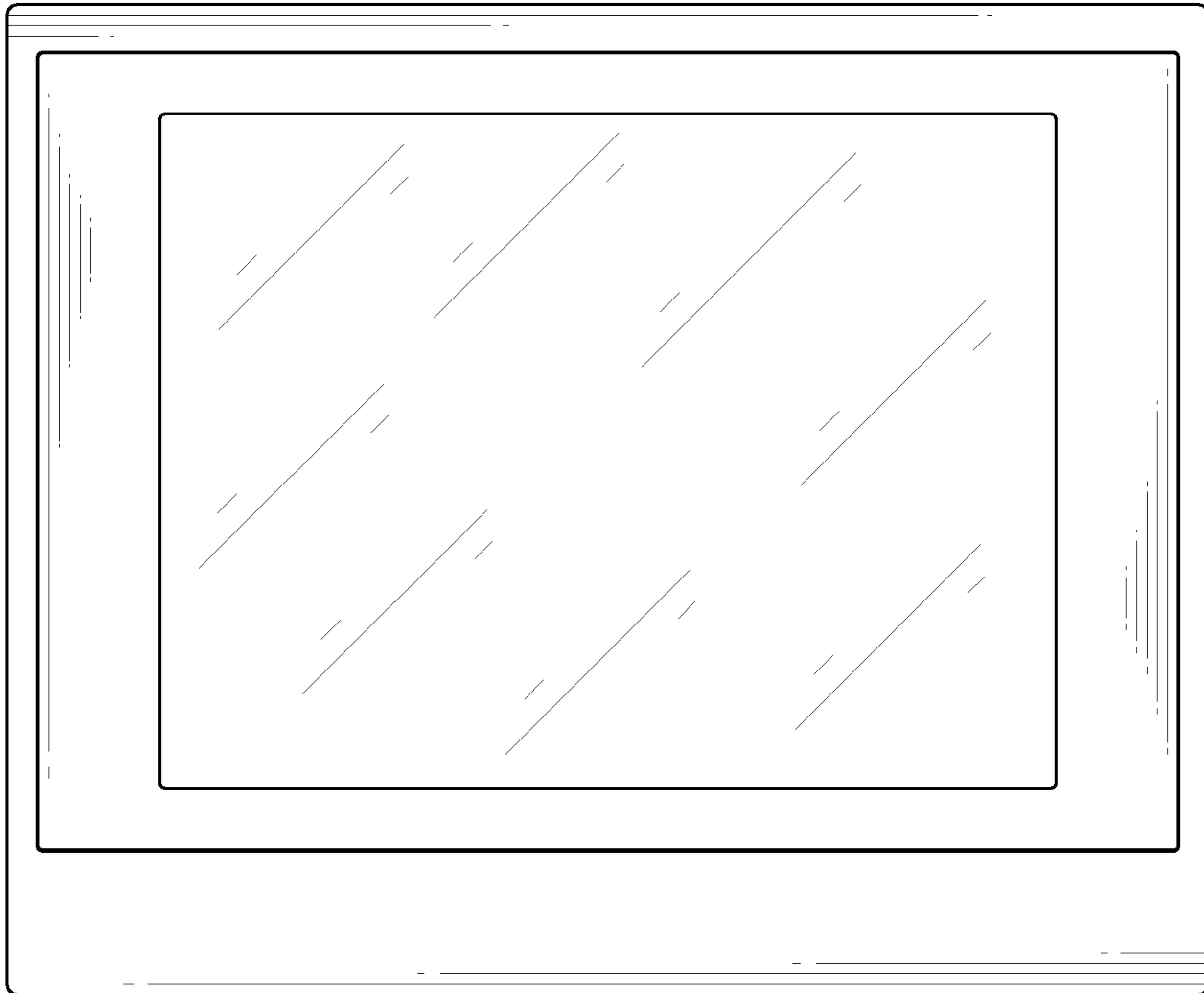


FIG. 2

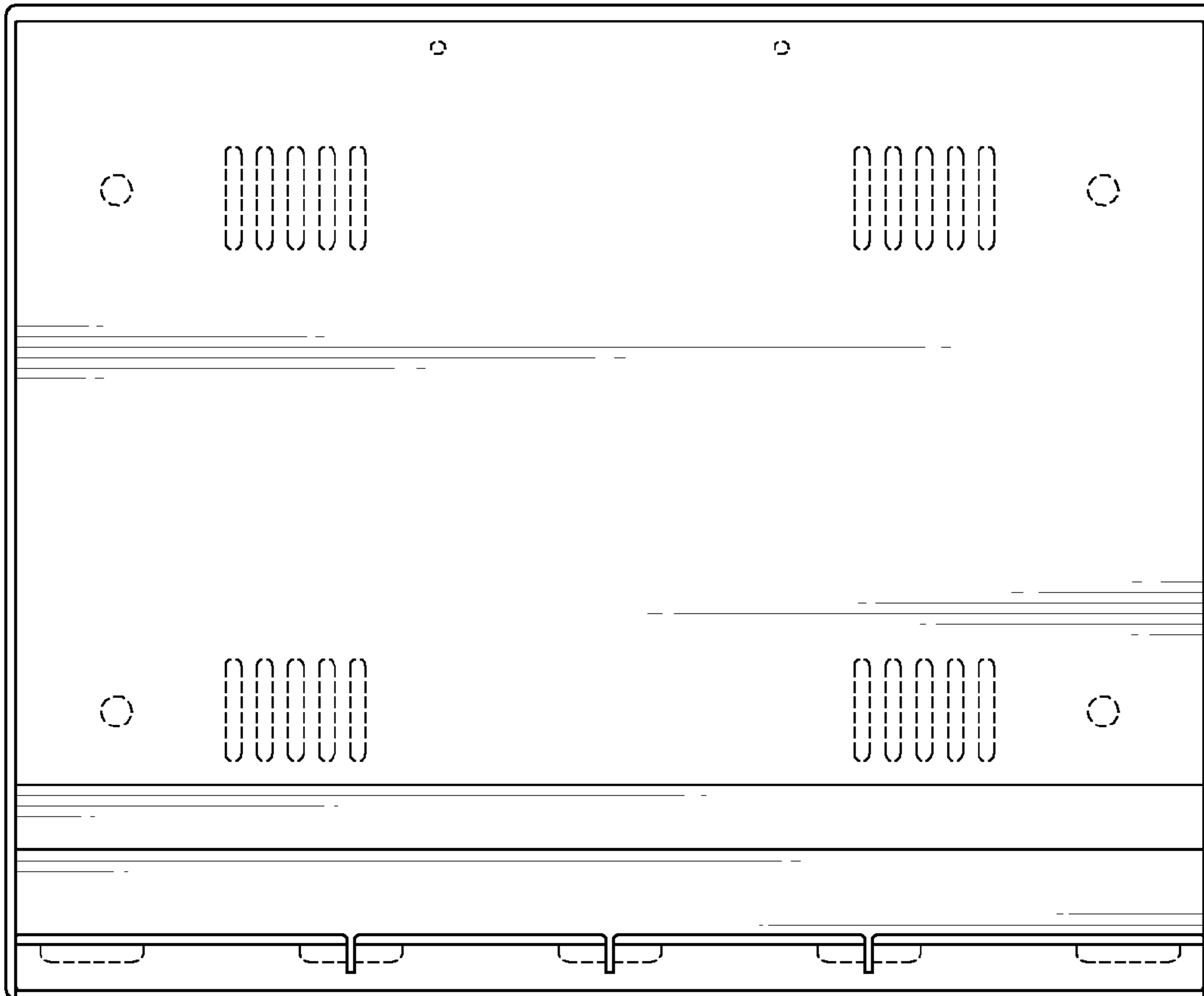


FIG. 3

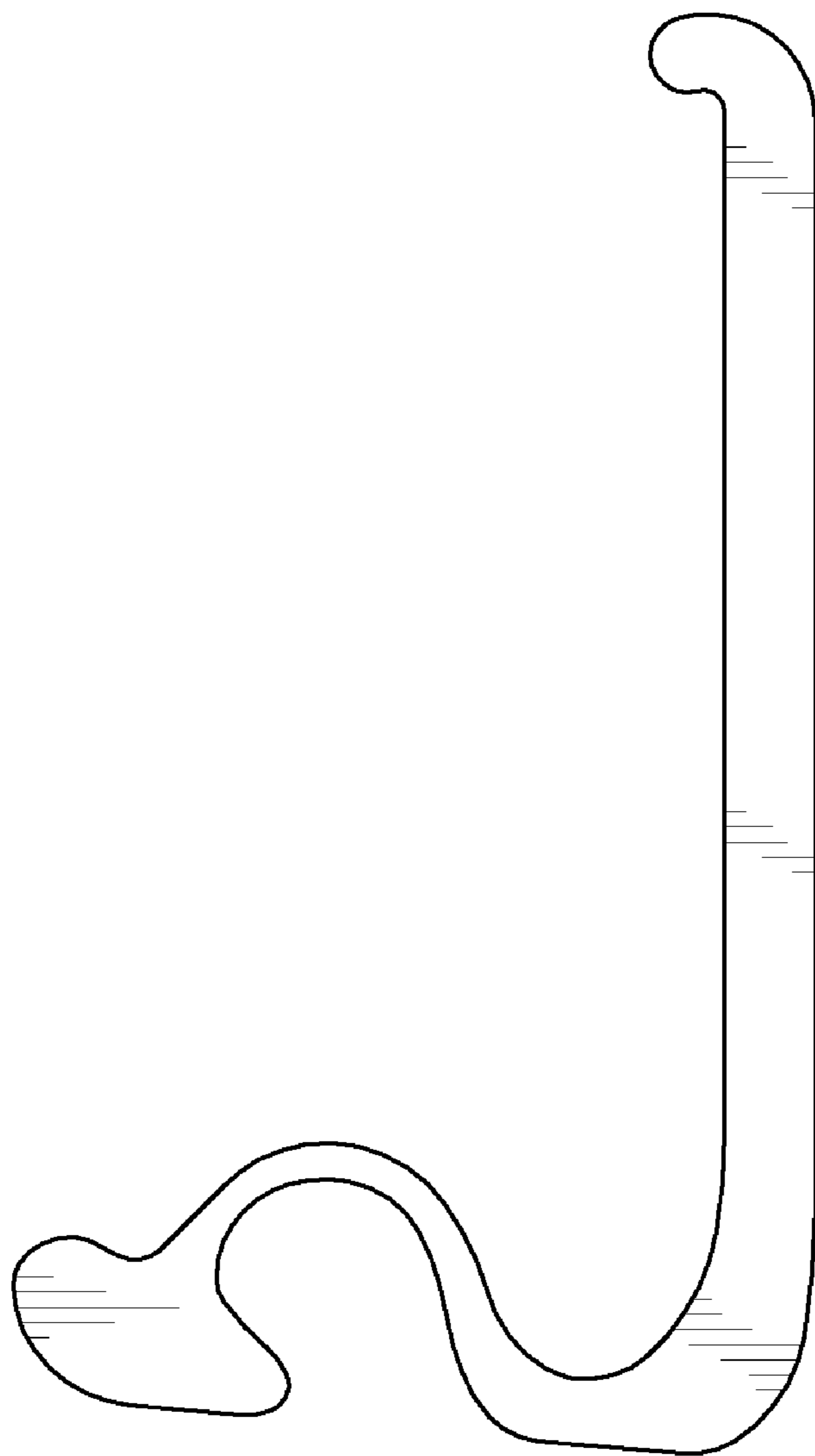


FIG. 4

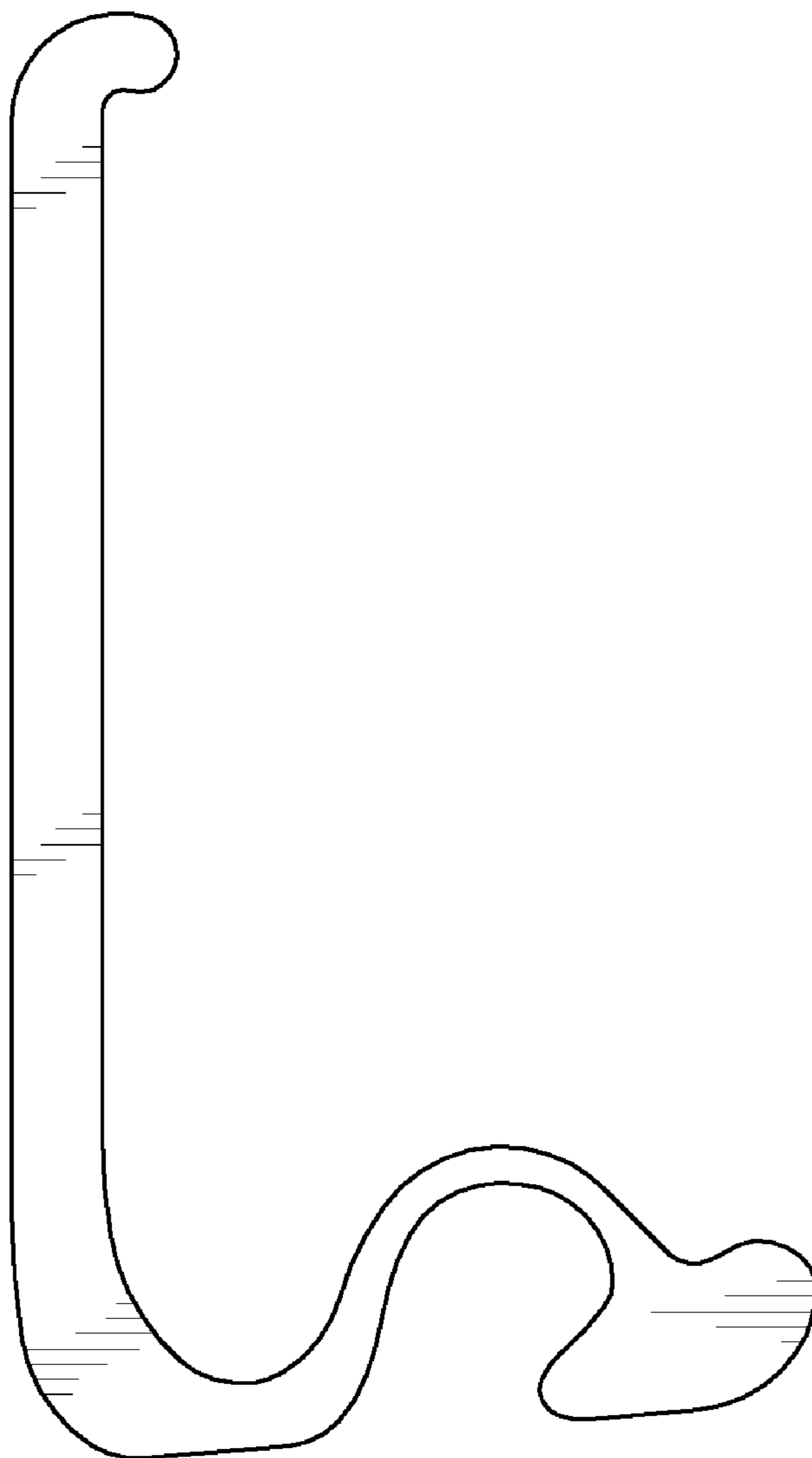


FIG. 5

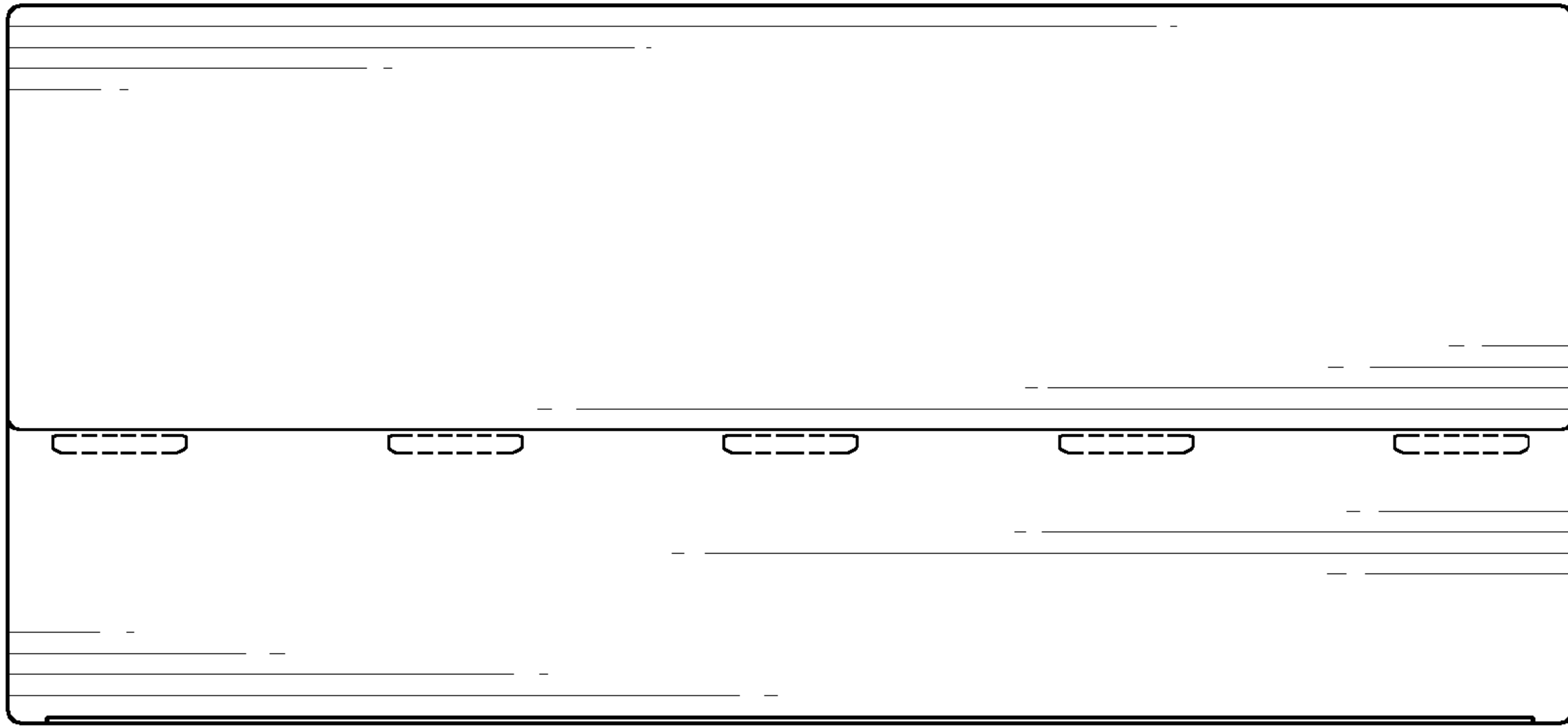


FIG. 6

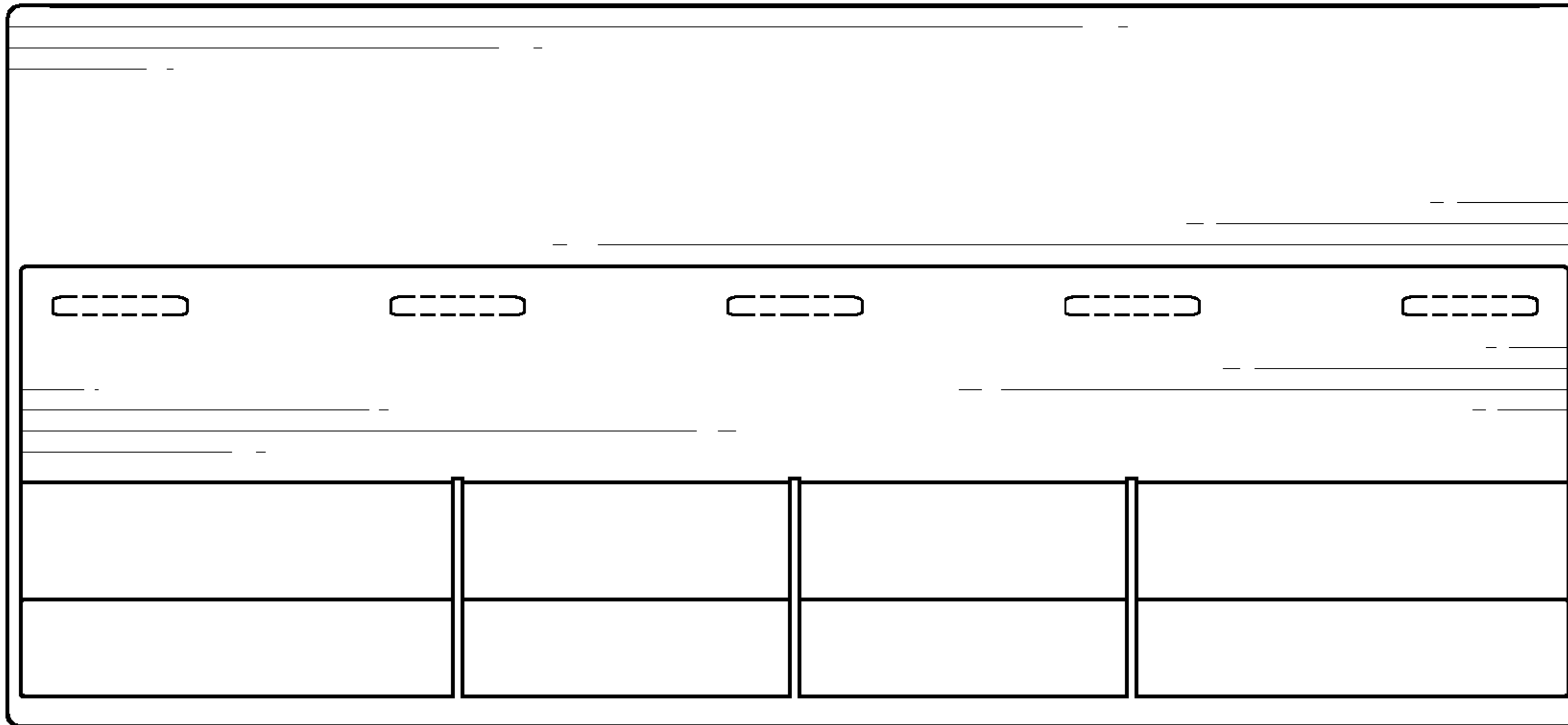


FIG. 7