



US00D625718S

(12) **United States Design Patent**
Lee et al.

(10) **Patent No.:** **US D625,718 S**
(45) **Date of Patent:** **** Oct. 19, 2010**

(54) **COMPUTER CASE**

(75) Inventors: **Guang-Yao Lee**, Taipei Hsien (TW);
Chao-Chi Chang, Taipei Hsien (TW);
Chang-Sheng Zhou, Shenzhen (CN);
Da-Wei Yang, Shenzhen (CN); **Bing-Yu Li**, Shenzhen (CN)

(73) Assignee: **Hon Hai Precision Industry Co., Ltd.**,
Tu-Cheng, Taipei Hsien (TW)

(**) Term: **14 Years**

(21) Appl. No.: **29/353,019**

(22) Filed: **Dec. 30, 2009**

(30) **Foreign Application Priority Data**

Nov. 16, 2009 (CN) 2009 3 0325009

(51) **LOC (9) Cl.** **14-02**

(52) **U.S. Cl.** **D14/349**

(58) **Field of Classification Search** D14/349-356,
D14/300, 301, 308; D13/162, 184, 199;
312/223.1-223.2; 360/99.01-99.12; 369/34.01,
369/36.01; 361/679.01, 679.6, 679.22
See application file for complete search history.

(56) **References Cited**

U.S. PATENT DOCUMENTS

D428,005 S * 7/2000 Takizawa et al. D14/349

6,549,397 B1 * 4/2003 Diaz et al. 361/679.6
D526,318 S * 8/2006 Neal et al. D14/349
D545,308 S * 6/2007 Lauffer et al. D14/349
D548,737 S * 8/2007 Dearborn et al. D14/349
D585,058 S * 1/2009 Sun et al. D14/349
D593,089 S * 5/2009 Sun et al. D14/349

* cited by examiner

Primary Examiner—Freda S Nunn

(74) *Attorney, Agent, or Firm*—Zhigang Ma

(57) **CLAIM**

The ornamental design for a computer case, as shown and described.

DESCRIPTION

FIG. 1 is a perspective view of a computer case showing our design.

FIG. 2 is a front elevational view thereof.

FIG. 3 is a left-side, elevational view thereof.

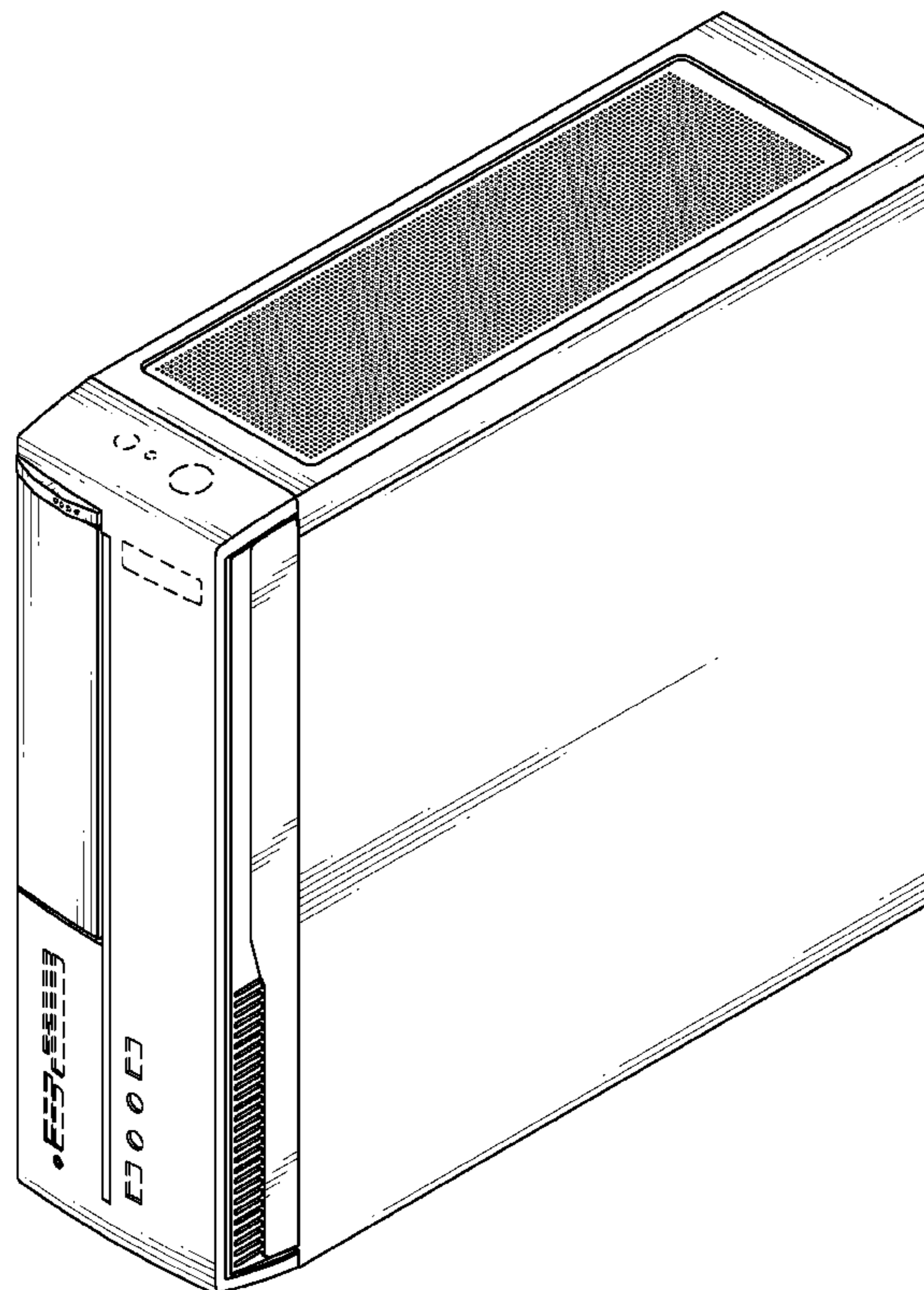
FIG. 4 is a right-side, elevational view thereof.

FIG. 5 is a top plan view thereof; and,

FIG. 6 is an enlarged view of the circled portion VI in FIG. 5.

The broken lines shown in the drawings are included for the purpose of illustrating environmental structure and forms no part of the claimed design.

1 Claim, 6 Drawing Sheets



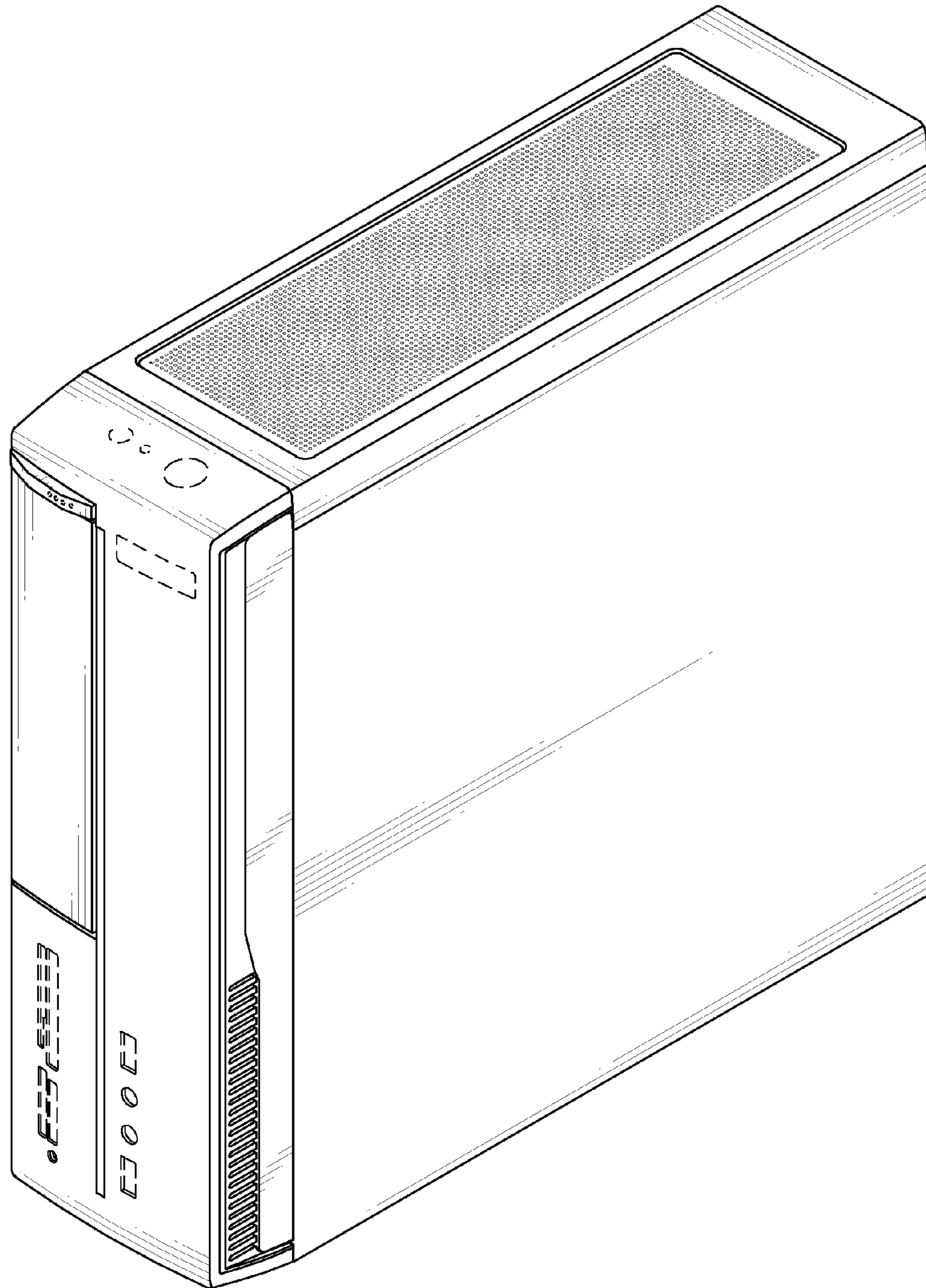


FIG. 1

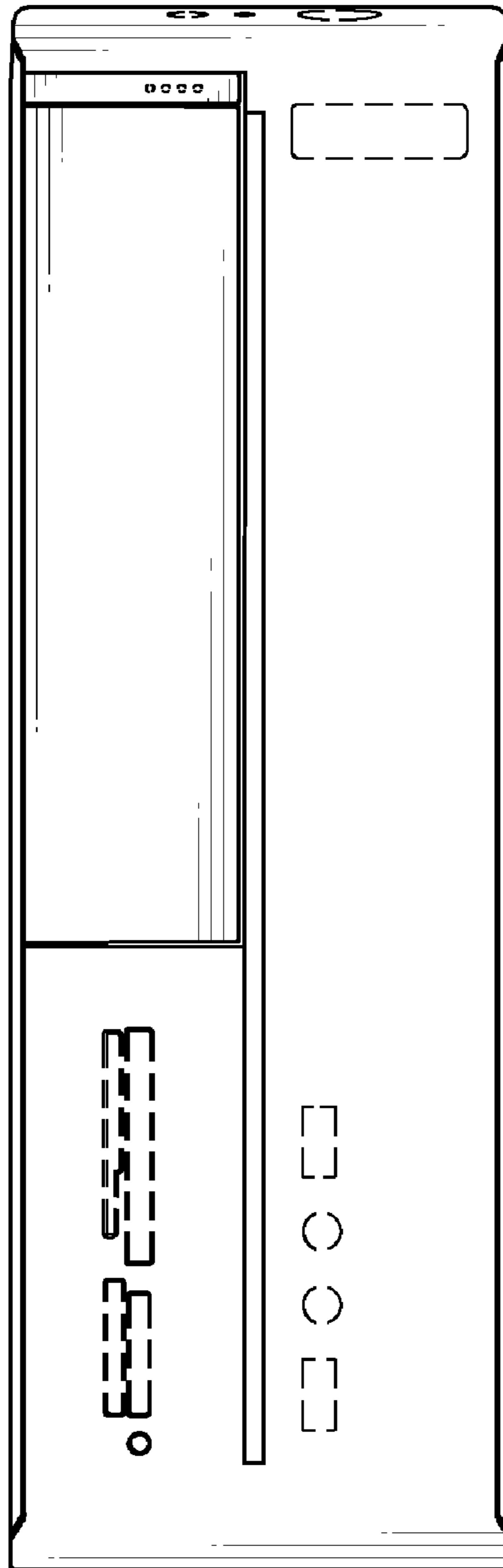


FIG. 2

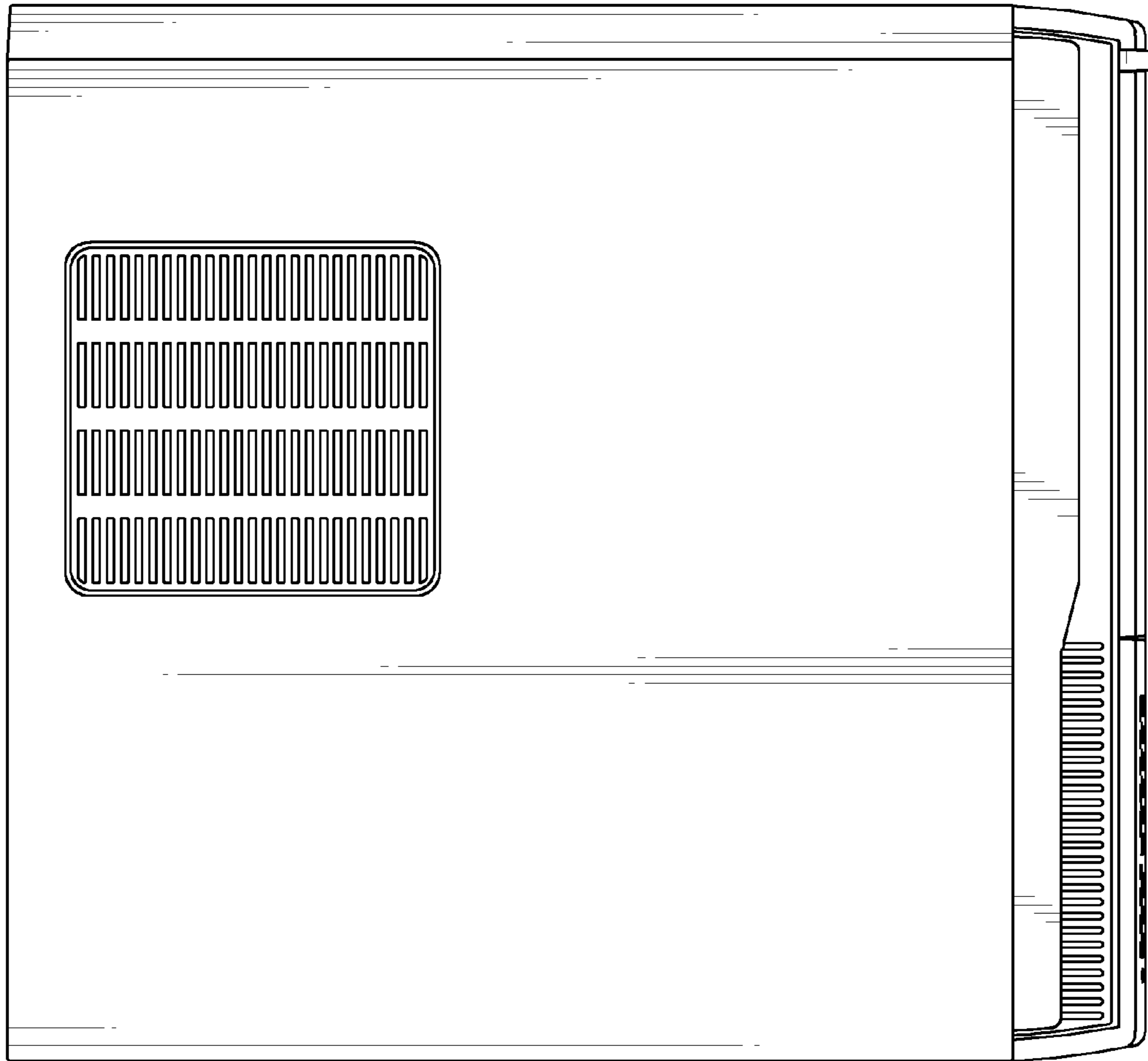


FIG. 3

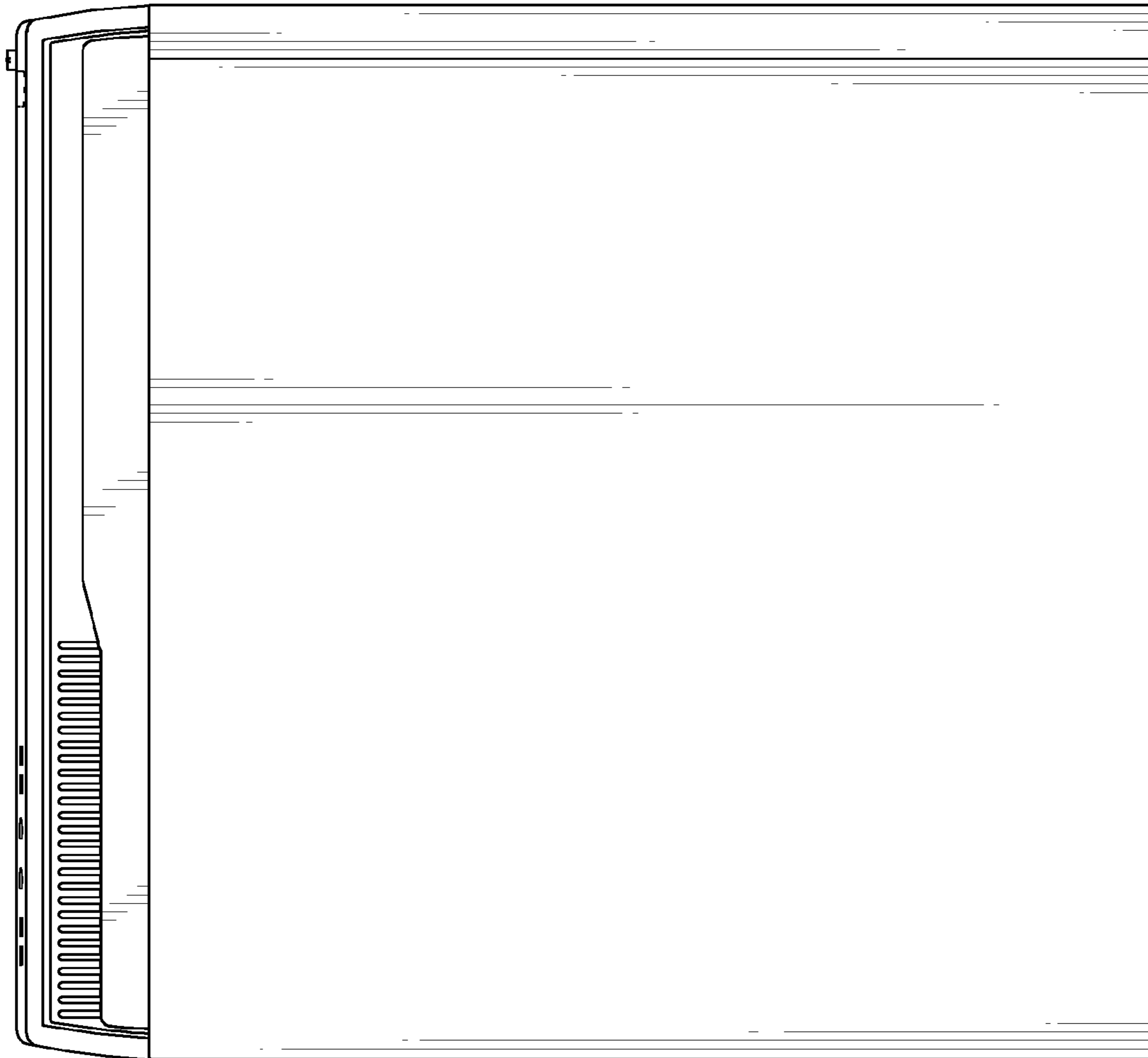


FIG. 4

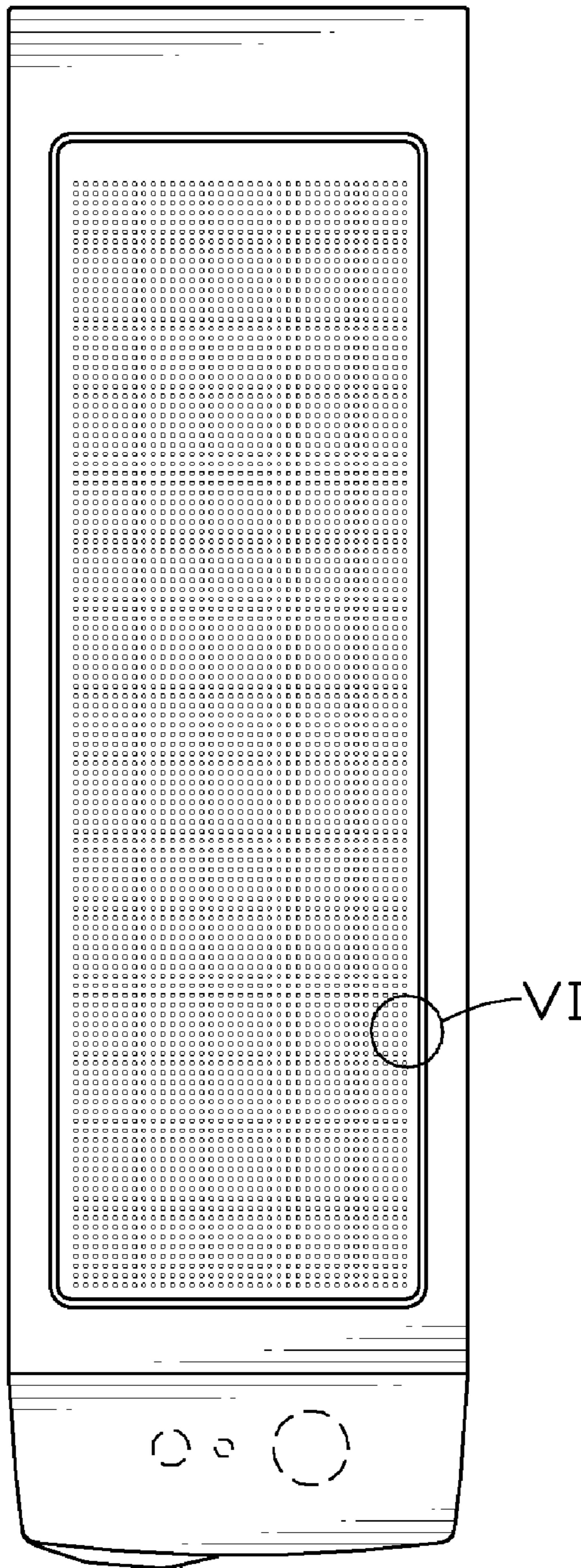


FIG. 5

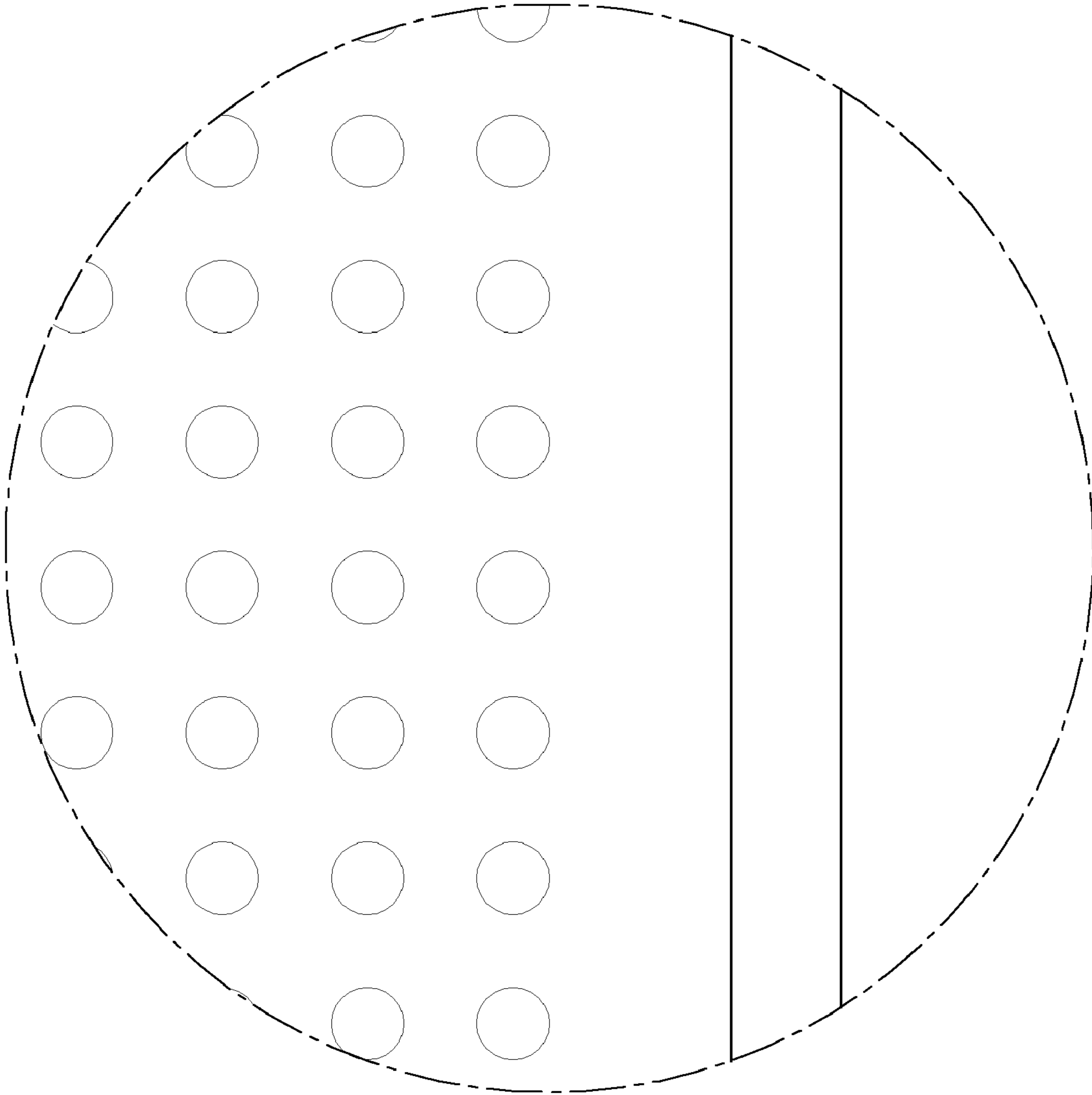


FIG. 6