



US00D625717S

(12) **United States Design Patent**
Andre et al.

(10) **Patent No.:** **US D625,717 S**
(45) **Date of Patent:** **** *Oct. 19, 2010**

(54) **ELECTRONIC DEVICE**

6,166,737 A * 12/2000 Lee et al. 715/783

(75) Inventors: **Bartley K. Andre**, Menlo Park, CA (US); **Daniel J. Coster**, San Francisco, CA (US); **Daniele De Iullis**, San Francisco, CA (US); **Evans Hankey**, San Francisco, CA (US); **Richard P. Howarth**, San Francisco, CA (US); **Jonathan P. Ive**, San Francisco, CA (US); **Steve Jobs**, Palo Alto, CA (US); **Duncan Robert Kerr**, San Francisco, CA (US); **Shin Nishibori**, Portola Valley, CA (US); **Matthew Dean Rohrbach**, San Francisco, CA (US); **Peter Russell-Clarke**, San Francisco, CA (US); **Douglas B. Satzger**, Menlo Park, CA (US); **Christopher J. Stringer**, Woodside, CA (US); **Eugene Antony Whang**, San Francisco, CA (US); **Rico Zorkendorfer**, San Francisco, CA (US)

(Continued)

OTHER PUBLICATIONS

U.S. Appl. No. 29/321,729 entitled "Computing Device" filed Jul. 22, 2008.

(Continued)

Primary Examiner—Freda S Nunn
(74) *Attorney, Agent, or Firm*—SAIDMAN DesignLaw Group

(73) Assignee: **Apple Inc.**, Cupertino, CA (US)

(*) Notice: This patent is subject to a terminal disclaimer.

(**) Term: **14 Years**

(21) Appl. No.: **29/345,429**

(22) Filed: **Oct. 15, 2009**

Related U.S. Application Data

(62) Division of application No. 29/294,500, filed on Jan. 14, 2008, now Pat. No. Des. 604,294.

(51) **LOC (9) Cl.** **14-02**

(52) **U.S. Cl.** **D14/318**

(58) **Field of Classification Search** D14/315-328, D14/455; D18/1, 2, 7, 11; 235/145 A, 145 R; 341/22, 23; 455/566; 345/168, 169, 173, 345/87; 361/679.08, 679.09, 679.26, 679.27; 715/783; 400/486, 489

See application file for complete search history.

(56) **References Cited**

U.S. PATENT DOCUMENTS

6,067,224 A * 5/2000 Nobuchi 361/679.27

(57) **CLAIM**
The ornamental design for an electronic device, as shown and described.

DESCRIPTION

FIG. 1 is a front, perspective view of a first embodiment of an electronic device showing our new design;

FIG. 2 is rear, bottom perspective view thereof;

FIG. 3 is a front view thereof;

FIG. 4 is a rear view thereof;

FIG. 5 is a left side view thereof;

FIG. 6 is a right side view thereof;

FIG. 7 is a top view thereof;

FIG. 8 is a bottom view thereof;

FIG. 9 is an additional top view thereof, with the electronic device shown in an open position;

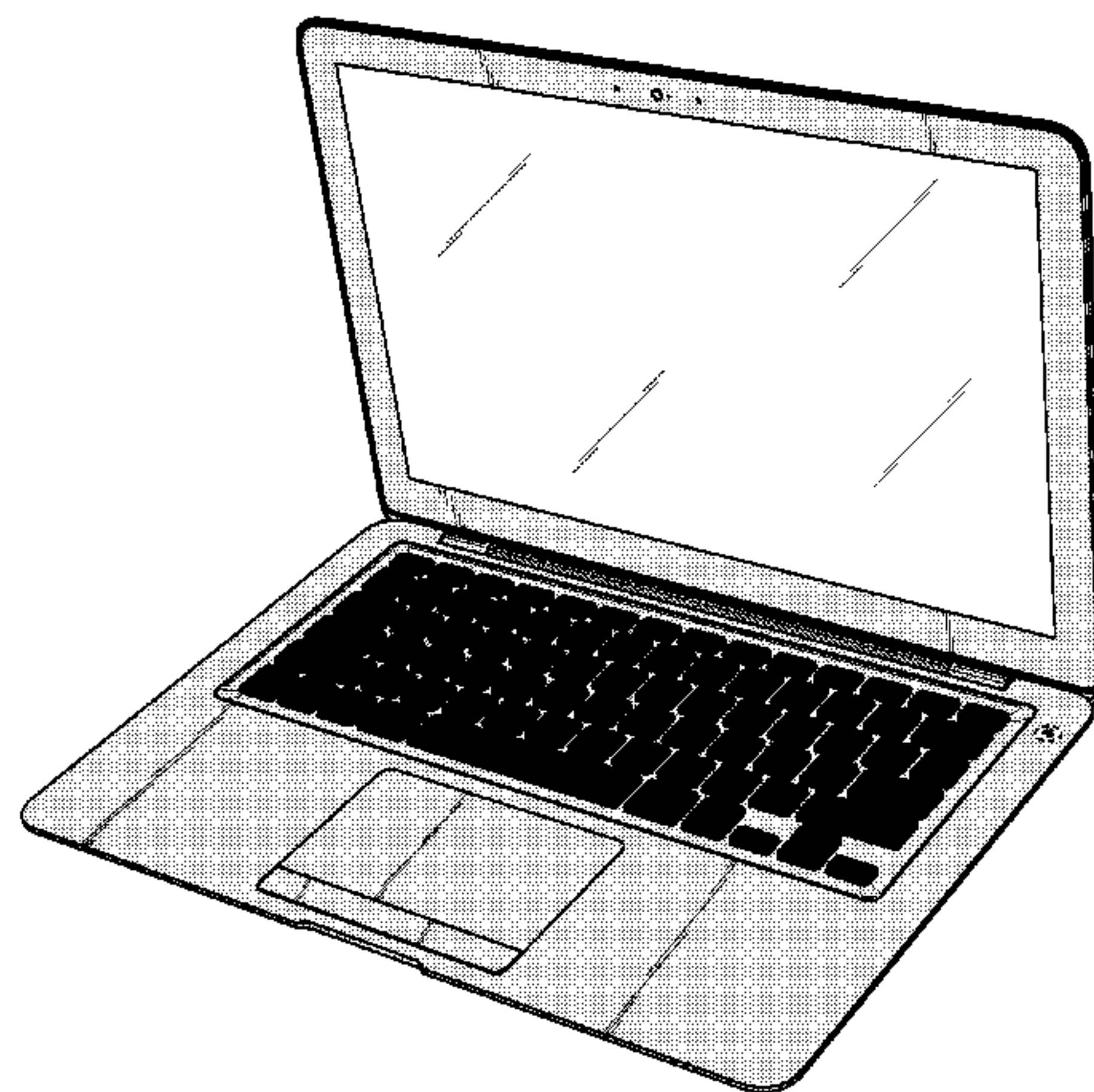
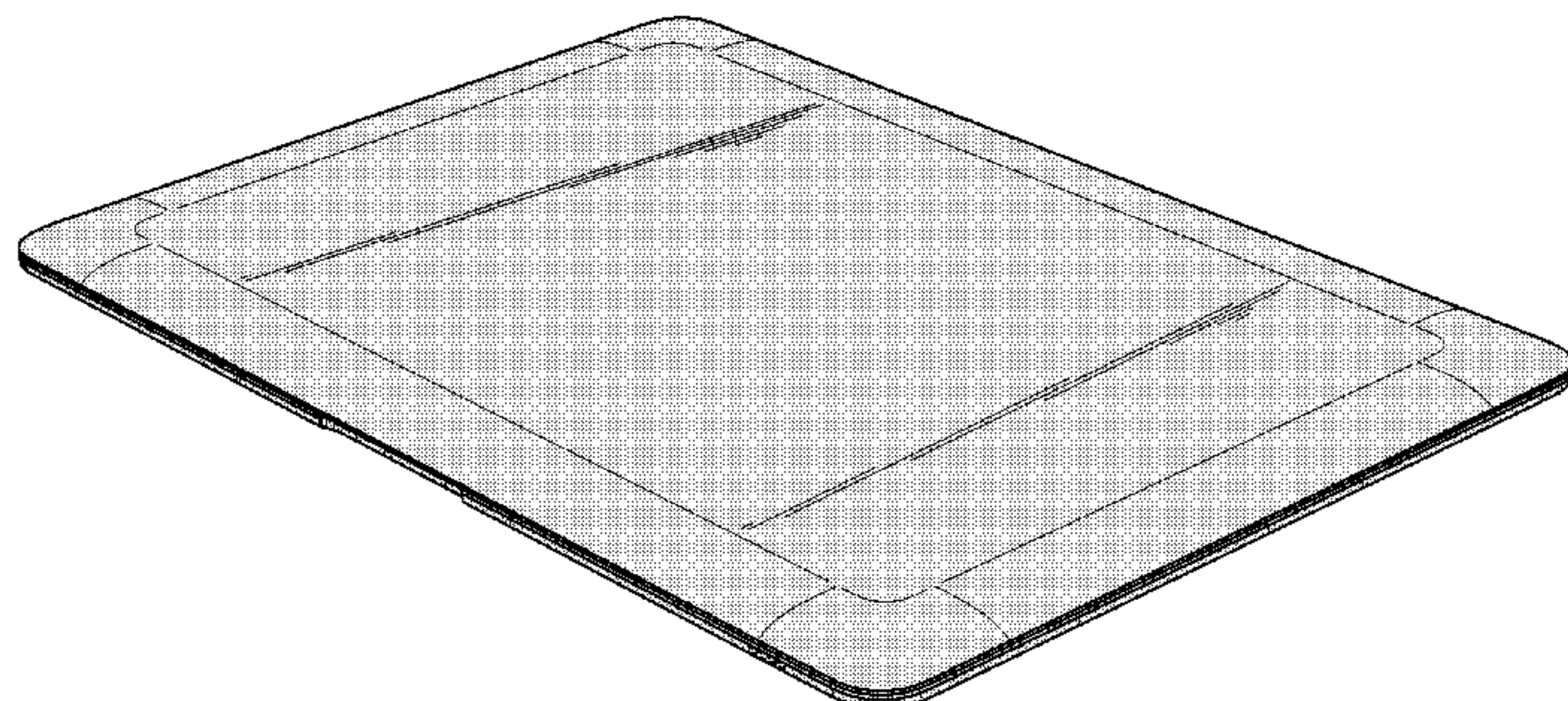
FIG. 10 is an additional top, front perspective view thereof, with the electronic device shown in an open position;

FIG. 11 is an additional bottom, rear perspective view thereof, with the electronic device shown in an open position; and,

FIG. 12 is an additional left side view thereof, with the electronic device shown in an open position.

The keys of the electronic device are black. The portion of the electronic device shown in gray shading represents a metallic-looking surface that preferably contrasts with the black portions. The broken line showing is for the purpose of illustrating environmental structure and forms no part of the claimed design.

1 Claim, 10 Drawing Sheets



US D625,717 S

Page 2

U.S. PATENT DOCUMENTS

D463,797 S 10/2002 Andre et al.
6,657,854 B2* 12/2003 Horii et al. 361/679.09
D491,177 S 6/2004 Andre et al.
D493,785 S 8/2004 Andre et al.
D513,509 S * 1/2006 Kawa D14/318
7,035,665 B2* 4/2006 Kido et al. 455/566
D527,730 S * 9/2006 Dong D14/315
D529,907 S * 10/2006 Dong D14/315
D547,310 S * 7/2007 Yoon D14/315
D556,192 S * 11/2007 Jeong et al. D14/327
D558,752 S 1/2008 Andre et al.
D558,753 S 1/2008 Andre et al.
D571,364 S 6/2008 Andre et al.

D572,246 S 7/2008 Andre et al.
D572,247 S 7/2008 Andre et al.
D574,378 S 8/2008 Andre et al.
D589,507 S 3/2009 Andre et al.
D604,294 S * 11/2009 Andre et al. D14/318
2005/0018396 A1* 1/2005 Nakajima et al. 361/683
2005/0041378 A1* 2/2005 Hamada et al. 361/680

OTHER PUBLICATIONS

U.S. Appl. No. 29/321,731 entitled "Computing Device" filed Jul. 22, 2008, as amended Oct. 15, 2009.

U.S. Appl. No. 29/354,258 entitled "Computing Device" filed Jan. 21, 2010.

* cited by examiner

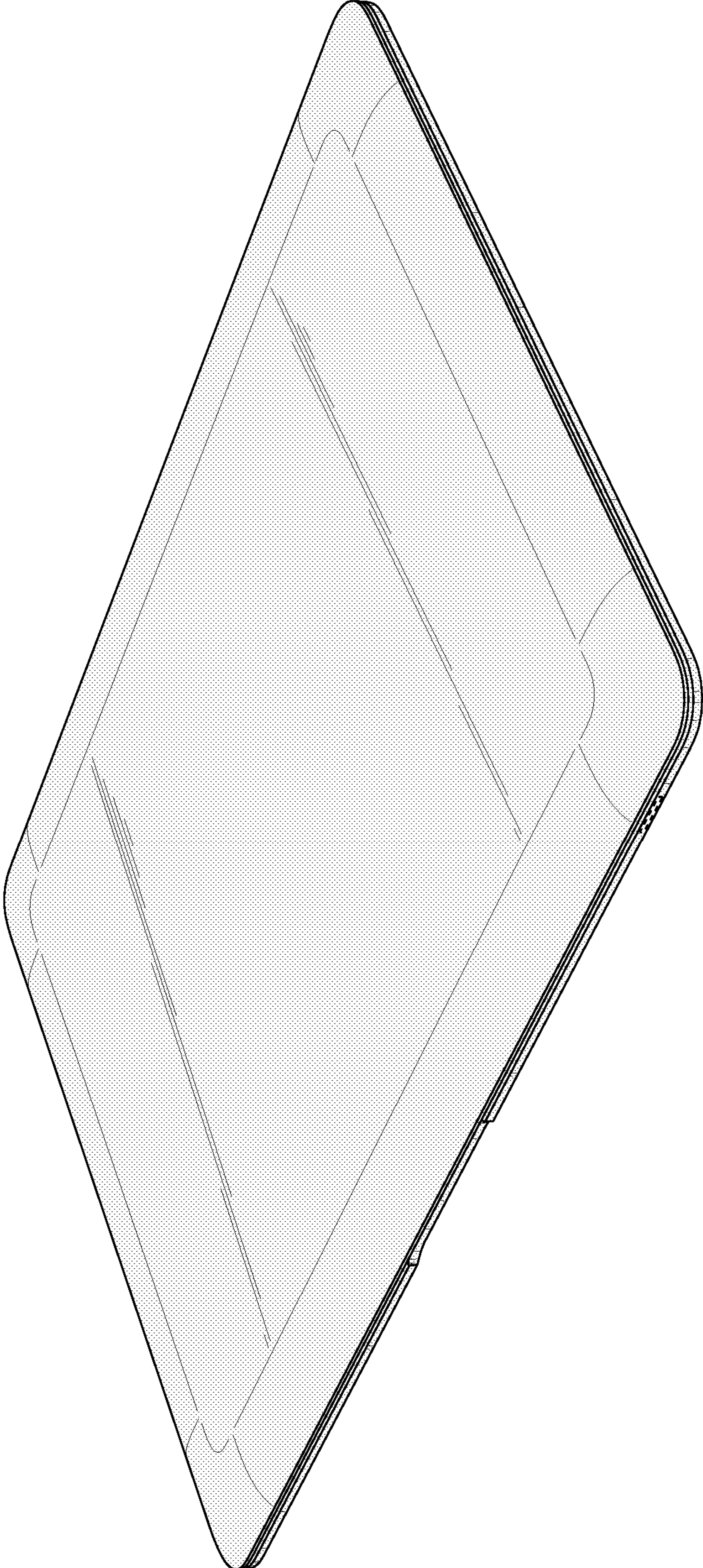


Fig. 1

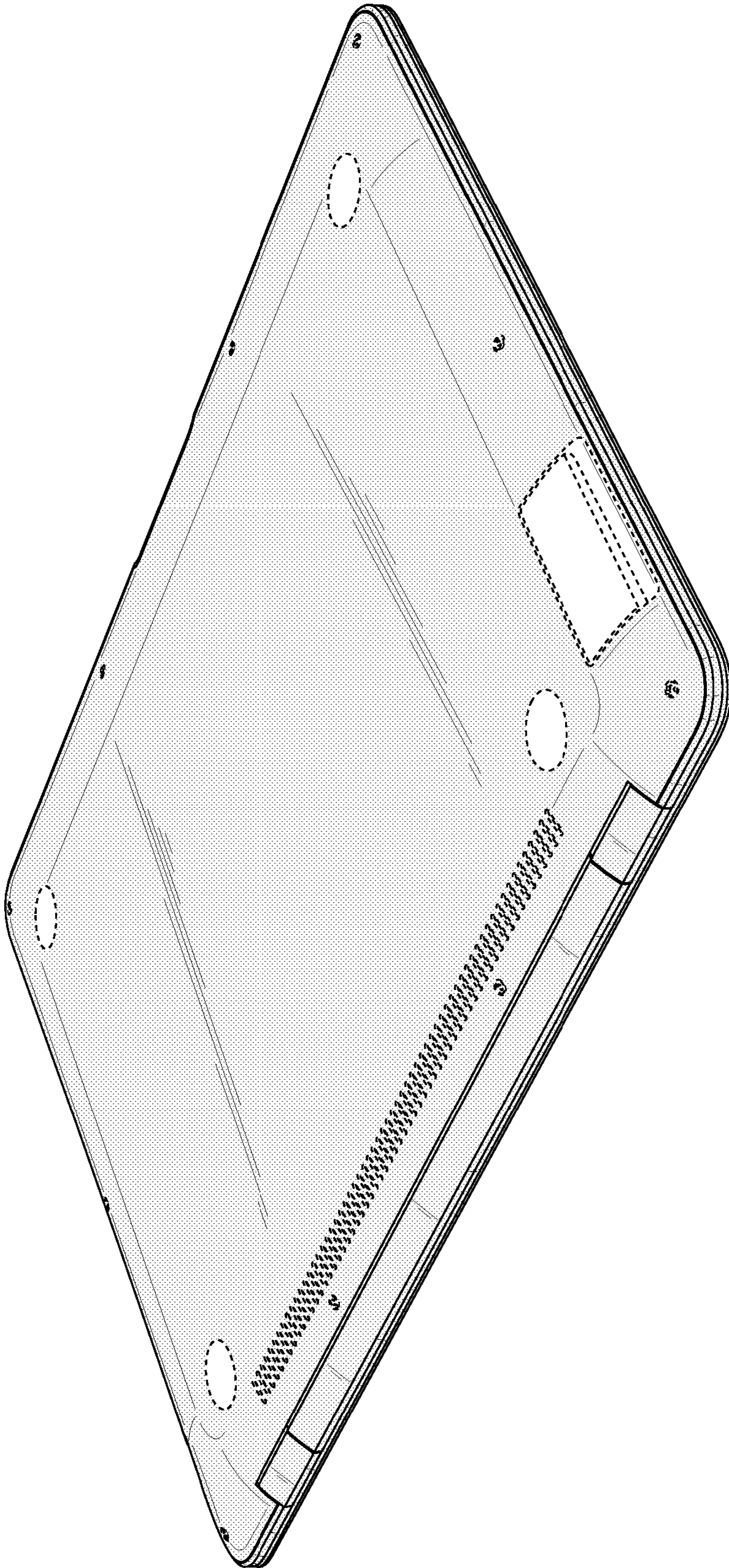


Fig. 2

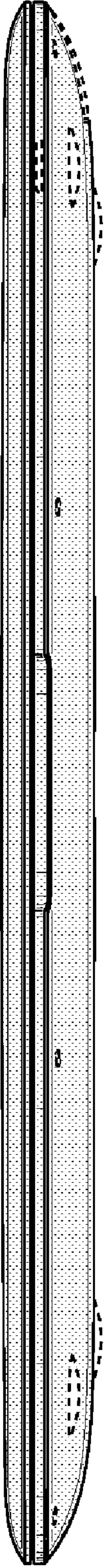


Fig. 3

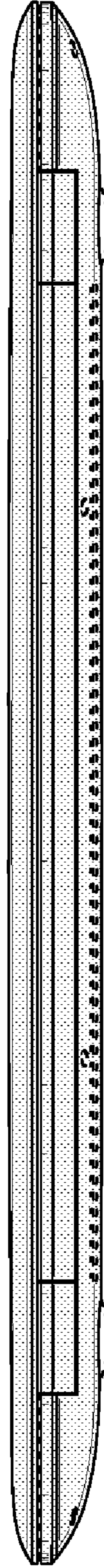


Fig. 4

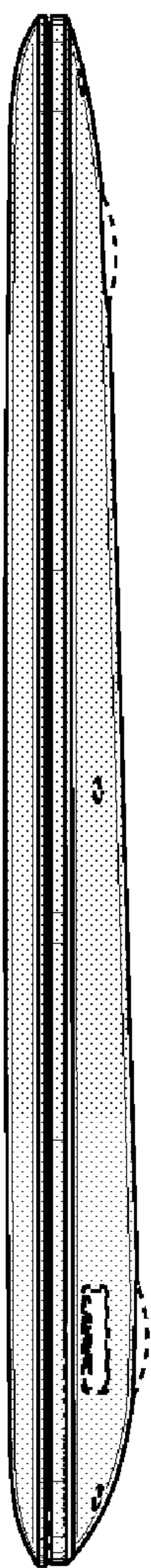


Fig. 5

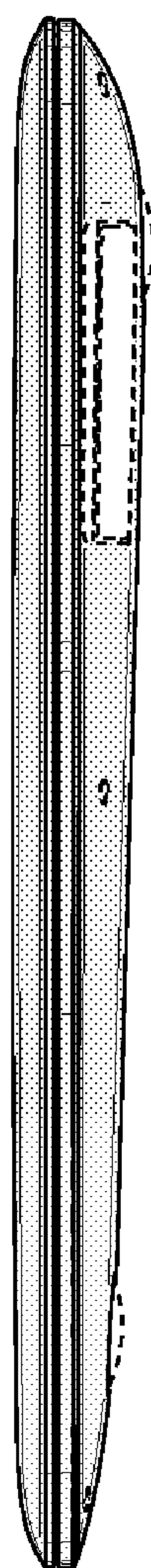


Fig. 6

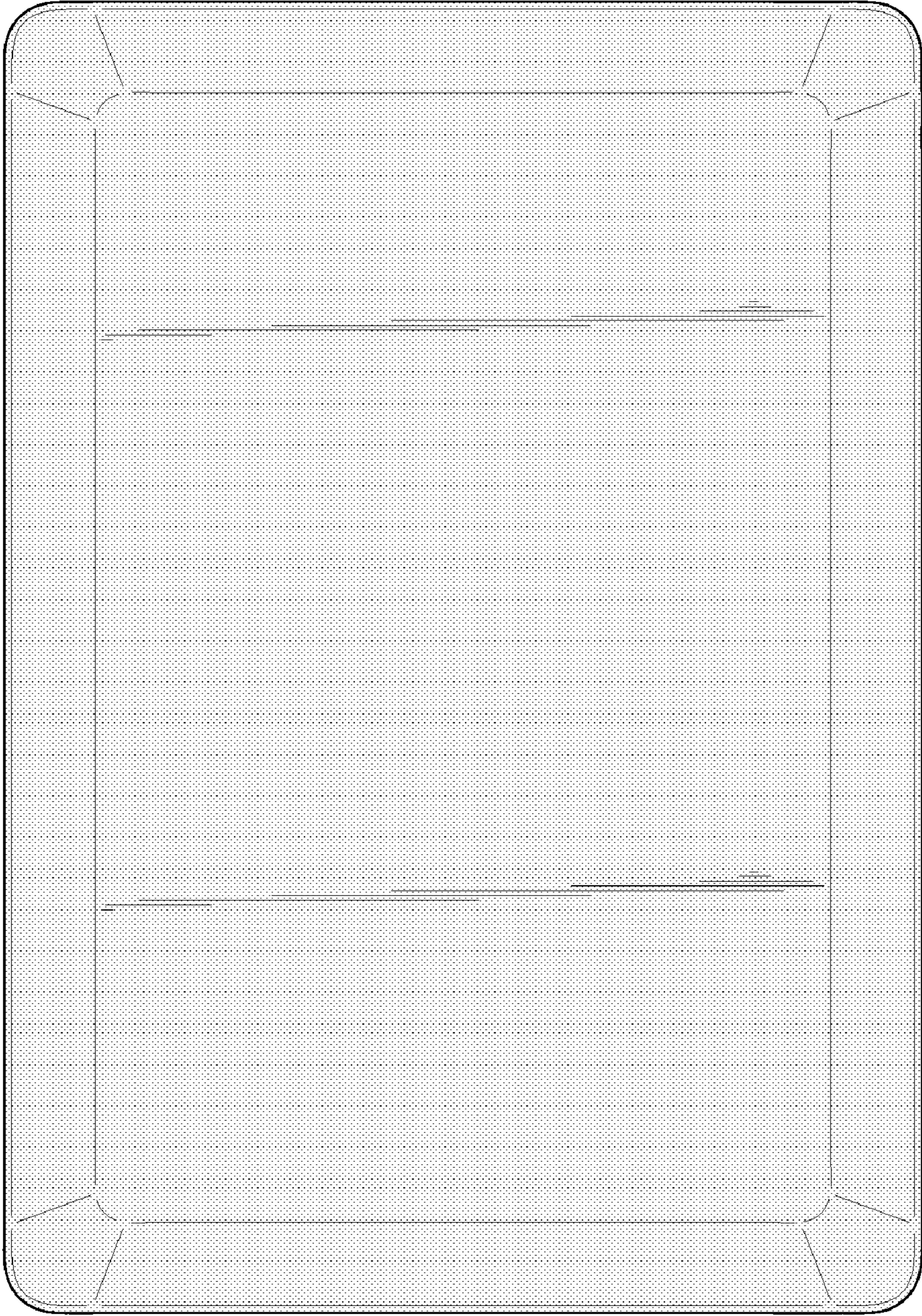


Fig. 7

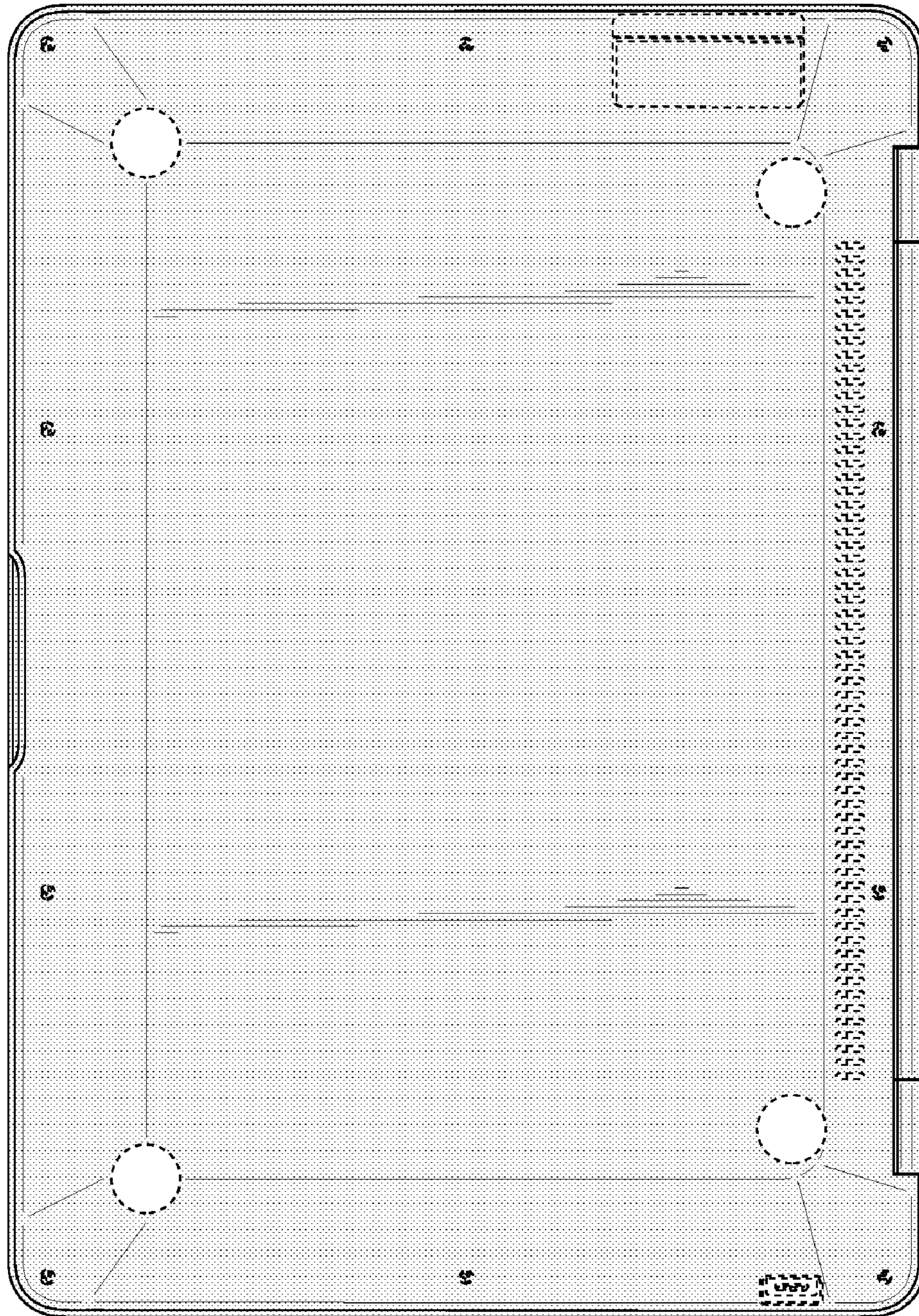


Fig. 8

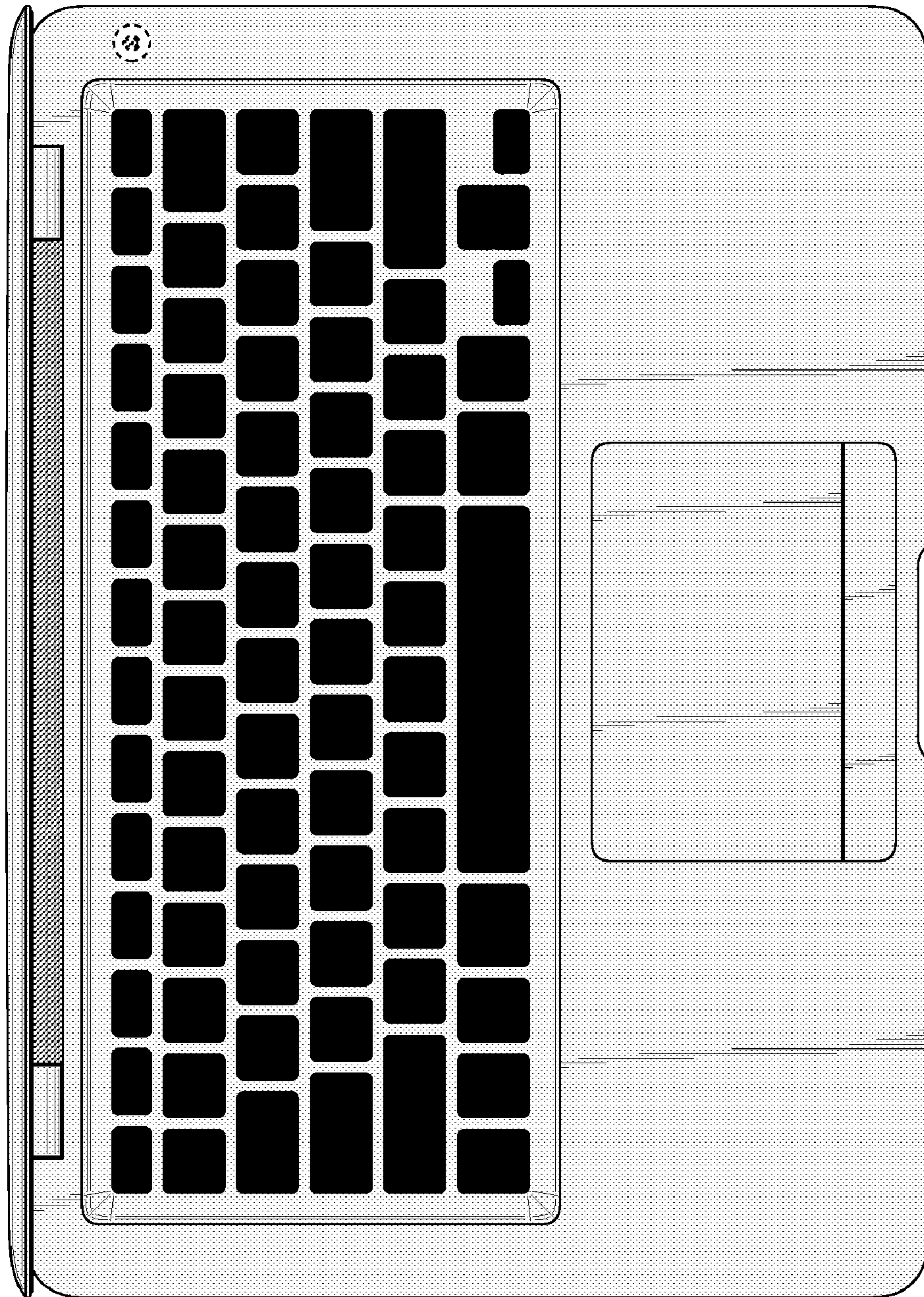


Fig. 9

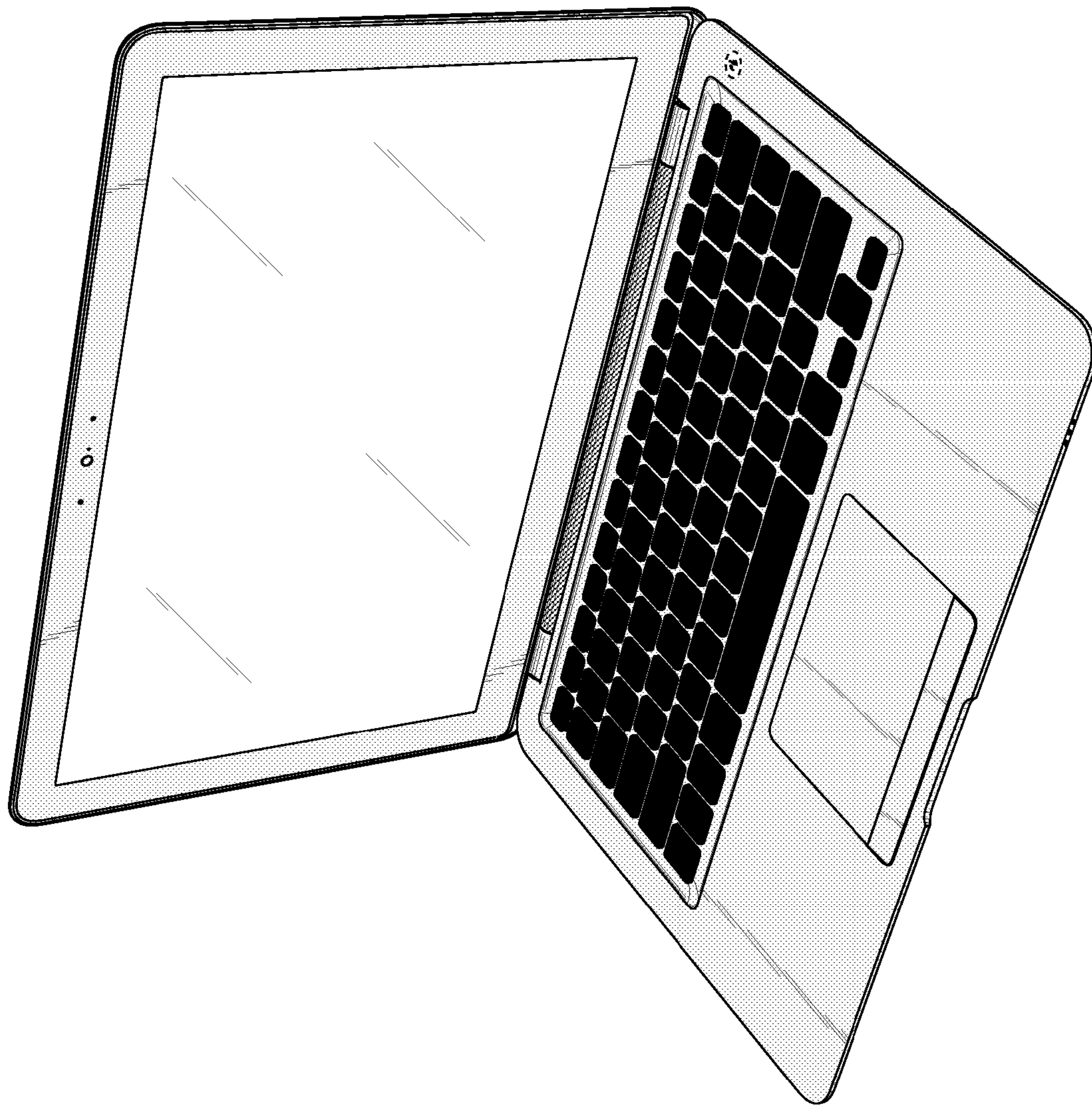


Fig. 10

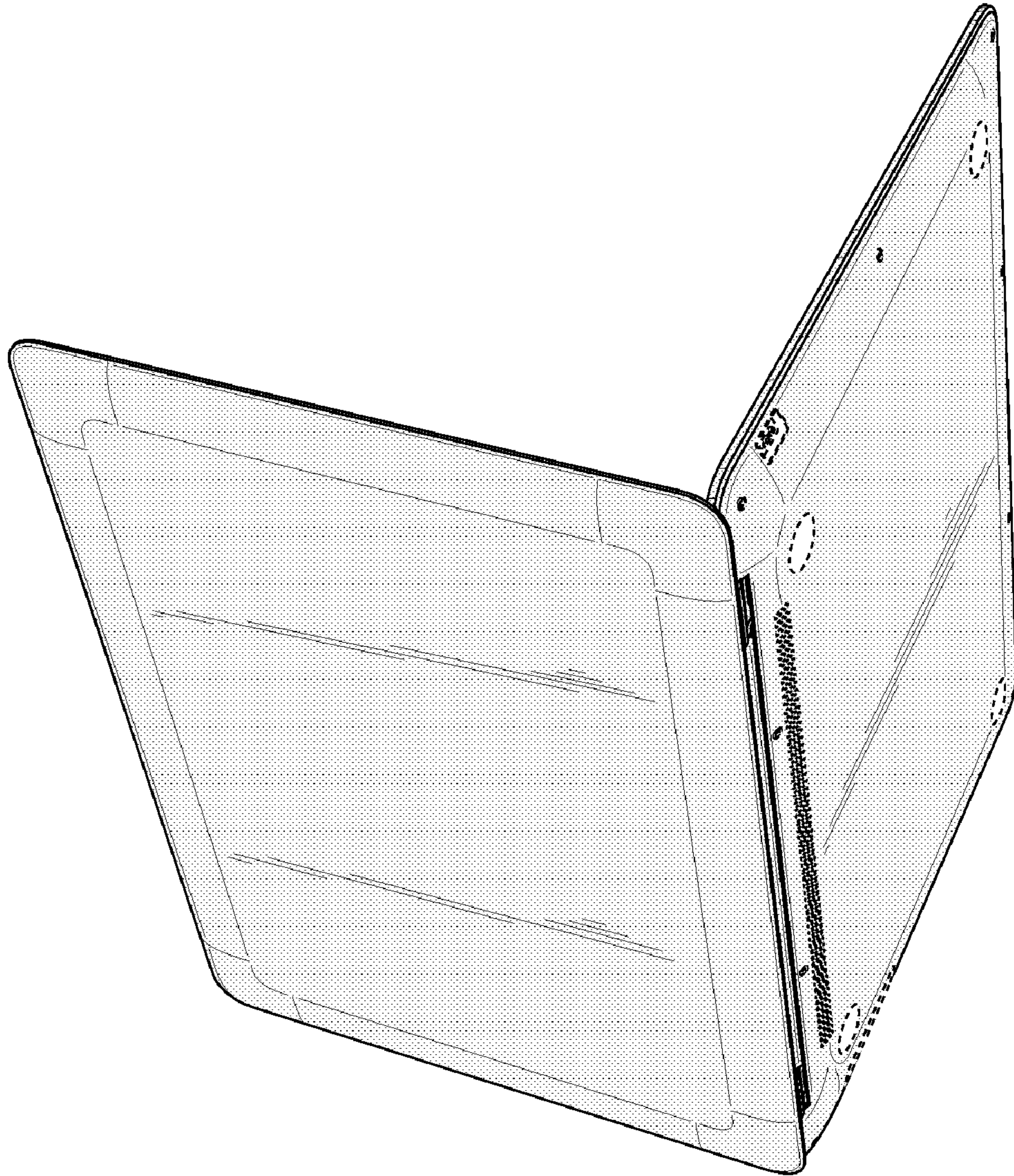


Fig. 11

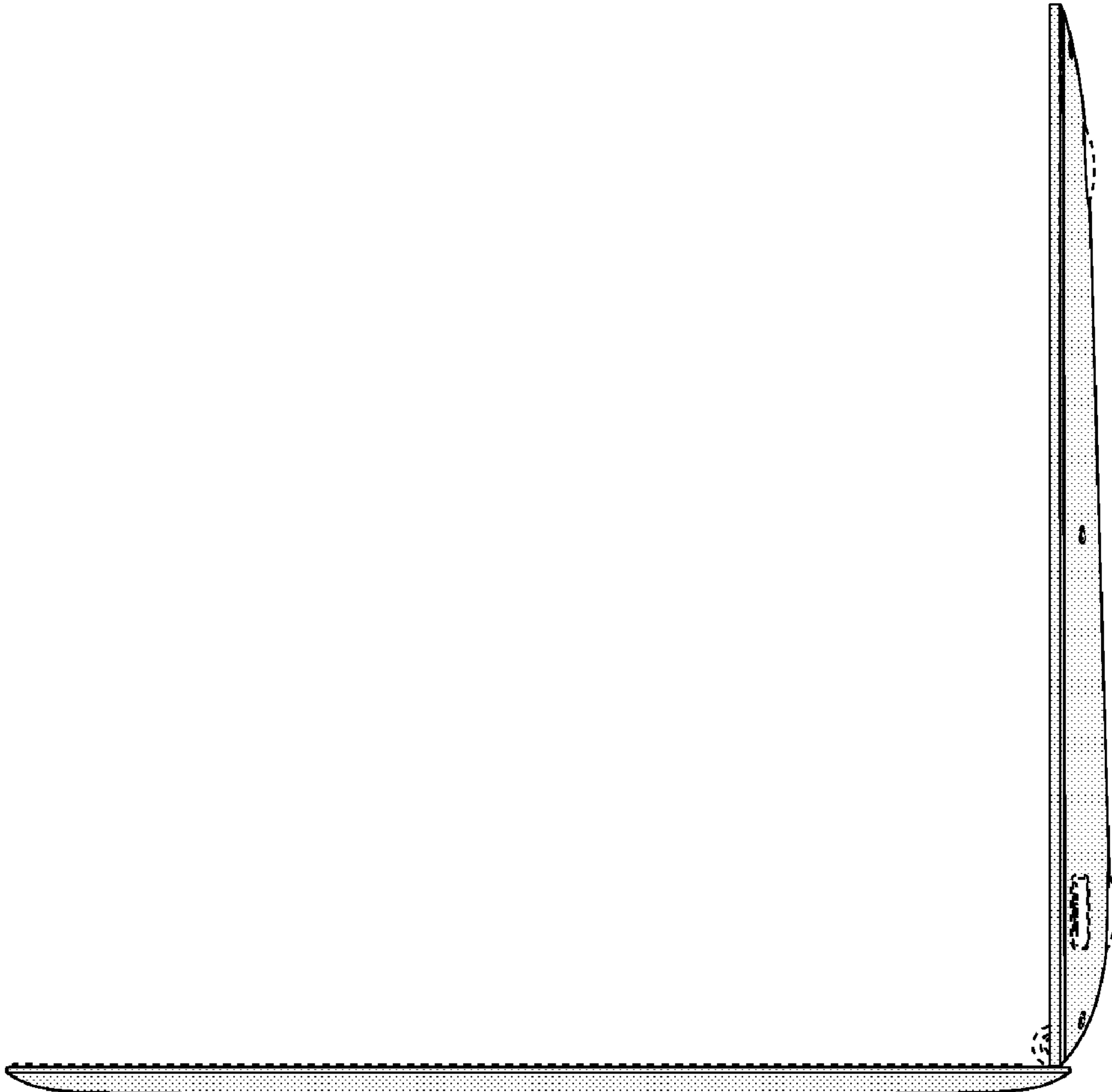


Fig. 12