



US00D625714S

(12) **United States Design Patent**
Majdandzic

(10) **Patent No.:** **US D625,714 S**

(45) **Date of Patent:** **** Oct. 19, 2010**

(54) **ROOF ANTENNA FOR A VEHICLE**

(75) Inventor: **Mario Majdandzic**, Munich (DE)

(73) Assignee: **Bayerische Motoren Werke Aktiengesellschaft**, Munich (DE)

(**) Term: **14 Years**

(21) Appl. No.: **29/356,055**

(22) Filed: **Feb. 19, 2010**

(30) **Foreign Application Priority Data**

Aug. 20, 2009 (DE) 402009004133

(51) **LOC (9) Cl.** **14-03**

(52) **U.S. Cl.** **D14/230**

(58) **Field of Classification Search** D14/230-238,
D14/299, 358, 138; 343/700 R-705, 711-713,
343/819, 871-908, 795, 840, 841, 846; 455/90.2,
455/90.3, 91, 128, 269, 345, 562.1, 575.9;
D12/42, 43

See application file for complete search history.

(56) **References Cited**

U.S. PATENT DOCUMENTS

- D118,160 S * 12/1939 Kopanski D14/234
- 4,253,099 A * 2/1981 Yamazaki et al. 343/713
- D268,577 S * 4/1983 Gillberg D12/304
- D347,226 S * 5/1994 Leu D14/234
- D550,659 S * 9/2007 Noro D14/230
- D551,220 S * 9/2007 Noro et al. D14/230
- 7,429,958 B2 * 9/2008 Lindackers et al. 343/713

- D581,403 S * 11/2008 Zwingmann D14/230
- D590,815 S * 4/2009 Murata D14/230
- D591,271 S * 4/2009 Lindackers et al. D14/218
- D595,699 S * 7/2009 Skottke D14/230
- D613,275 S * 4/2010 Omori et al. D14/230
- 2006/0227057 A1 * 10/2006 Lu 343/713

* cited by examiner

Primary Examiner—T. Chase Nelson

Assistant Examiner—John Windmuller

(74) *Attorney, Agent, or Firm*—Crowell & Moring LLP

(57) **CLAIM**

The ornamental design for a roof antenna for a vehicle, as shown and described.

DESCRIPTION

FIG. 1 is an elevated left, rear perspective view of a roof antenna for a vehicle according to my design, the elevated right, rear perspective view being mirror symmetrical;

FIG. 2 is a right, front perspective view thereof, the left, front perspective view being mirror symmetrical;

FIG. 3 is a right side view thereof, the left side view being mirror symmetrical;

FIG. 4 is a top view thereof;

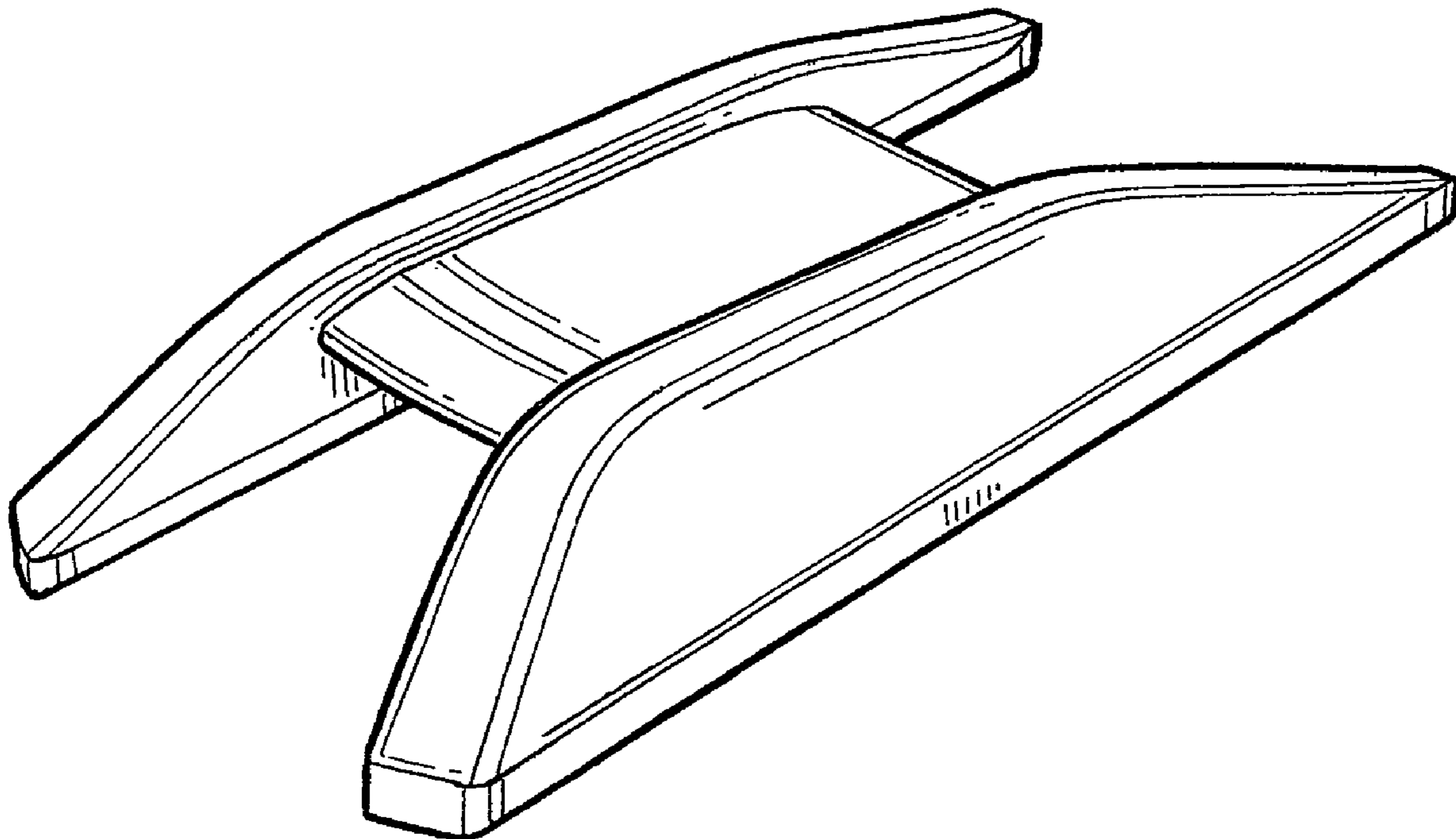
FIG. 5 is a bottom view thereof;

FIG. 6 is a rear view thereof; and,

FIG. 7 is a front view thereof.

In the drawings, the broken lines depict environmental subject matter only and form no part of the claimed design.

1 Claim, 3 Drawing Sheets



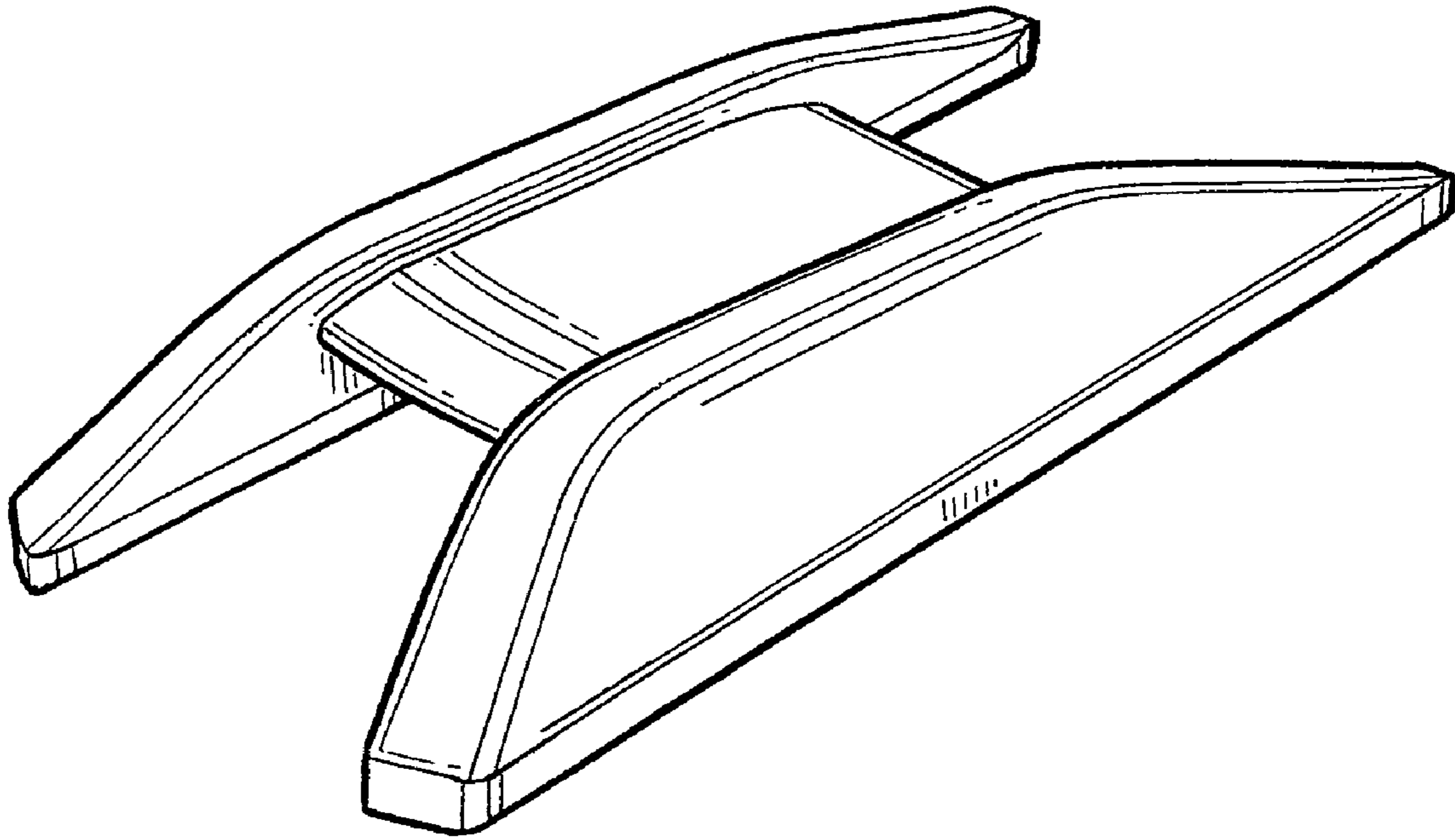


FIG. 1

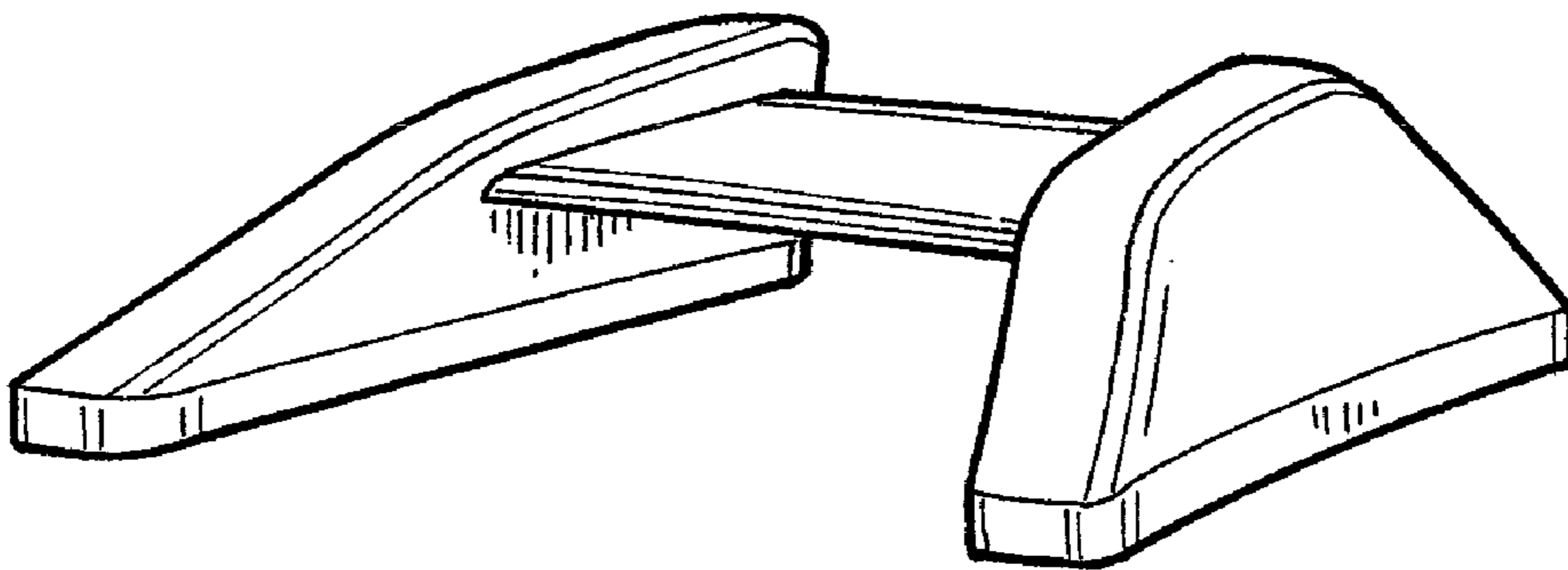


FIG. 2

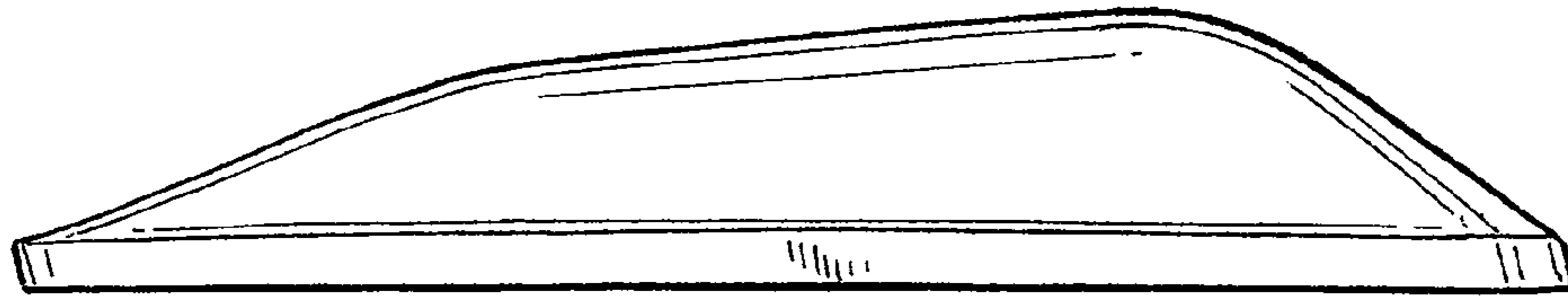


FIG. 3

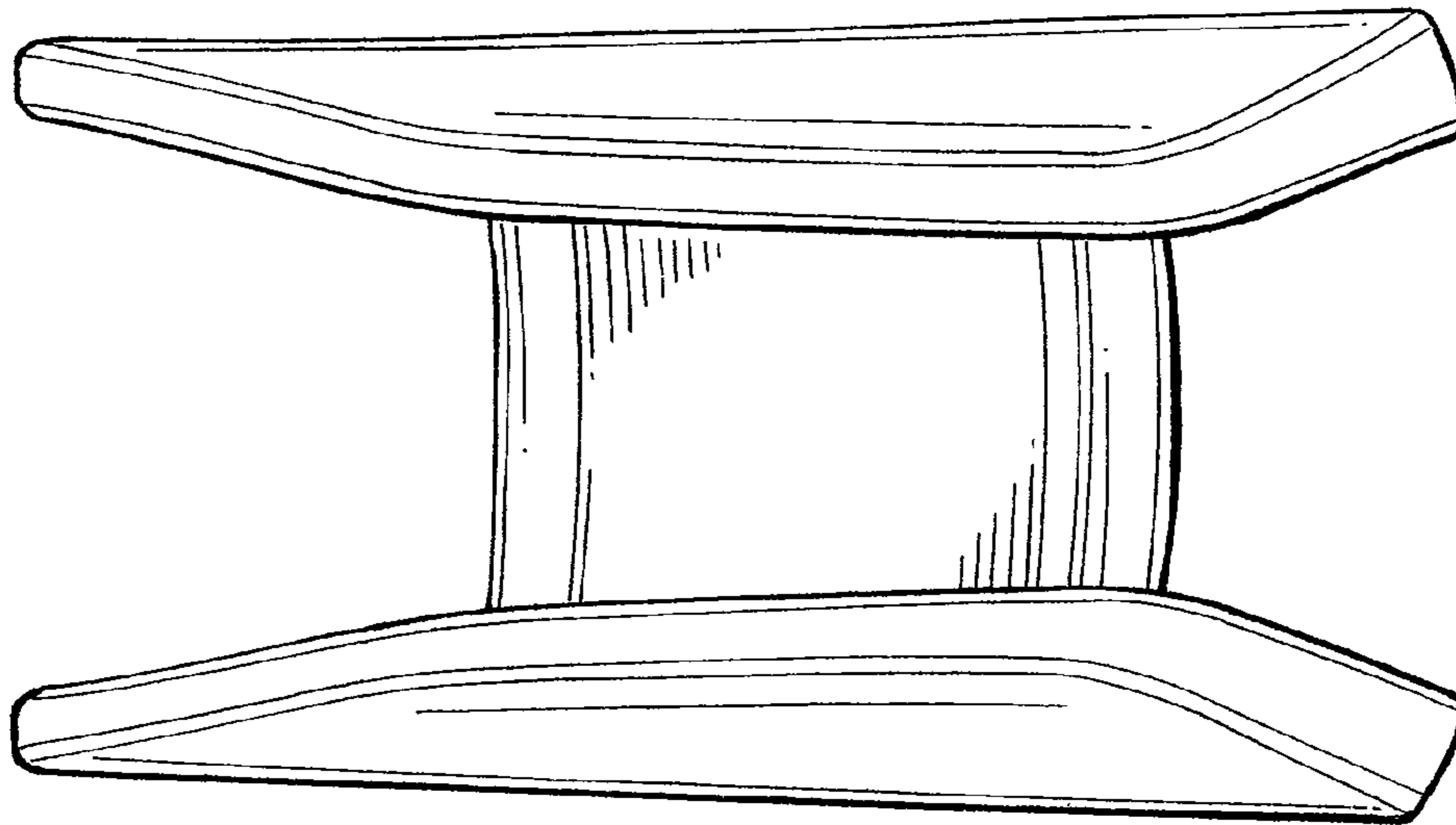


FIG. 4

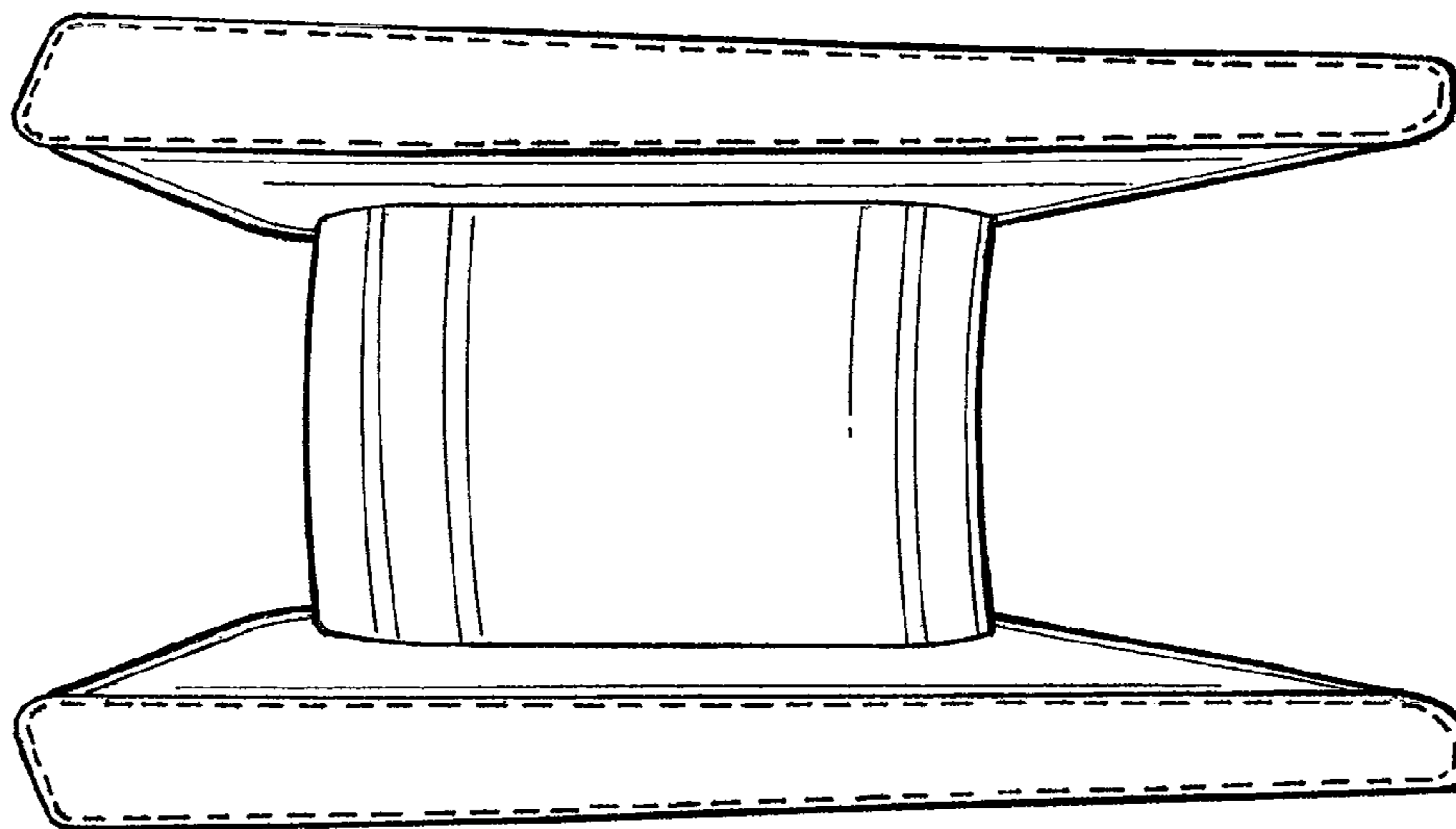


FIG. 5

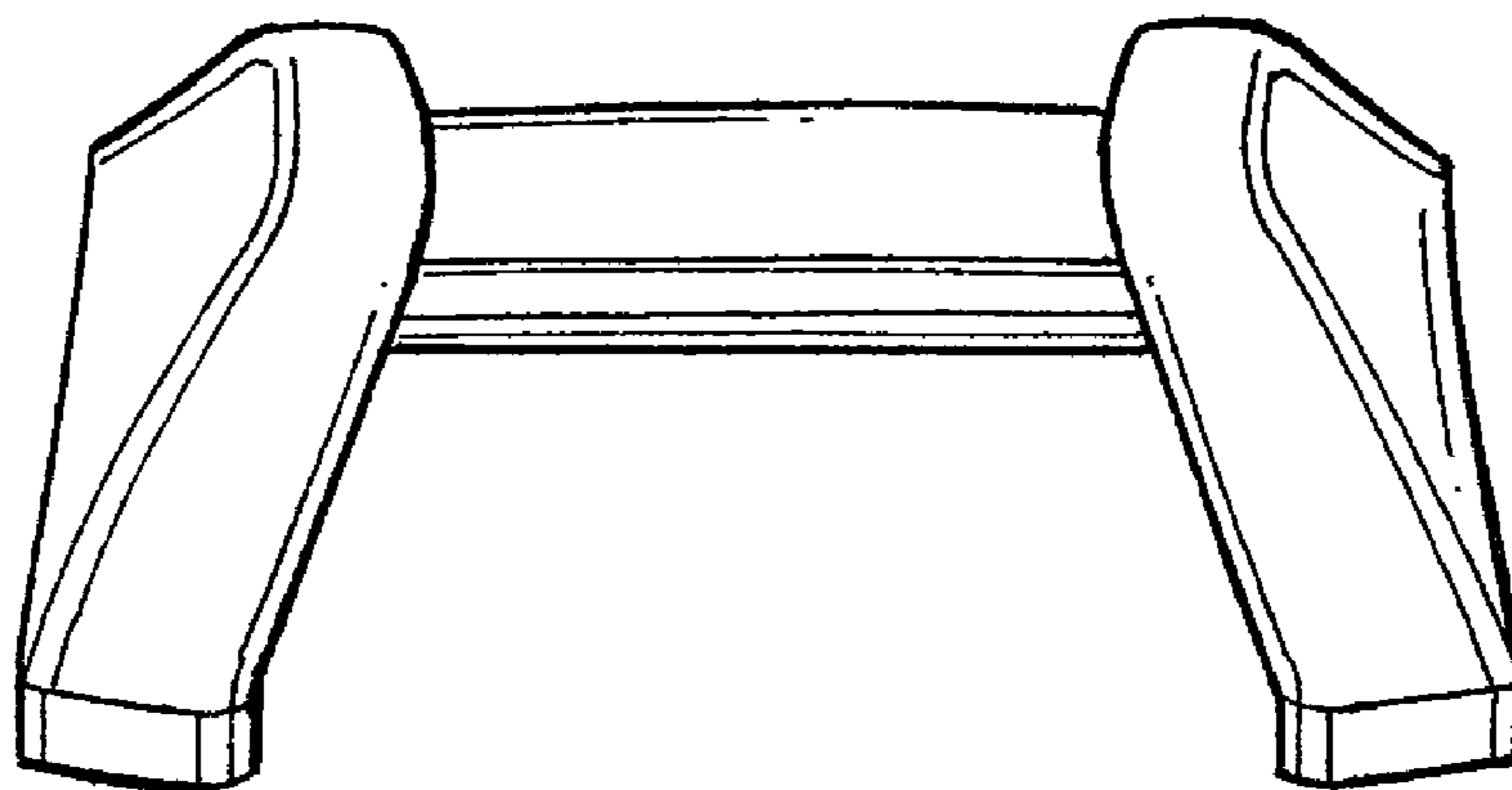


FIG. 6

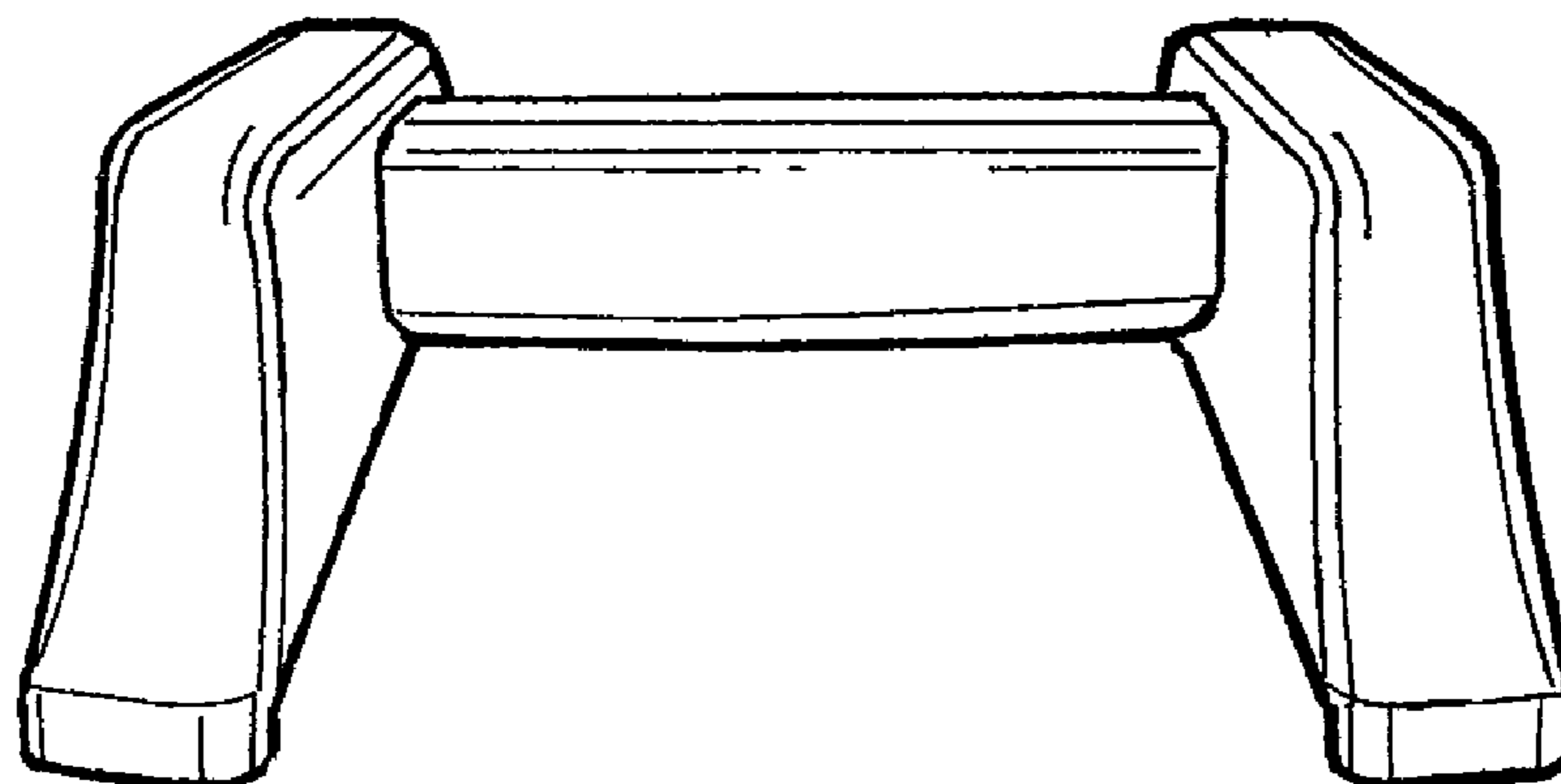


FIG. 7