



US00D625713S

(12) **United States Design Patent**  
**Yang**

(10) **Patent No.:** **US D625,713 S**

(45) **Date of Patent:** **\*\* Oct. 19, 2010**

(54) **COMMUNICATIONS HEADSET**

(75) Inventor: **Joseph Yang**, San Jose, CA (US)

(73) Assignee: **Plantronics, Inc.**, Santa Cruz, CA (US)

(\*\*) Term: **14 Years**

(21) Appl. No.: **29/354,910**

(22) Filed: **Jan. 29, 2010**

(51) **LOC (9) Cl.** ..... **14-01**

(52) **U.S. Cl.** ..... **D14/223**

(58) **Field of Classification Search** ..... D14/205,  
D14/206, 223; 181/129, 130, 135; 379/430;  
381/380, 381; 455/575.1, 575.2, 90.3  
See application file for complete search history.

(56) **References Cited**

U.S. PATENT DOCUMENTS

D520,497 S *	5/2006	Yang	.....	D14/223
D564,500 S *	3/2008	Wang	.....	D14/223
D565,033 S *	3/2008	Goransson	.....	D14/223
D566,105 S *	4/2008	Yang et al.	.....	D14/223
D569,842 S *	5/2008	Yang	.....	D14/205
D577,003 S *	9/2008	Yang et al.	.....	D14/206
D590,814 S *	4/2009	Bradford	.....	D14/223
D601,134 S *	9/2009	Elabidi et al.	.....	D14/223
D612,834 S *	3/2010	Yang et al.	.....	D14/206
D612,835 S *	3/2010	Yang et al.	.....	D14/206
D612,840 S *	3/2010	Yang et al.	.....	D14/223
D613,273 S *	4/2010	Liner et al.	.....	D14/223

D617,316 S *	6/2010	Elabidi et al.	.....	D14/223
D619,561 S *	7/2010	Yang	.....	D14/205
D619,998 S *	7/2010	Birger	.....	D14/223

\* cited by examiner

*Primary Examiner*—Paula Greene

(74) *Attorney, Agent, or Firm*—Michael Rodriguez

(57) **CLAIM**

The ornamental design for a communications headset, as shown and described.

**DESCRIPTION**

FIG. 1 is front-bottom-right perspective view of a communications headset showing our new design;

FIG. 2 is a right side view thereof;

FIG. 3 is a left side view thereof;

FIG. 4 is a bottom view thereof;

FIG. 5 is a top view thereof;

FIG. 6 is a front view thereof;

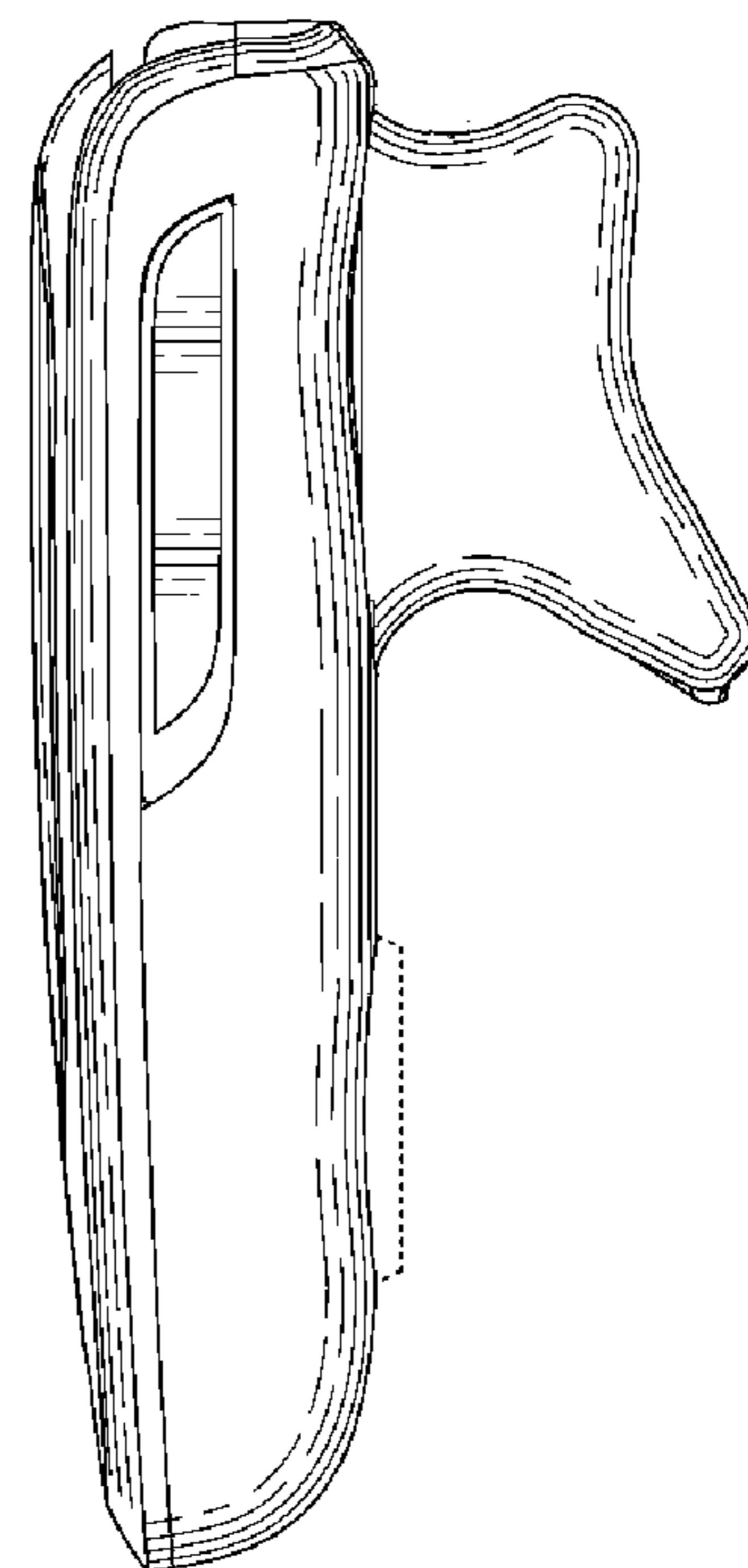
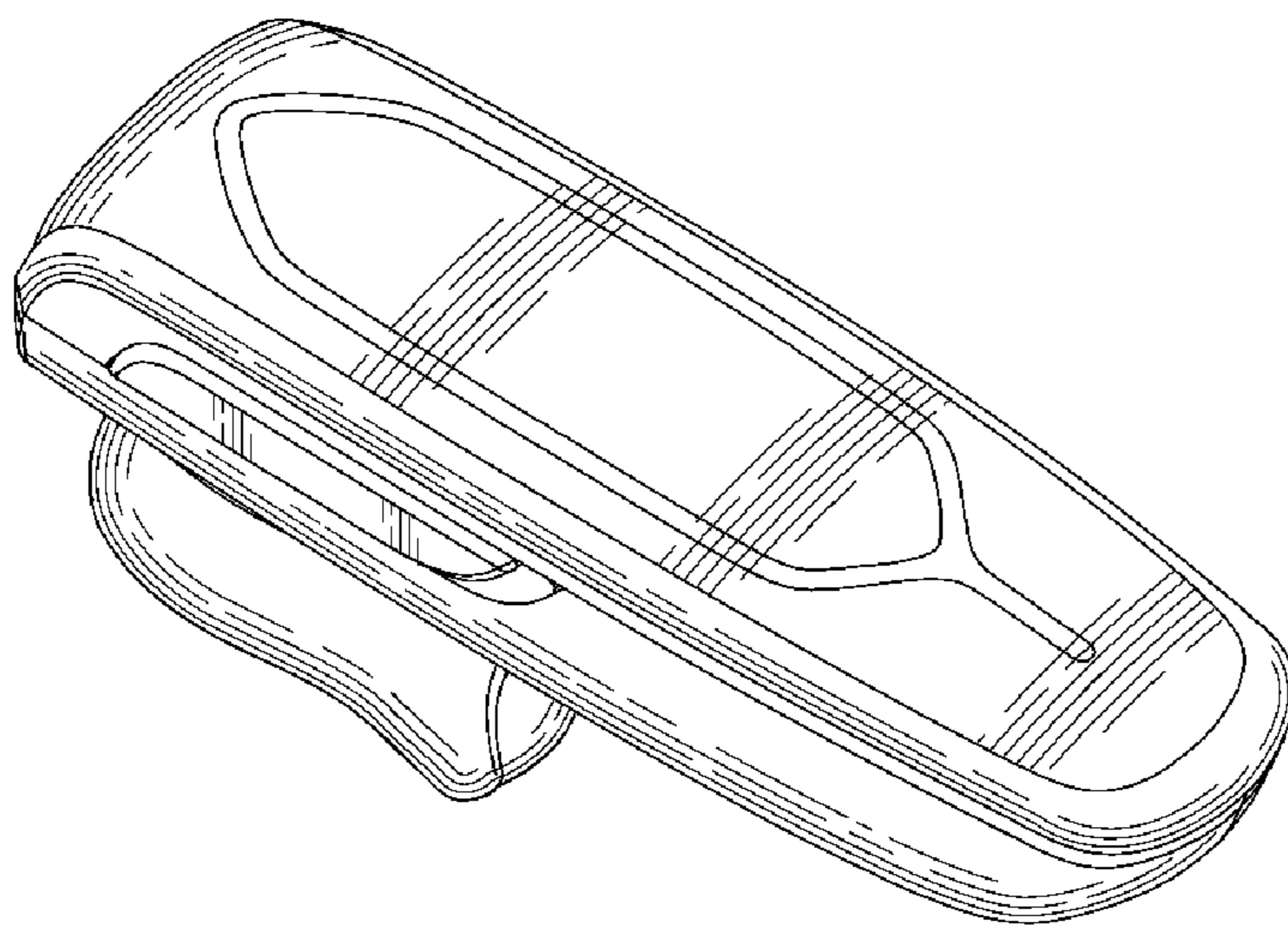
FIG. 7 is a back view thereof;

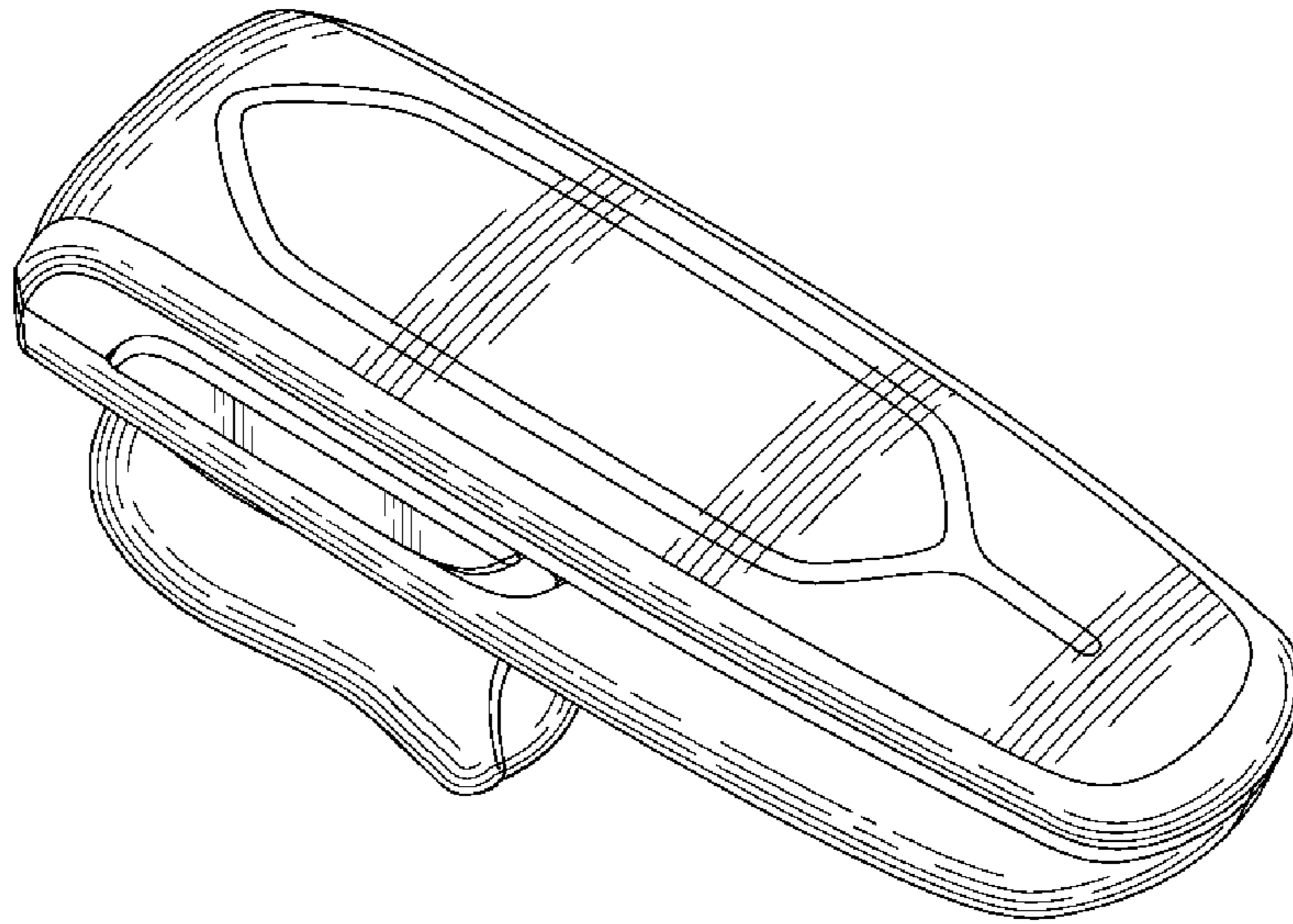
FIG. 8 is a right side view thereof with the ear loop in broken lines; and,

FIG. 9 is a left side view thereof with the ear loop in broken lines.

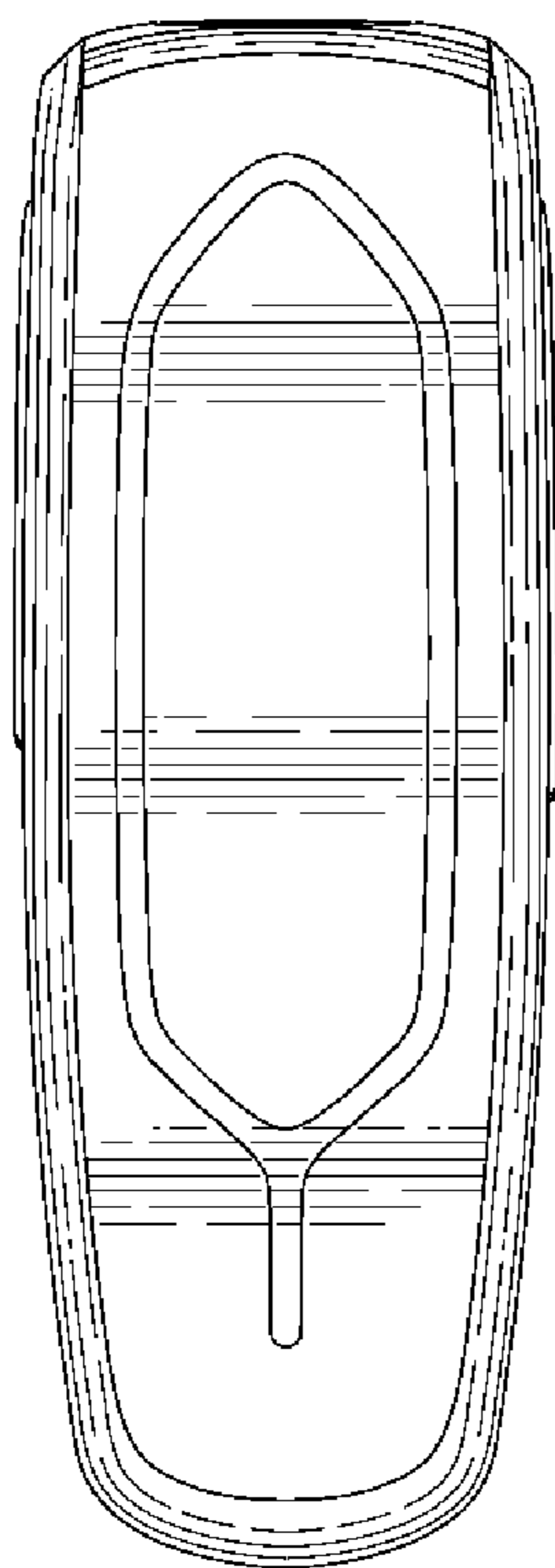
The broken lines showing of the unclaimed environment forms no part of the claimed design.

**1 Claim, 3 Drawing Sheets**

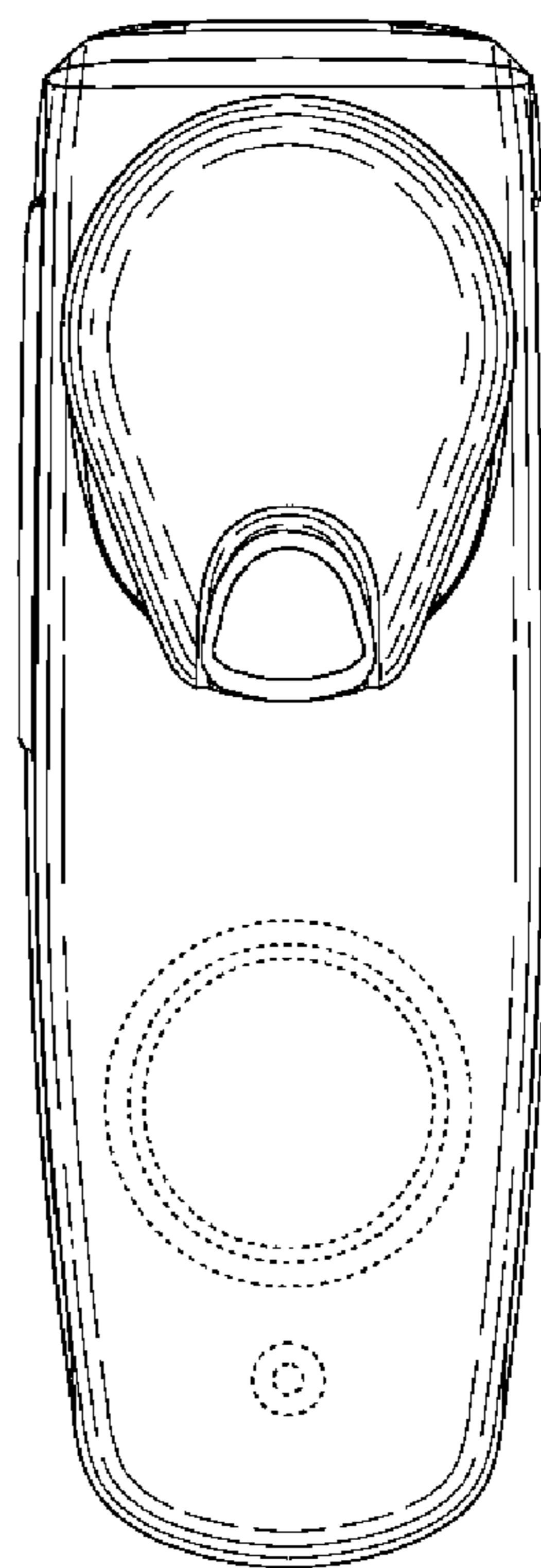




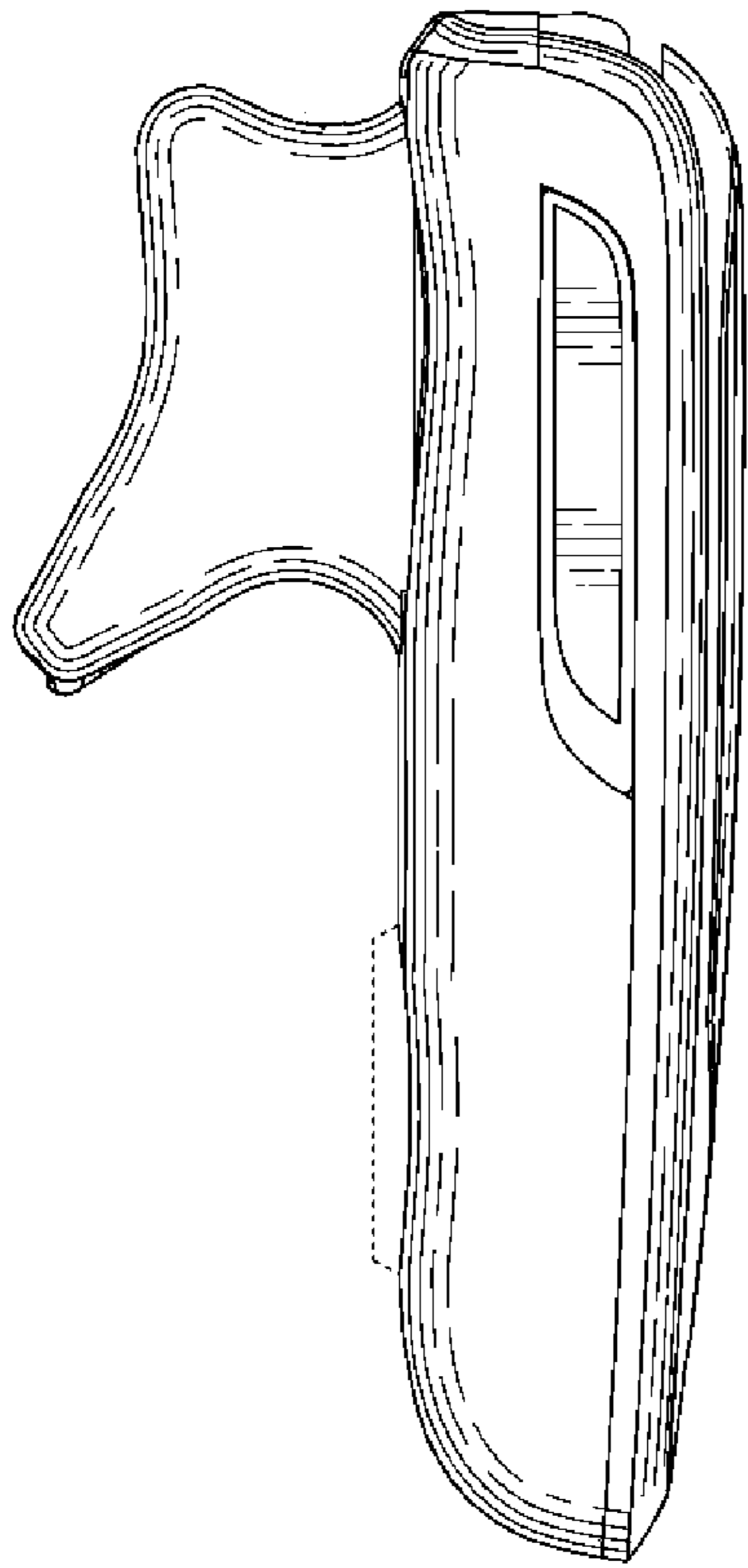
**FIG. 1**



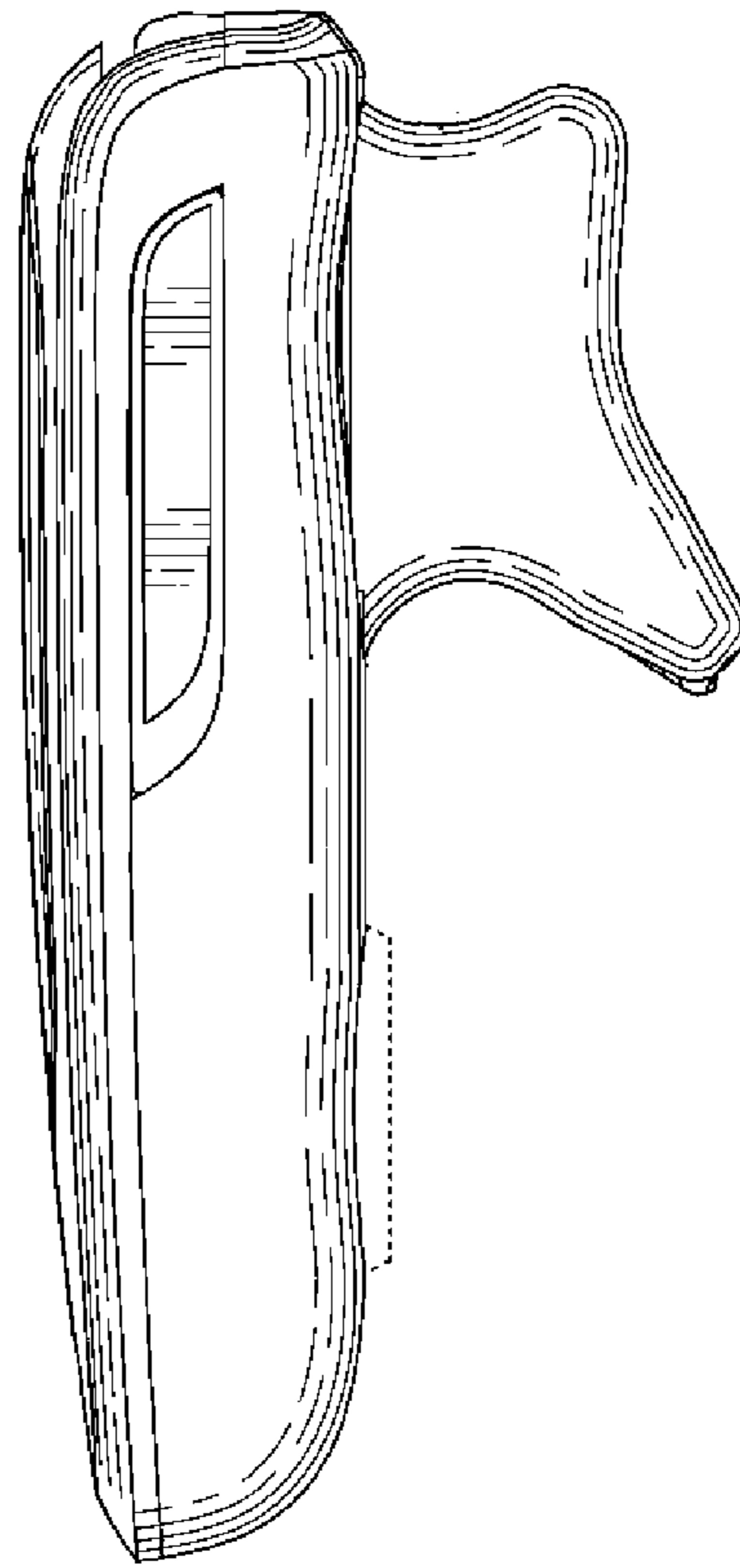
**FIG. 2**



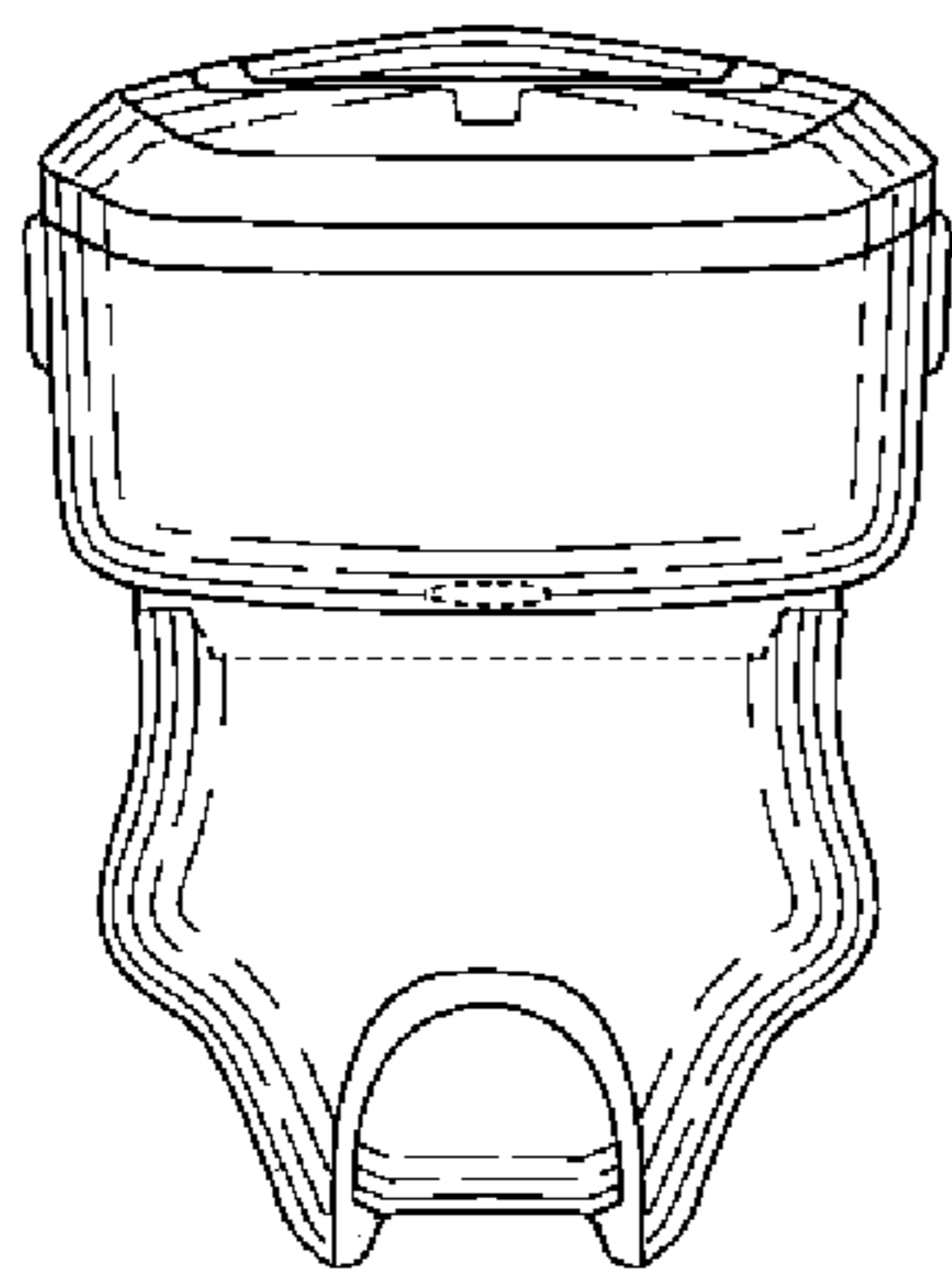
**FIG. 3**



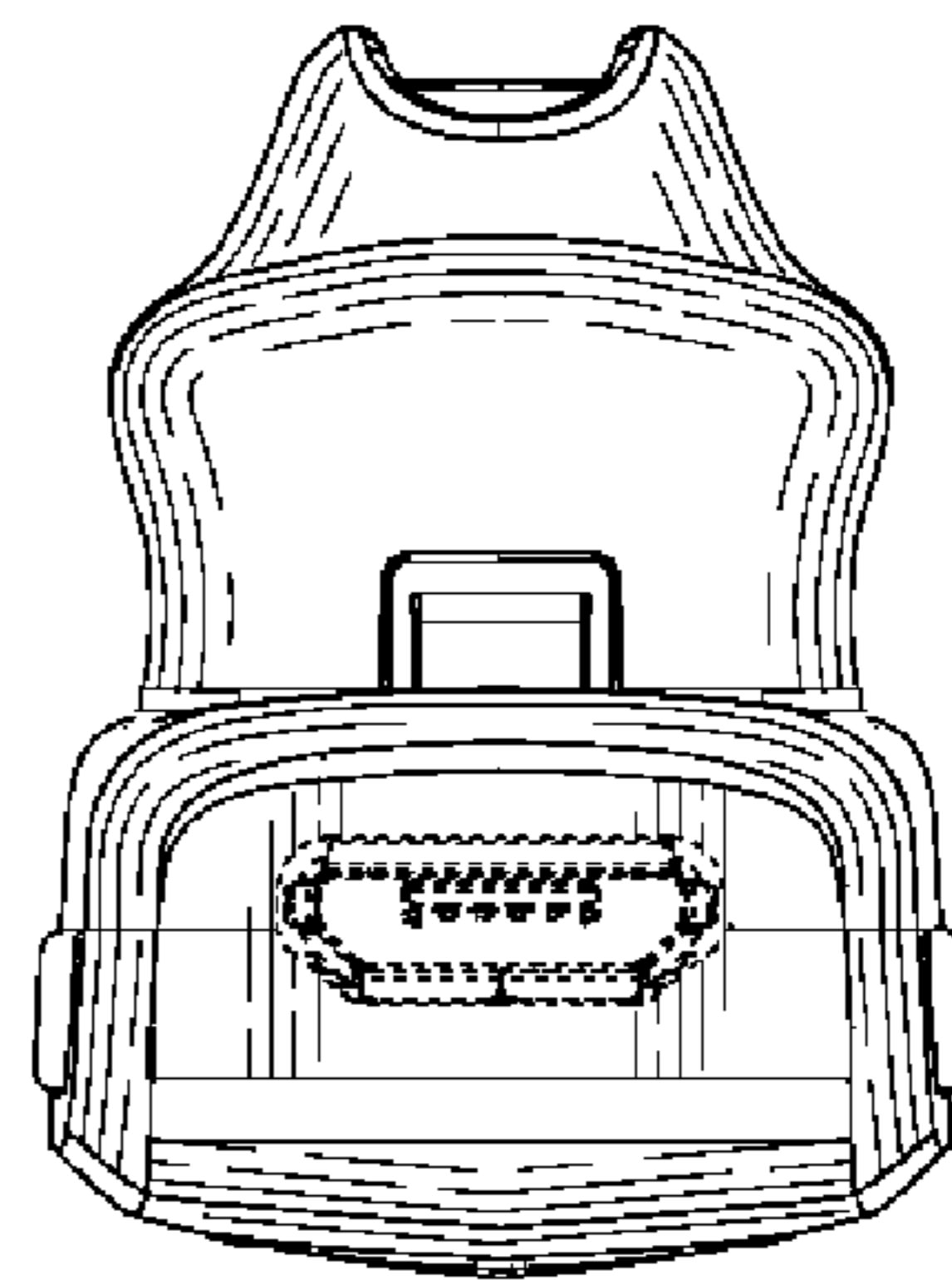
**FIG. 4**



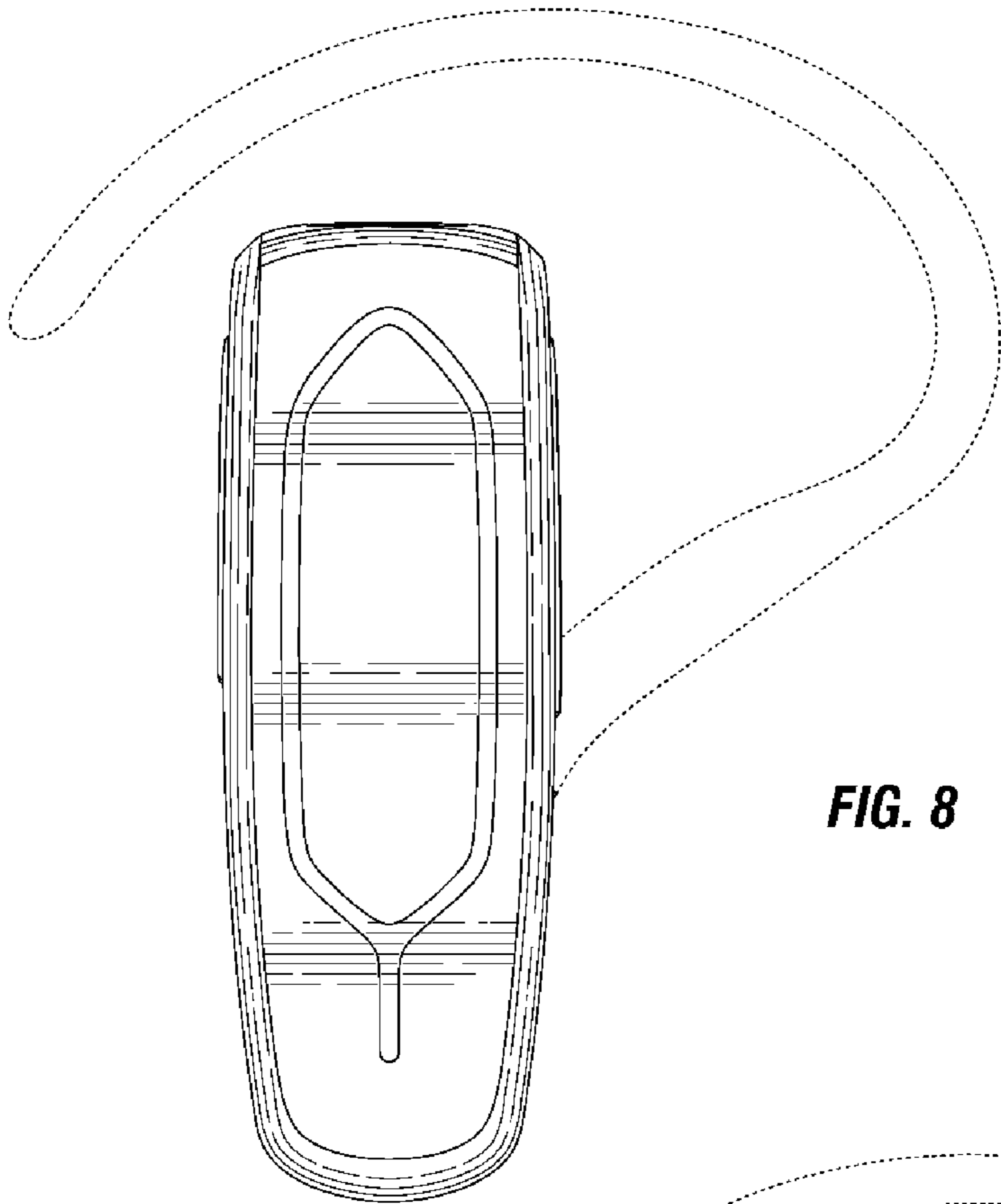
**FIG. 5**



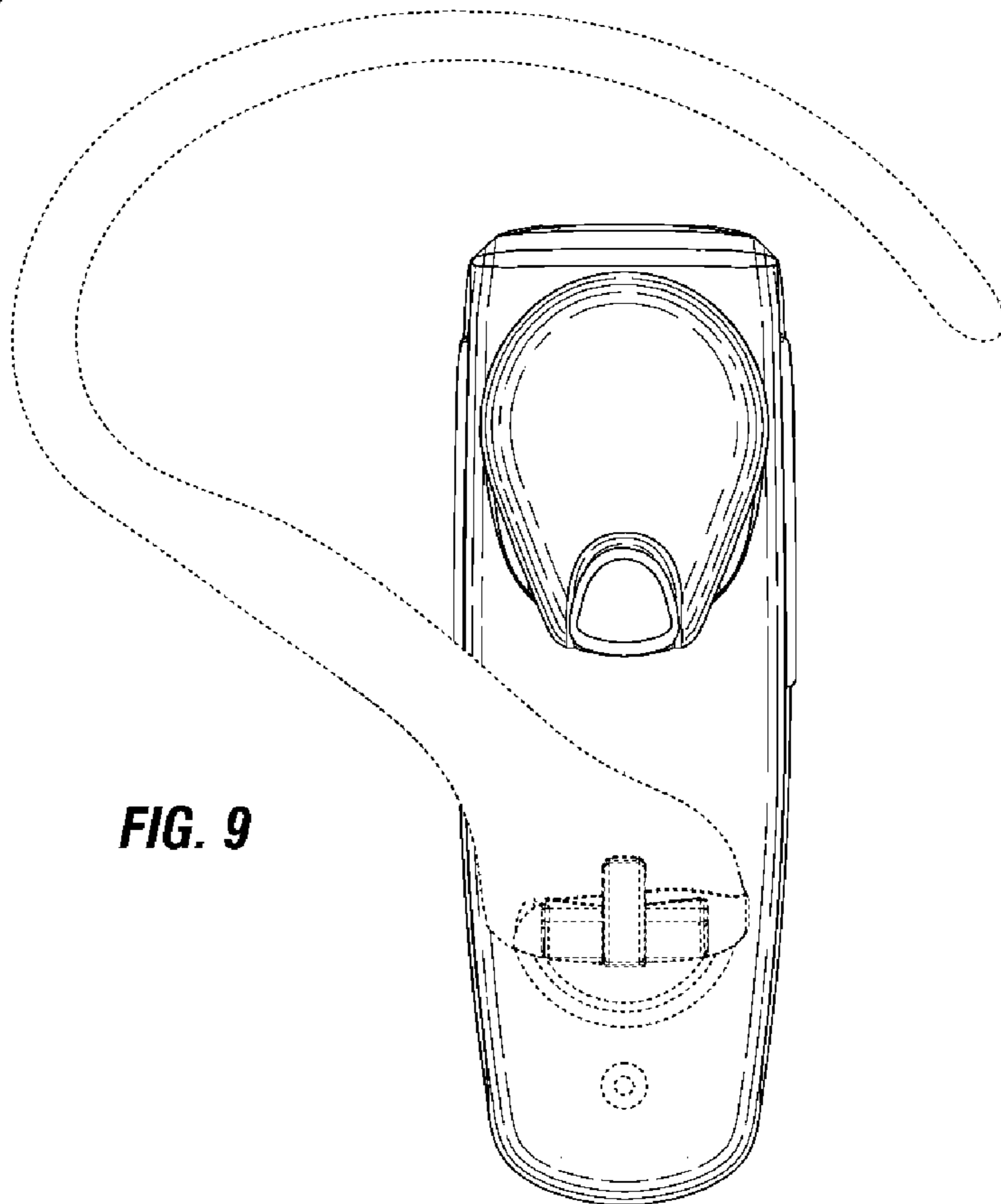
**FIG. 6**



**FIG. 7**



**FIG. 8**



**FIG. 9**