



US00D625712S

(12) **United States Design Patent**
Yang

(10) **Patent No.:** **US D625,712 S**

(45) **Date of Patent:** **** Oct. 19, 2010**

(54) **COMMUNICATIONS HEADSET**

D619,561 S * 7/2010 Yang D14/205
D619,998 S * 7/2010 Birger D14/223

(75) Inventor: **Joseph Yang**, San Jose, CA (US)

* cited by examiner

(73) Assignee: **Plantronics, Inc.**, Santa Cruz, CA (US)

Primary Examiner—Paula Greene

(**) Term: **14 Years**

(74) *Attorney, Agent, or Firm*—Michael Rodriguez

(21) Appl. No.: **29/354,907**

(57) **CLAIM**

(22) Filed: **Jan. 29, 2010**

The ornamental design for a communications headset, as shown and described.

(51) **LOC (9) Cl.** **14-01**

(52) **U.S. Cl.** **D14/223**

(58) **Field of Classification Search** D14/205,
D14/206, 223; 181/129, 130, 135; 379/430;
381/380, 381; 455/575.1, 575.2, 90.3
See application file for complete search history.

DESCRIPTION

(56) **References Cited**

U.S. PATENT DOCUMENTS

D520,497 S *	5/2006	Yang	D14/223
D564,500 S *	3/2008	Wang	D14/223
D565,033 S *	3/2008	Goransson	D14/223
D566,105 S *	4/2008	Yang et al.	D14/223
D569,842 S *	5/2008	Yang	D14/205
D577,003 S *	9/2008	Yang et al.	D14/206
D590,814 S *	4/2009	Bradford	D14/223
D601,134 S *	9/2009	Elabidi et al.	D14/223
D612,834 S *	3/2010	Yang et al.	D14/206
D612,840 S *	3/2010	Yang et al.	D14/223
D613,273 S *	4/2010	Liner et al.	D14/223
D617,316 S *	6/2010	Elabidi et al.	D14/223

FIG. 1 is front-bottom-right perspective view of a communications headset showing our new design;

FIG. 2 is a right side view thereof;

FIG. 3 is a left side view thereof;

FIG. 4 is a bottom view thereof;

FIG. 5 is a top view thereof;

FIG. 6 is a front view thereof;

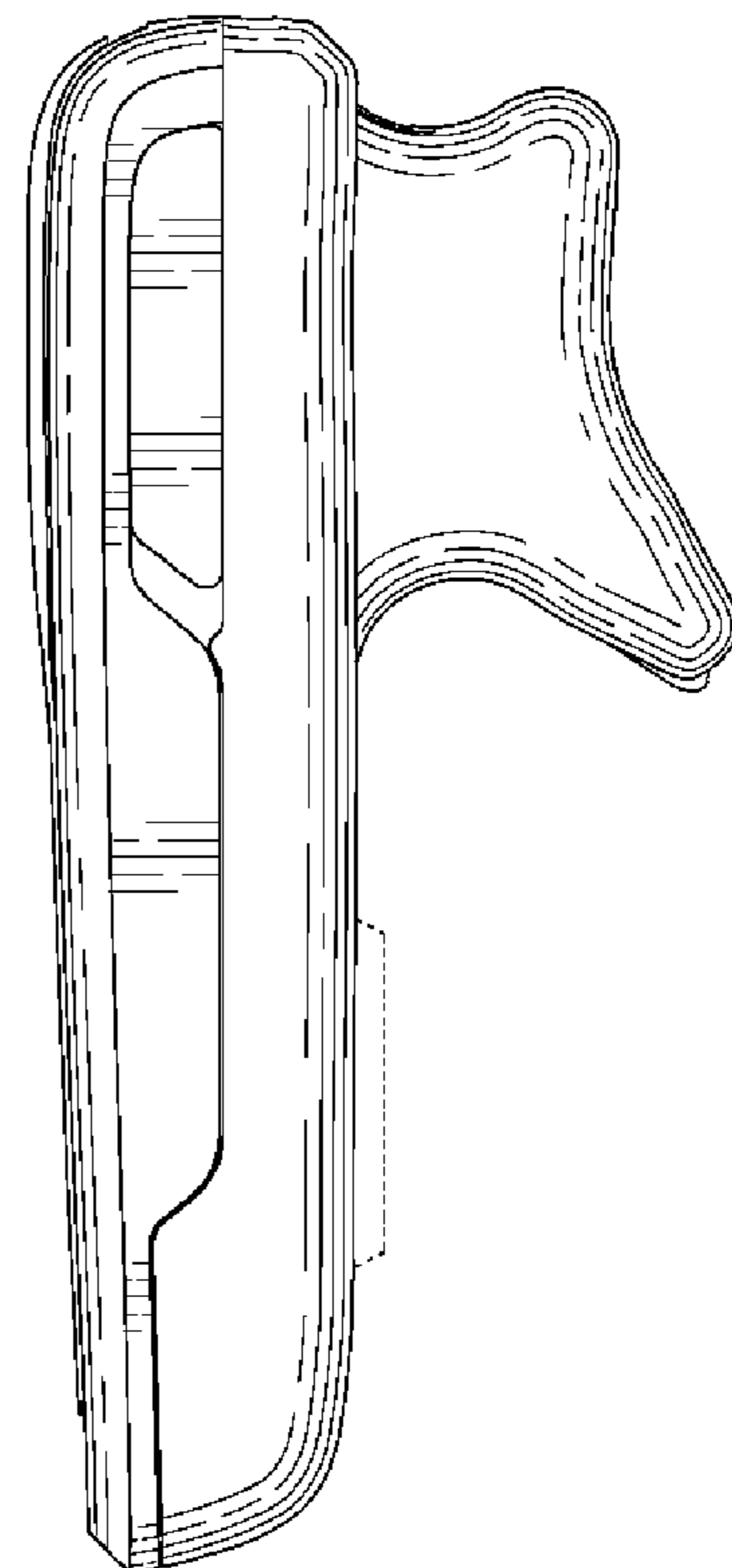
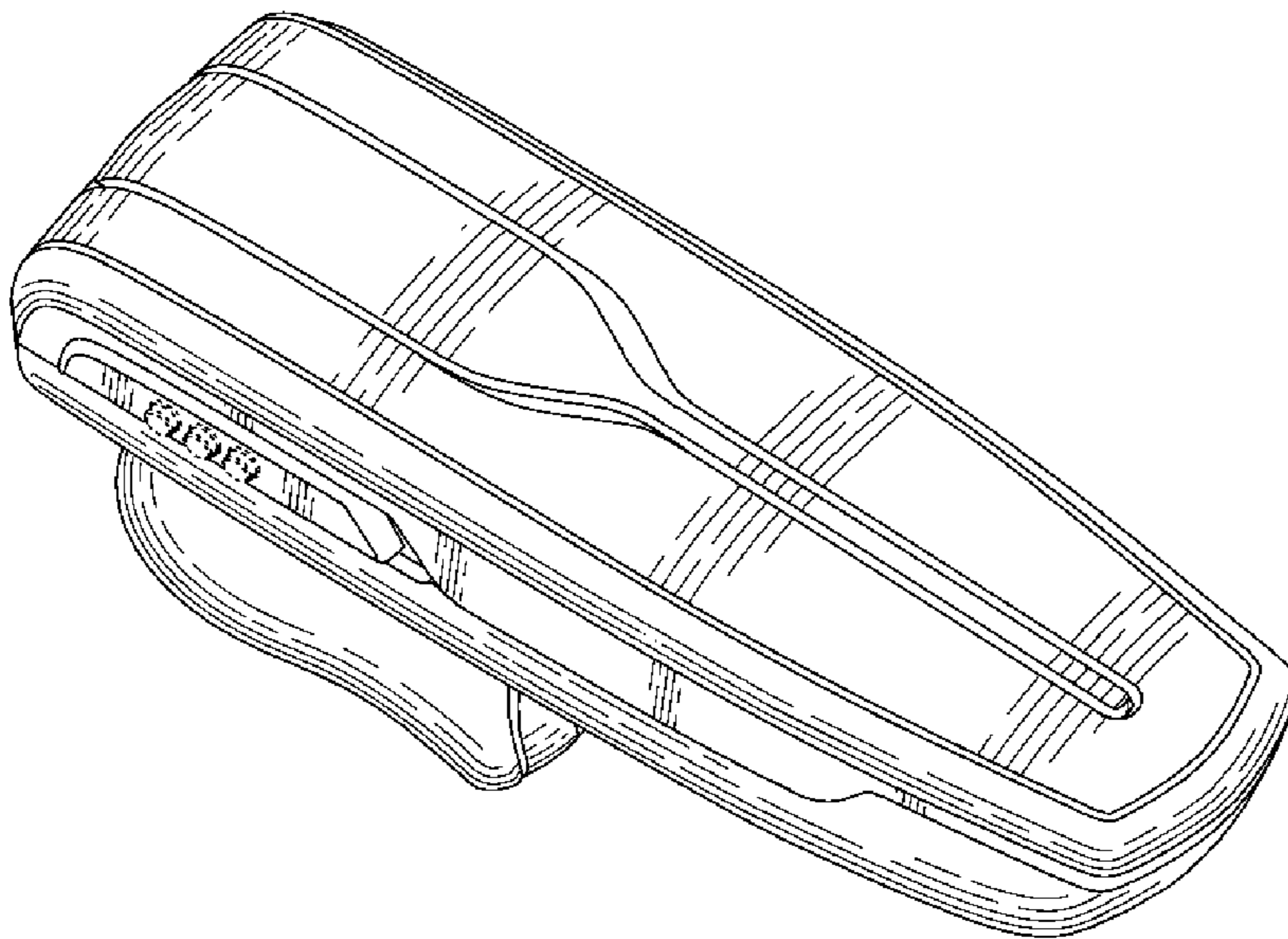
FIG. 7 is a back view thereof;

FIG. 8 is a right side view thereof, with the ear loop in broken lines; and,

FIG. 9 is a left side view thereof with the ear loop in broken lines.

The broken lines showing of the unclaimed environment forms no part of the claimed design.

1 Claim, 3 Drawing Sheets



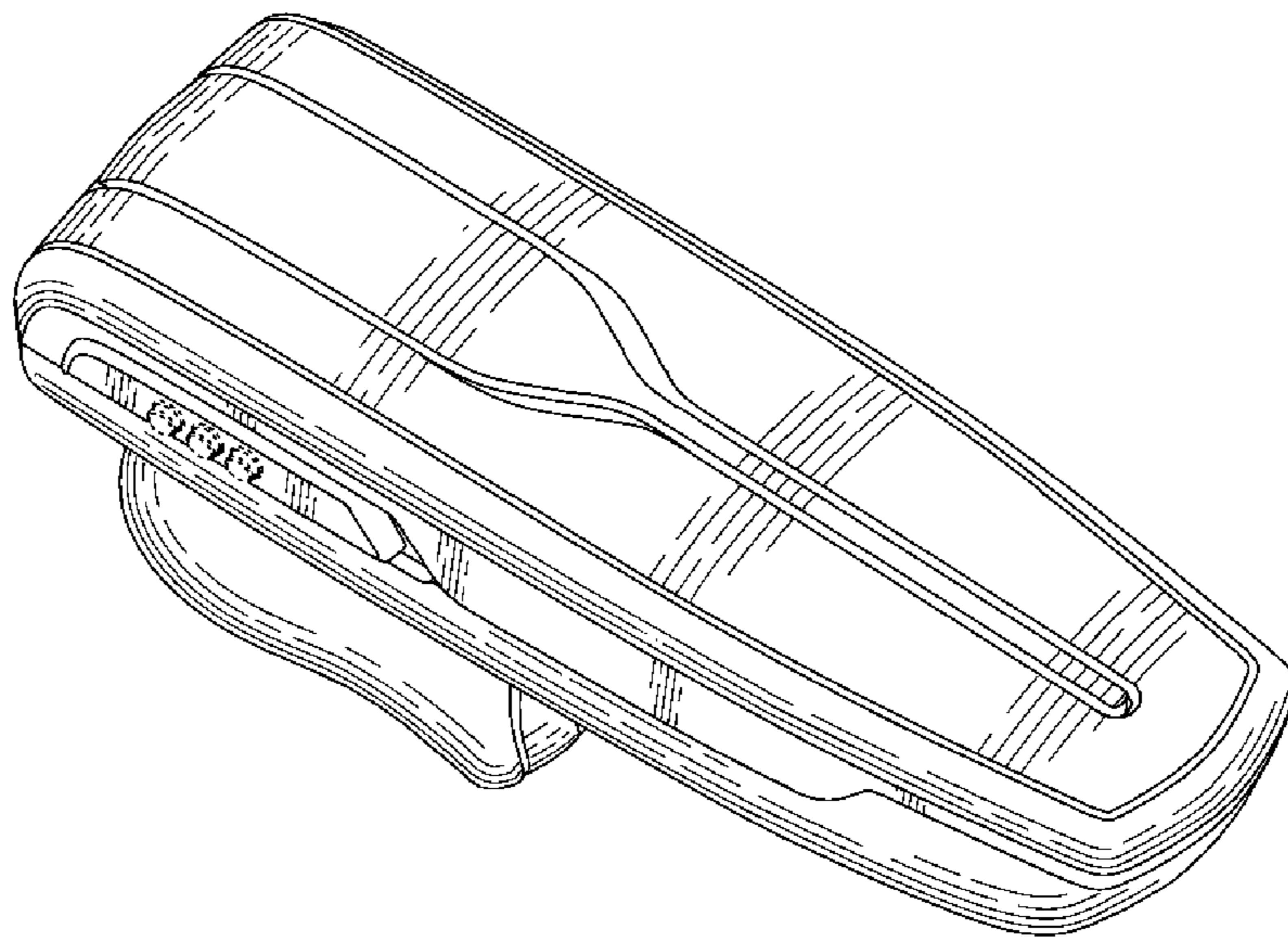


FIG. 1

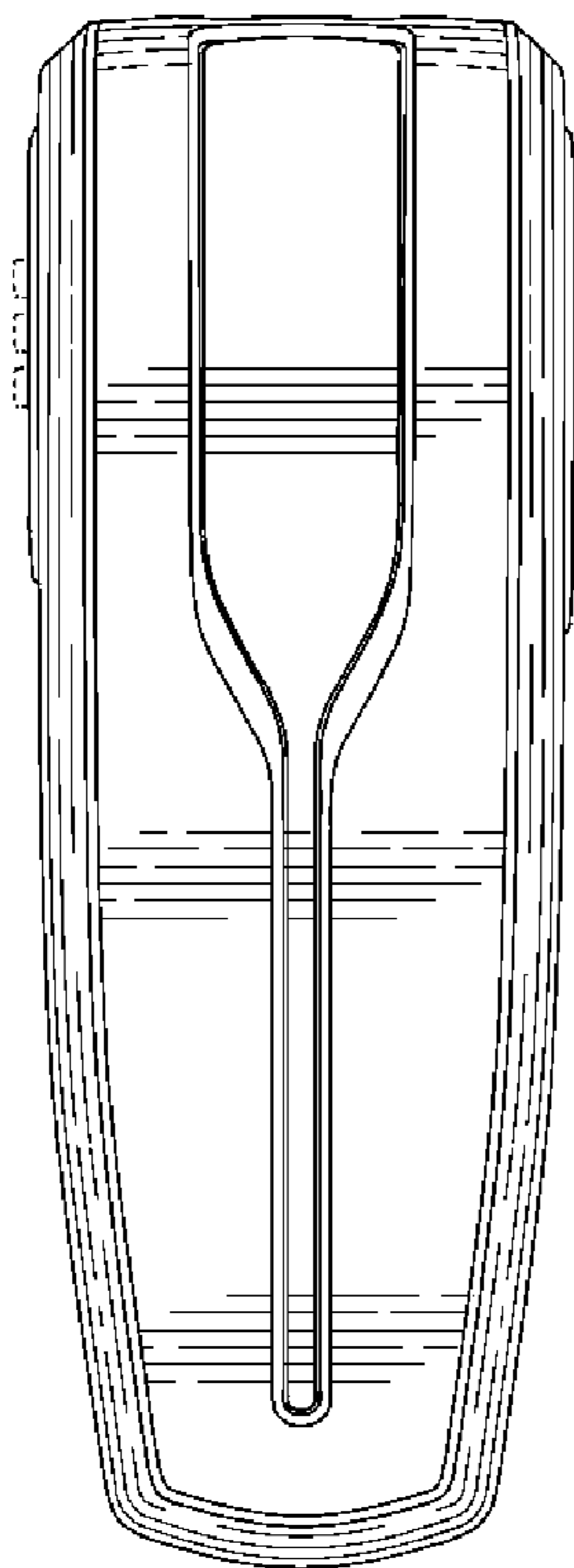


FIG. 2

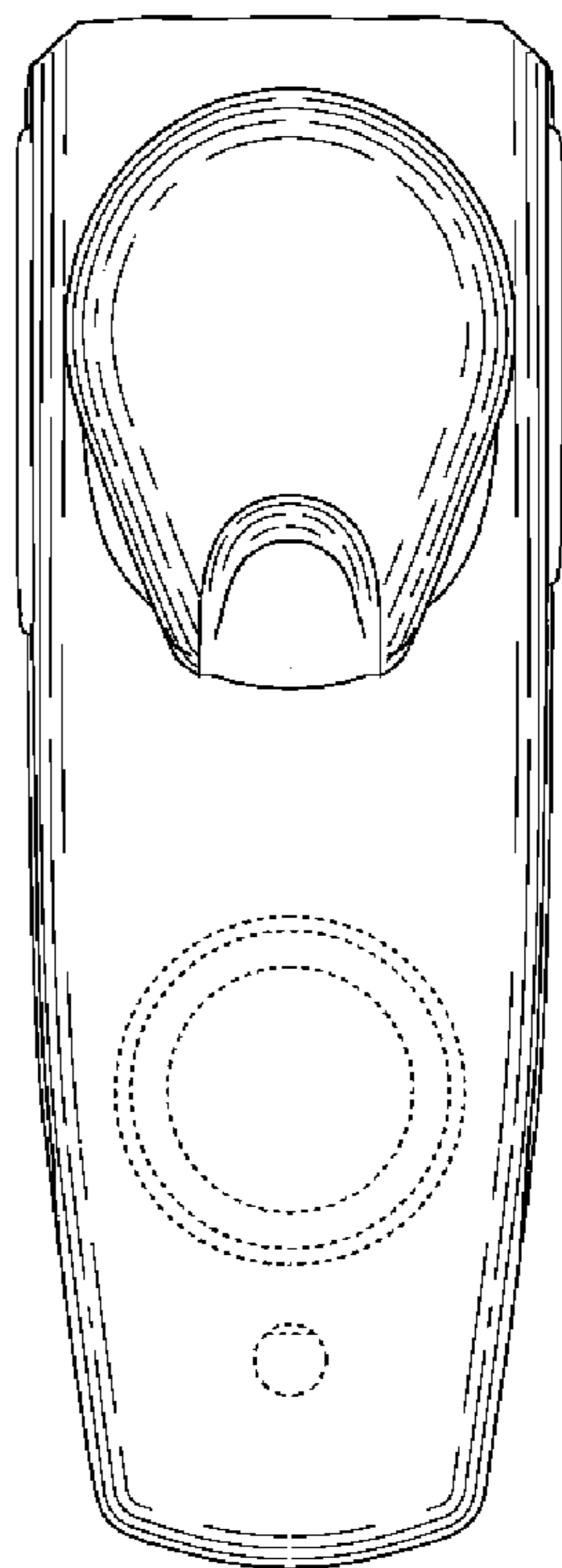


FIG. 3

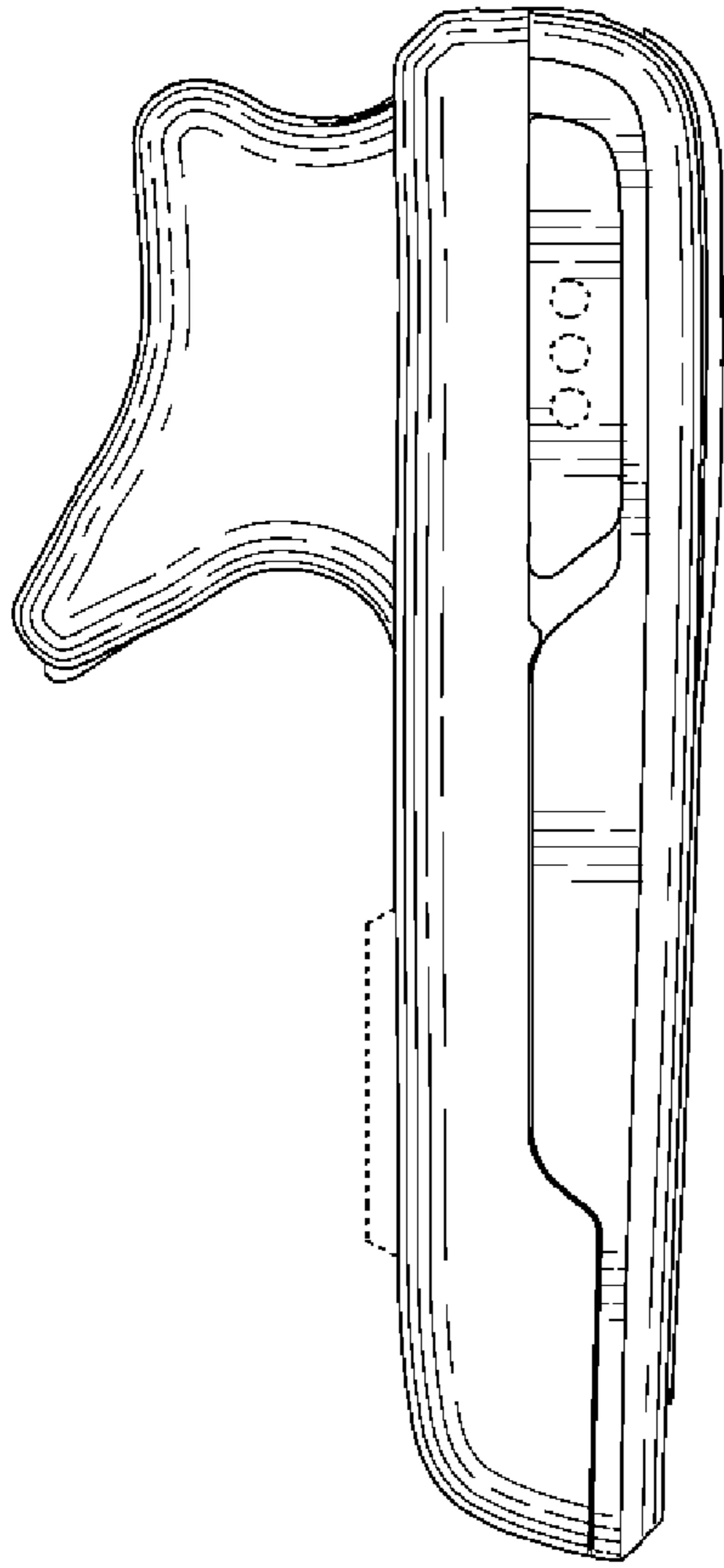


FIG. 4

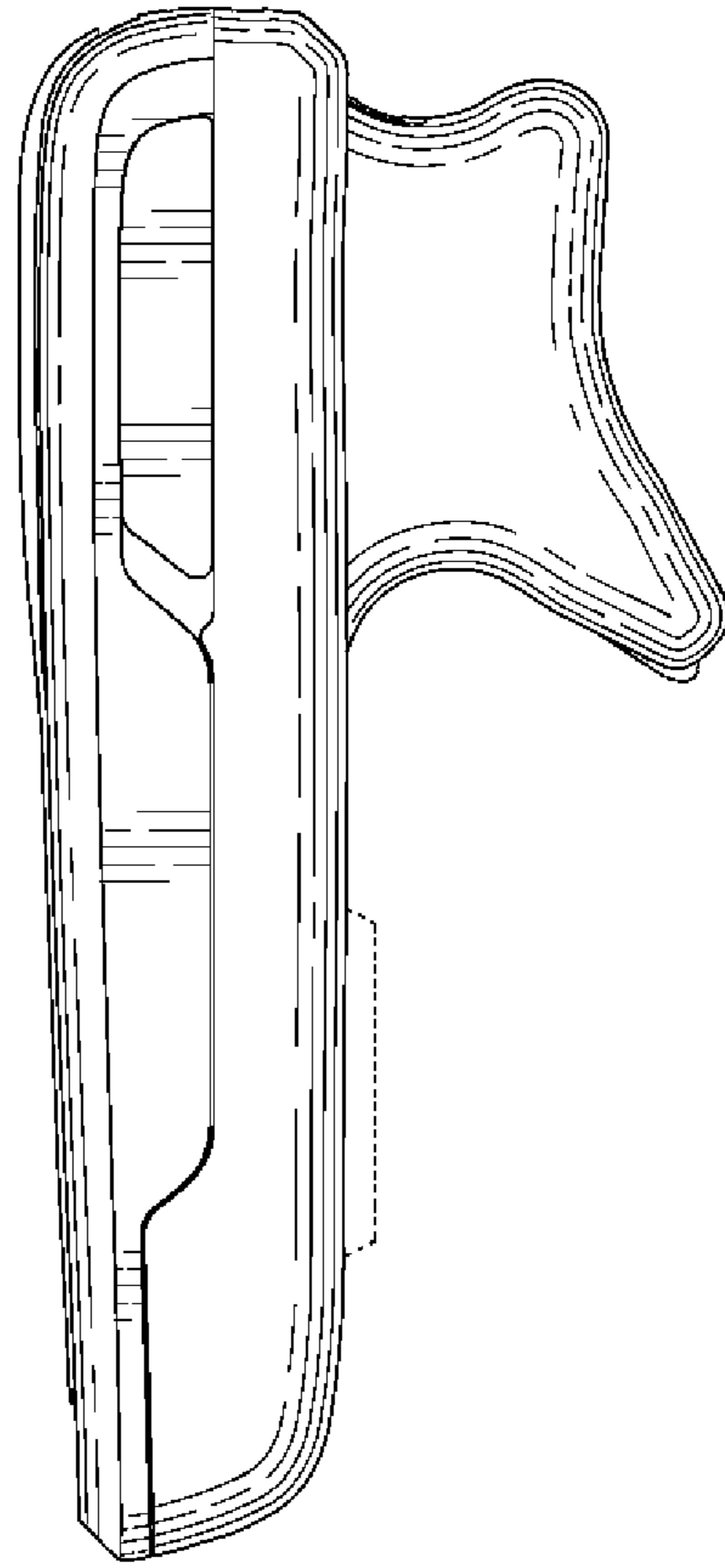


FIG. 5

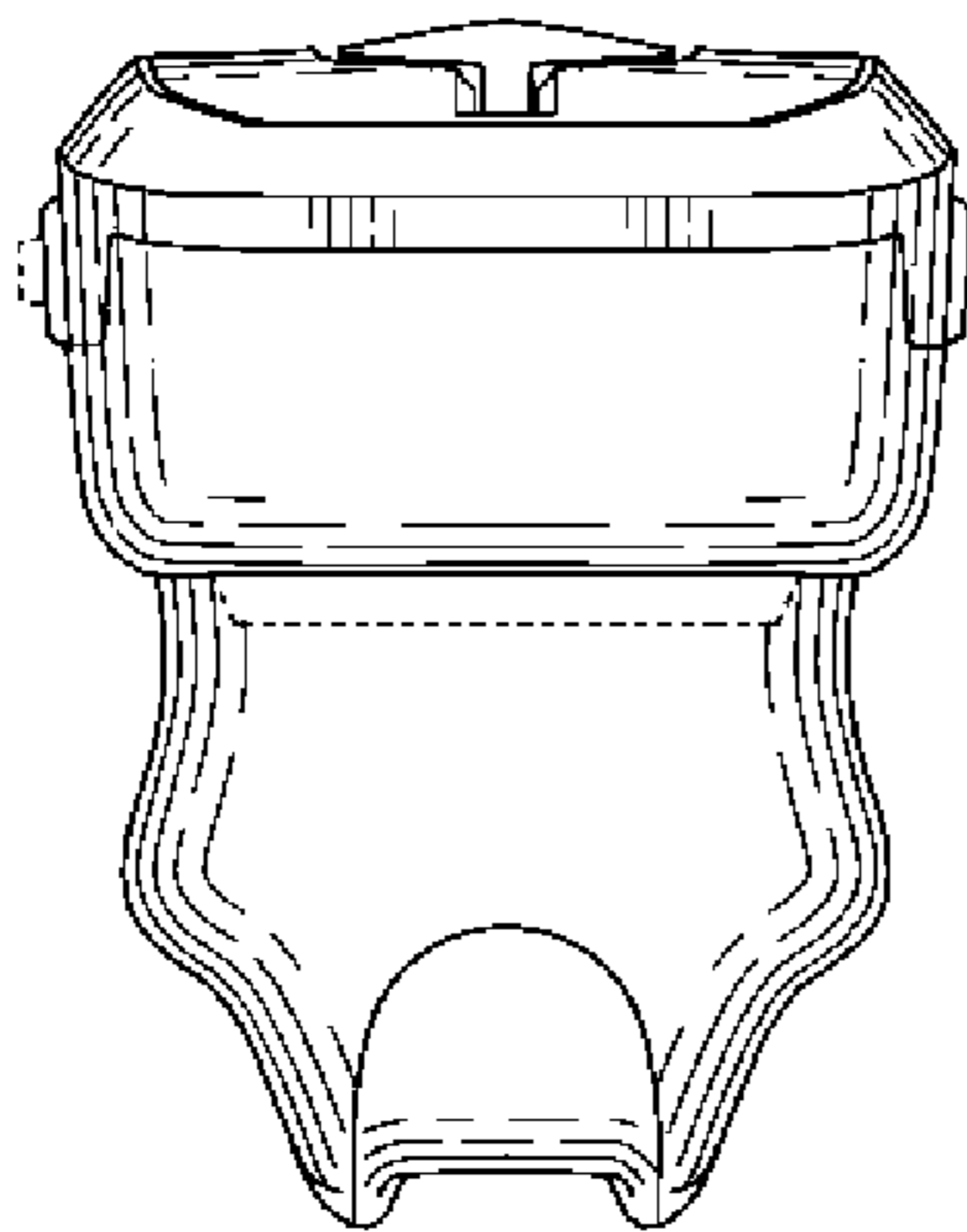


FIG. 6

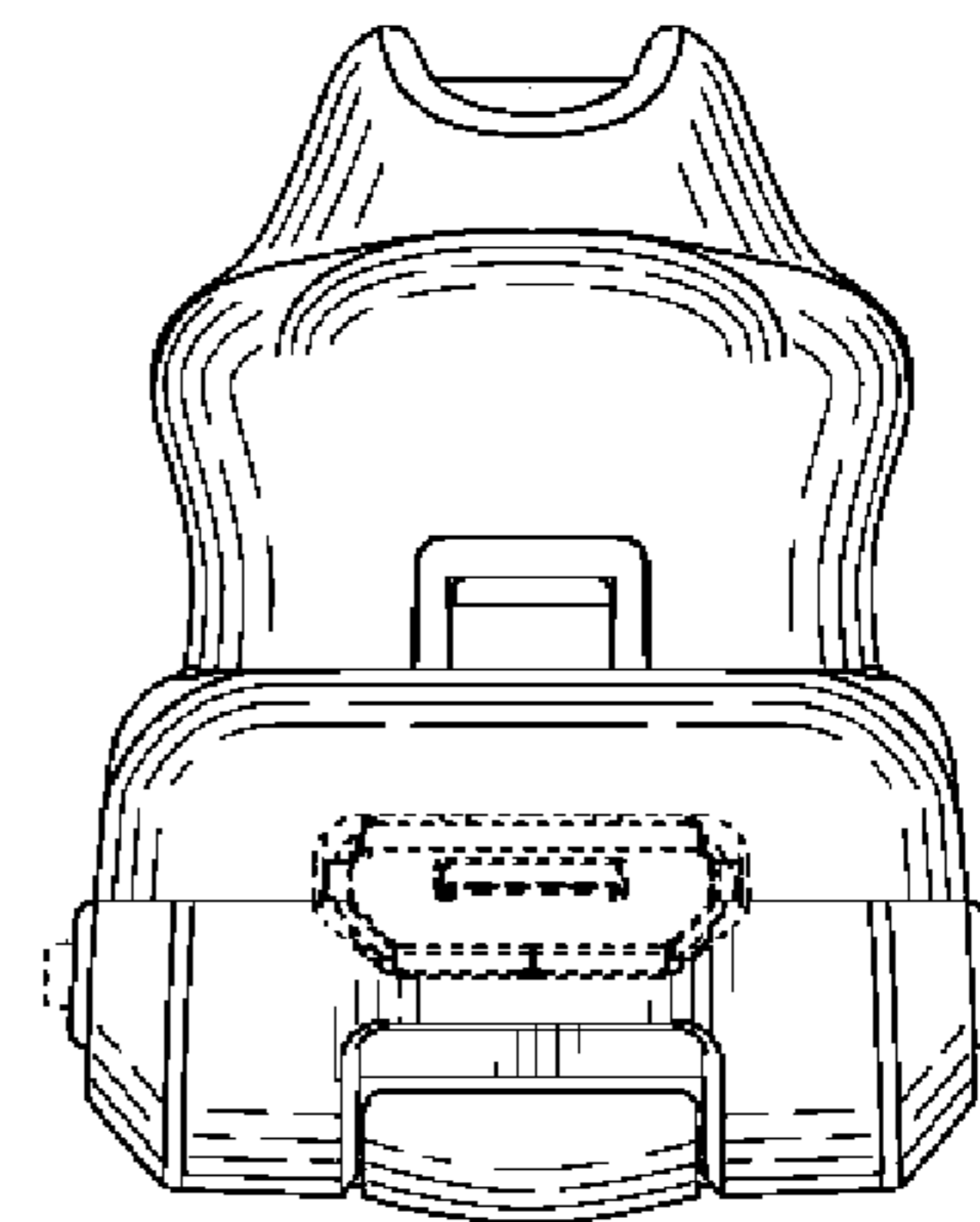


FIG. 7

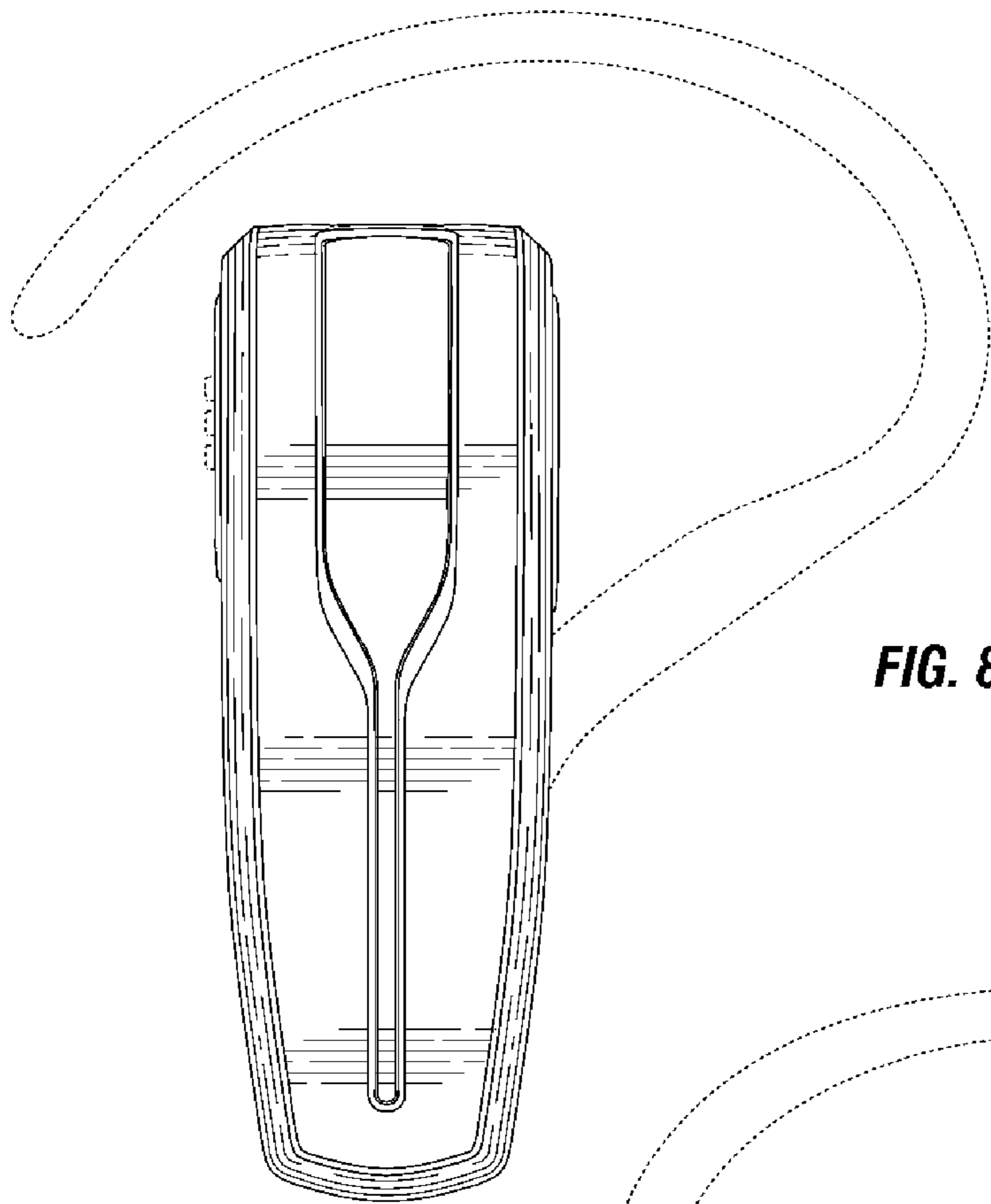


FIG. 8

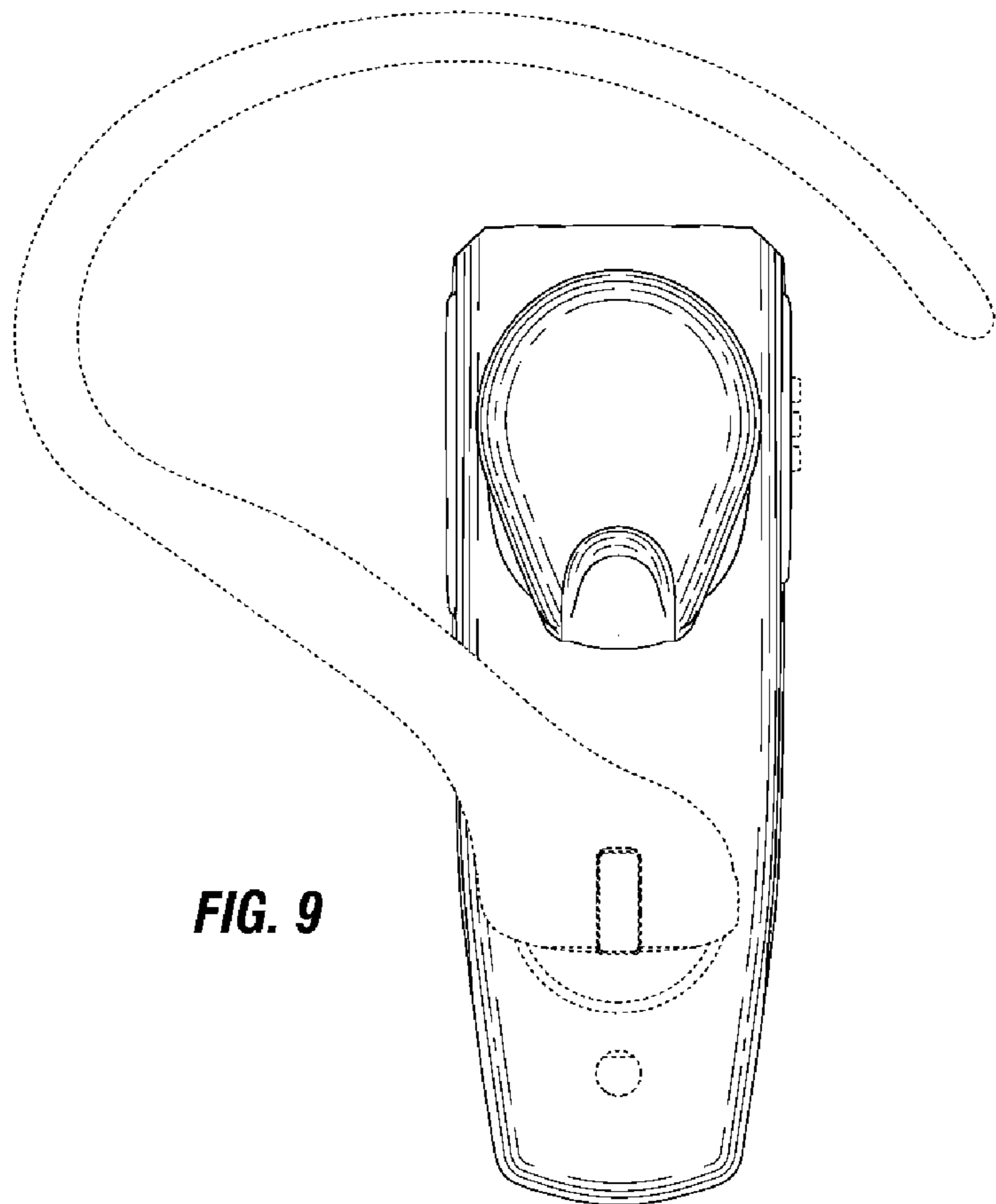


FIG. 9