



US00D625711S

(12) **United States Design Patent**
Yang

(10) **Patent No.:** **US D625,711 S**
(45) **Date of Patent:** **** Oct. 19, 2010**

- (54) **COMMUNICATIONS HEADSET**
- (75) Inventor: **Joseph Yang**, San Jose, CA (US)
- (73) Assignee: **Plantronics, Inc.**, Santa Cruz, CA (US)
- (**) Term: **14 Years**
- (21) Appl. No.: **29/354,905**
- (22) Filed: **Jan. 29, 2010**
- (51) **LOC (9) Cl.** **14-01**
- (52) **U.S. Cl.** **D14/223**
- (58) **Field of Classification Search** D14/205,
D14/206, 223; 181/129, 130, 135; 379/430;
381/380, 381; 455/575.1, 575.2, 90.3
See application file for complete search history.

(56) **References Cited**

U.S. PATENT DOCUMENTS

D554,626	S	*	11/2007	Christopher et al.	D14/223
D555,150	S	*	11/2007	Christopher et al.	D14/223
D555,151	S	*	11/2007	Eklund et al.	D14/223
D562,310	S	*	2/2008	Moon et al.	D14/223
D566,692	S	*	4/2008	Sade et al.	D14/223
D569,842	S	*	5/2008	Yang	D14/205
D574,366	S	*	8/2008	Sade et al.	D14/223
D578,516	S	*	10/2008	Christopher	D14/223
D582,899	S	*	12/2008	Wai	D14/223
D590,378	S	*	4/2009	Bradford	D14/223
D596,166	S	*	7/2009	Henning	D14/223
D598,900	S	*	8/2009	Wikel et al.	D14/223
D600,682	S	*	9/2009	Wai	D14/223
D602,476	S	*	10/2009	Lee et al.	D14/223
D604,722	S	*	11/2009	Mistry	D14/223

D606,050	S	*	12/2009	Nousiainen	D14/223
D618,221	S	*	6/2010	Fahrendorff et al.	D14/223
D619,998	S	*	7/2010	Birger	D14/223
D622,266	S	*	8/2010	Tzeng et al.	D14/223
D622,706	S	*	8/2010	Tzeng et al.	D14/223

* cited by examiner

Primary Examiner—Paula Greene

(74) *Attorney, Agent, or Firm*—Michael Rodriguez

(57) **CLAIM**

The ornamental design for a communications headset, as shown and described.

DESCRIPTION

FIG. 1 is front-bottom-right perspective view of a communications headset showing our new design;

FIG. 2 is a right side view thereof;

FIG. 3 is a left side view thereof;

FIG. 4 is a top view thereof;

FIG. 5 is a bottom view thereof;

FIG. 6 is a front view thereof;

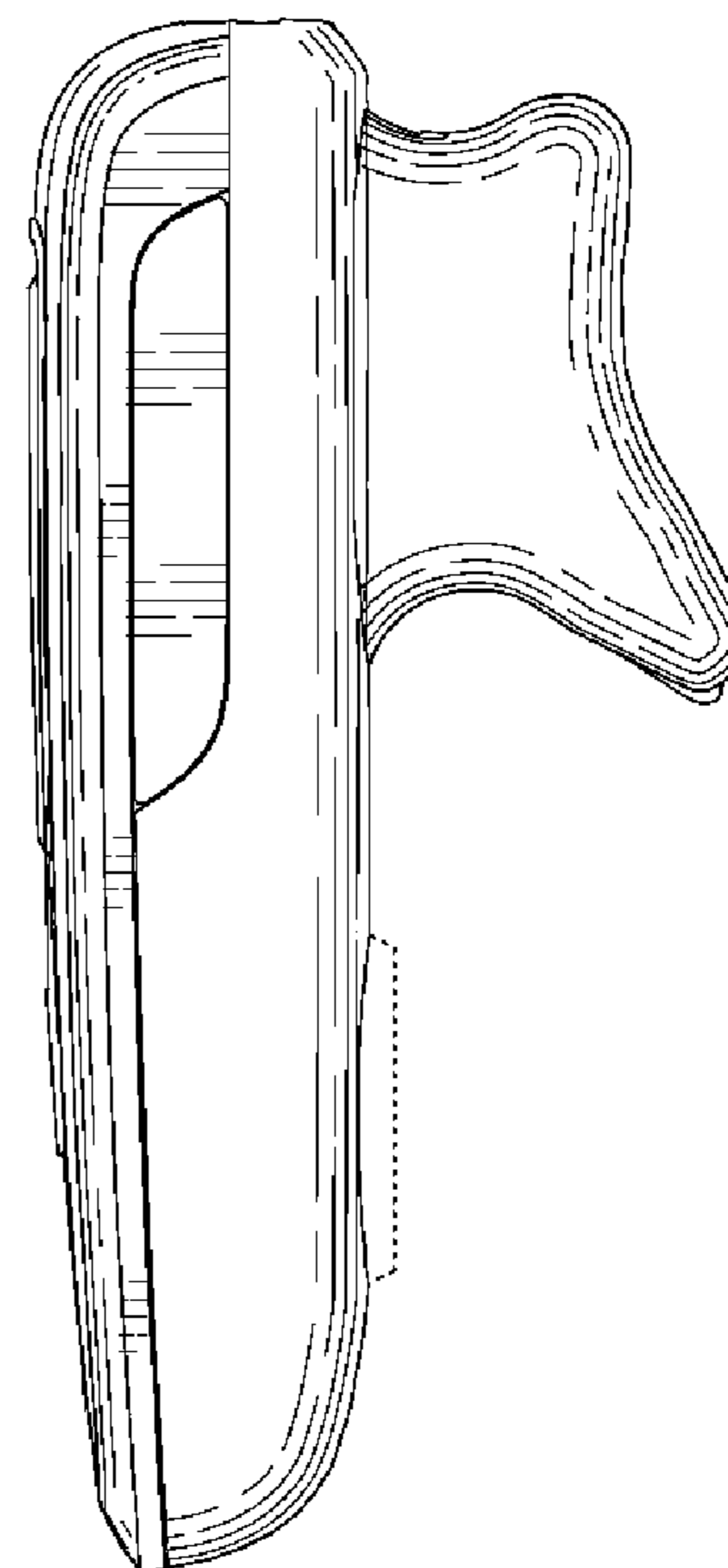
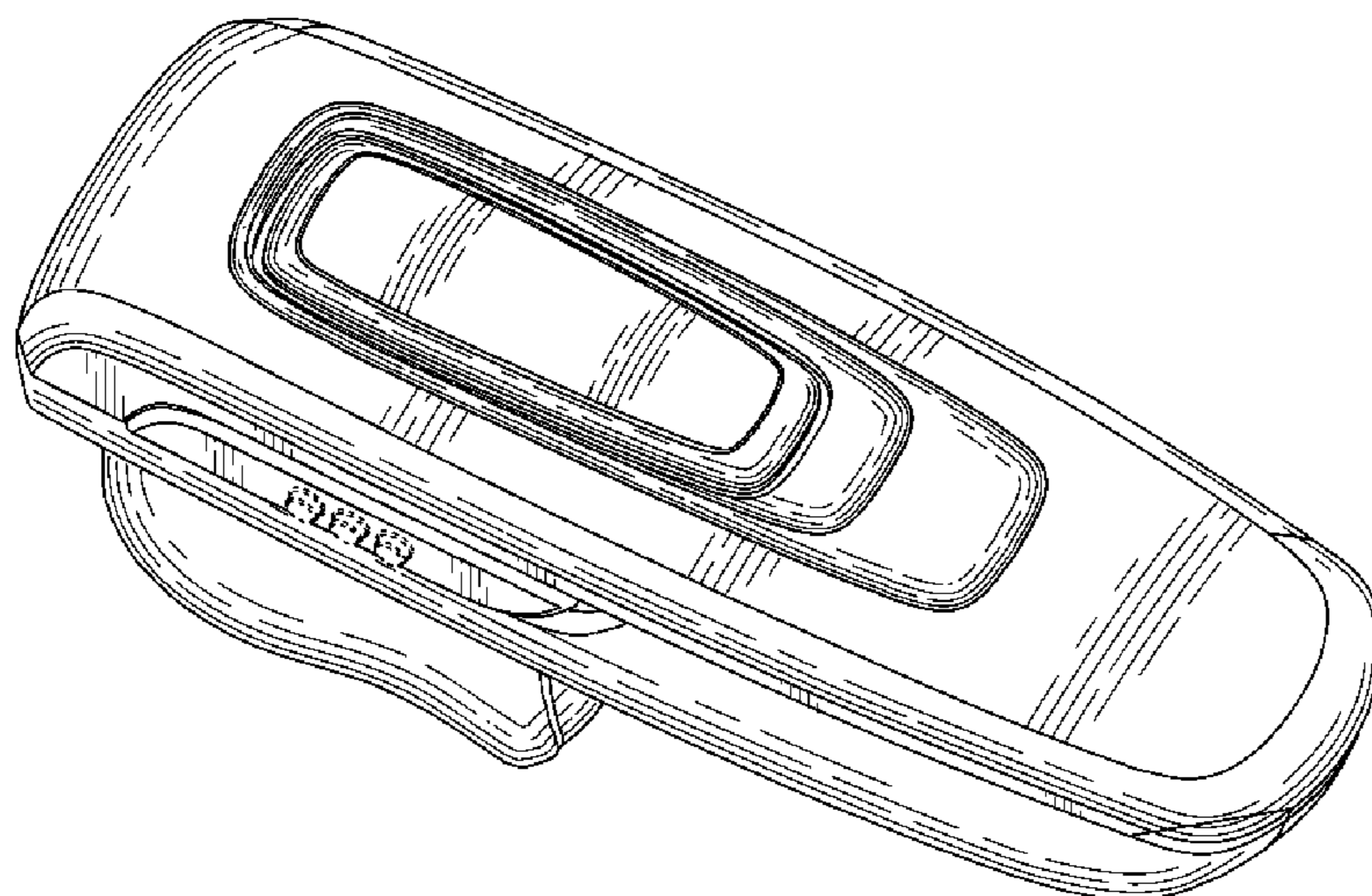
FIG. 7 is a back view thereof;

FIG. 8 is a right side view thereof, with the ear loop in broken lines; and,

FIG. 9 is a left side view thereof with the ear loop in broken lines.

The broken lines showing of the unclaimed environment forms no part of the claimed design.

1 Claim, 3 Drawing Sheets



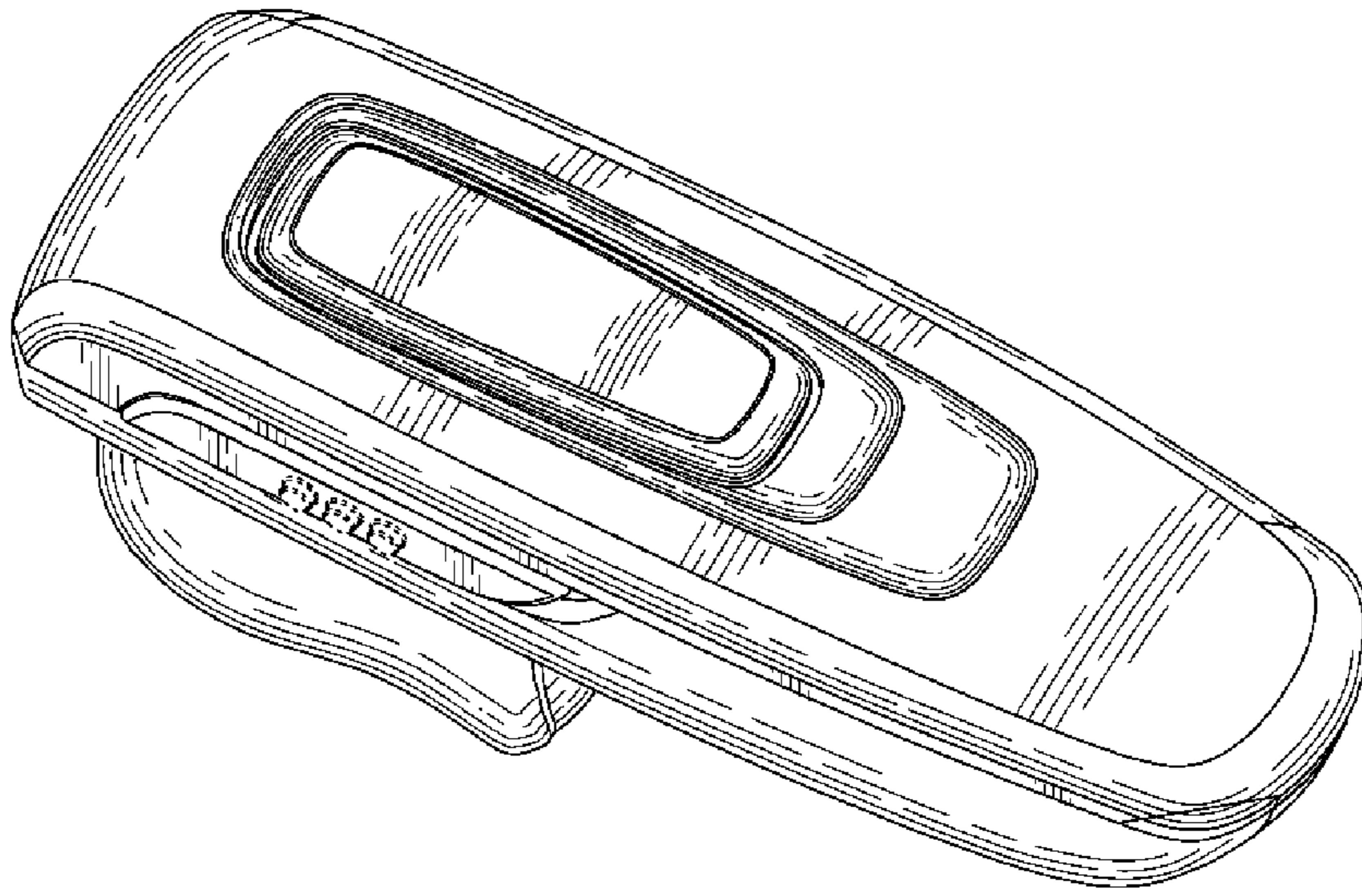


FIG. 1

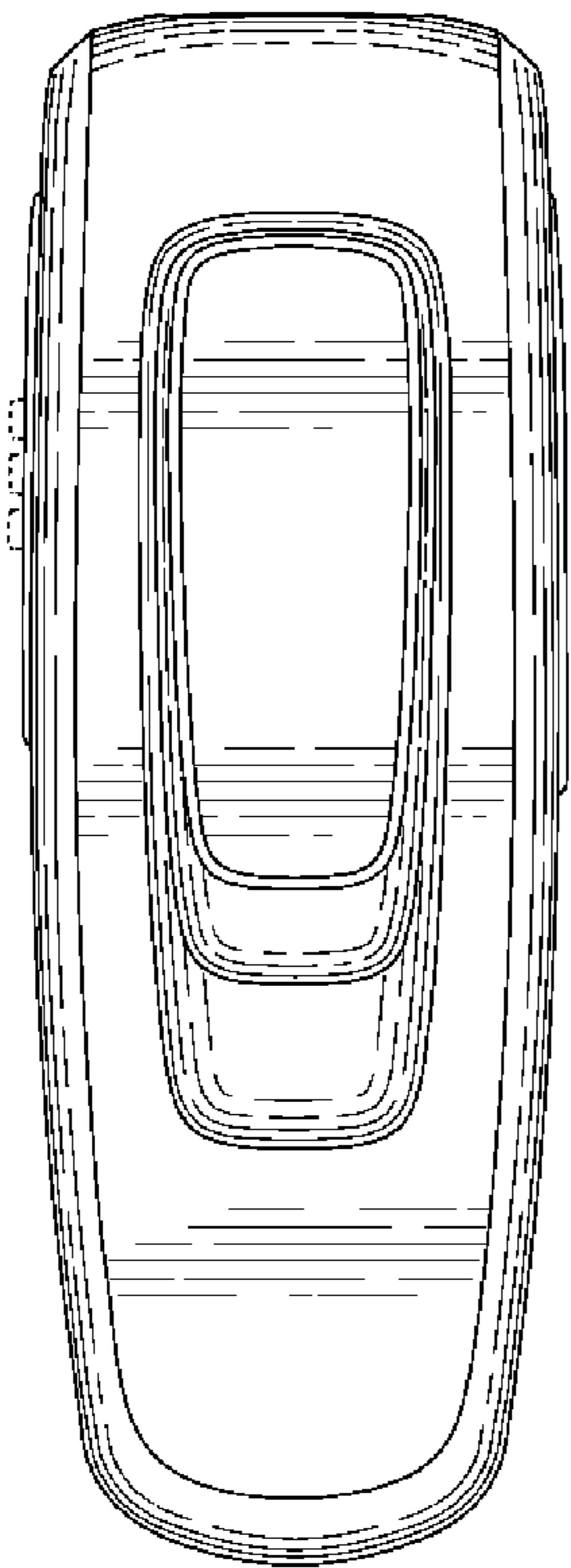


FIG. 2

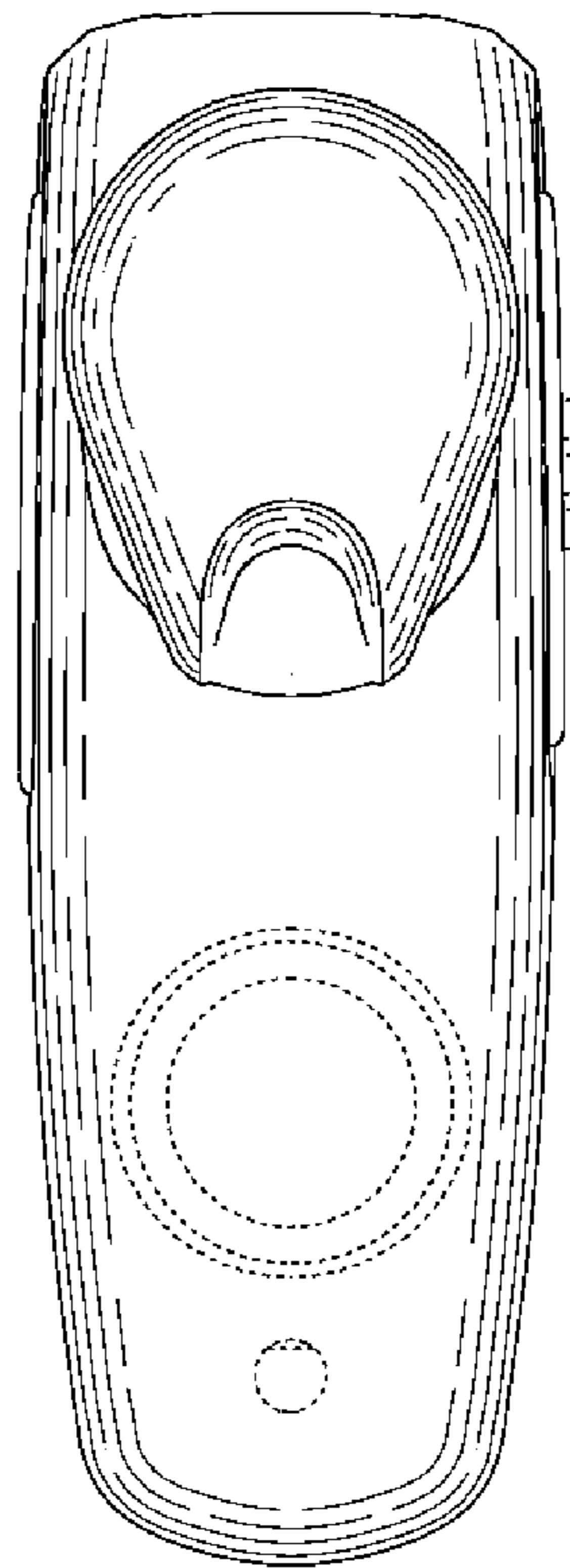


FIG. 3

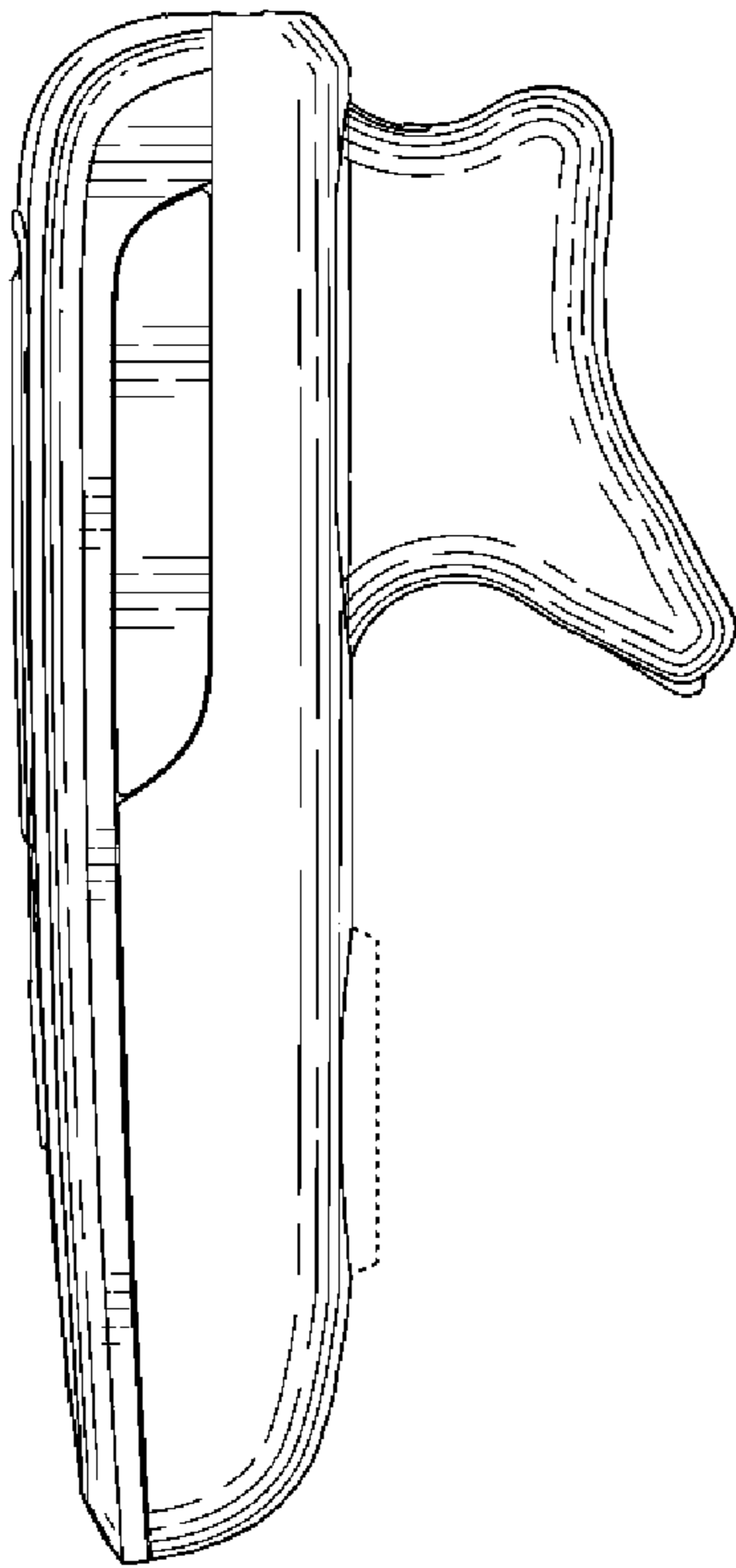


FIG. 4

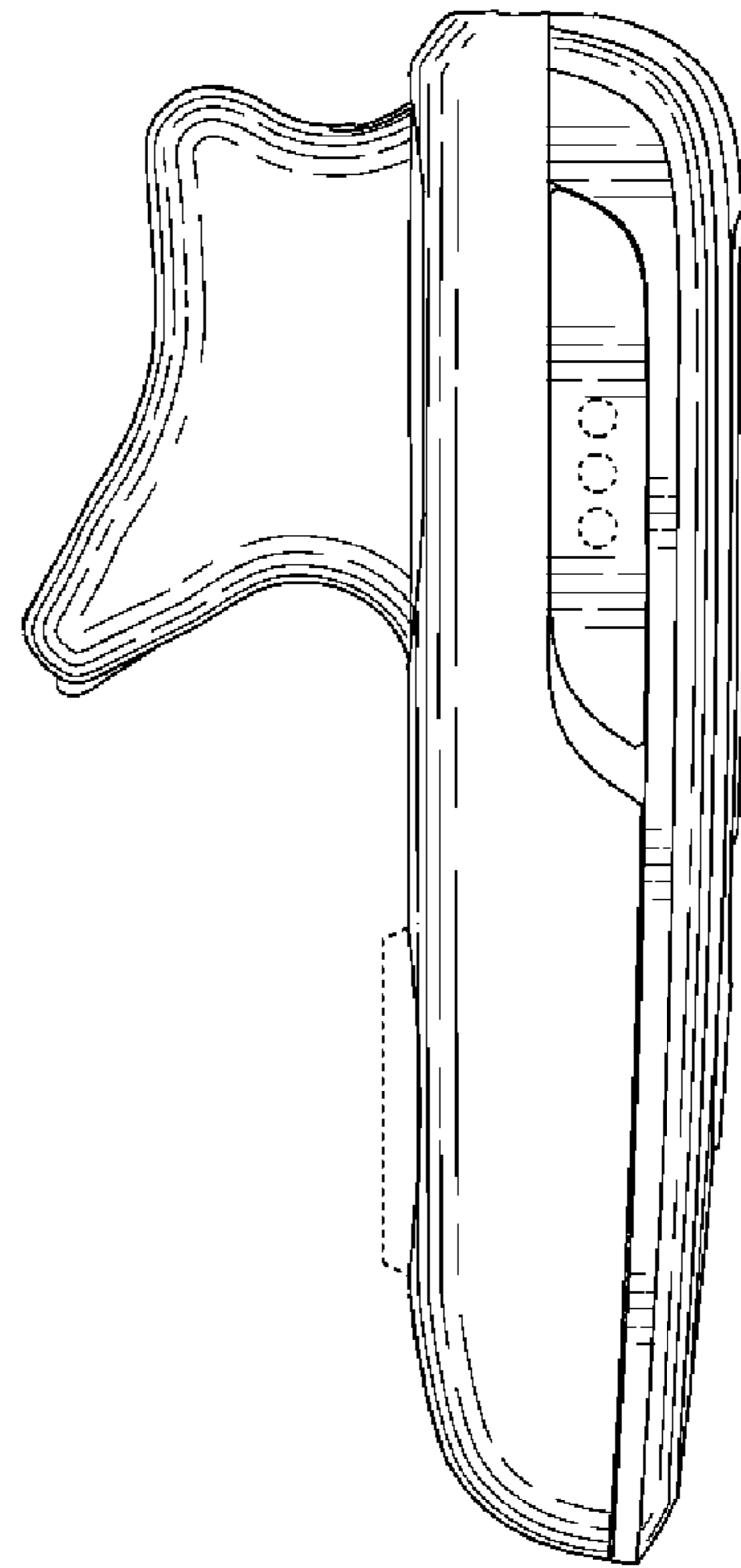


FIG. 5

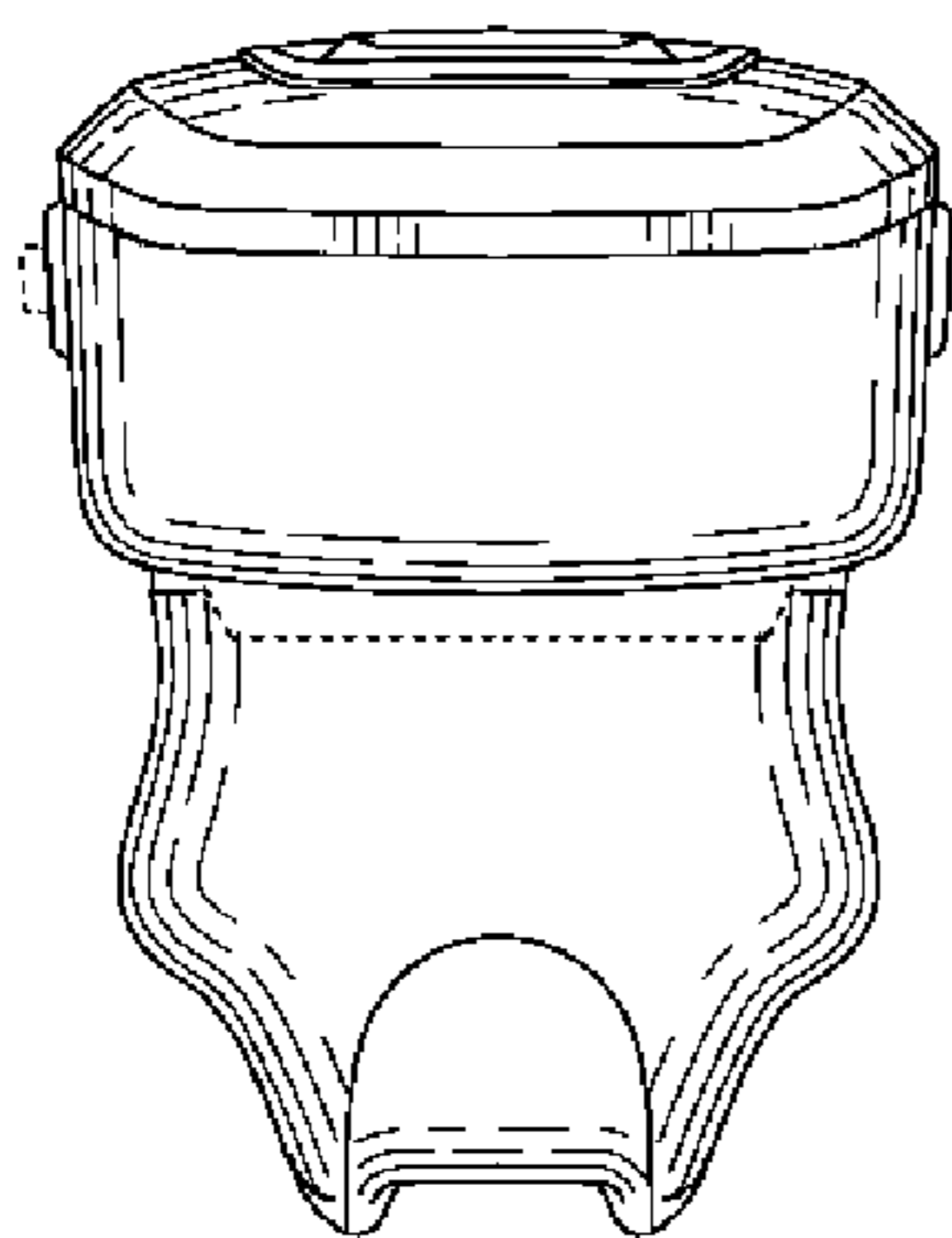


FIG. 6

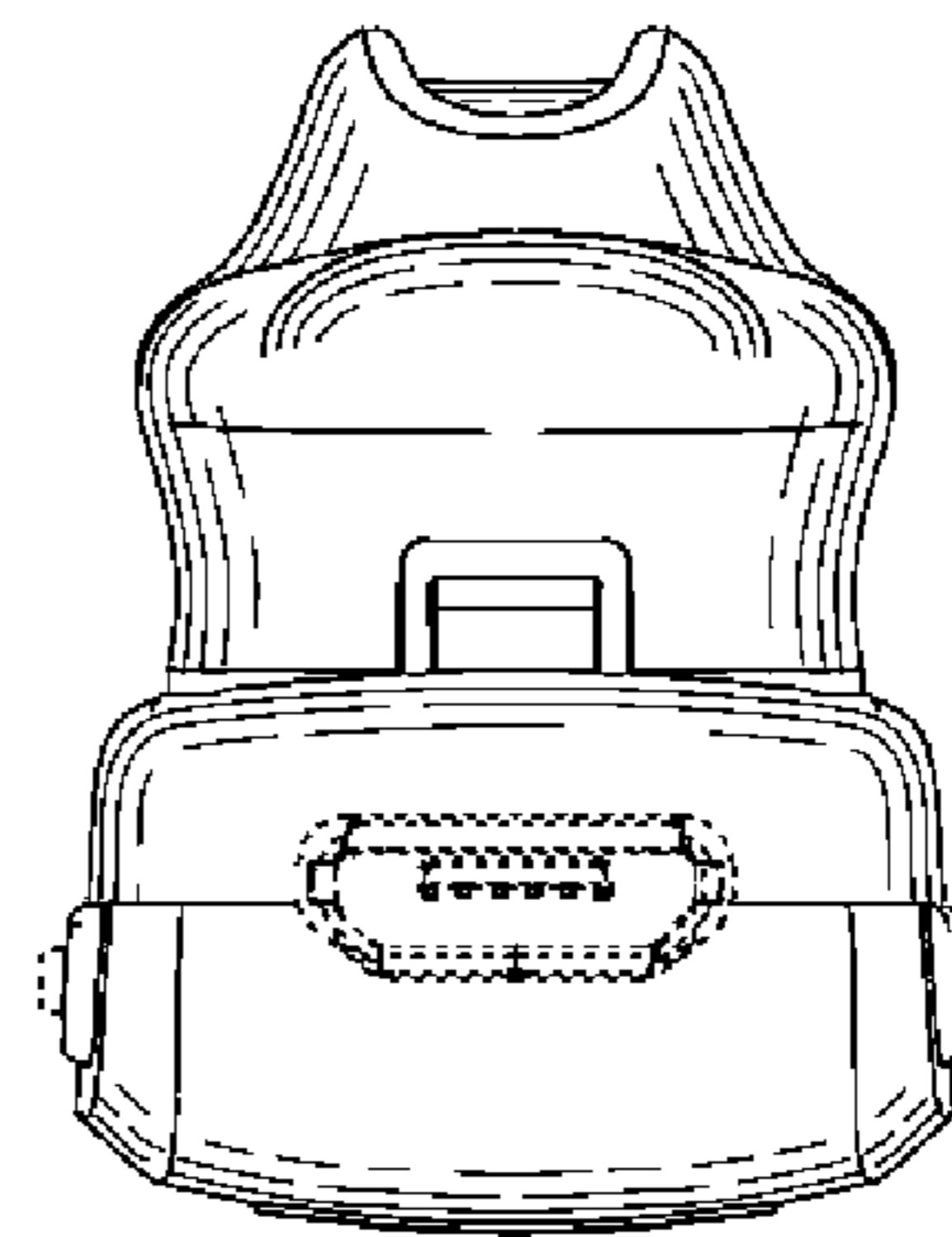


FIG. 7

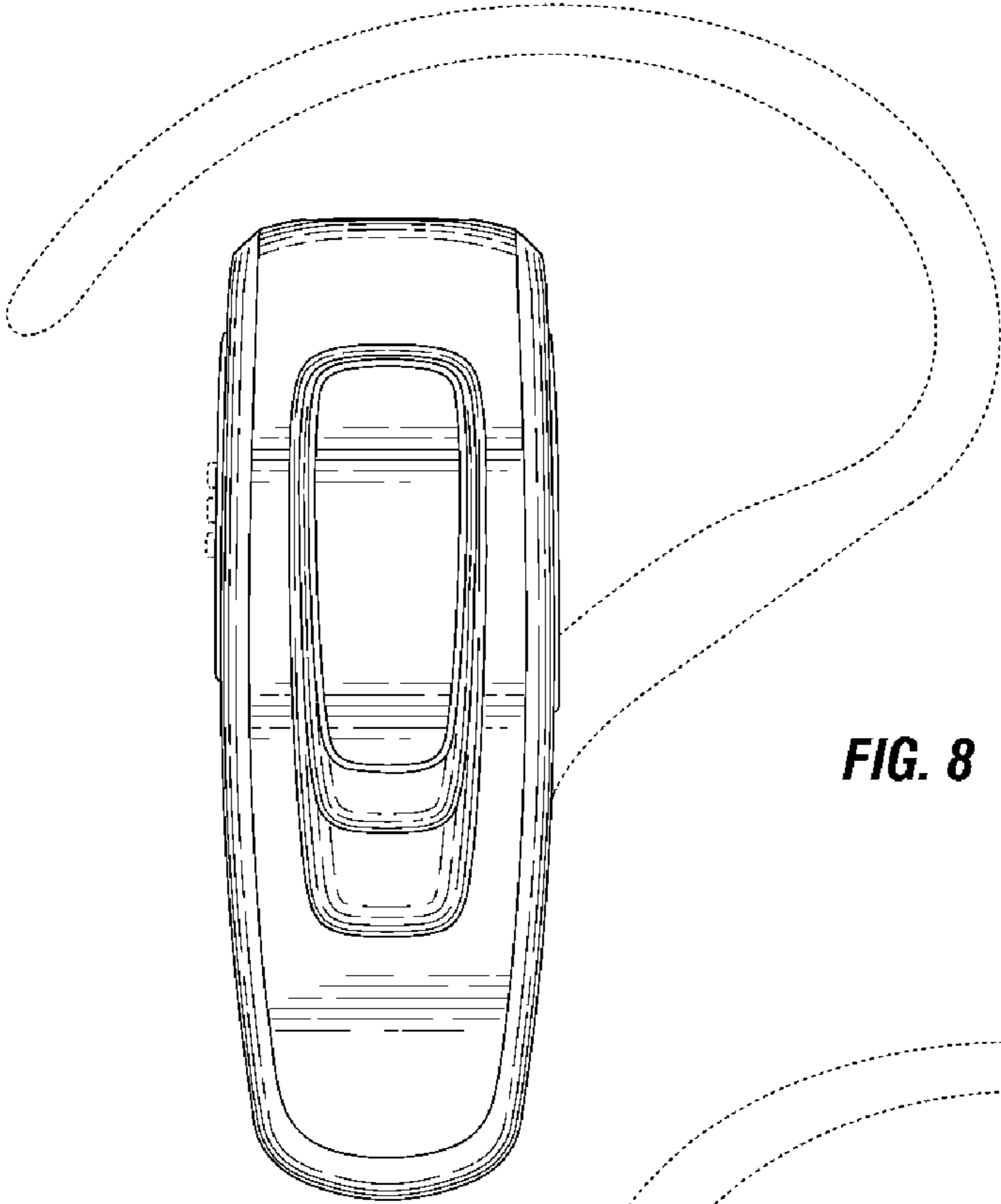


FIG. 8

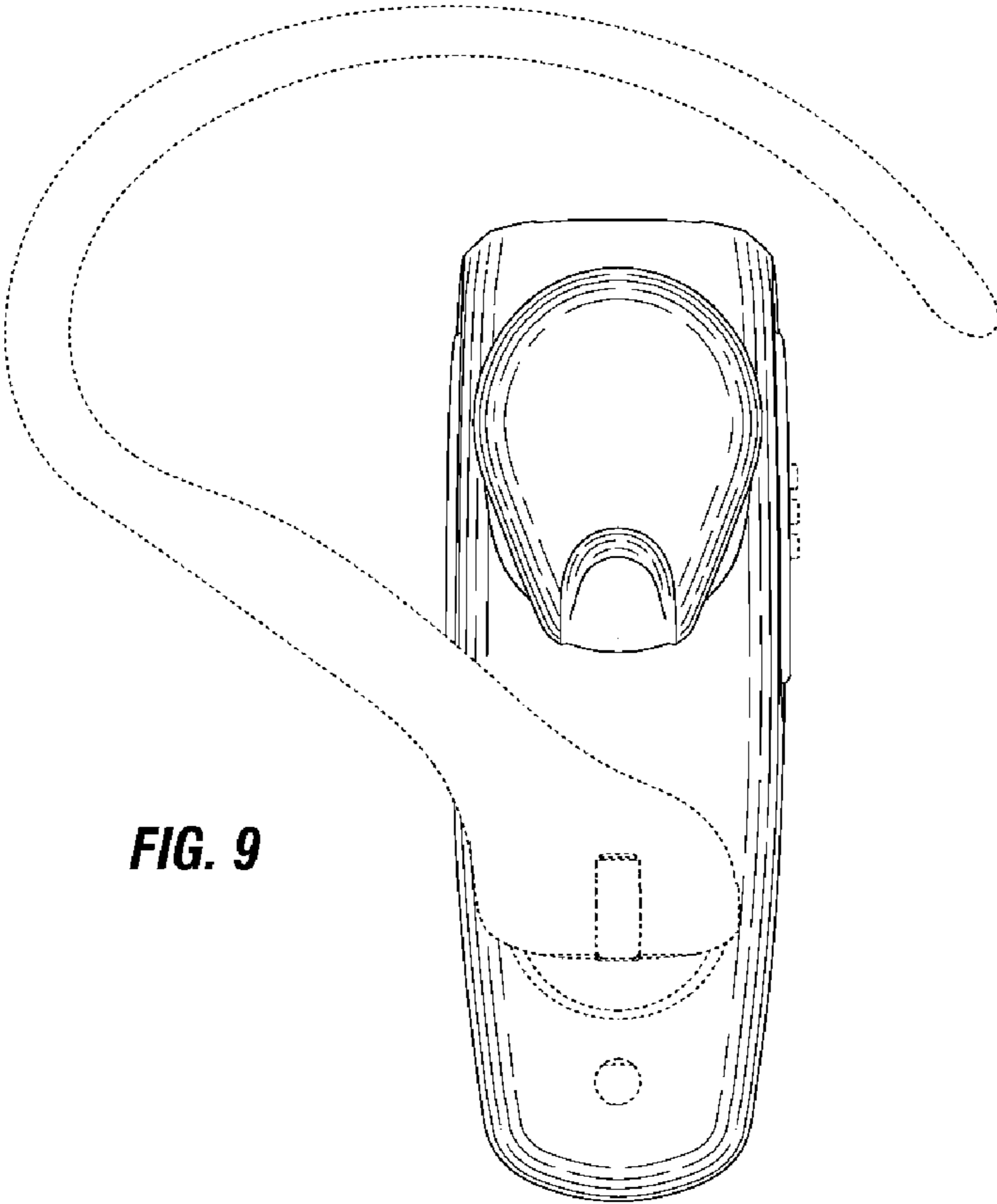


FIG. 9