



US00D625708S

(12) **United States Design Patent**  
**Files**

(10) **Patent No.:** **US D625,708 S**

(45) **Date of Patent:** **\*\* Oct. 19, 2010**

(54) **SADDLEBAG LID SPEAKER HOUSING FOR A MOTORCYCLE**

(76) Inventor: **Edward M. Files**, 4818 NE. Pebble Beach St., Lee's Summit, MO (US) 64064

(\*\*) Term: **14 Years**

(21) Appl. No.: **29/355,327**

(22) Filed: **Feb. 5, 2010**

(51) **LOC (9) Cl.** ..... **14-01**

(52) **U.S. Cl.** ..... **D14/214; D12/114**

(58) **Field of Classification Search** ..... D14/204, D14/210–216, 157, 257, 258, 168, 172; 181/143–144, 181/147–148, 150–153, 157, 198–199; 381/300–303, 381/306, 332–333, 336, 345–346, 361–364, 381/386–388; D12/110, 114, 126, 407, 409–410, D12/415

See application file for complete search history.

(56) **References Cited**

**U.S. PATENT DOCUMENTS**

D304,033	S	*	10/1989	Villanueva et al.	.....	D14/157
5,001,779	A	*	3/1991	Eggert et al.	.....	455/346
D432,521	S	*	10/2000	Azumi	.....	D14/214
D461,748	S	*	8/2002	Morgan	.....	D12/114
D474,998	S	*	5/2003	Green	.....	D12/114

**OTHER PUBLICATIONS**

Schematic diagram printed out from website [www.bikebandit.com](http://www.bikebandit.com) showing a factory saddlebag lid for a 1995 Harley Davidson FLHT

motorcycle, on sale more than one year prior to the filing date of the present application.

\* cited by examiner

*Primary Examiner*—Nanda Bondade

(74) *Attorney, Agent, or Firm*—Erickson, Kernell, Derousseau & Kleypas, LLC

(57) **CLAIM**

The ornamental design for a saddlebag lid speaker housing for a motorcycle, as shown and described.

**DESCRIPTION**

FIG. 1 is a right front perspective view of a saddlebag lid speaker housing for a motorcycle according to the present invention shown in position of use on a saddlebag; the saddlebag is shown in broken lines and forms no part of the claimed design;

FIG. 2 is a front elevational view thereof;

FIG. 3 is a rear elevational view thereof;

FIG. 4 is a right side elevational view thereof;

FIG. 5 is a left side elevational view thereof;

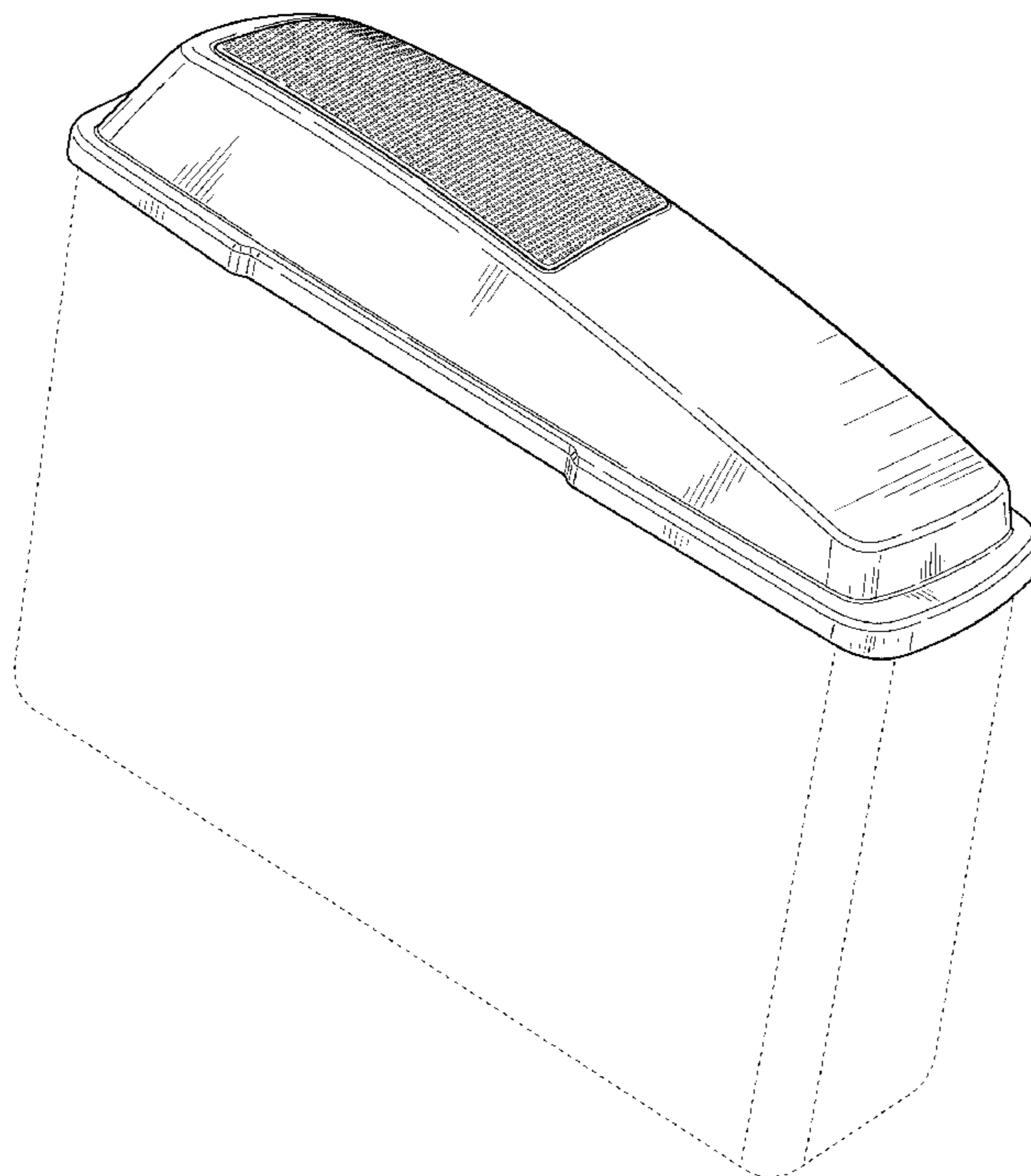
FIG. 6 is a top plan view thereof;

FIG. 7 is bottom plan view thereof; and,

FIG. 8 is a right rear perspective view thereof.

The broken line showing of the saddlebag and audio speaker on the drawing disclosure is for illustrative purposes only and forms no part of the claimed design.

**1 Claim, 4 Drawing Sheets**



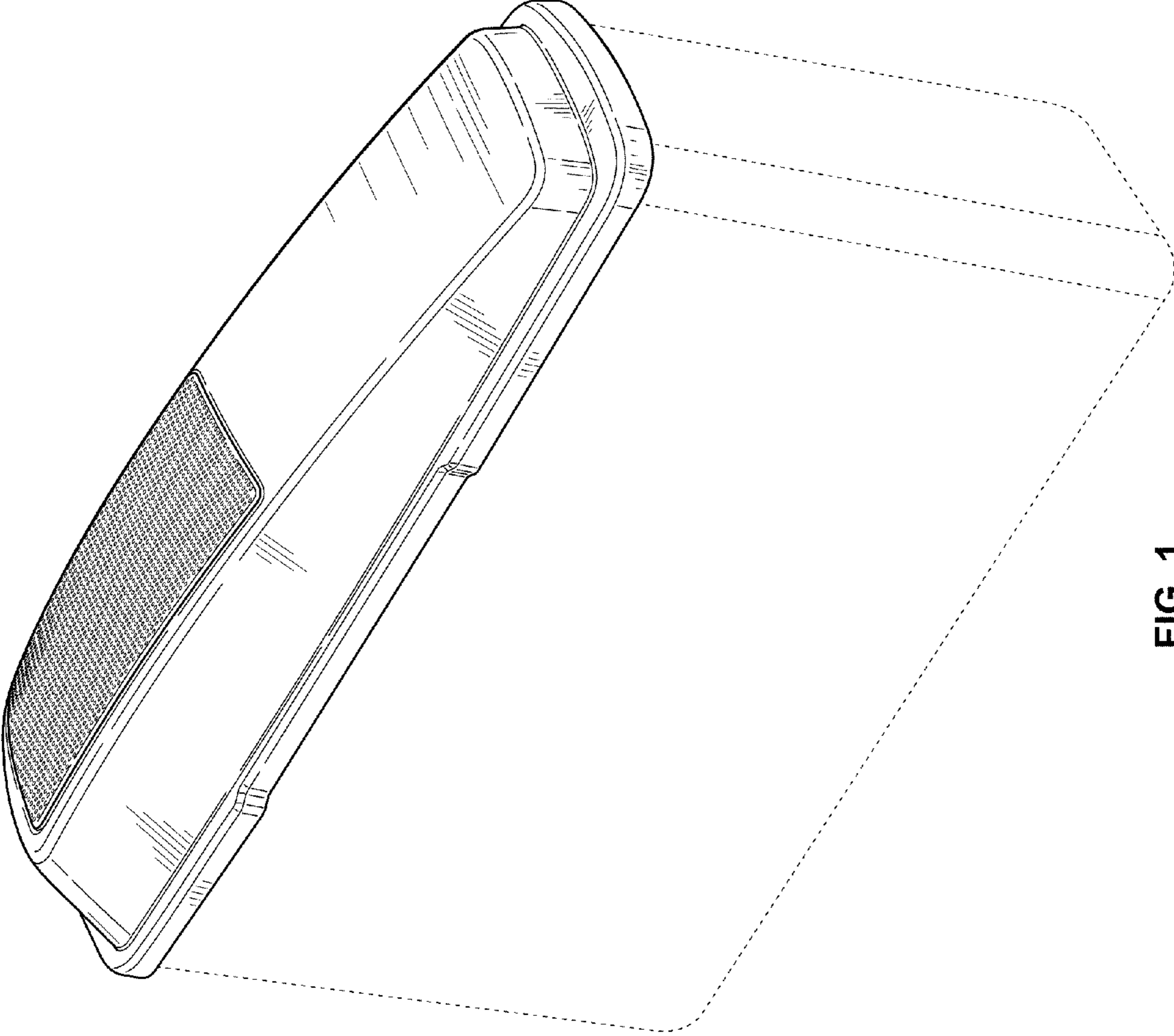


FIG. 1

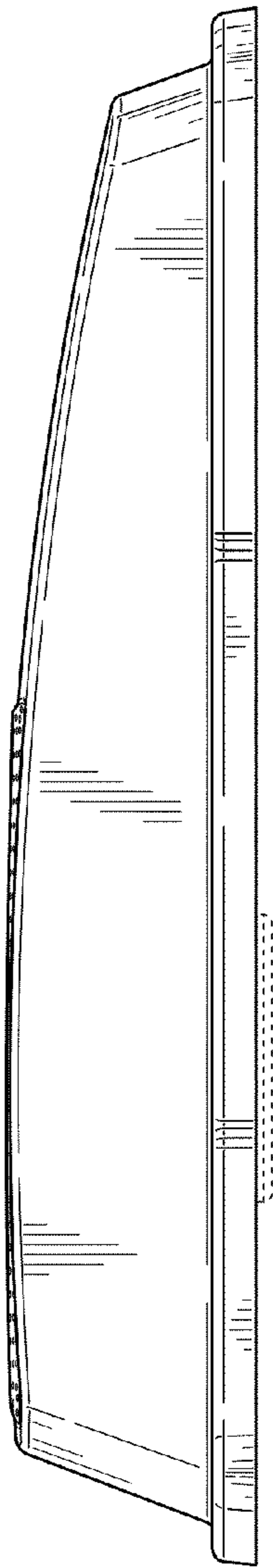


FIG. 2

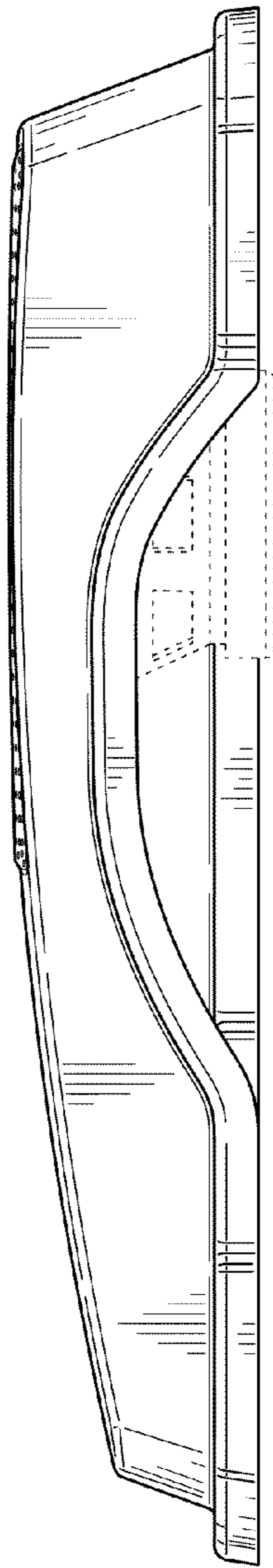


FIG. 3

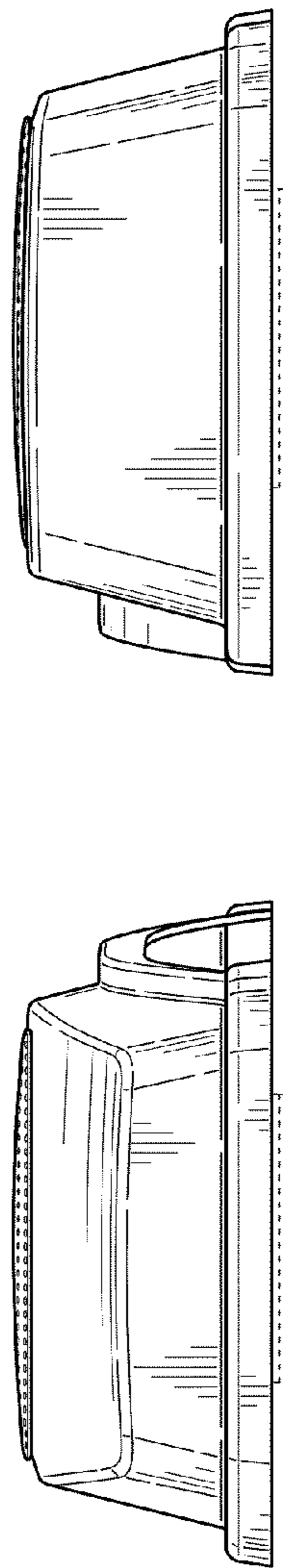


FIG. 4

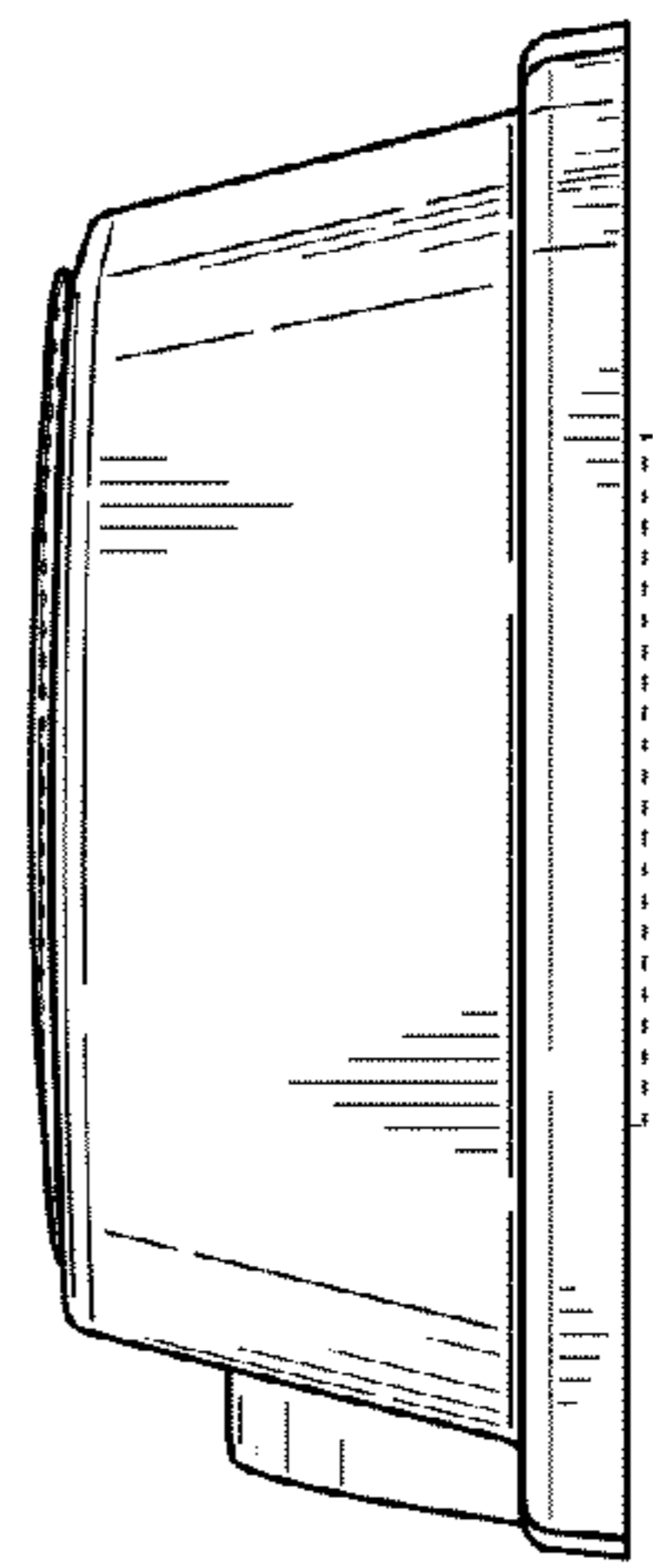


FIG. 5

FIG. 6

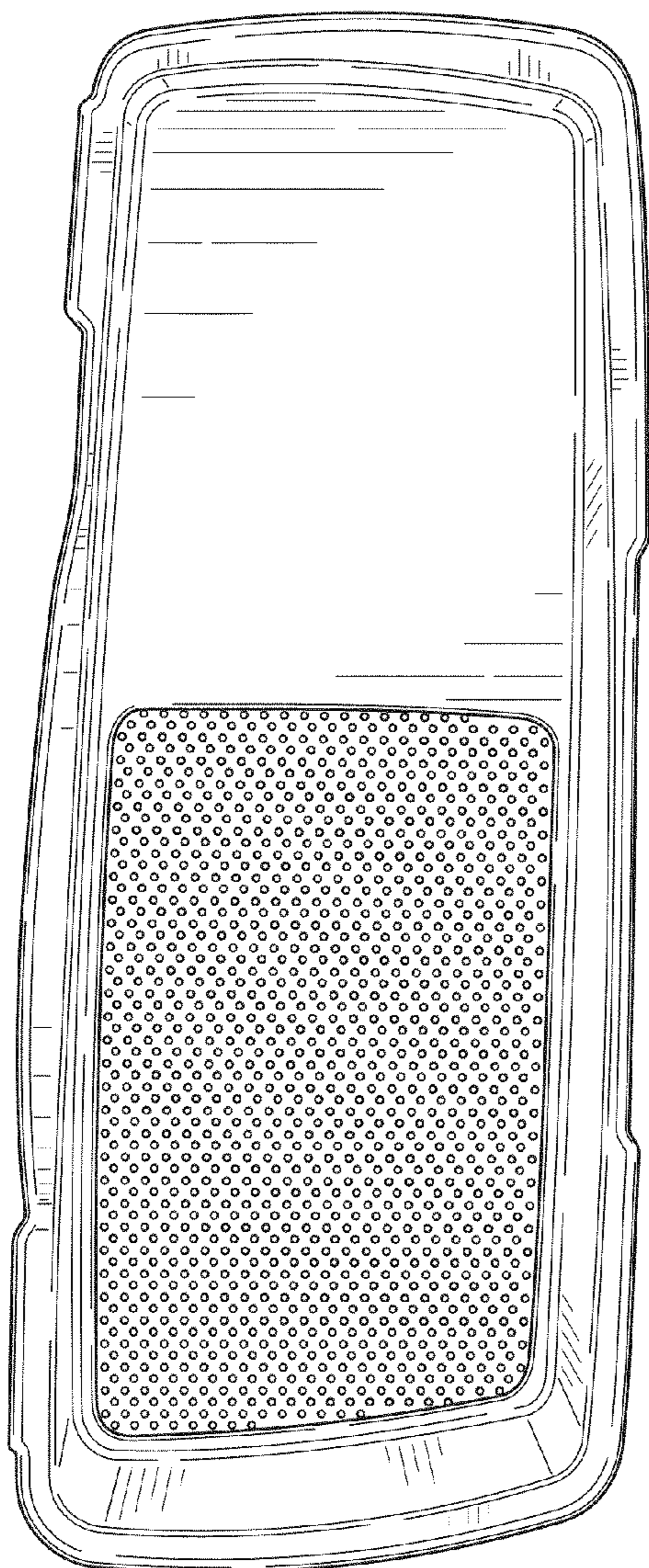
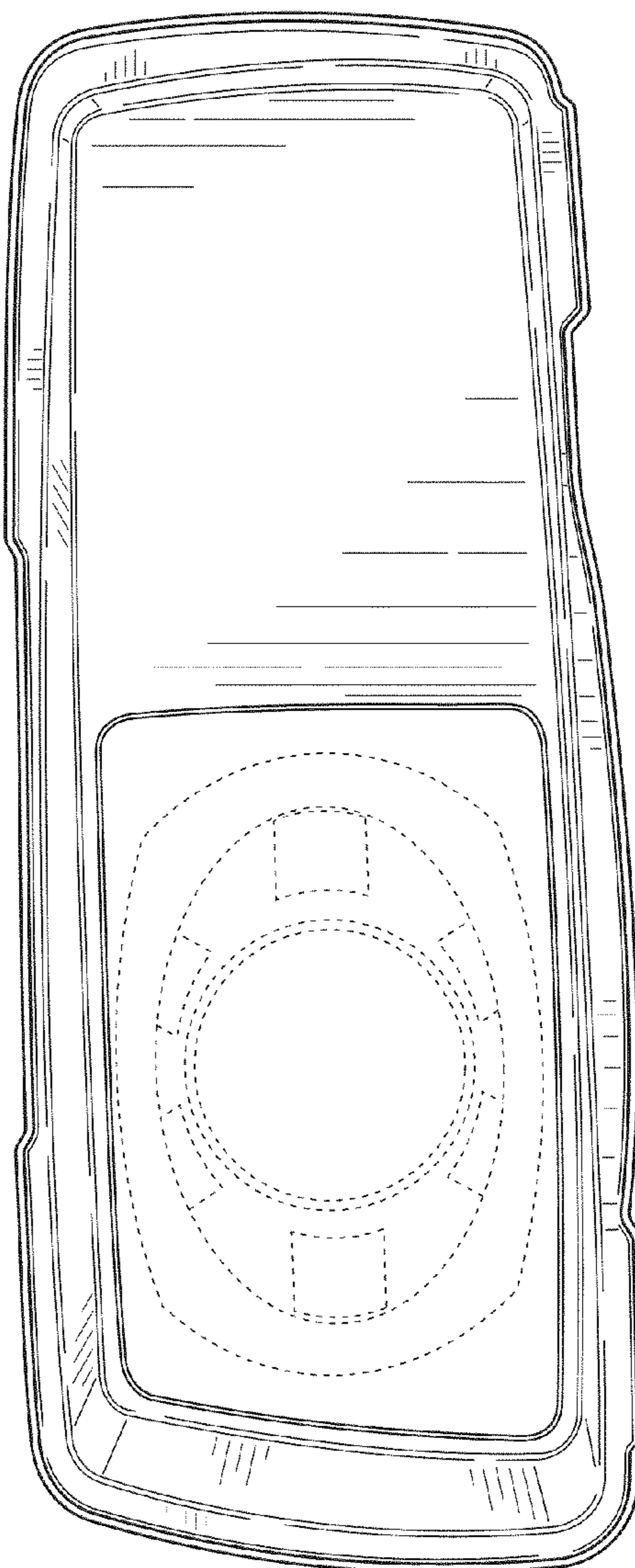


FIG. 7



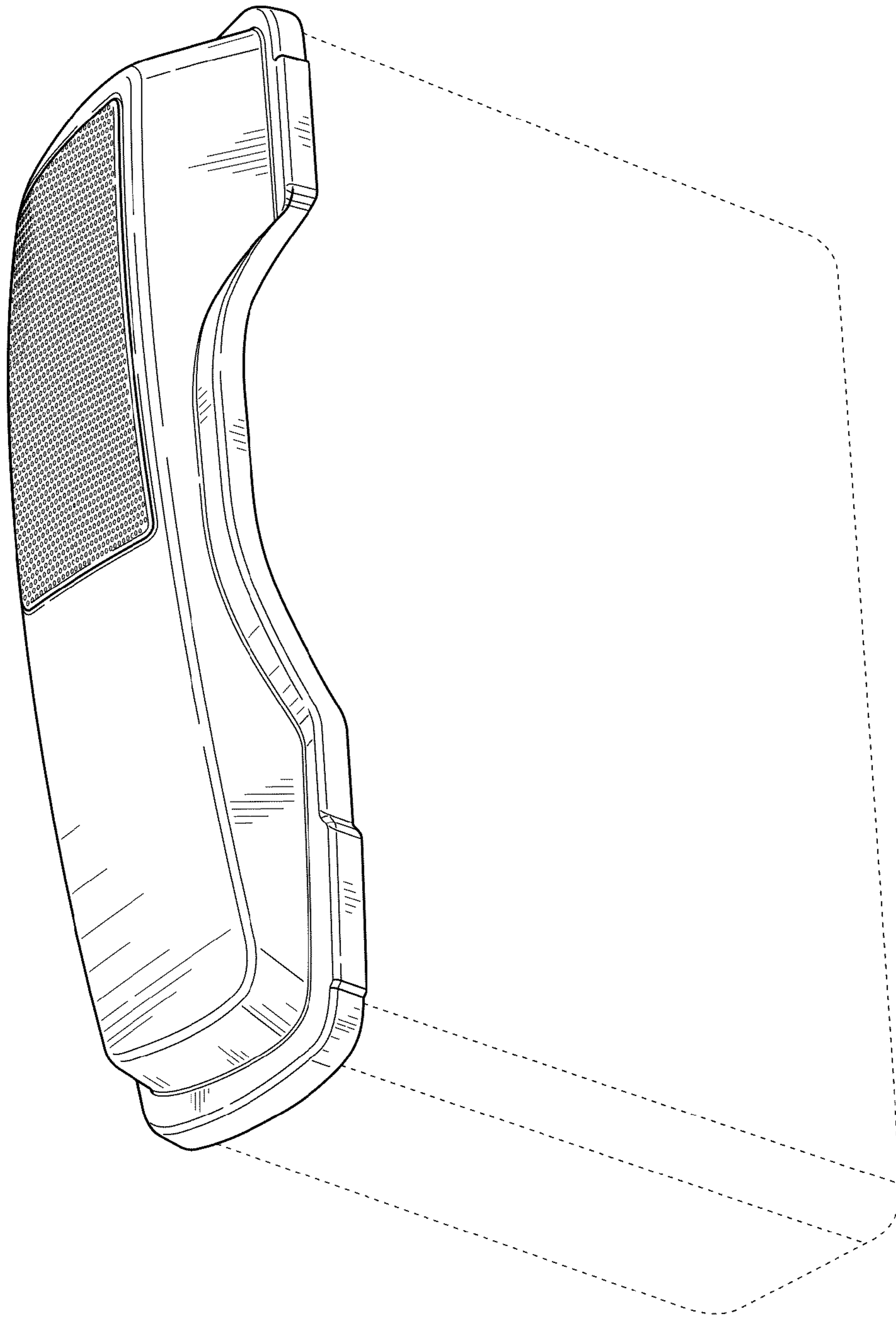


FIG. 8