



US00D625705S

(12) **United States Design Patent**  
**Ohori et al.**

(10) **Patent No.:** **US D625,705 S**  
(45) **Date of Patent:** **\*\* Oct. 19, 2010**

(54) **HEADPHONE**

(75) Inventors: **Taira Ohori**, Tokyo (JP); **Hisaya Hagiwara**, Kanagawa (JP)

(73) Assignee: **Kabushiki Kaisha Audio-Technica**, Tokyo (JP)

(\*\*) Term: **14 Years**

(21) Appl. No.: **29/351,813**

(22) Filed: **Dec. 11, 2009**

(30) **Foreign Application Priority Data**

Aug. 7, 2009 (JP) ..... 2009-018127

(51) **LOC (9) Cl.** ..... **14-01**

(52) **U.S. Cl.** ..... **D14/205; D14/223**

(58) **Field of Classification Search** ..... D14/205,  
D14/206, 223, 203.5; D29/112; 2/209; 181/129,  
181/130; 379/430, 431; 381/380, 381, 309,  
381/382, 383

See application file for complete search history.

(56) **References Cited**

**U.S. PATENT DOCUMENTS**

1,606,165	A *	11/1926	Glenn	.....	381/384
3,440,663	A *	4/1969	Beguin	.....	2/209
4,571,746	A *	2/1986	Gorike	.....	2/209
D328,074	S *	7/1992	Yamazaki et al.	.....	D14/205
D328,461	S *	8/1992	Daido et al.	.....	D14/205
D346,802	S *	5/1994	Sacherman et al.	.....	D14/206
5,369,857	A *	12/1994	Sacherman et al.	.....	29/594
D399,206	S *	10/1998	Yasutomi et al.	.....	D14/205
6,449,806	B1 *	9/2002	Engelhard et al.	.....	24/3.1
D484,485	S *	12/2003	Matsuoka	.....	D14/205
D504,414	S *	4/2005	Yoshida	.....	D14/192
D505,411	S *	5/2005	Sakai	.....	D14/192
D510,335	S *	10/2005	Suzuki	.....	D14/205

D534,155	S *	12/2006	Obata	.....	D14/205
D557,684	S *	12/2007	Pundsack et al.	.....	D14/205
D573,581	S *	7/2008	Gondo et al.	.....	D14/205
D582,890	S *	12/2008	Koza et al.	.....	D14/205
D585,870	S *	2/2009	Zheng et al.	.....	D14/205
D585,872	S *	2/2009	Lee	.....	D14/205
D588,098	S *	3/2009	Kurihara	.....	D14/205
D588,100	S *	3/2009	Densho et al.	.....	D14/205
D591,263	S *	4/2009	Shimizu	.....	D14/205
D593,995	S *	6/2009	Shimizu	.....	D14/205
D594,847	S *	6/2009	Suzuki	.....	D14/205
D597,070	S *	7/2009	Zheng	.....	D14/205
D600,674	S *	9/2009	Brennwald	.....	D14/205

\* cited by examiner

*Primary Examiner*—Paula Greene

(74) *Attorney, Agent, or Firm*—Whitham, Curtis, Christofferson & Cook, P.C

(57) **CLAIM**

We claim the ornamental design for a headphone, as shown and described.

**DESCRIPTION**

FIG. 1 is a perspective view of a headphone;

FIG. 2 is a front elevational view of a headphone;

FIG. 3 is a rear elevational view of a headphone;

FIG. 4 is a left side elevational view of a headphone;

FIG. 5 is a right side elevational view of a headphone;

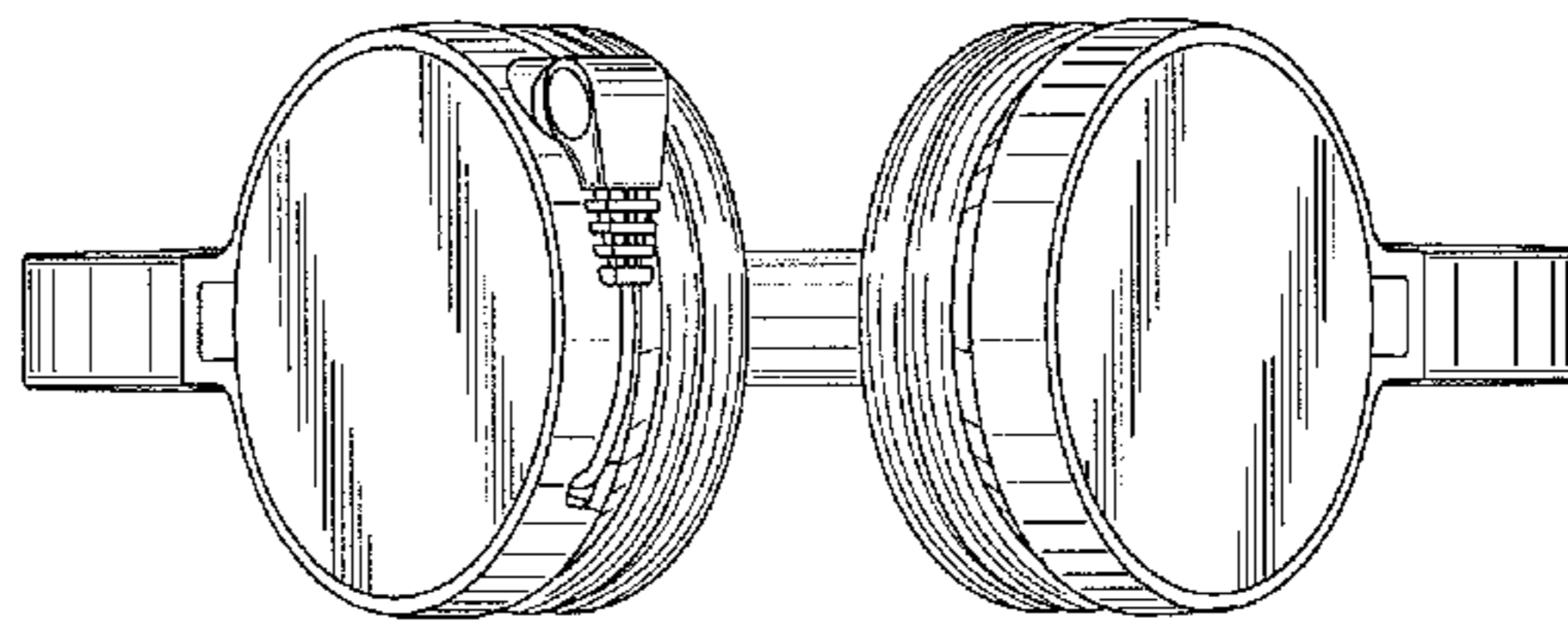
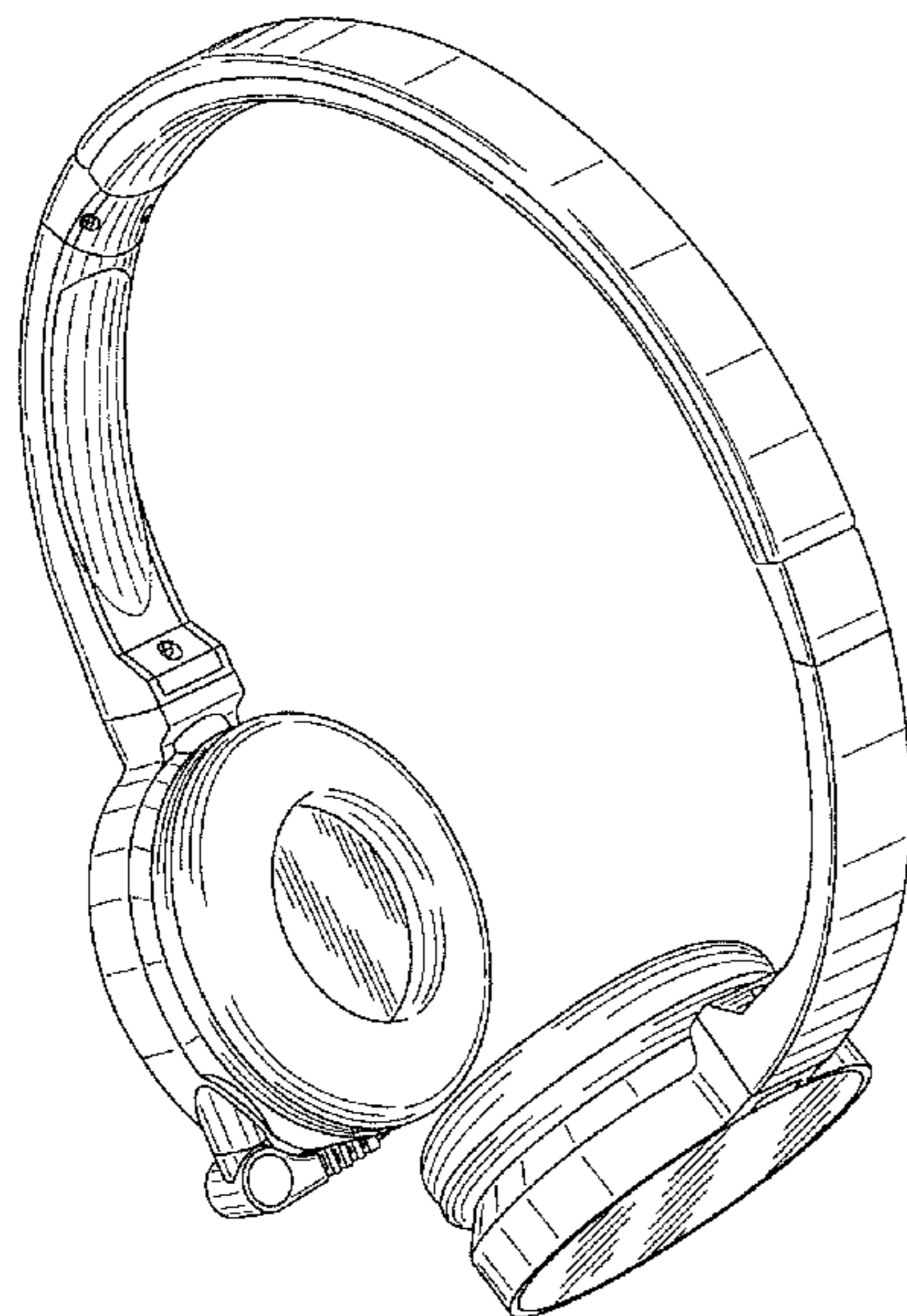
FIG. 6 is a top plan view thereof;

FIG. 7 is a bottom plan view thereof;

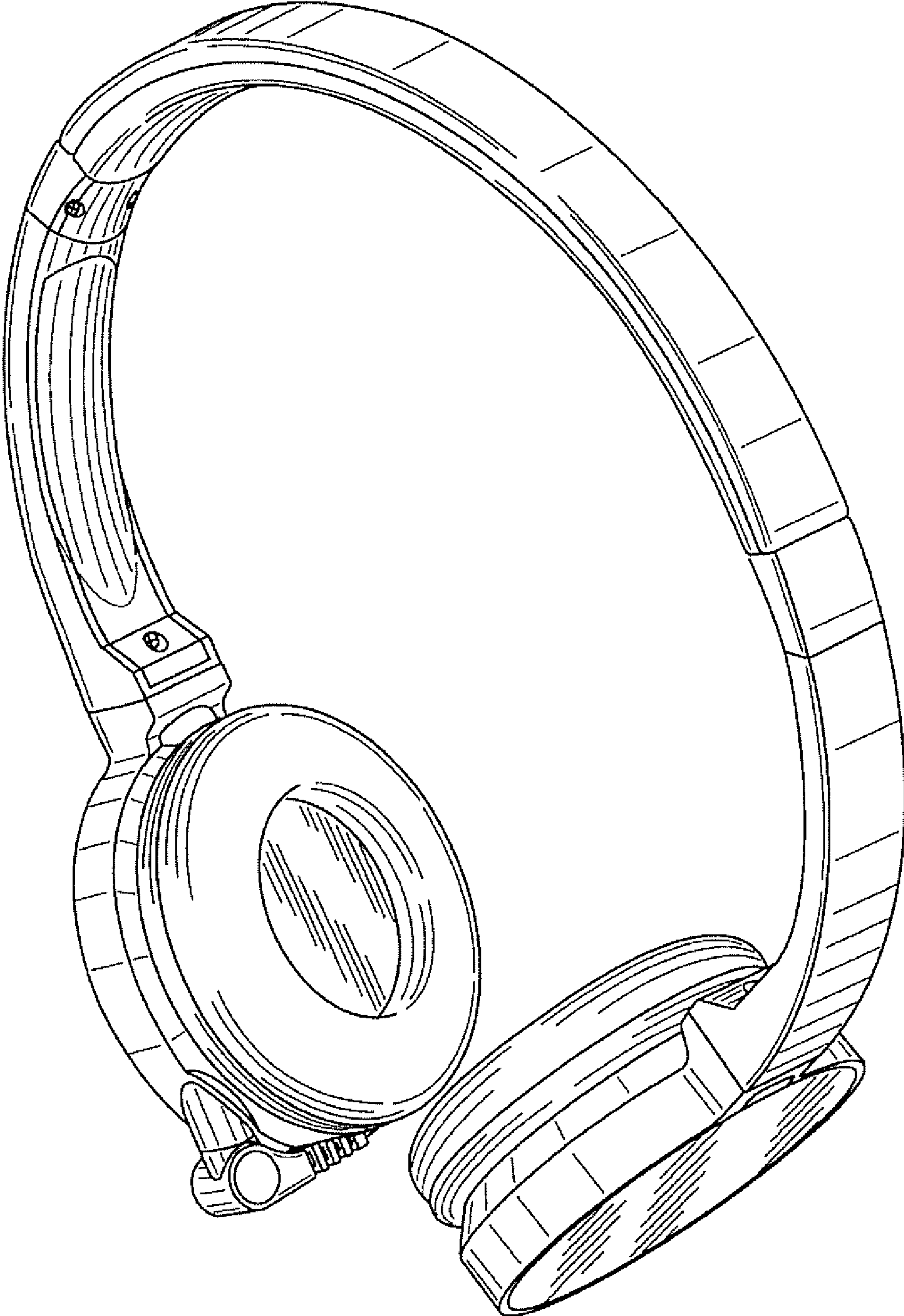
FIG. 8 is a view from the direction of Arrow 8 in FIG. 2 of a headphone; and,

FIG. 9 is a view from the direction of Arrow 9 in FIG. 2 of a headphone.

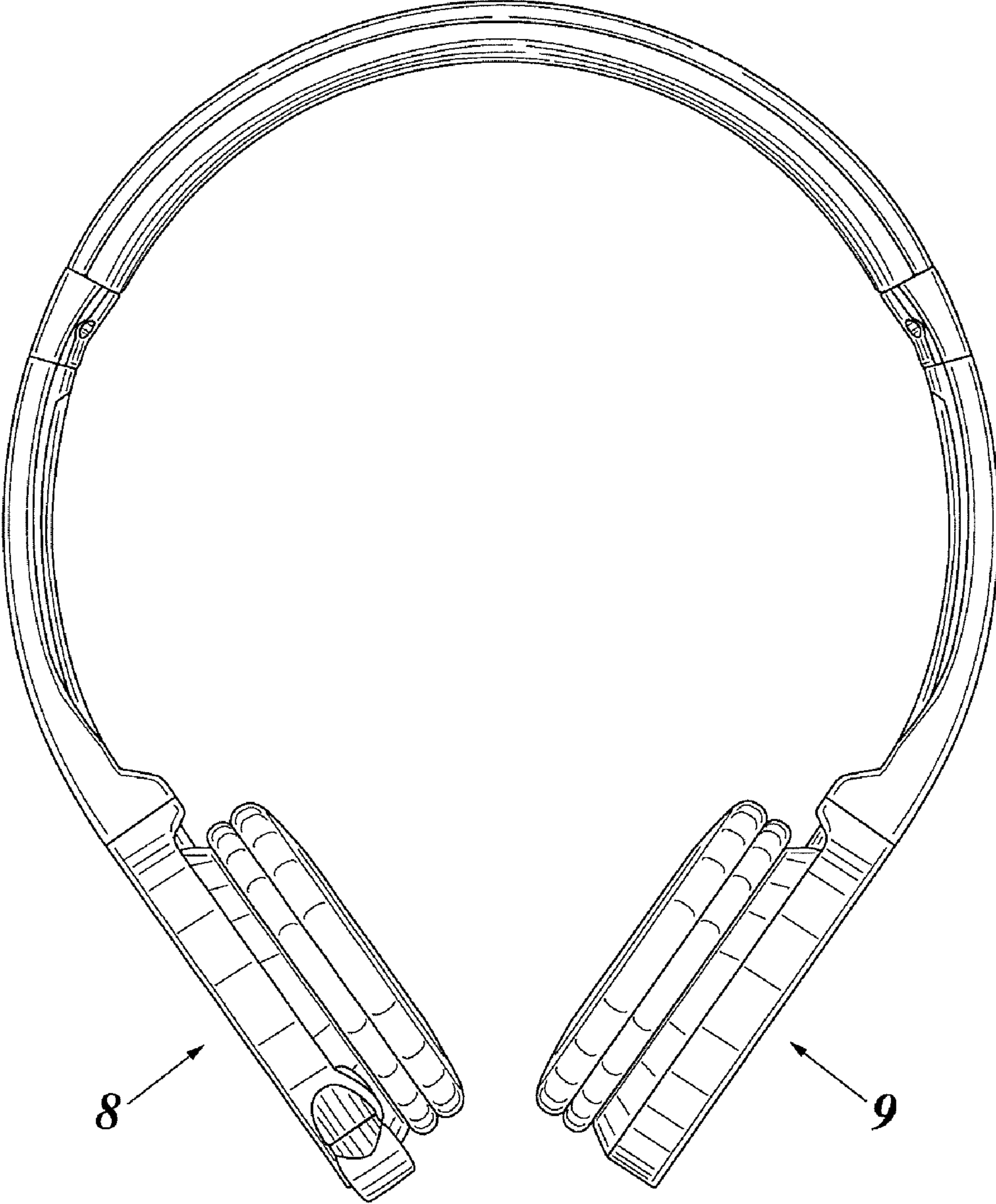
**1 Claim, 6 Drawing Sheets**



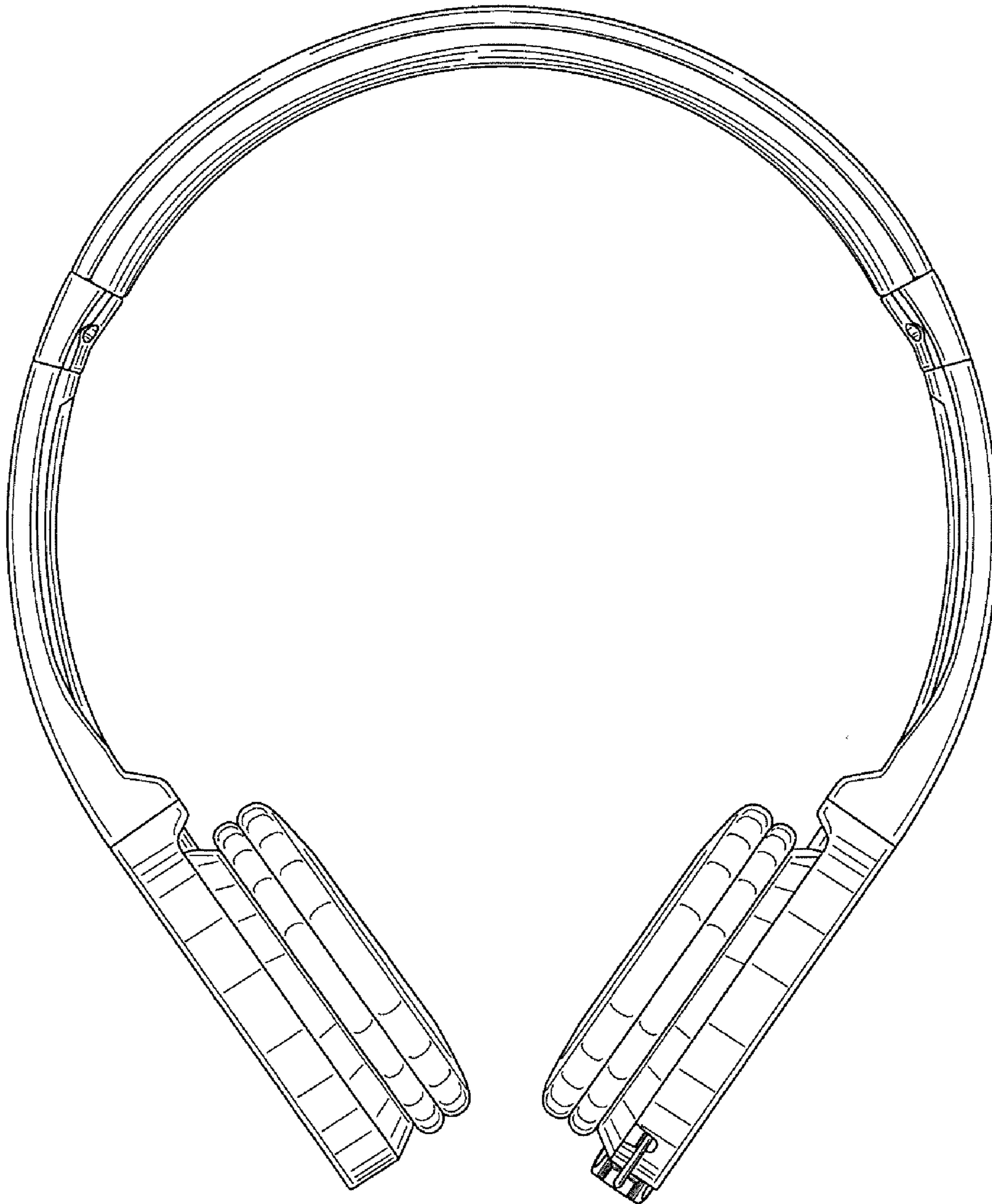
**FIG. 1**



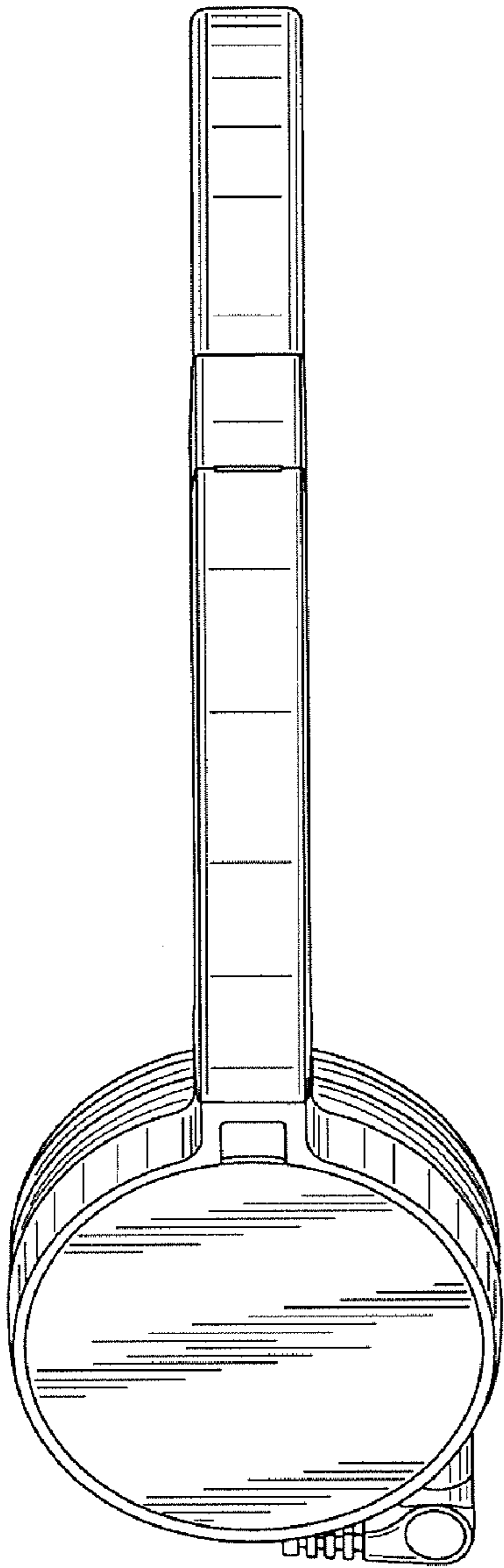
**FIG. 2**



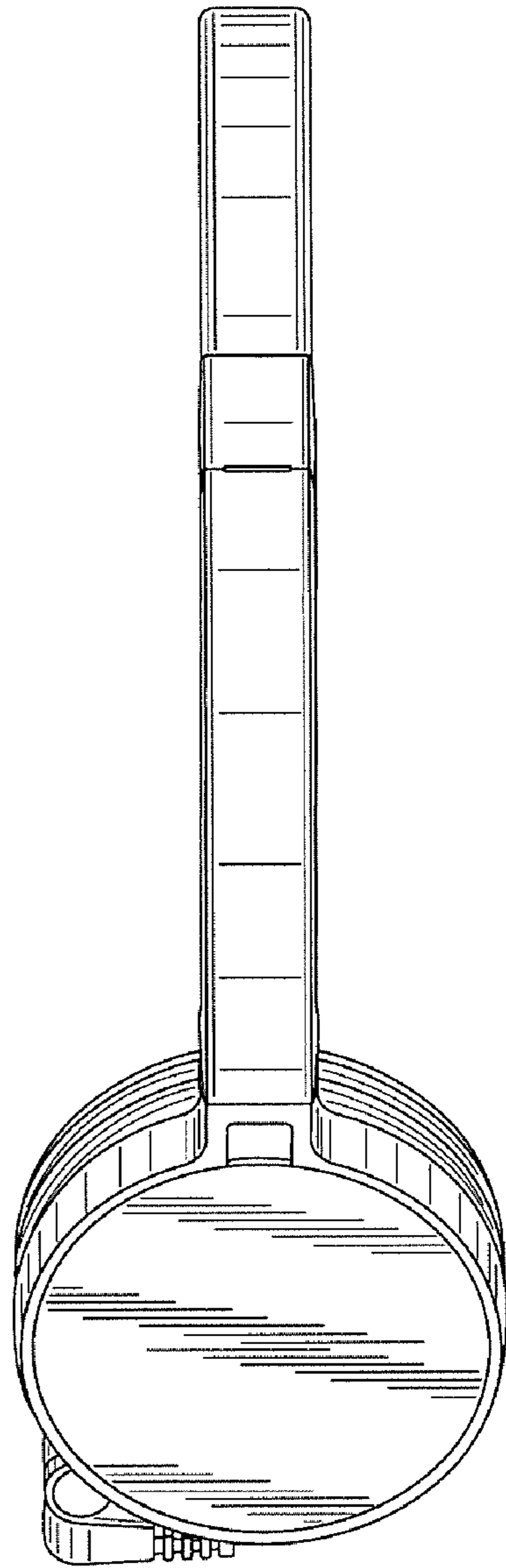
**FIG. 3**



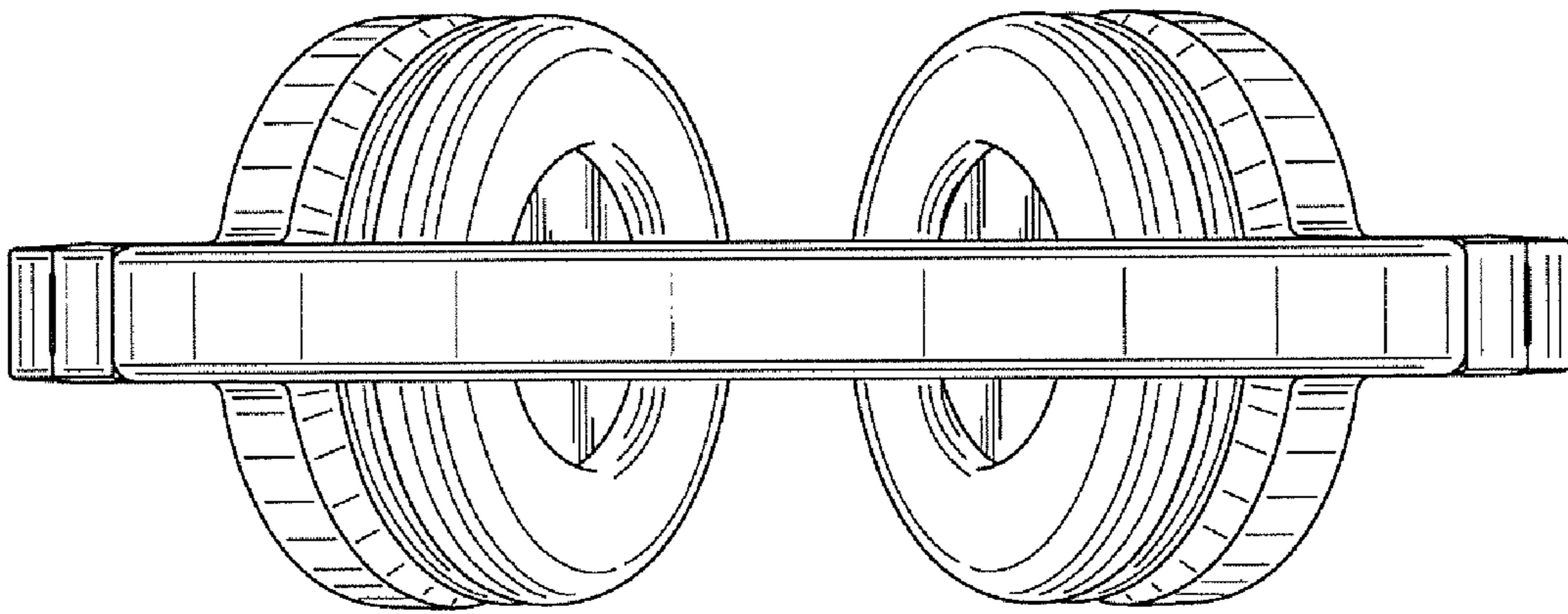
***FIG. 4***



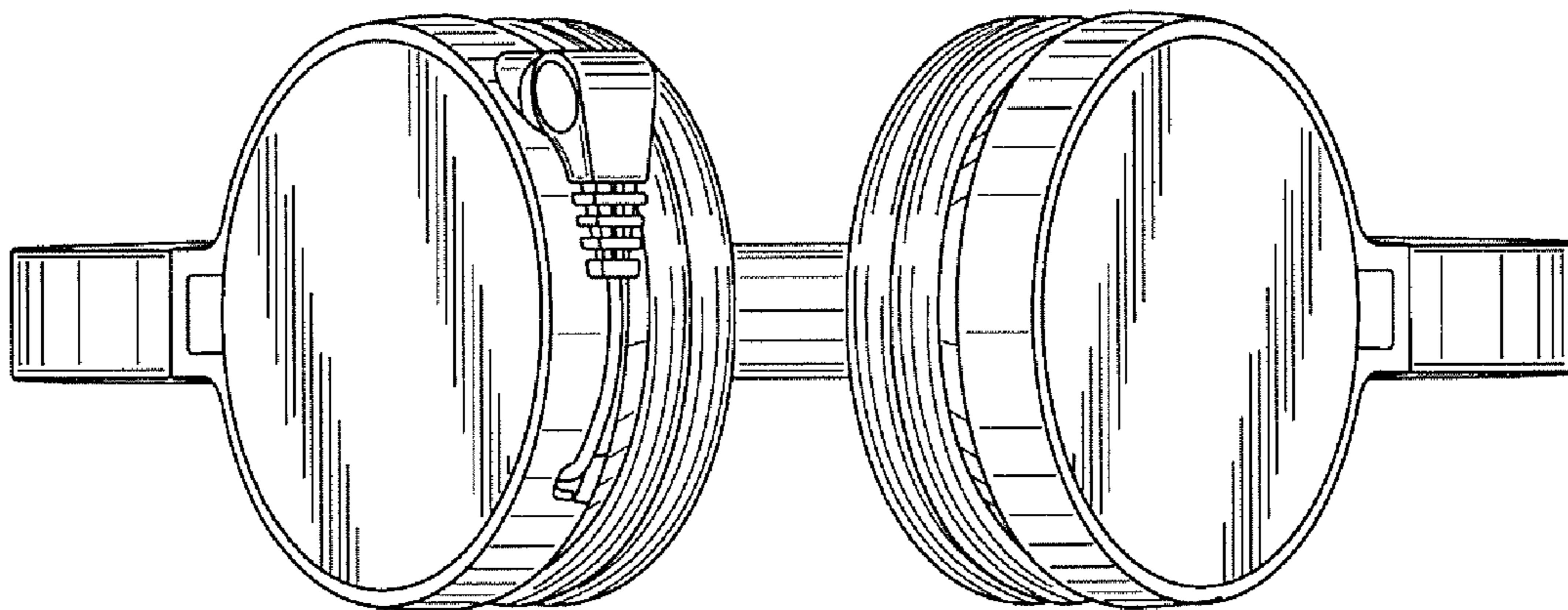
***FIG. 5***



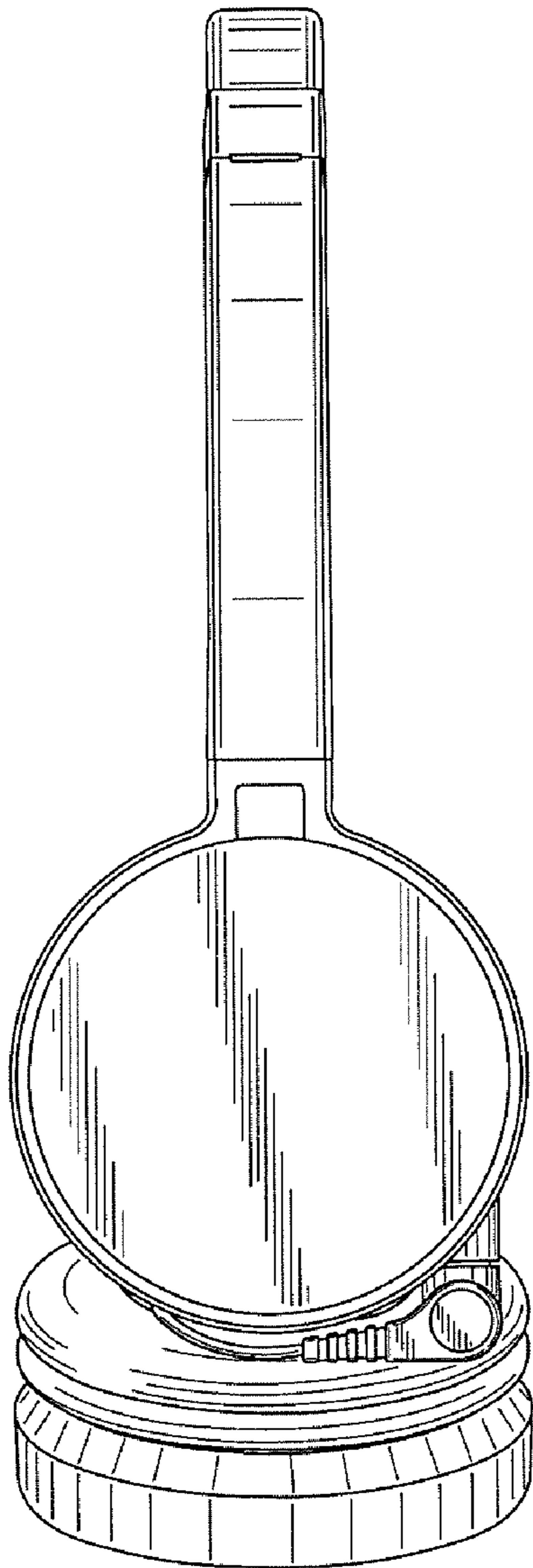
**FIG. 6**



**FIG. 7**



**FIG. 8**



**FIG. 9**

