



US00D625704S

(12) **United States Design Patent**  
**Cheng**

(10) **Patent No.:** **US D625,704 S**  
(45) **Date of Patent:** **\*\* Oct. 19, 2010**

(54) **EARPHONE ASSEMBLY**

D599,785 S \* 9/2009 Matsuda et al. .... D14/223  
D600,236 S \* 9/2009 Sanguinetti et al. .... D14/223  
D607,880 S \* 1/2010 Chung et al. .... D14/223

(75) Inventor: **Jung-Ching Cheng**, Tu-Cheng (TW)

(73) Assignee: **Cheng Uei Precision Industry Co., Ltd.**, Tu-Cheng, Taipei Hsien (TW)

\* cited by examiner

*Primary Examiner*—Paula Greene  
(74) *Attorney, Agent, or Firm*—Cheng-Ju Chiang

(\*\*) Term: **14 Years**

(21) Appl. No.: **29/345,998**

(57) **CLAIM**

(22) Filed: **Oct. 23, 2009**

The ornamental design for an earphone assembly, as shown and described.

(51) **LOC (9) Cl.** ..... **14-01**

(52) **U.S. Cl.** ..... **D14/205**

(58) **Field of Classification Search** ..... D14/205,  
D14/206, 223, 218, 240; D3/218; D6/550,  
D6/583, 547, 546; 224/242, 241, 272; 24/3.11;  
248/205.5; 379/420.04; 381/380, 381; 455/569.1,  
455/90.1

See application file for complete search history.

**DESCRIPTION**

FIG. 1 is a perspective view of an earphone assembly showing my new design, the cord is drawn broken away to show indeterminate length;

FIG. 2 is a front elevational view thereof;

FIG. 3 is a rear elevational view thereof;

FIG. 4 is a left side elevational view thereof;

FIG. 5 is a right side elevational view thereof;

FIG. 6 is a top plan view thereof;

FIG. 7 is a bottom plan view thereof; and,

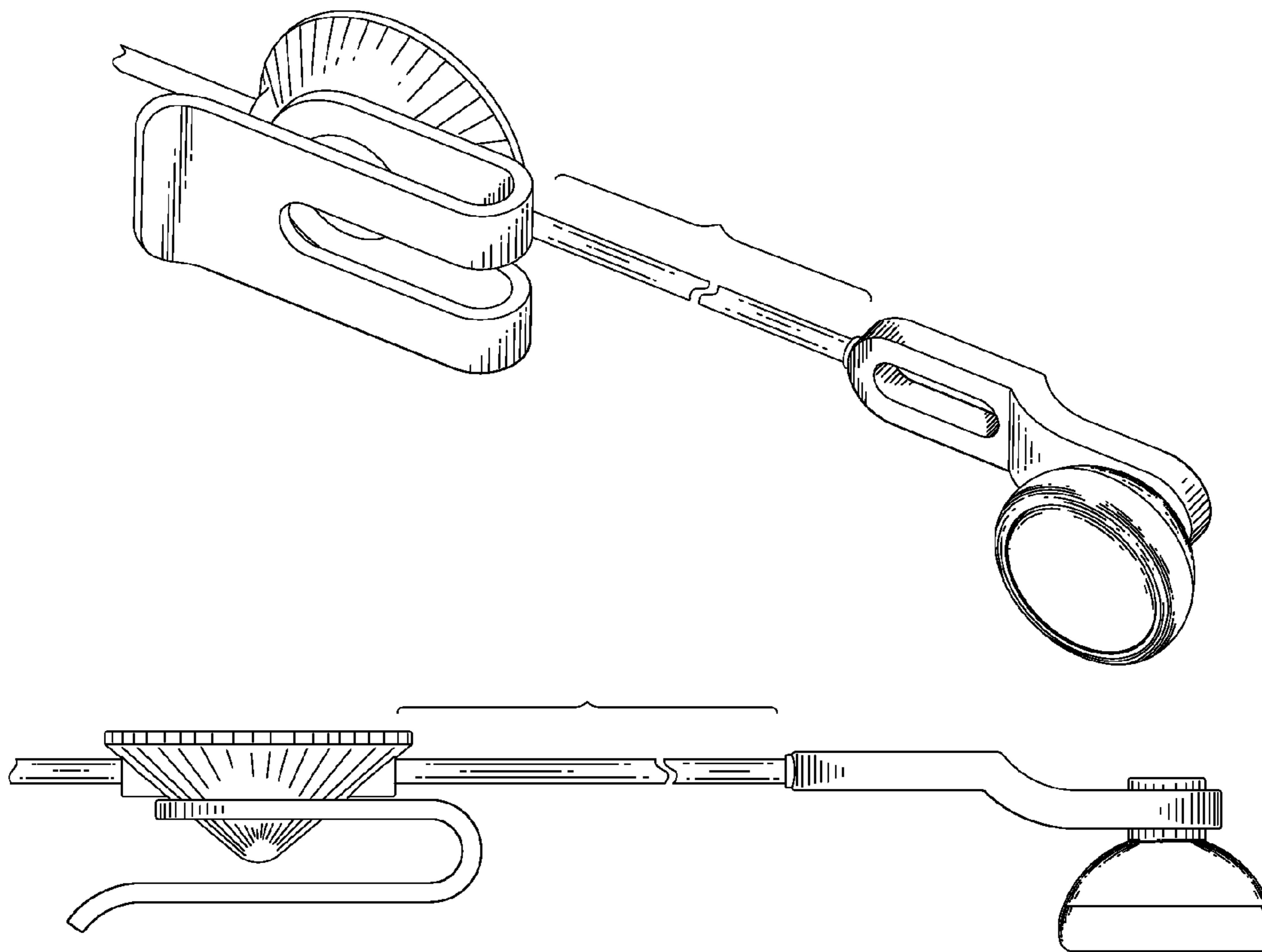
FIG. 8 is another perspective view of the earphone assembly showing my new design.

(56) **References Cited**

**U.S. PATENT DOCUMENTS**

3,343,772 A \* 9/1967 Howell et al. .... 248/205.5  
D459,342 S \* 6/2002 Marion et al. .... D14/223  
D554,109 S \* 10/2007 Ledbetter et al. .... D14/223  
D576,608 S \* 9/2008 Yu ..... D14/217  
D591,264 S \* 4/2009 Hong et al. .... D14/205  
D599,781 S \* 9/2009 Lee et al. .... D14/205

**1 Claim, 8 Drawing Sheets**



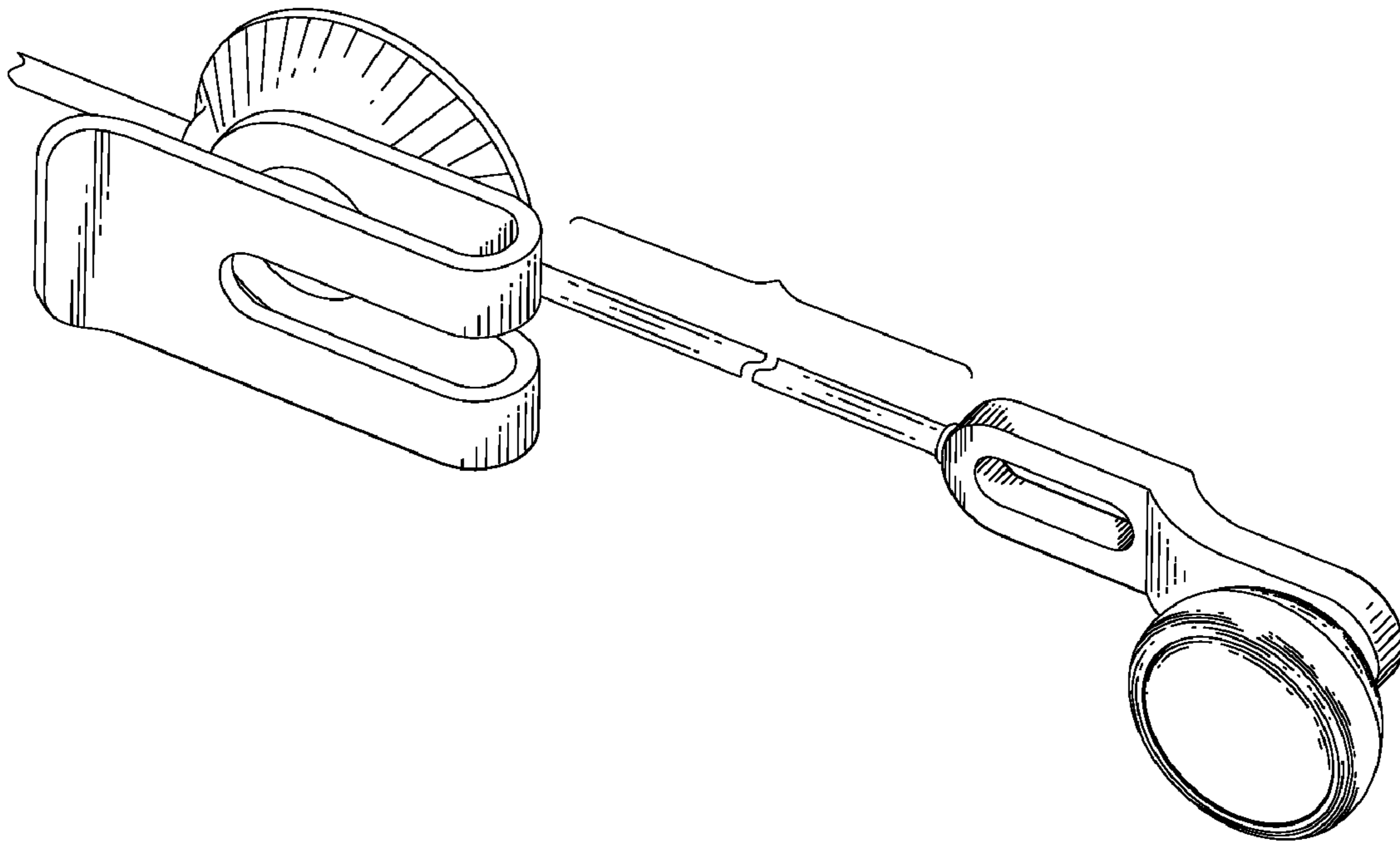


FIG. 1

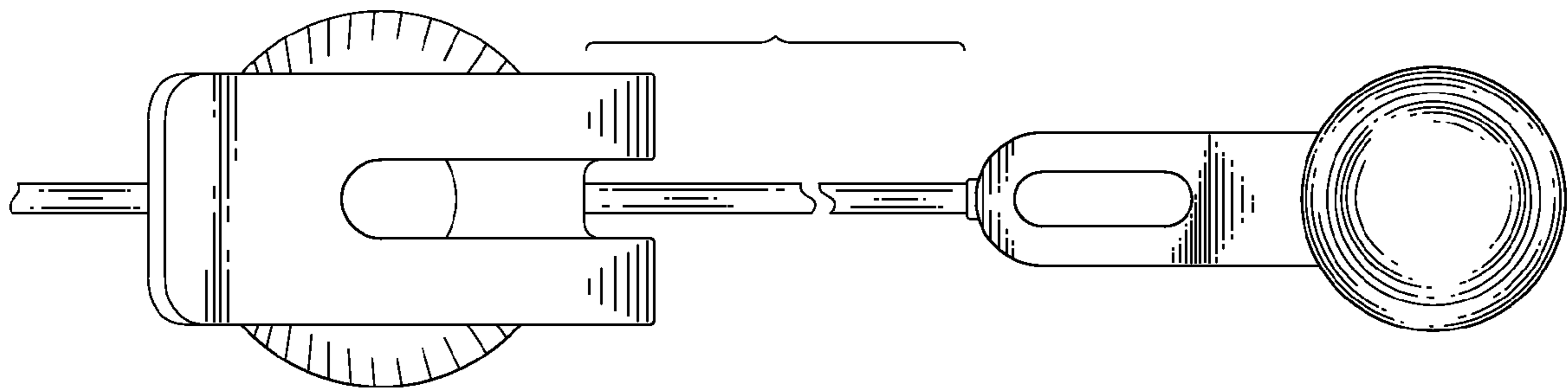


FIG. 2

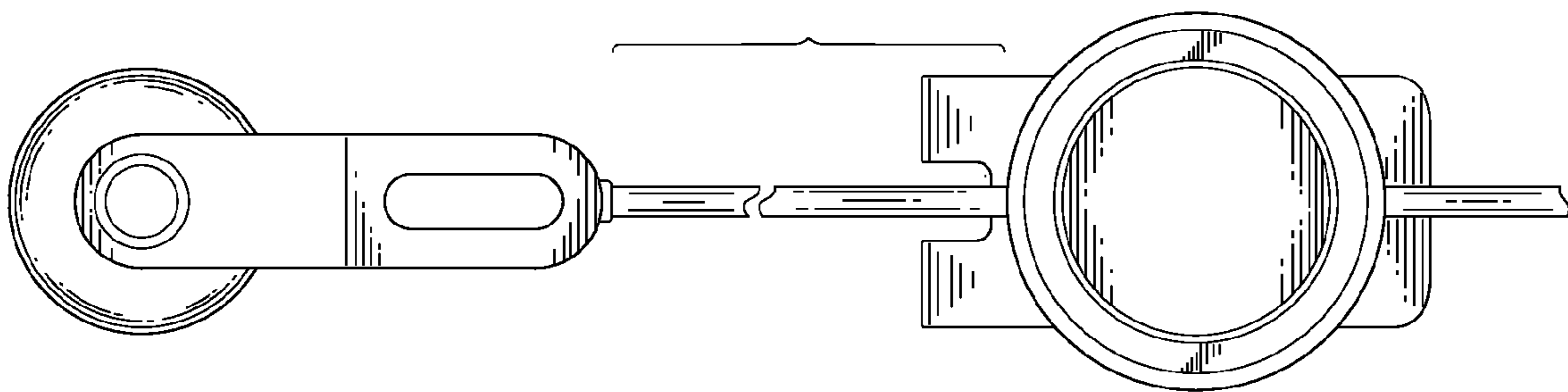


FIG. 3

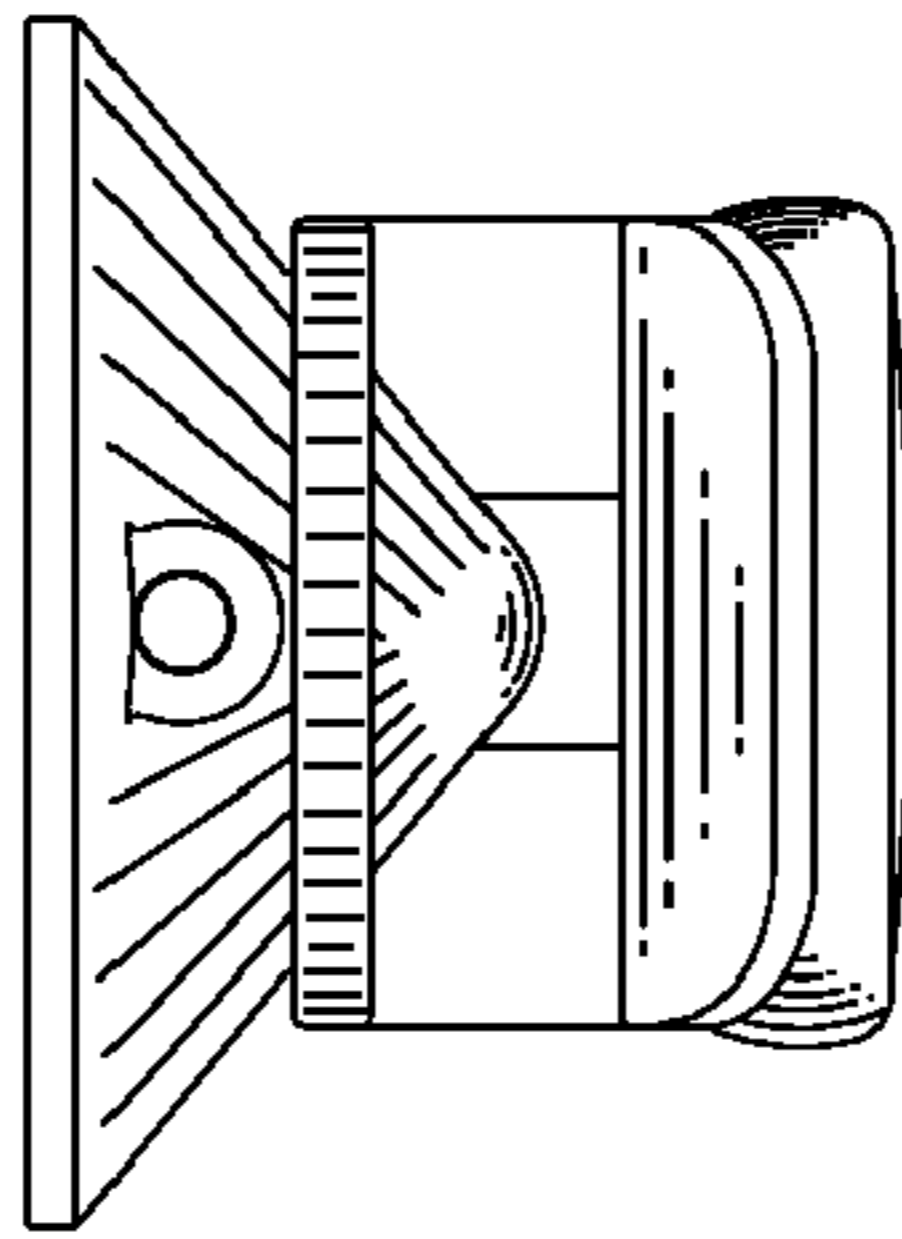


FIG. 4

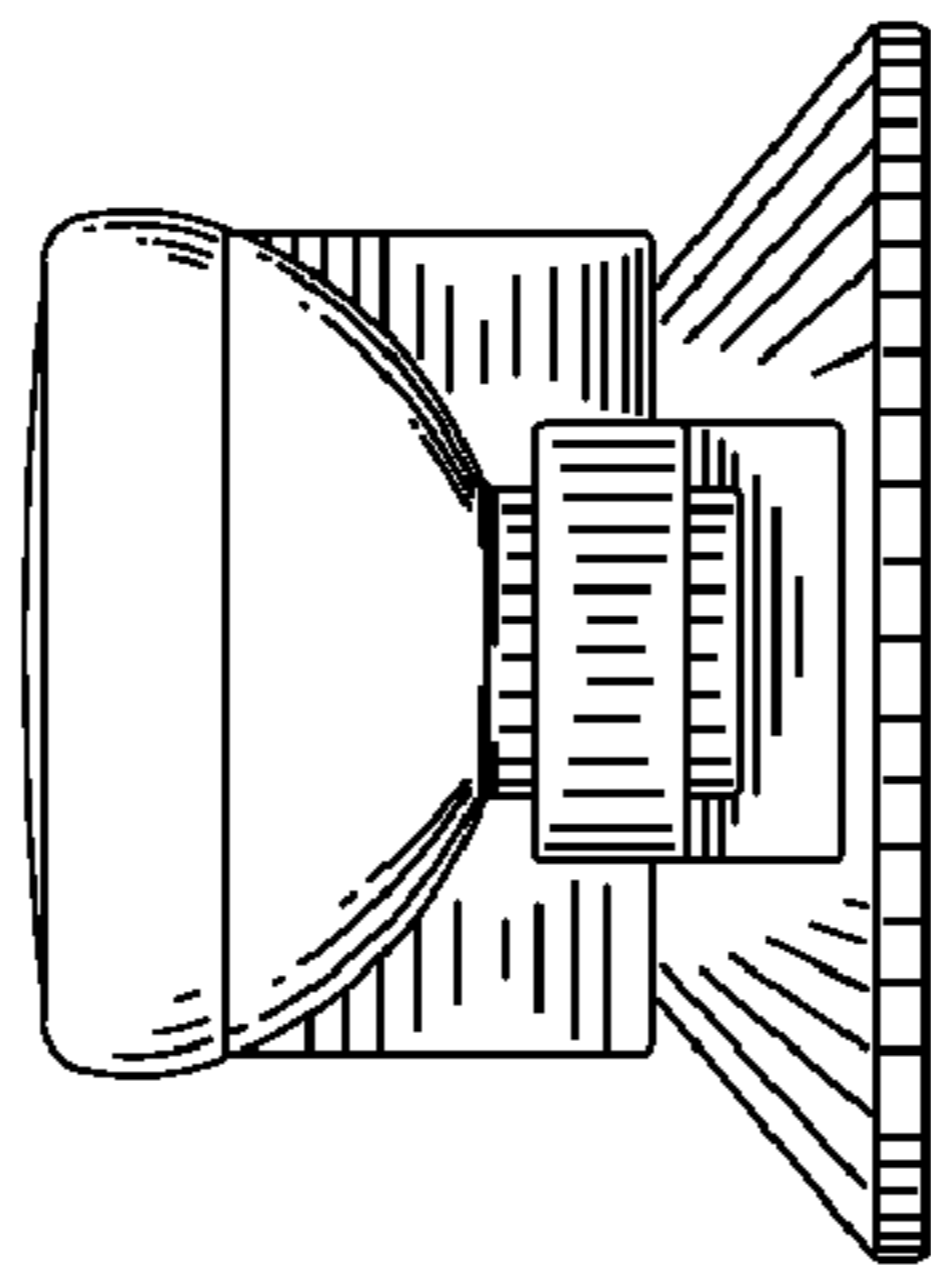


FIG. 5

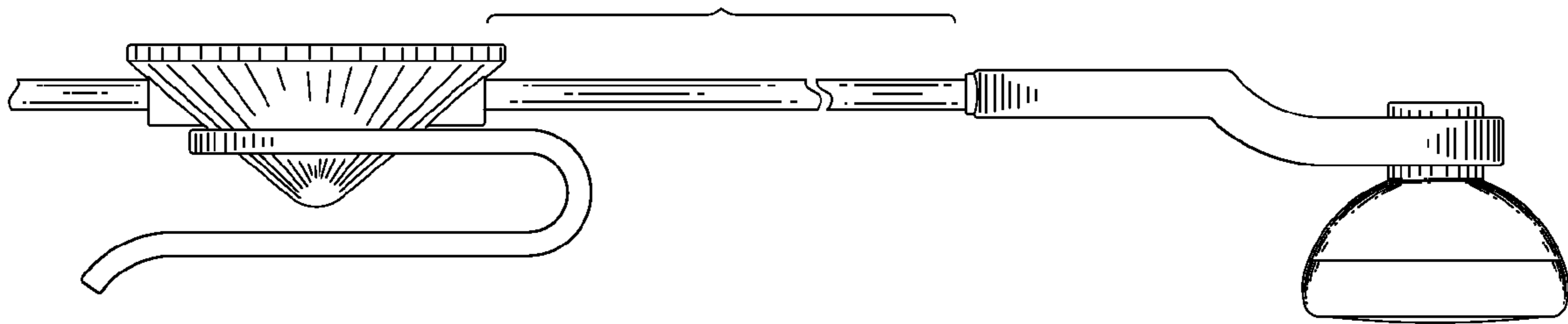


FIG. 6

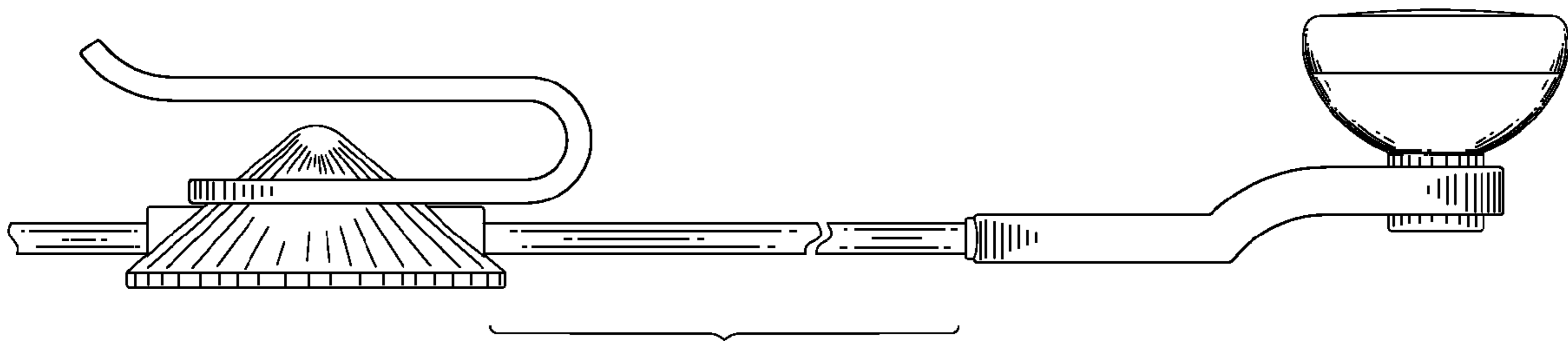


FIG. 7



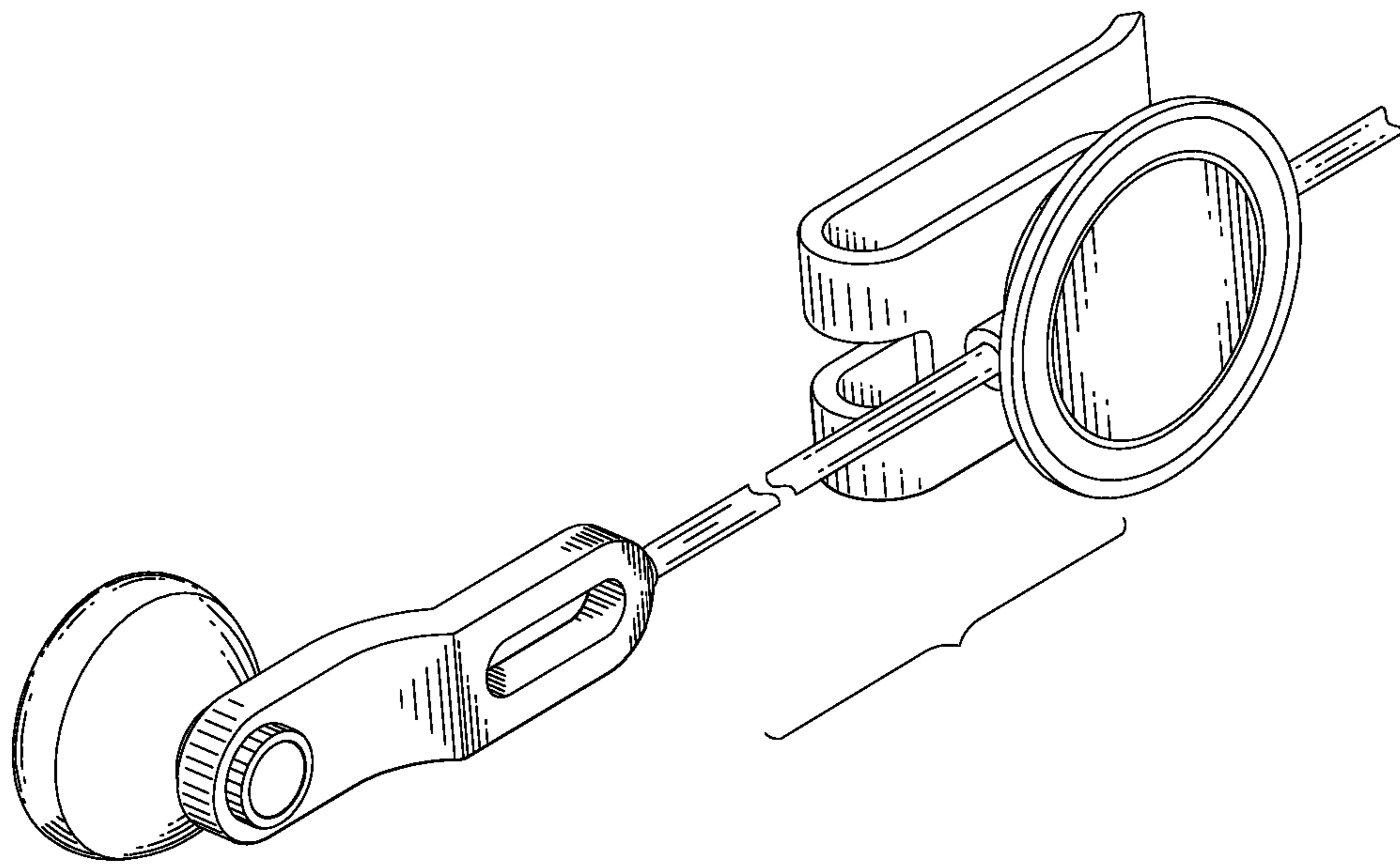


FIG. 8