



US00D625703S

(12) **United States Design Patent**
Kolton

(10) **Patent No.:** **US D625,703 S**

(45) **Date of Patent:** **** Oct. 19, 2010**

(54) **HEADPHONE ASSEMBLY**

(76) Inventor: **Timothy Val Kolton**, 6464 Sunset Blvd.,
Suite 500, Hollywood, CA (US) 90028

(**) Term: **14 Years**

(21) Appl. No.: **29/345,632**

(22) Filed: **Oct. 20, 2009**

(51) **LOC (9) Cl.** **14-01**

(52) **U.S. Cl.** **D14/205**

(58) **Field of Classification Search** D14/205,
D14/206, 223, 224.1, 225, 147, 188, 192;
181/129, 130; 381/380, 381; 455/90.3, 575.1,
455/575.2; 2/209; D29/112

See application file for complete search history.

(56) **References Cited**

U.S. PATENT DOCUMENTS

D222,361 S	*	10/1971	Hart	D14/205
D237,307 S	*	10/1975	Miyamoto	D14/192
D244,300 S	*	5/1977	Besasio	D14/205
D276,855 S	*	12/1984	Falco	D29/112
D301,145 S	*	5/1989	Besasio et al.	D14/205
D313,092 S	*	12/1990	Nilsson	D29/112
D352,036 S	*	11/1994	Sekita	D14/192
D413,413 S	*	8/1999	Dillon et al.	D29/112
D418,509 S	*	1/2000	Zeitman	D14/192
D442,340 S	*	5/2001	Leight et al.	D29/112
D604,266 S	*	11/2009	Milde et al.	D14/205

* cited by examiner

Primary Examiner—Paula Greene

(74) *Attorney, Agent, or Firm*—Lauson & Tarver LLP; Edwin
Tarver

(57) **CLAIM**

The ornamental design for a headphone assembly, as shown
and described.

DESCRIPTION

Portions of the disclosure of this patent document contain
material that is subject to copyright protection. The copyright
owner has no objection to the facsimile reproduction by any-
one of the patent document or the patent disclosure as it
appears in the Patent and Trademark Office file or records, but
otherwise reserves all copyright rights whatsoever.

FIG. 1 is a perspective view of a headphone assembly show-
ing my new design, the opposite side is a mirror image.

FIG. 2 is a left side view thereof.

FIG. 3 is a right side view thereof.

FIG. 4 is a top view thereof.

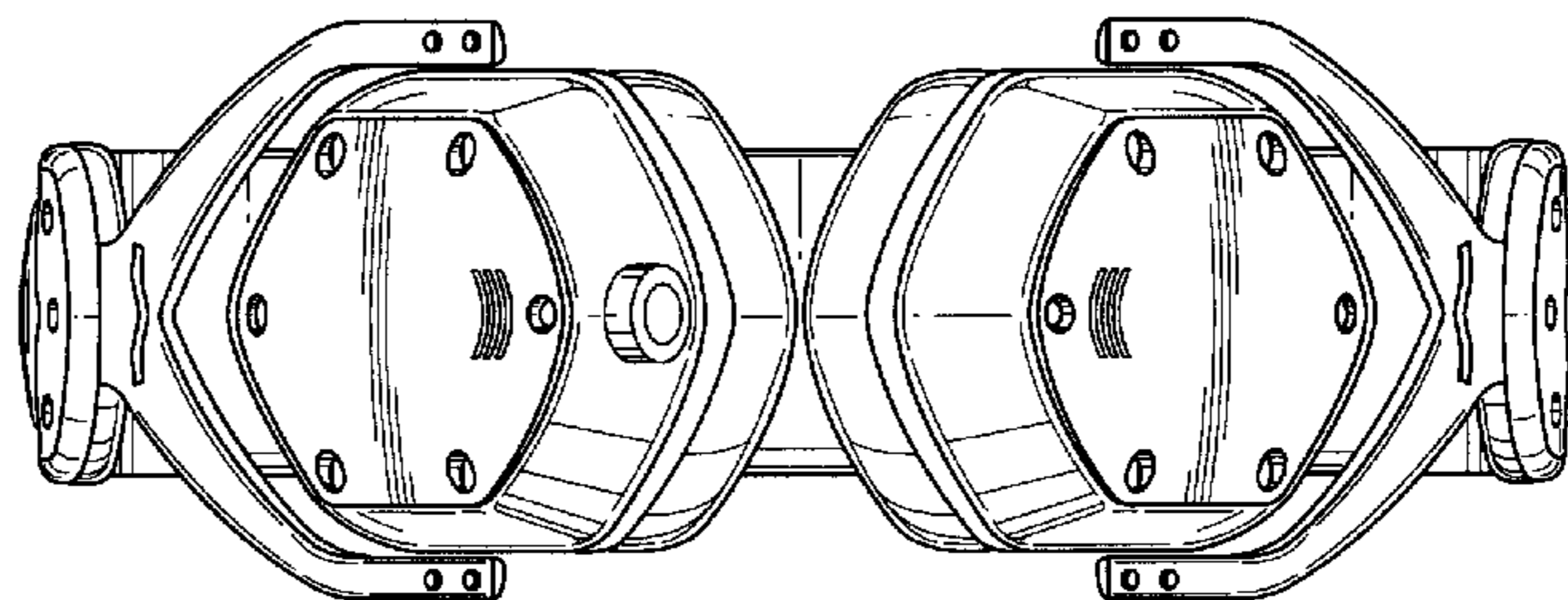
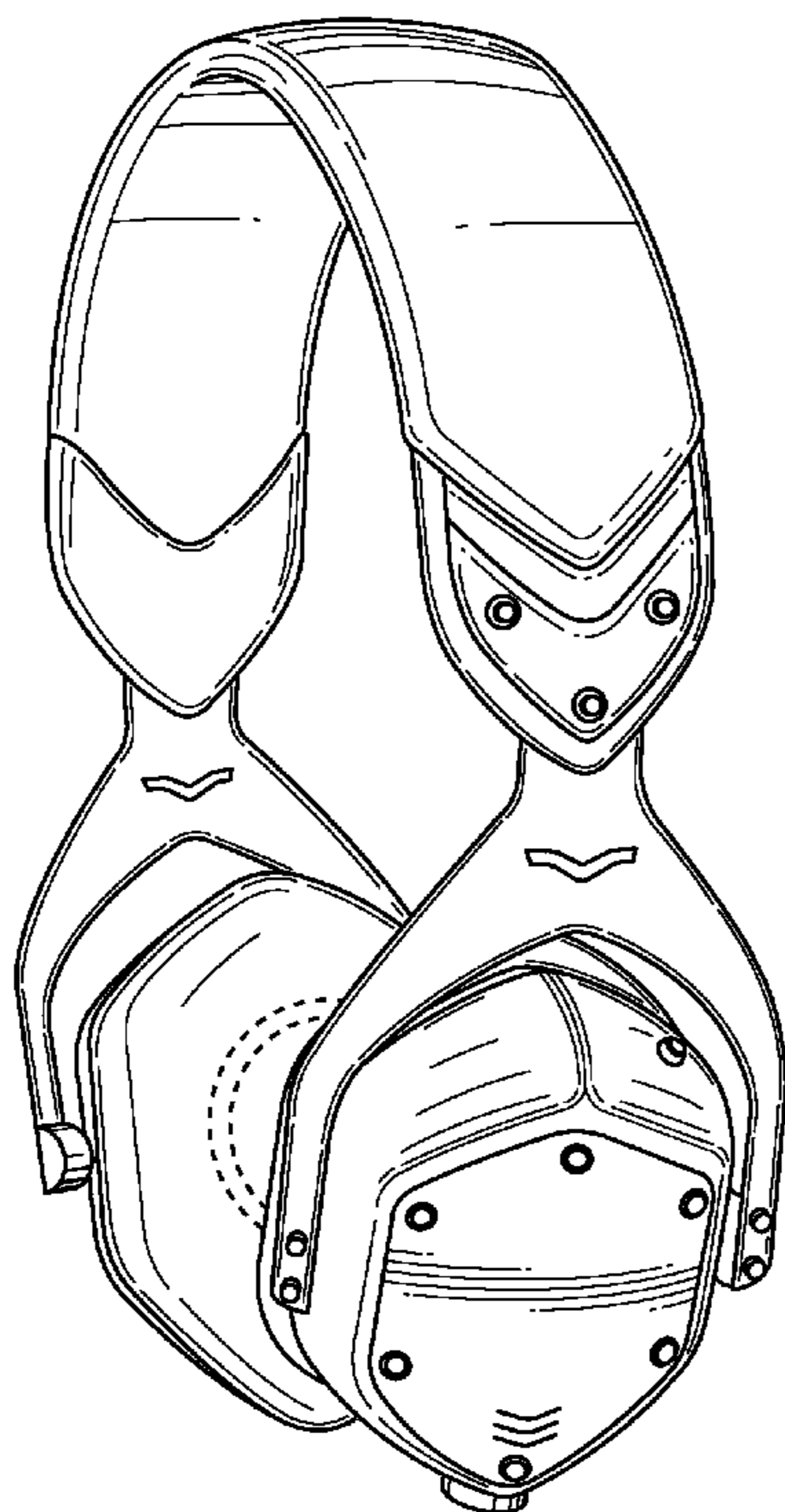
FIG. 5 is a bottom view thereof.

FIG. 6 is a rear view thereof; and,

FIG. 7 is a front view thereof.

Portions of the drawings shown in dashed line are for illus-
trative purposes only, and form no part of the claimed design.

1 Claim, 4 Drawing Sheets



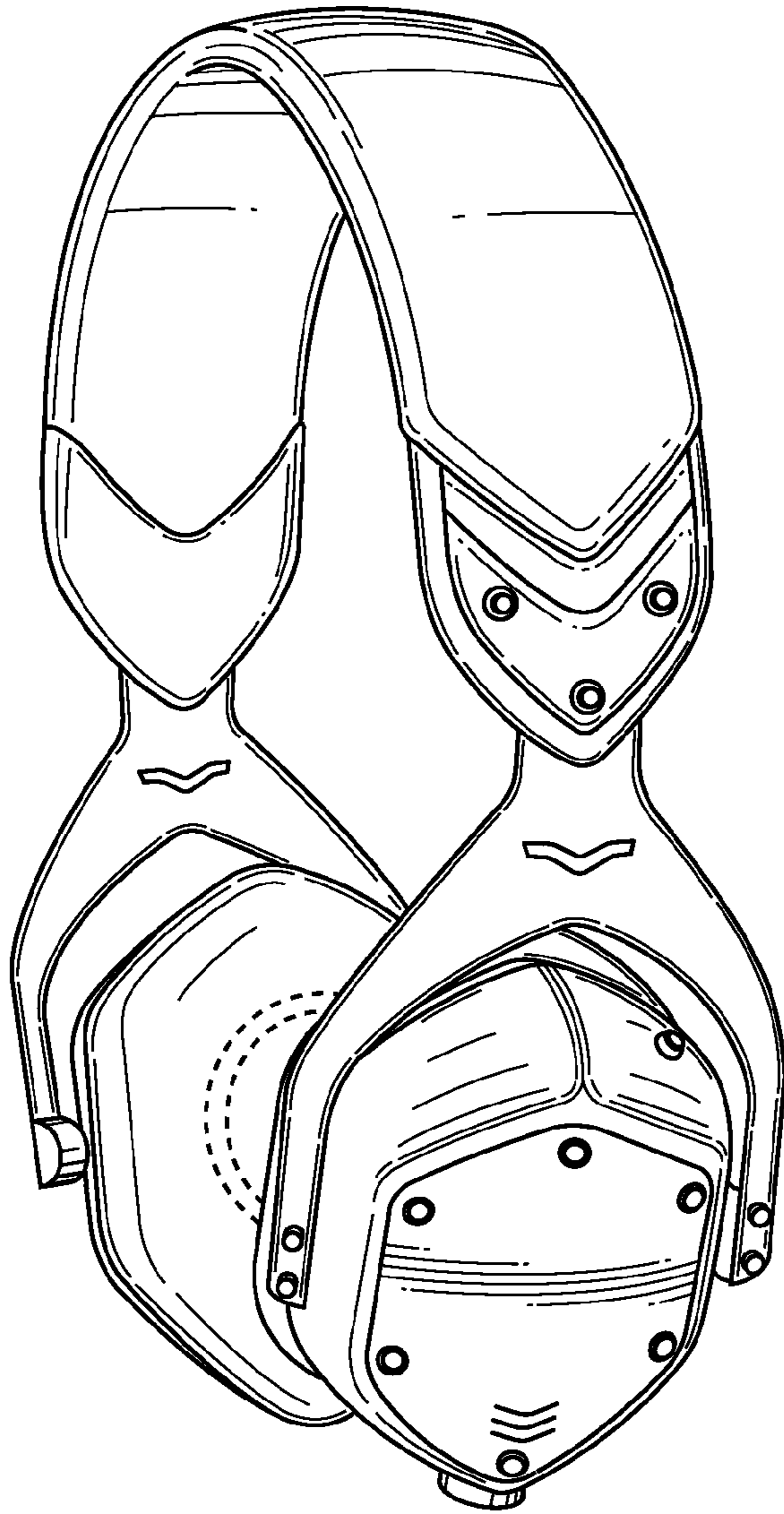
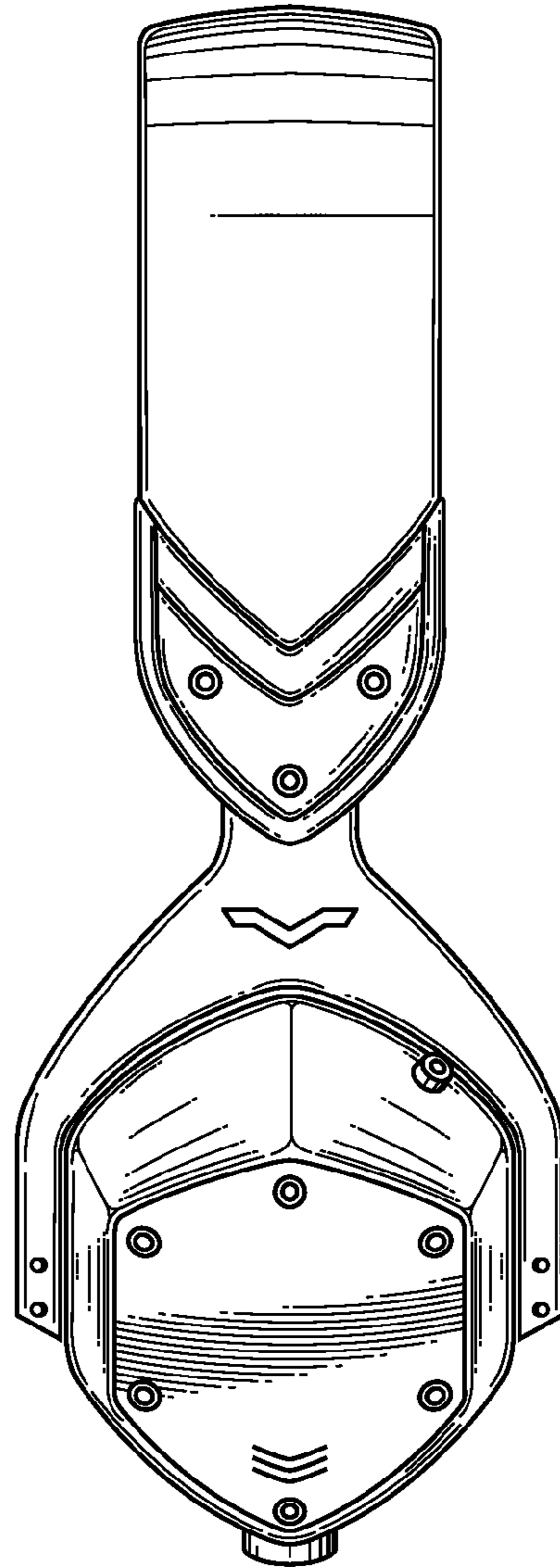


Fig. 1

Fig. 2



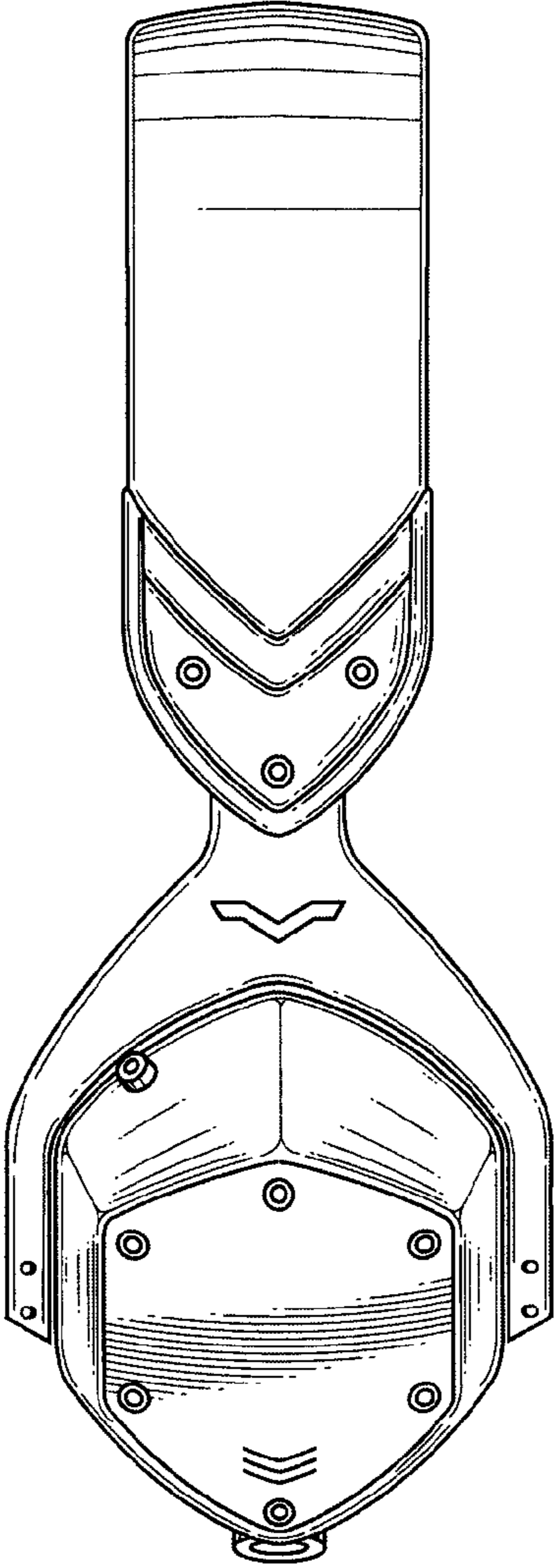


Fig. 3

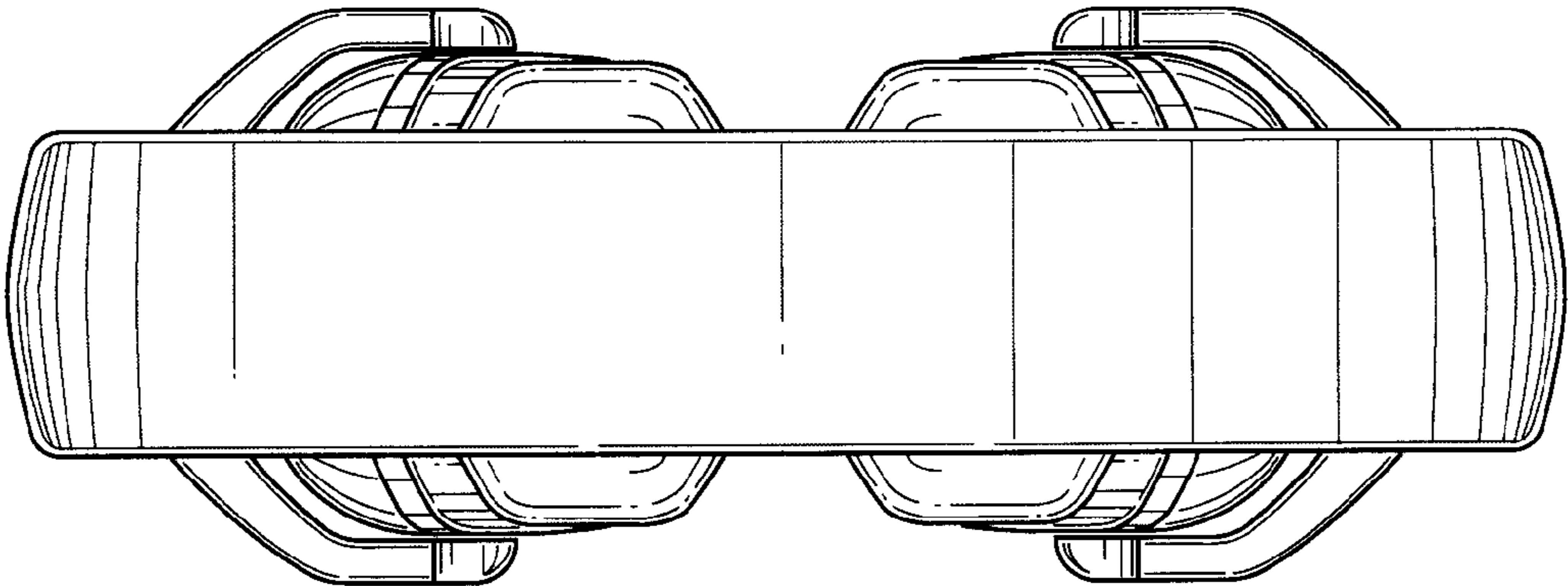


Fig. 4

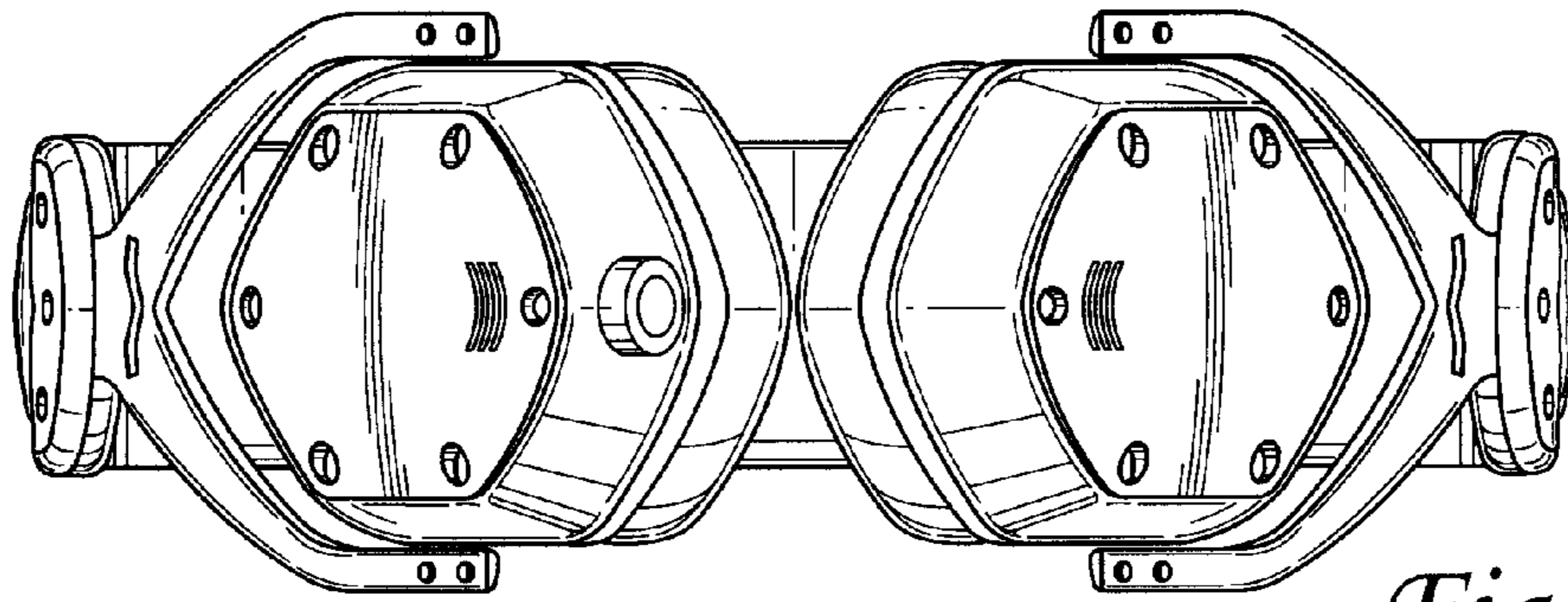


Fig. 5



Fig. 6

Fig. 7

