



US00D625702S

(12) **United States Design Patent**
Benedetti

(10) **Patent No.:** **US D625,702 S**
(45) **Date of Patent:** **** Oct. 19, 2010**

(54) **BABY MONITORING SYSTEM**

(75) Inventor: **Giovanni Benedetti**, West Kilbride (GB)

(73) Assignee: **Benedetti International Limited**,
Wishaw, Lanarkshire (GB)

(**) Term: **14 Years**

(21) Appl. No.: **29/339,037**

(22) Filed: **Jun. 23, 2009**

(30) **Foreign Application Priority Data**

| | | |
|---------------|------|----------------|
| Dec. 23, 2008 | (EM) | 001062988-0001 |
| Dec. 23, 2008 | (EM) | 001062988-0002 |
| Dec. 23, 2008 | (EM) | 001062988-0003 |
| Dec. 23, 2008 | (EM) | 001062988-0004 |
| Dec. 23, 2008 | (EM) | 001062988-0005 |

(51) **LOC (9) Cl.** **14-03**

(52) **U.S. Cl.** **D14/159**

(58) **Field of Classification Search** D10/104,
D10/106; D14/137, 138, 139, 159; 455/73,
455/128; 24/269, 930; 340/539.1, 539.11,
340/539.15

See application file for complete search history.

(56) **References Cited**

U.S. PATENT DOCUMENTS

| | | | | | |
|-----------|-----|---------|-----------------|-------|---------|
| D339,136 | S * | 9/1993 | Knoedler et al. | | D14/159 |
| D340,928 | S * | 11/1993 | Knoedler et al. | | D14/159 |
| 5,280,635 | A * | 1/1994 | Knoedler et al. | | 455/128 |
| D344,906 | S * | 3/1994 | Abrams et al. | | D14/159 |
| D371,781 | S * | 7/1996 | Nowak et al. | | D14/137 |
| D380,693 | S * | 7/1997 | Serres-Vives | | D10/104 |
| D383,687 | S * | 9/1997 | Conrado et al. | | D10/104 |

| | | | | | |
|--------------|------|---------|-------------------|-------|----------|
| D385,559 | S * | 10/1997 | Conrado et al. | | D14/159 |
| D419,899 | S * | 2/2000 | Levar et al. | | D10/104 |
| D430,546 | S * | 9/2000 | Gibson | | D14/137 |
| D460,707 | S * | 7/2002 | Gubitosi | | D10/104 |
| D465,469 | S * | 11/2002 | Heath | | D14/167 |
| D487,470 | S * | 3/2004 | Cobigo | | D14/496 |
| D488,166 | S * | 4/2004 | Daniels | | D14/496 |
| D501,419 | S * | 2/2005 | Oja et al. | | D10/104 |
| D522,897 | S * | 6/2006 | Kellond | | D10/104 |
| D528,031 | S * | 9/2006 | Kellond | | D10/104 |
| D579,912 | S * | 11/2008 | Lamason | | D14/159 |
| D597,876 | S * | 8/2009 | Lamason | | D10/104 |
| 2005/0079830 | A1 * | 4/2005 | Vives et al. | | 455/90.3 |
| 2009/0235006 | A1 * | 9/2009 | Desrosiers et al. | | 710/304 |

* cited by examiner

Primary Examiner—Caron Veynar

Assistant Examiner—George D Kirschbaum

(74) *Attorney, Agent, or Firm*—Jenkins, Wilson, Taylor & Hunt, P.A.

(57) **CLAIM**

The ornamental design for a baby monitoring system, as shown and described.

DESCRIPTION

FIG. 1 is a front view of a baby monitoring system showing my new design;

FIG. 2 is a right side view thereof;

FIG. 3 is a left side view thereof;

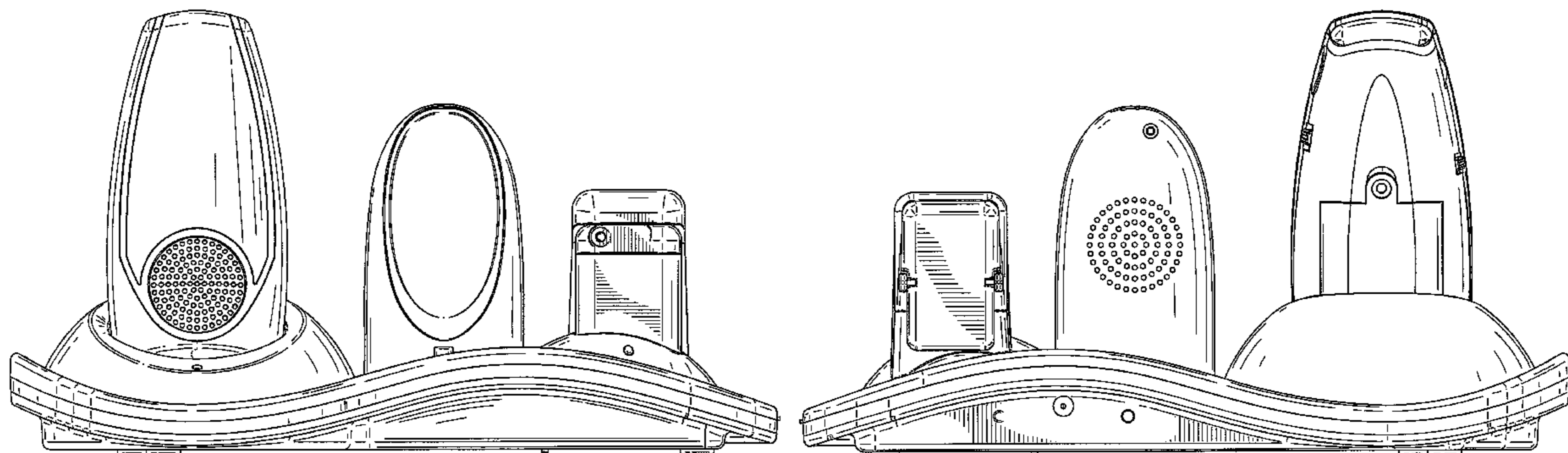
FIG. 4 is a top view thereof;

FIG. 5 is a bottom view;

FIG. 6 is a rear view; and,

FIG. 7 is a perspective view thereof.

1 Claim, 6 Drawing Sheets



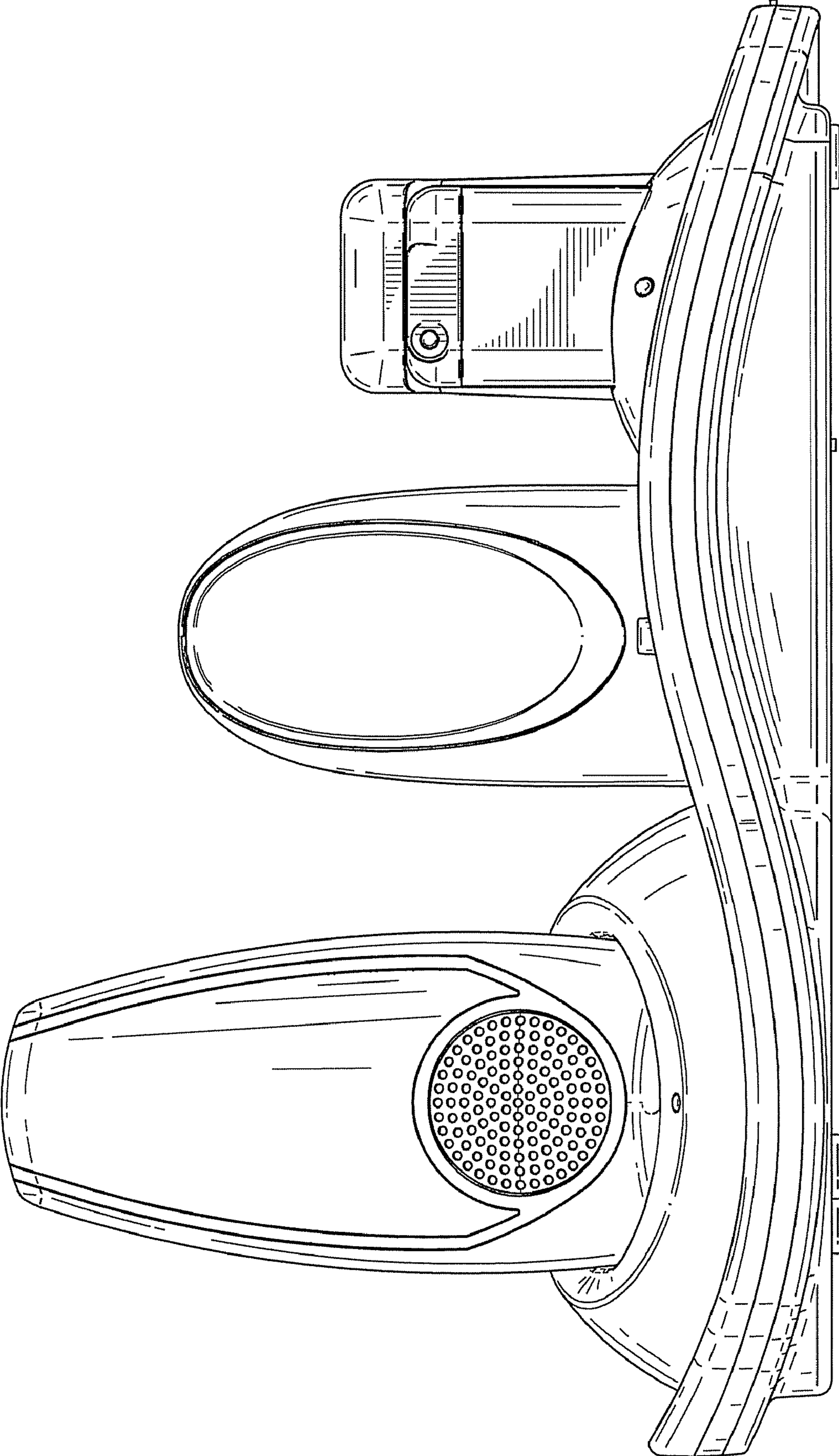


FIG. 1

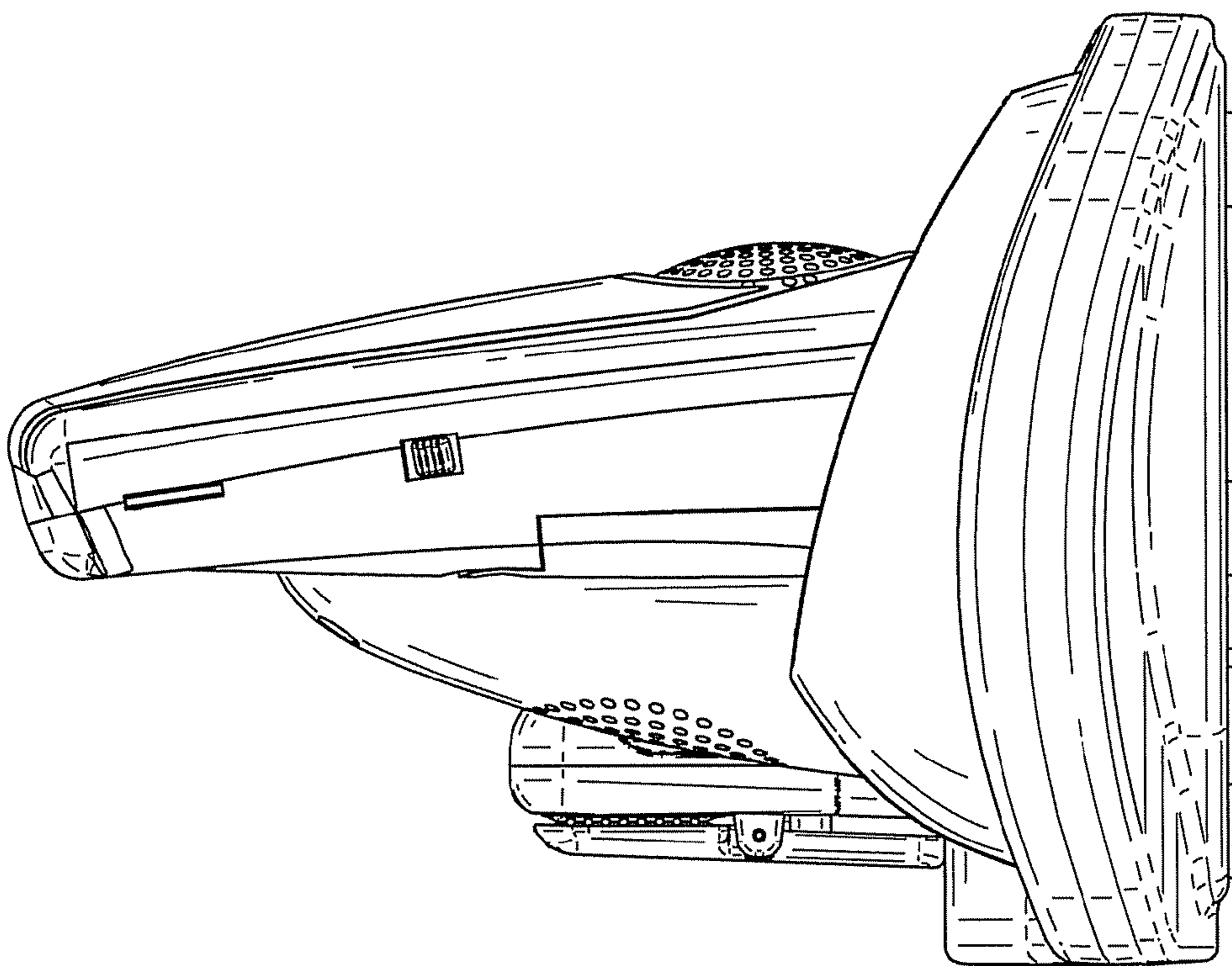


FIG. 3

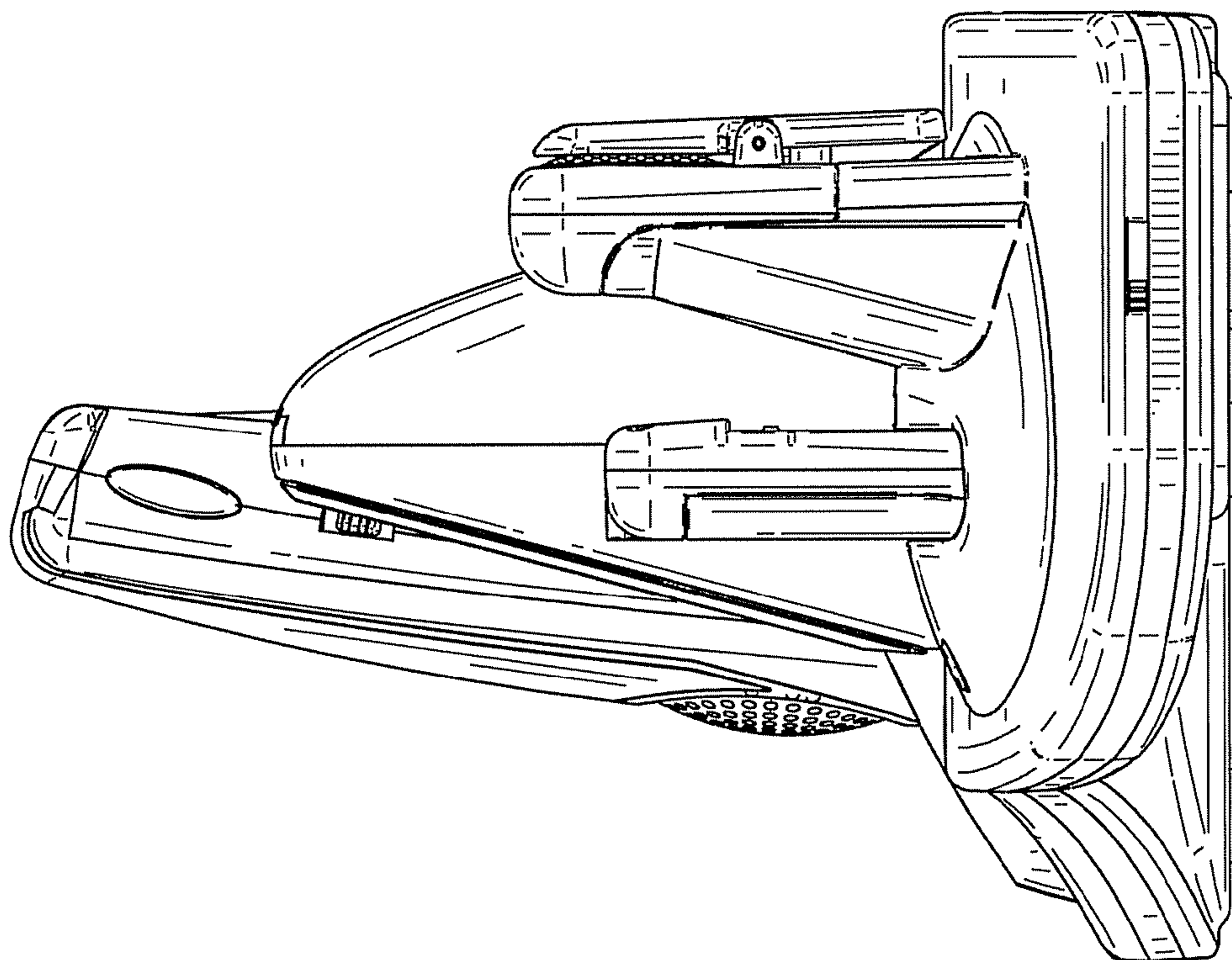


FIG. 2

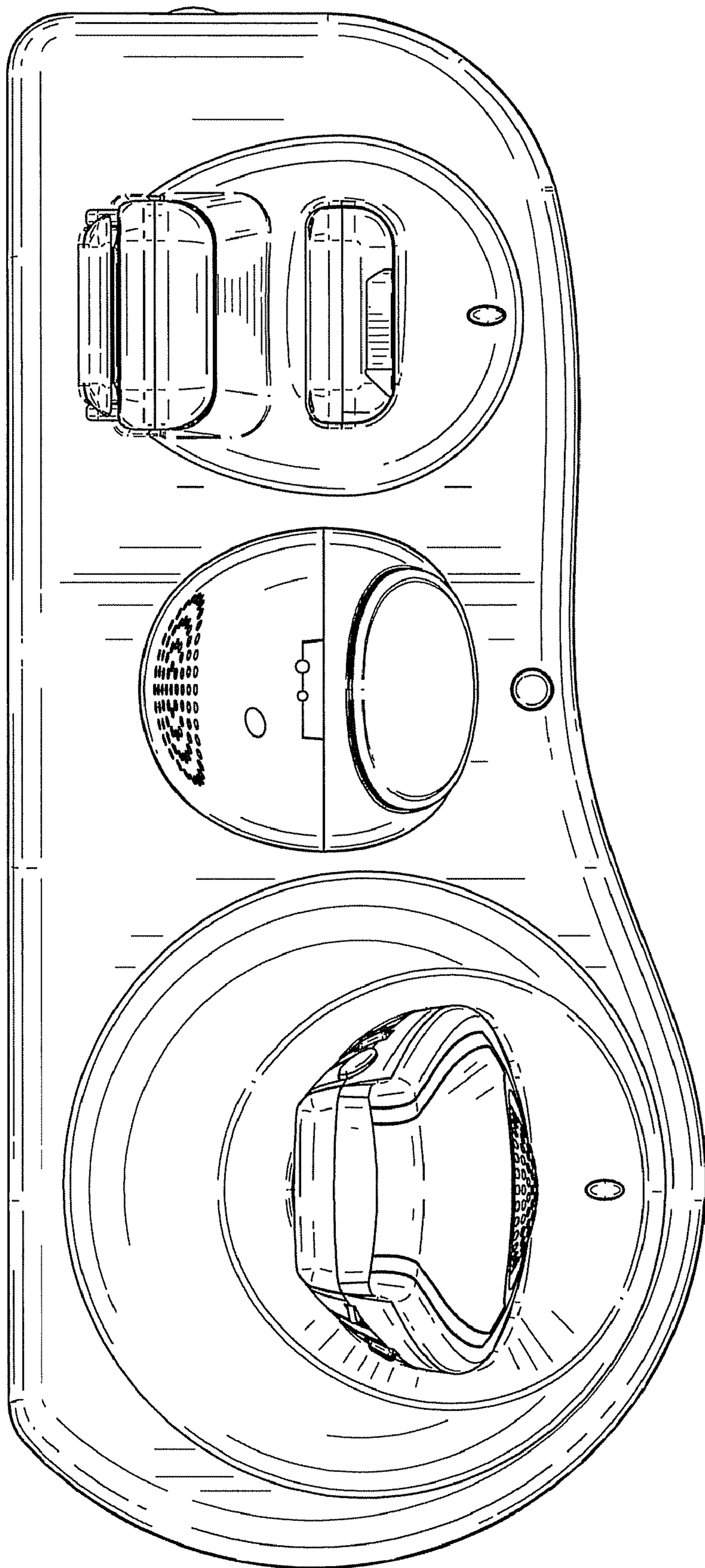


FIG. 4

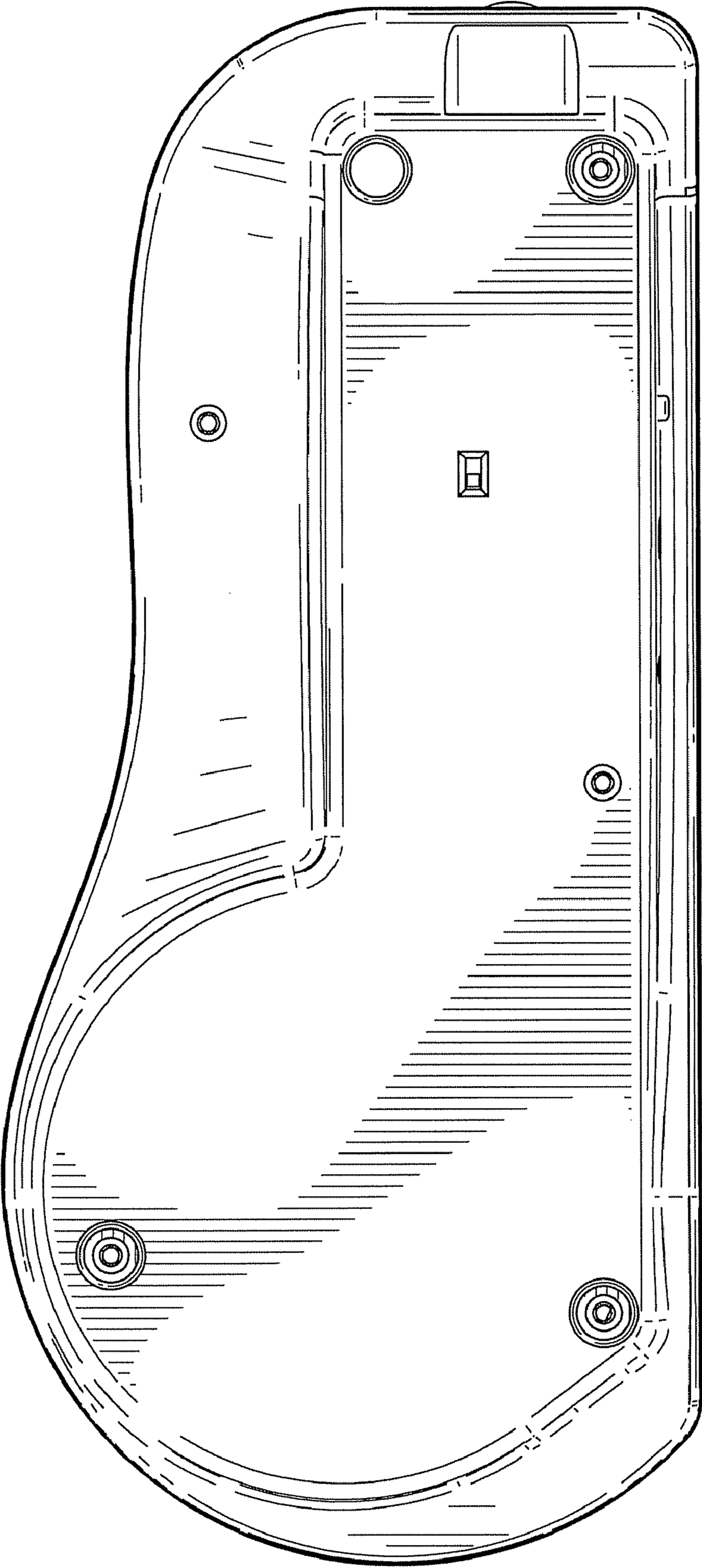


FIG. 5

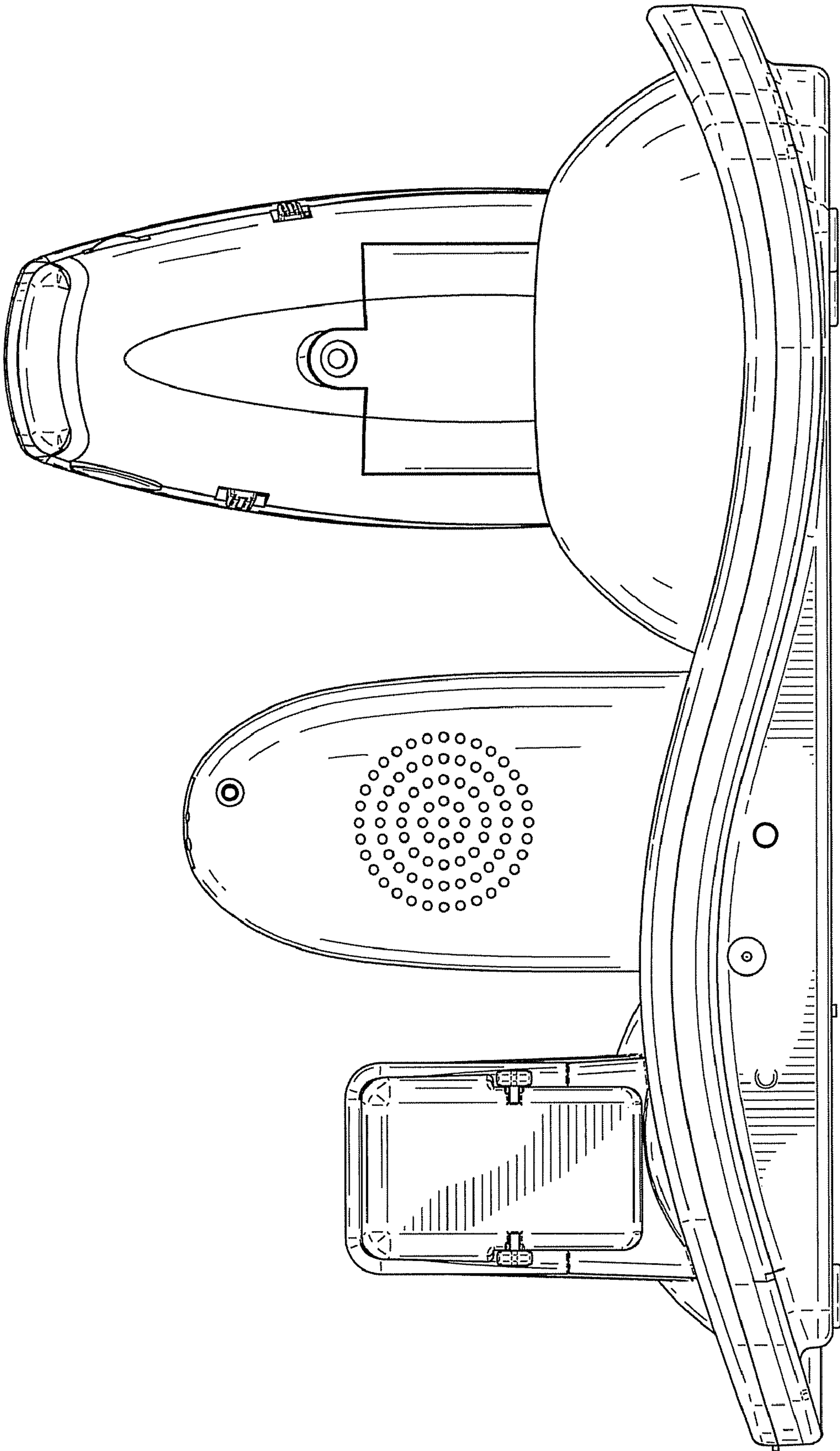


FIG. 6

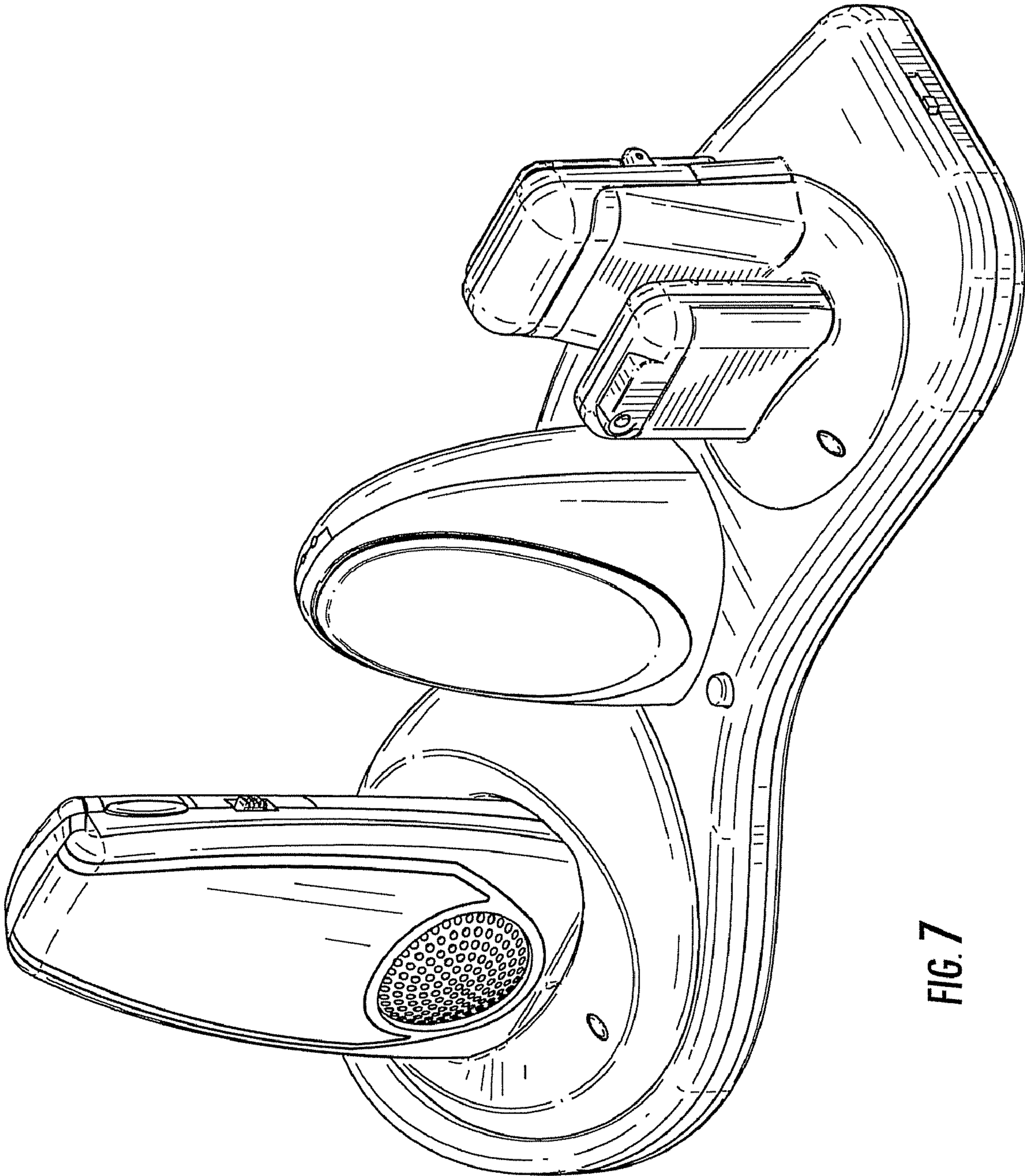


FIG. 7