



US00D625701S

(12) **United States Design Patent**
Miyawaki

(10) **Patent No.:** **US D625,701 S**

(45) **Date of Patent:** **** Oct. 19, 2010**

(54) **DIGITAL AUDIO PLAYER**

D534,887 S * 1/2007 Endo et al. D14/505
D558,196 S * 12/2007 Kaneko et al. D14/257

(75) Inventor: **Masayuki Miyawaki**, Chigasaki (JP)

* cited by examiner

(73) Assignee: **Clarion Co., Ltd.**, Tokyo (JP)

Primary Examiner—Nanda Bondade

(**) Term: **14 Years**

(74) *Attorney, Agent, or Firm*—Oliff & Berridge, PLC

(21) Appl. No.: **29/328,714**

(57) **CLAIM**

(22) Filed: **Dec. 1, 2008**

The ornamental design for a digital audio player, as shown and described.

(51) **LOC (9) Cl.** **14-01**

(52) **U.S. Cl.** **D14/157**

(58) **Field of Classification Search** D14/496,
D14/498–505, 137, 157, 168, 188, 197–198,
D14/257–258; 360/99.02, 99.07; 369/75.11,
369/75.21, 77.11, 77.21; 720/601, 612, 619,
720/649, 655; 455/344, 347–351

See application file for complete search history.

DESCRIPTION

FIG. 1 is a perspective view of a digital audio player;
FIG. 2 is a front view thereof;
FIG. 3 is a rear view thereof;
FIG. 4 is a left-side view thereof;
FIG. 5 is a right-side view thereof;
FIG. 6 is a top view thereof; and,
FIG. 7 is a bottom view thereof.

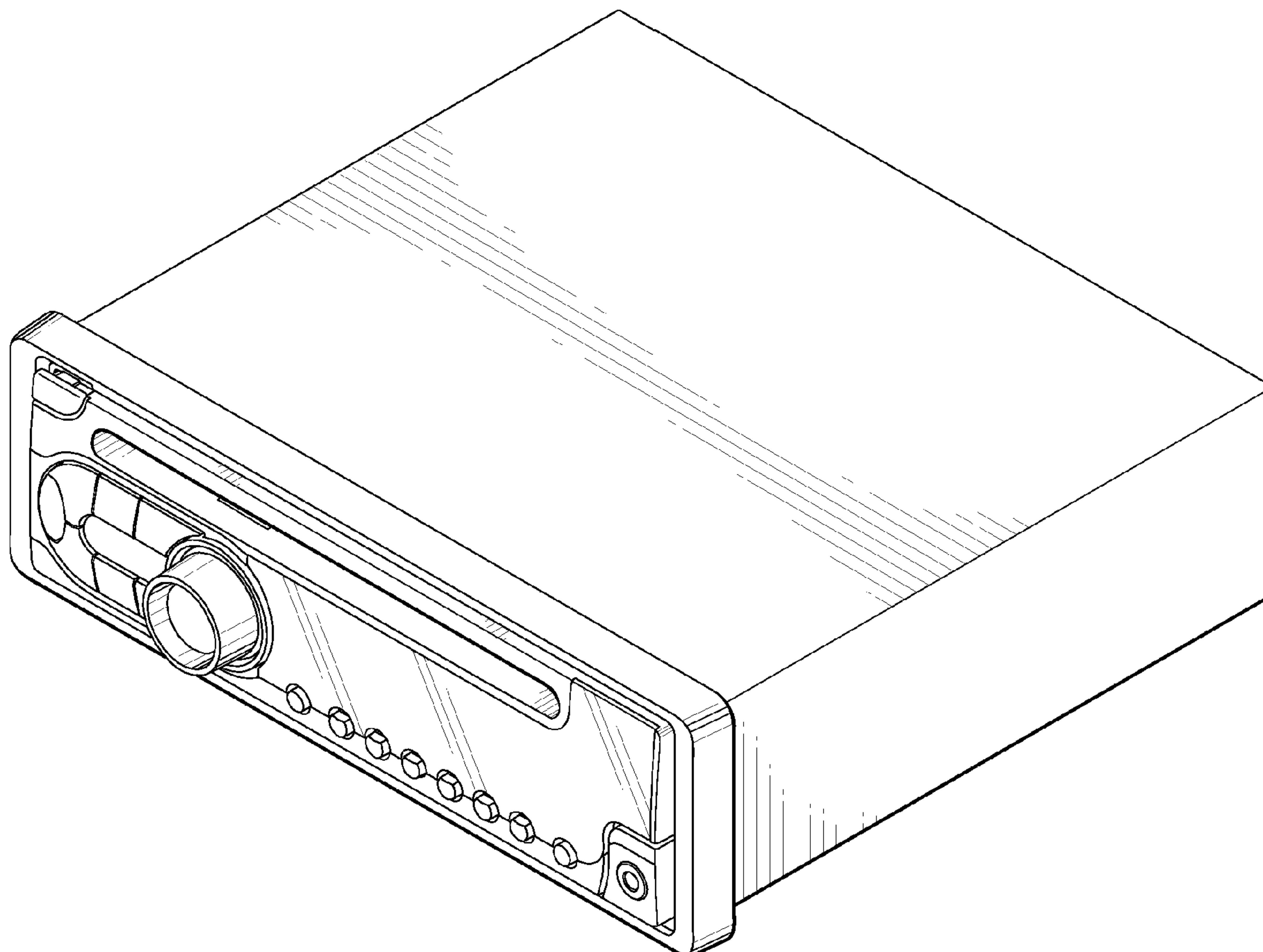
The broken lines depict environmental subject matter only and form no part of the claimed design.

(56) **References Cited**

U.S. PATENT DOCUMENTS

D311,404 S * 10/1990 Repasky D14/258
D528,101 S * 9/2006 Yoshihara D14/157
D532,006 S * 11/2006 Kim D14/258

1 Claim, 5 Drawing Sheets



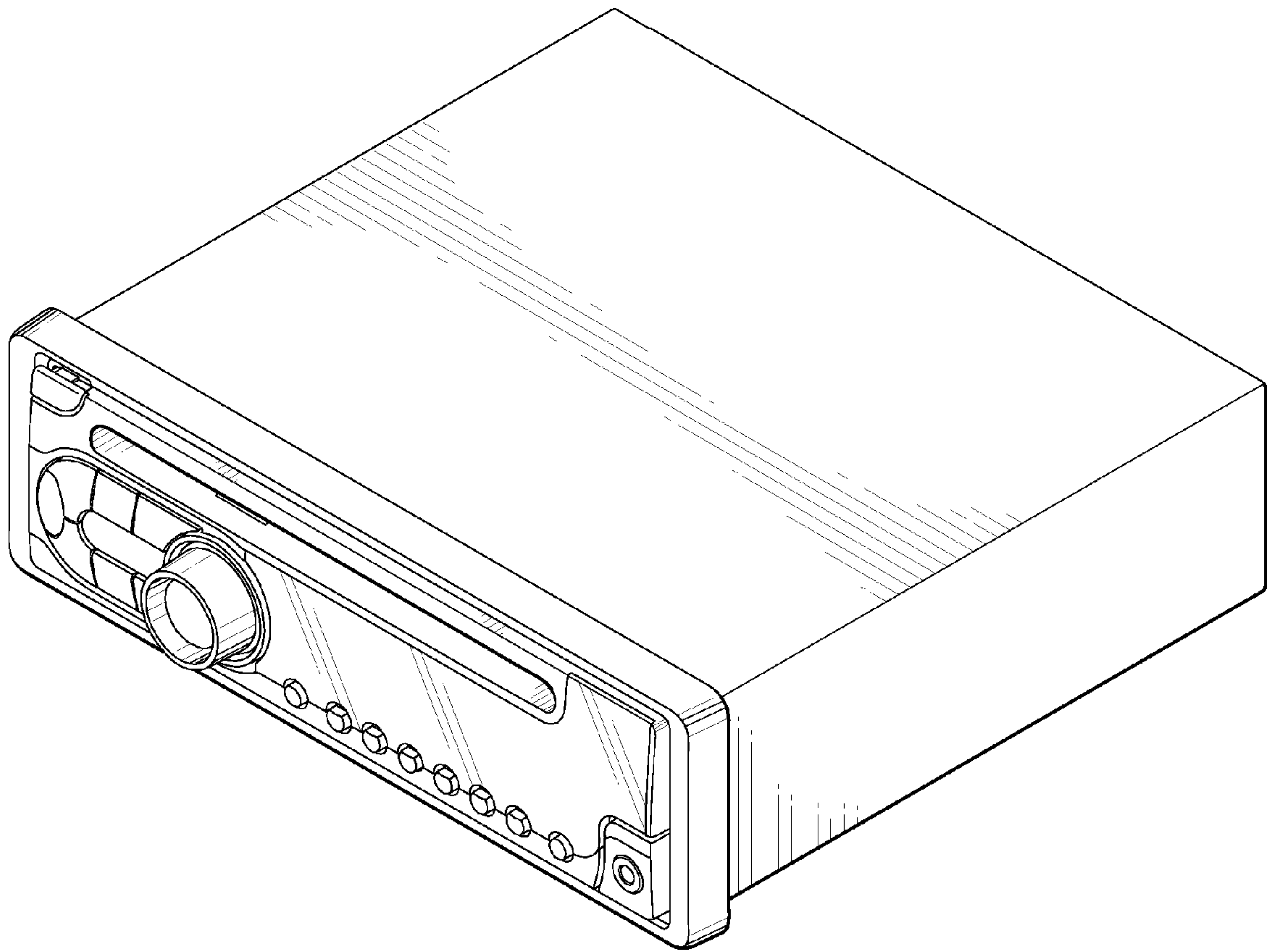


FIG. 1

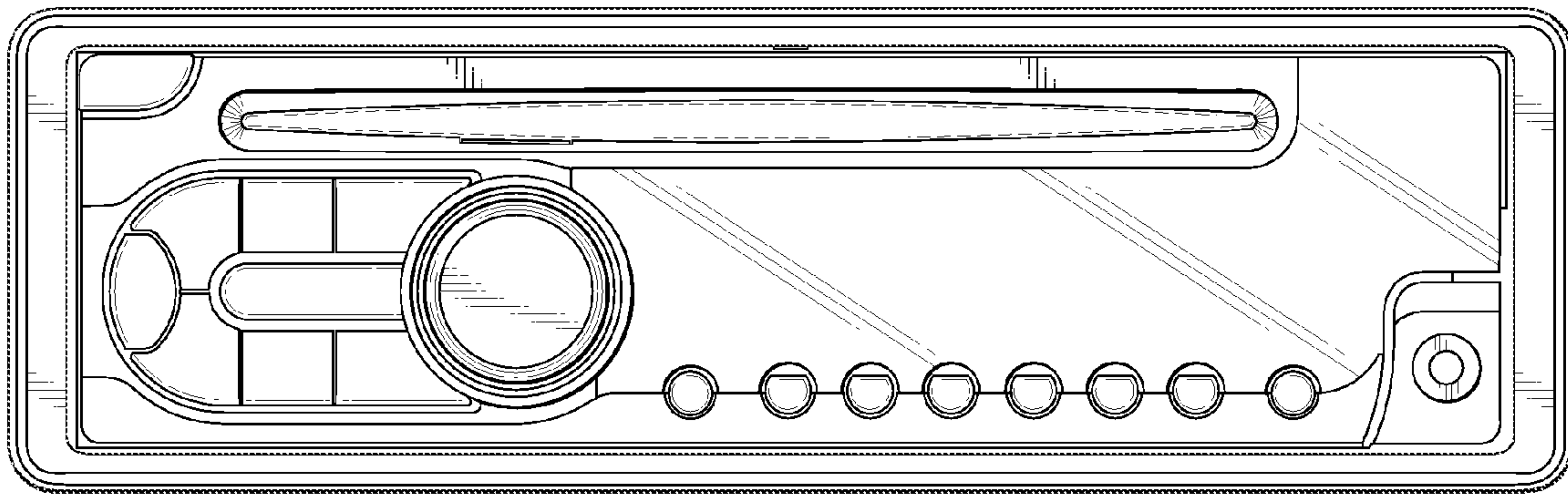


FIG. 2

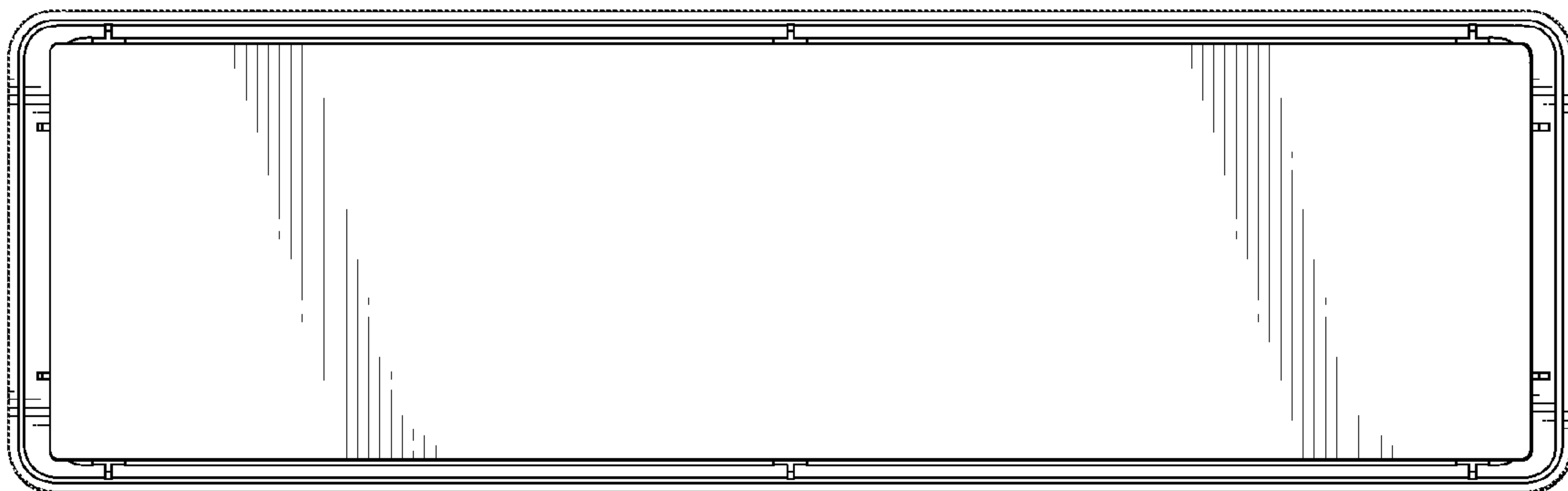


FIG. 3

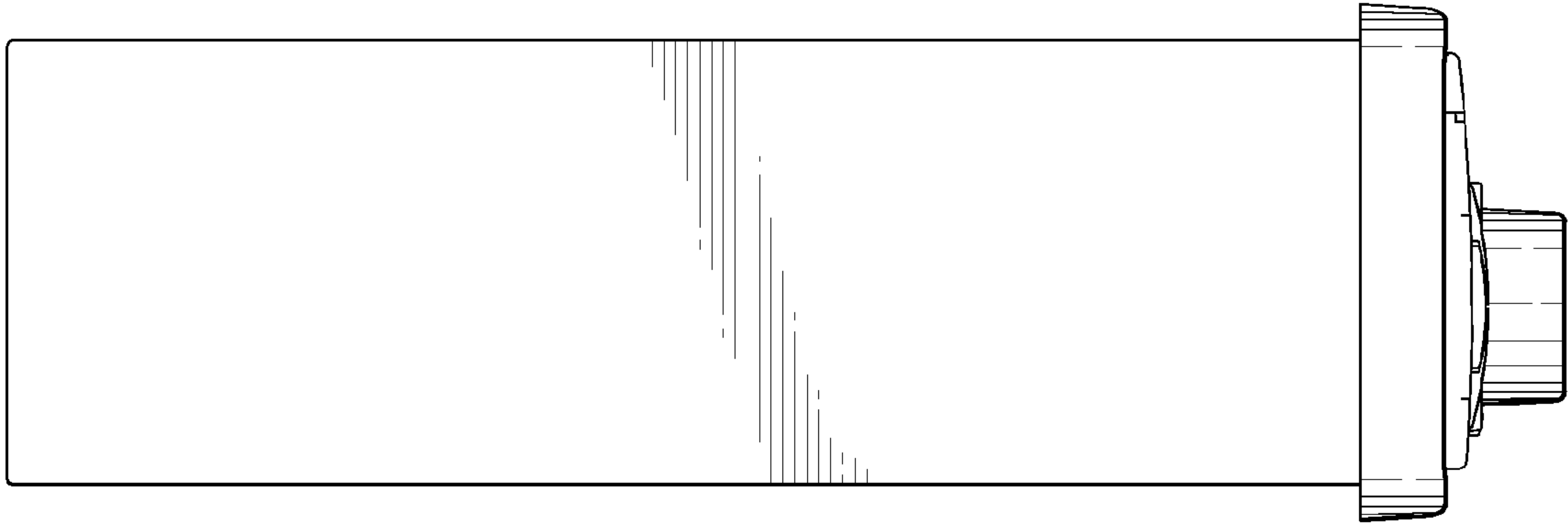


FIG. 4

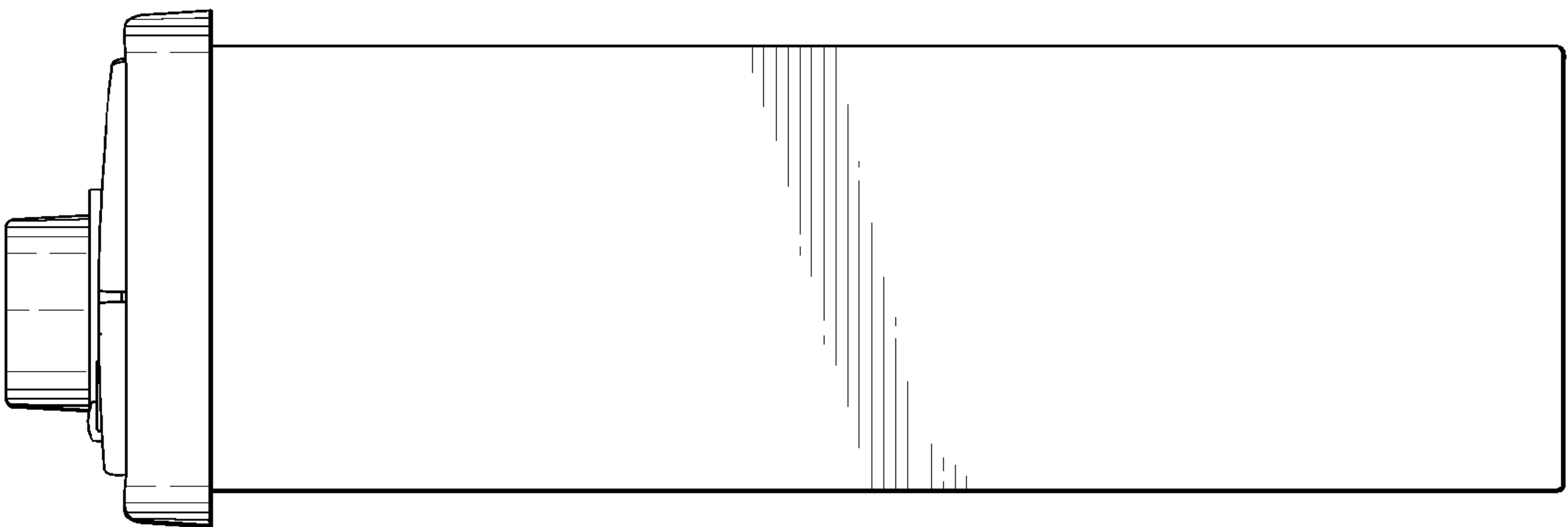


FIG. 5

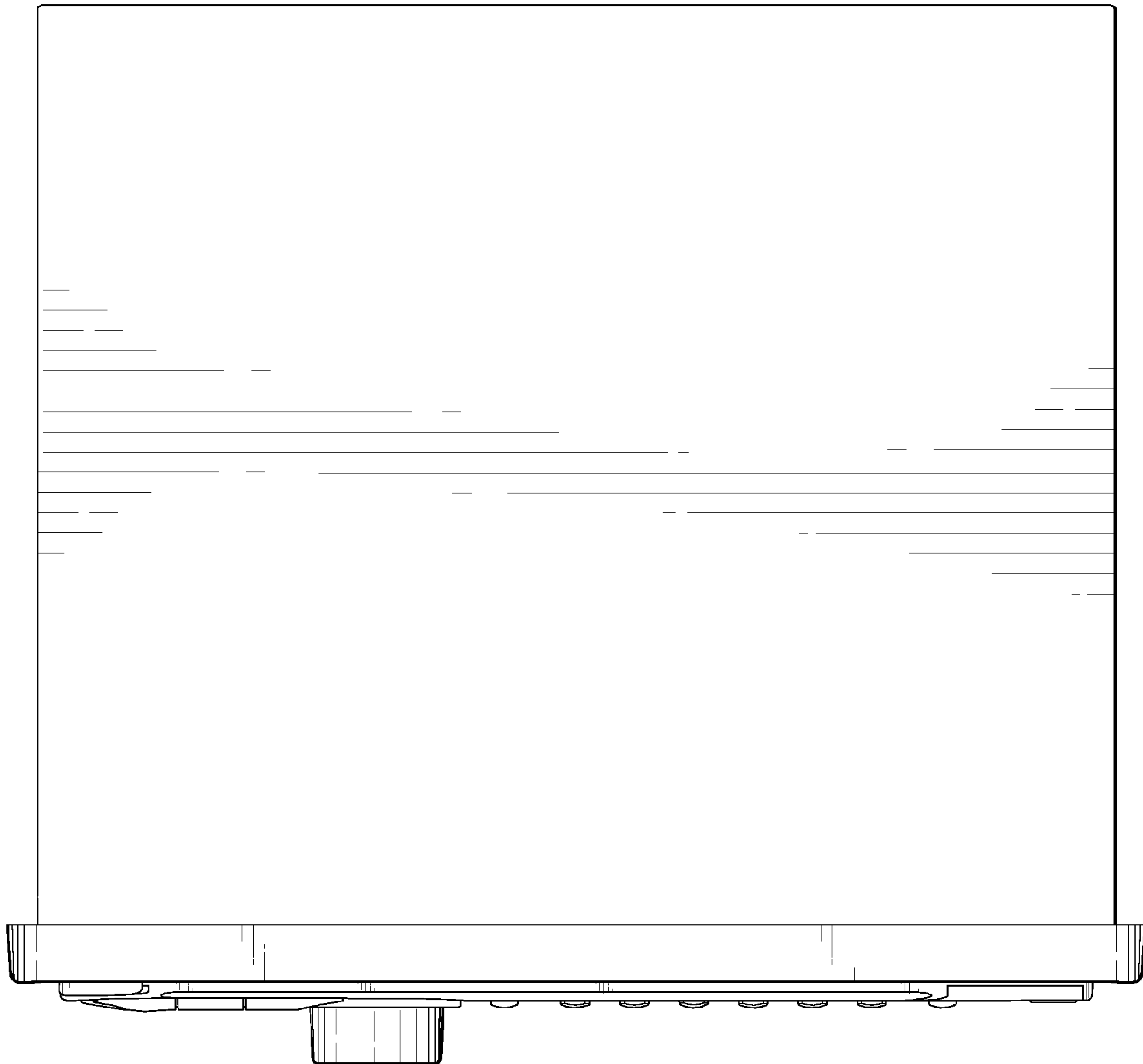


FIG. 6

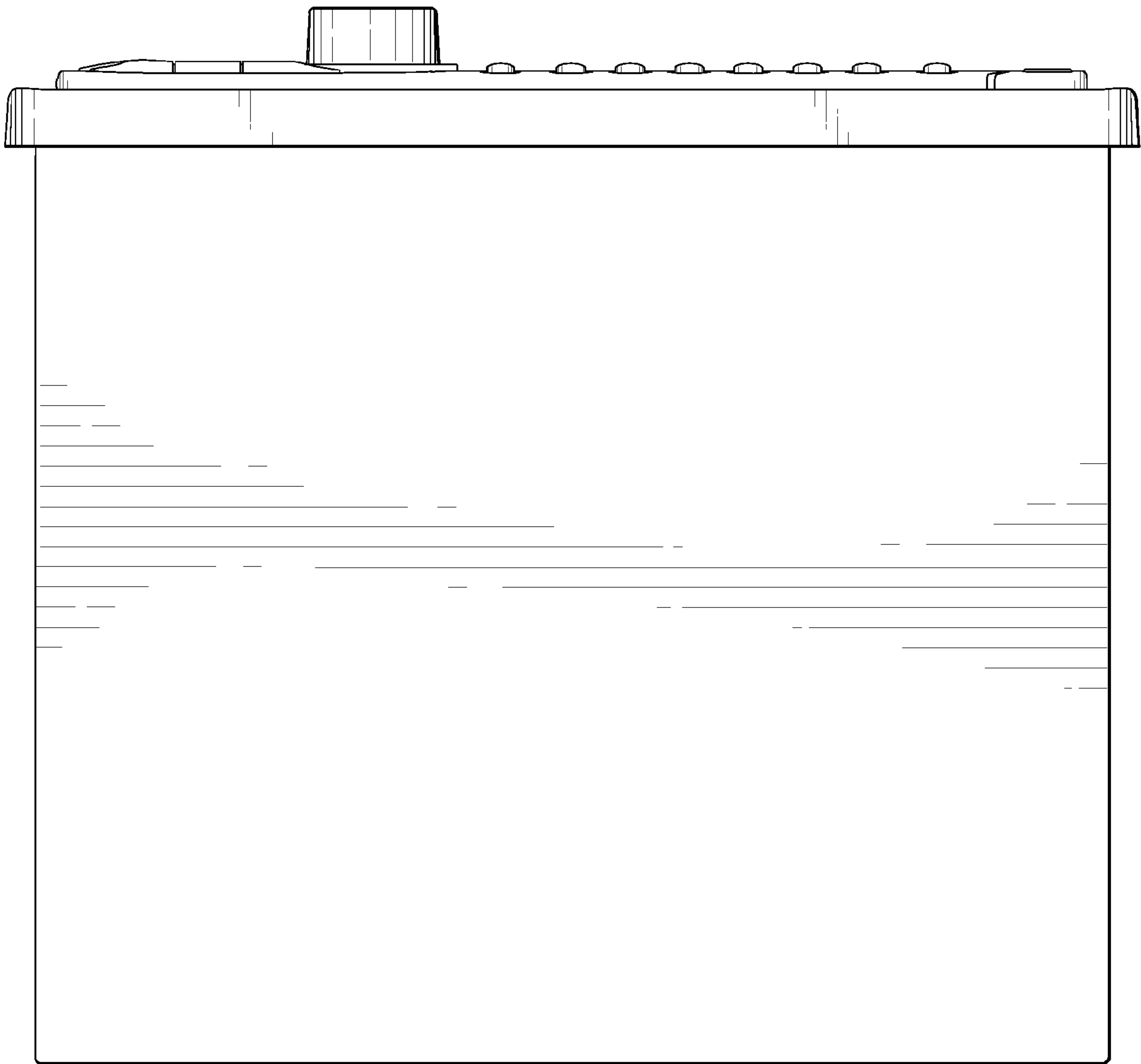


FIG. 7