



US00D625698S

(12) **United States Design Patent**  
**Miyazaki et al.**

(10) **Patent No.:** **US D625,698 S**  
(45) **Date of Patent:** **\*\* Oct. 19, 2010**

(54) **MOBILE PHONE**

(75) Inventors: **Hirohisa Miyazaki**, Tokyo (JP);  
**Jong-Seong Lee**, Seoul (KR); **Yuzuru Masuda**, Tokyo (JP)

(73) Assignee: **Samsung Electronics Co., Ltd.** (KR)

(\*\*) Term: **14 Years**

(21) Appl. No.: **29/344,098**

(22) Filed: **Sep. 23, 2009**

(30) **Foreign Application Priority Data**

Aug. 18, 2009 (KR) ..... 30-2009-0036280

(51) **LOC (9) Cl.** ..... **14-03**

(52) **U.S. Cl.** ..... **D14/138 AB**

(58) **Field of Classification Search** ..... D14/138 AB,  
D14/496, 341, 345, 346, 203.3, 203.4, 203.7;  
455/575.3; D21/517; 379/433.13

See application file for complete search history.

(56) **References Cited**

**U.S. PATENT DOCUMENTS**

- D63,421 S \* 12/1923 Lord ..... D5/58
- D97,989 S \* 12/1935 Chassman ..... D5/47
- D146,938 S \* 6/1947 Crane ..... D28/83
- D282,690 S \* 2/1986 Legrottaglie ..... D28/83
- D323,503 S \* 1/1992 Yoneyama et al. ... D14/138 AA
- D401,017 S \* 11/1998 Thorpe ..... D28/78
- D462,809 S \* 9/2002 LaSpina et al. .... D28/78
- D525,230 S \* 7/2006 Kim et al. .... D14/138 AB
- D540,292 S \* 4/2007 Lee et al. .... D14/138 AB

(Continued)

**OTHER PUBLICATIONS**

BenQ A520 telephone, announced 1st quarter 2005, [online], [site visited Jun. 18, 2010]. Available from Internet ,<URL: <http://www.gsmarena.com>>.\*

Samsung S5150 Diva folder telephone, announced Dec. 2009, [online], [site visited Jun. 18, 2010]. Available from Internet ,<URL: <http://www.gsmarena.com>>.\*

Nokia 7070 Prism telephone, announced Apr. 2008, [online], [site visited Jun. 18, 2010]. Available from Internet ,<URL: <http://www.gsmarena.com>>.\*

(Continued)

*Primary Examiner*—Jeffrey D Asch  
(74) *Attorney, Agent, or Firm*—NSIP Law

(57) **CLAIM**

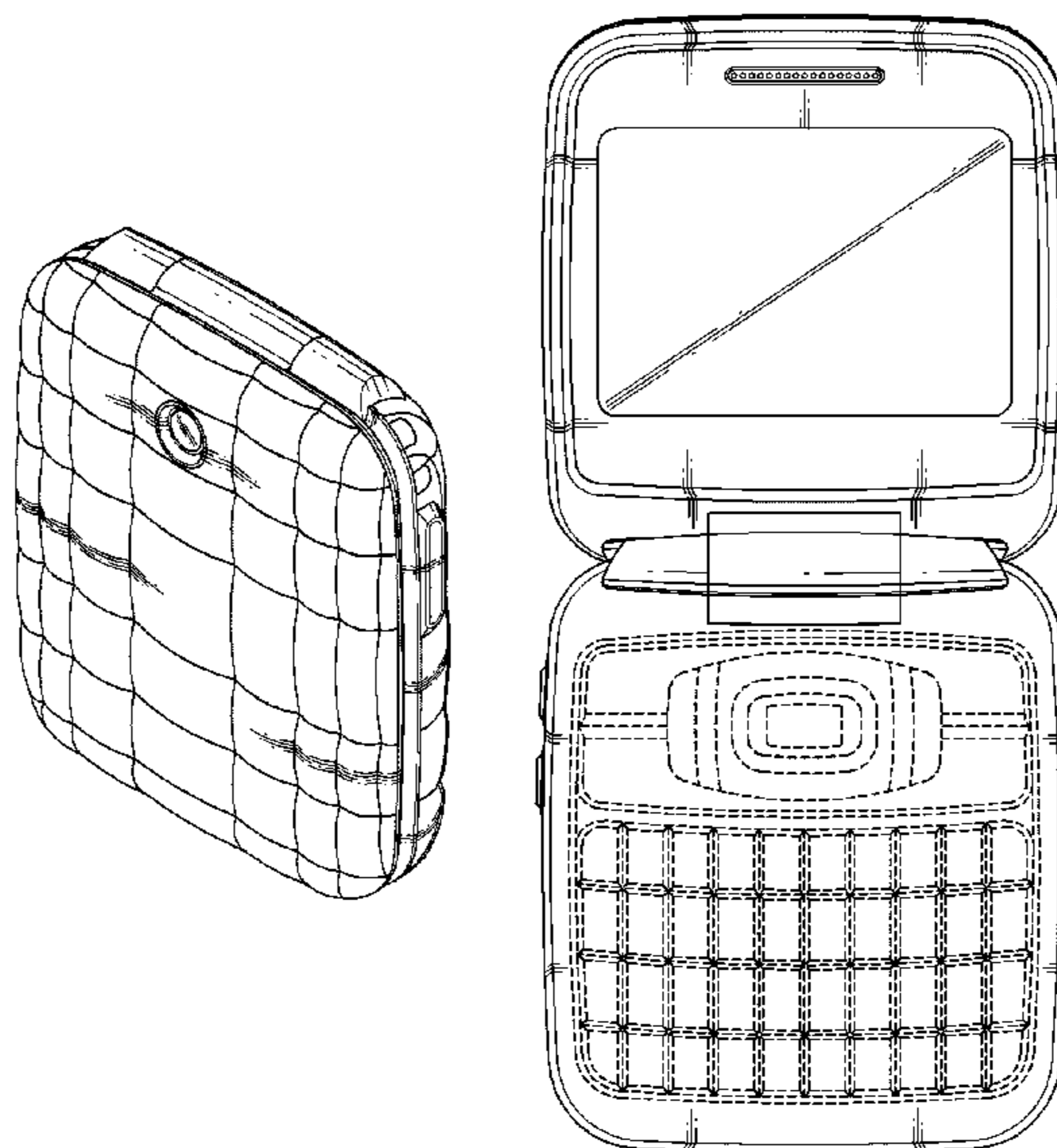
The ornamental design for a mobile phone, as shown and described.

**DESCRIPTION**

FIG. 1 is a perspective view of a mobile phone;  
 FIG. 2 is a front view of the mobile phone of FIG. 1;  
 FIG. 3 is a rear view of the mobile phone of FIG. 1;  
 FIG. 4 is a left-side view of the mobile phone of FIG. 1;  
 FIG. 5 is a right-side view of the mobile phone of FIG. 1;  
 FIG. 6 is a top plan view of the mobile phone of FIG. 1;  
 FIG. 7 is a bottom plan view of the mobile phone of FIG. 1;  
 and,  
 FIG. 8 is a front open view of the mobile phone of FIG. 1.

The broken lines shown in FIG. 8, which are immediately adjacent to the shaded areas and define an unshaded region, represent the bounds of the claimed design, while the other broken lines, all within the boundary, are directed to environment and are for illustrative purposes only; the broken lines form no part of the claimed design.

**1 Claim, 6 Drawing Sheets**



# US D625,698 S

Page 2

## U.S. PATENT DOCUMENTS

D579,153 S \* 10/2008 Lee ..... D28/83  
D584,268 S \* 1/2009 Kim ..... D14/138 AB  
D585,409 S \* 1/2009 Kim ..... D14/138 AB  
D589,486 S \* 3/2009 He ..... D14/138 AB  
D590,807 S \* 4/2009 Kim et al. .... D14/138 AB  
D596,609 S \* 7/2009 Kim et al. .... D14/138 AB  
D597,052 S \* 7/2009 Kim et al. .... D14/138 AB  
D602,894 S \* 10/2009 Lepoultier et al. ... D14/138 AB  
D606,533 S \* 12/2009 de Jong et al. .... D14/250  
D606,986 S \* 12/2009 de Jong et al. .... D14/250  
D607,430 S \* 1/2010 Song et al. .... D14/138 AB  
D612,353 S \* 3/2010 Kim ..... D14/138 AB

D612,827 S \* 3/2010 Song et al. .... D14/138 AB  
D613,718 S \* 4/2010 Lee et al. .... D14/138 AB  
2008/0293459 A1\* 11/2008 Wang ..... 455/575.3  
2009/0186670 A1\* 7/2009 Rak et al. .... 455/575.3

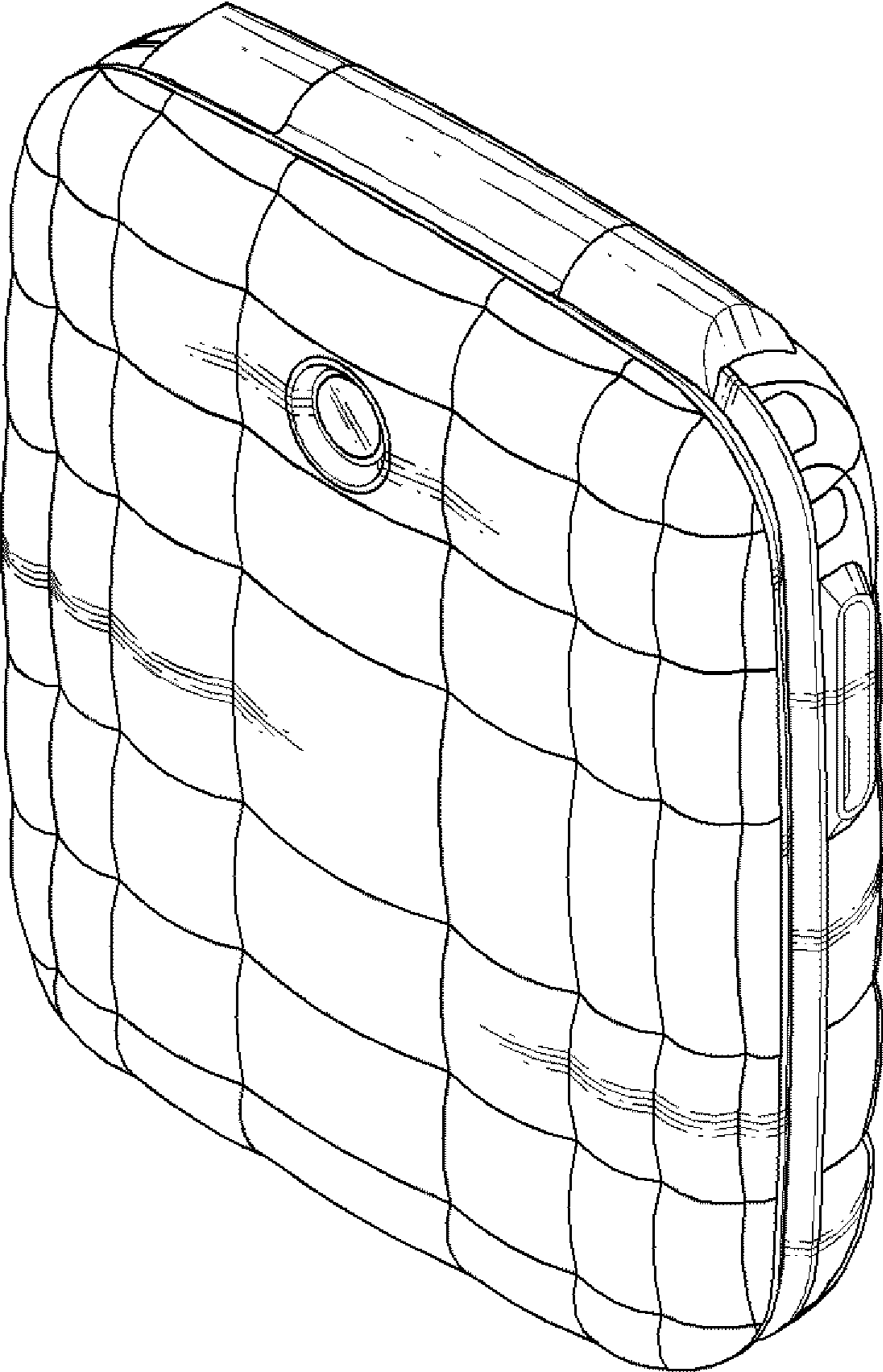
## OTHER PUBLICATIONS

NEC N910 telephone, announced 1<sup>st</sup> quarter 2004, [online], [site visited Jun. 18, 2010]. Available from Internet ,<URL: <http://www.gsmarena.com>>.\*

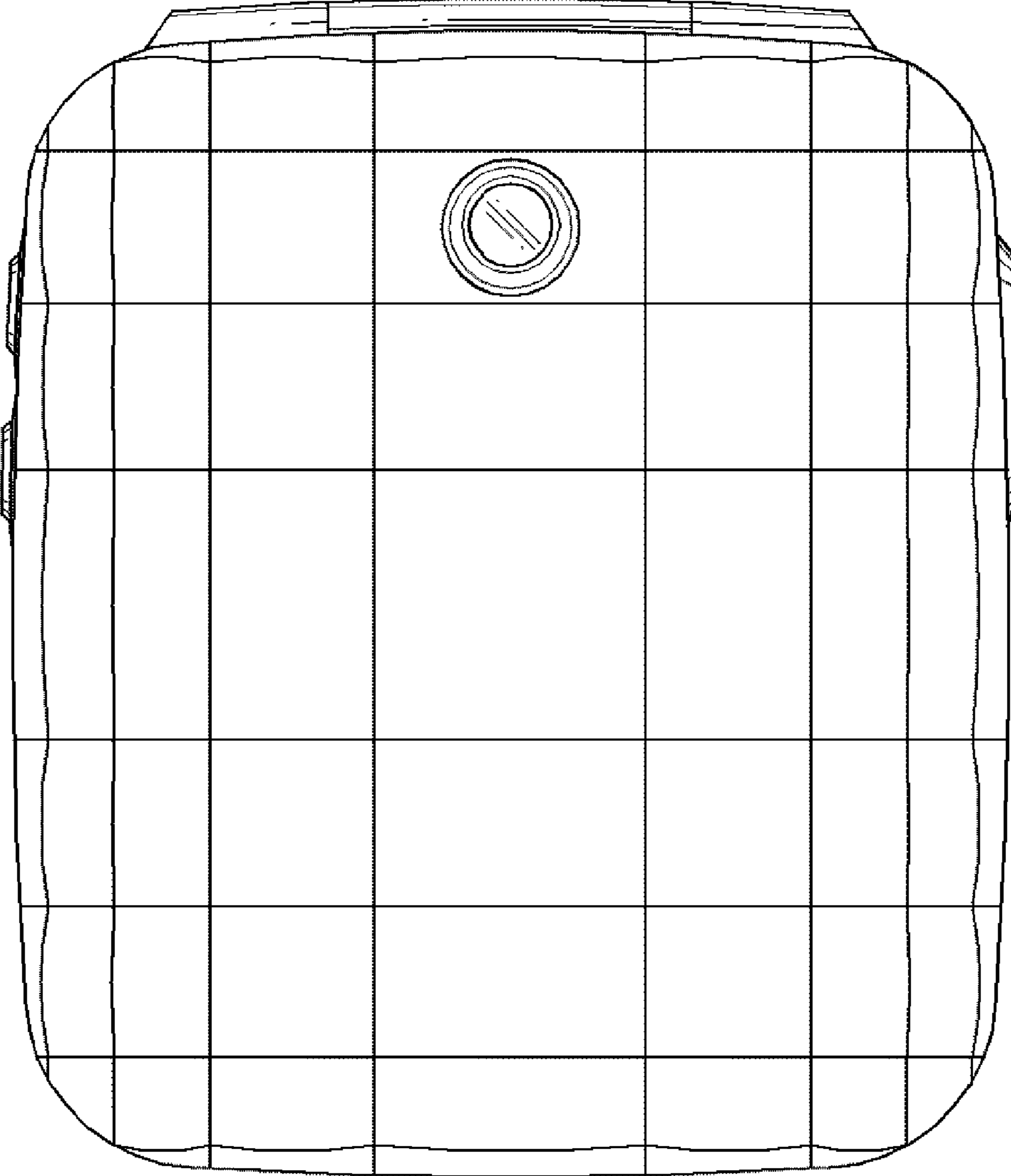
Telit t410 telephone, announced 1st quarter 2005, [online], [site visited Jun. 18, 2010]. Available from Internet ,<URL: <http://www.gsmarena.com>>.\*

\* cited by examiner

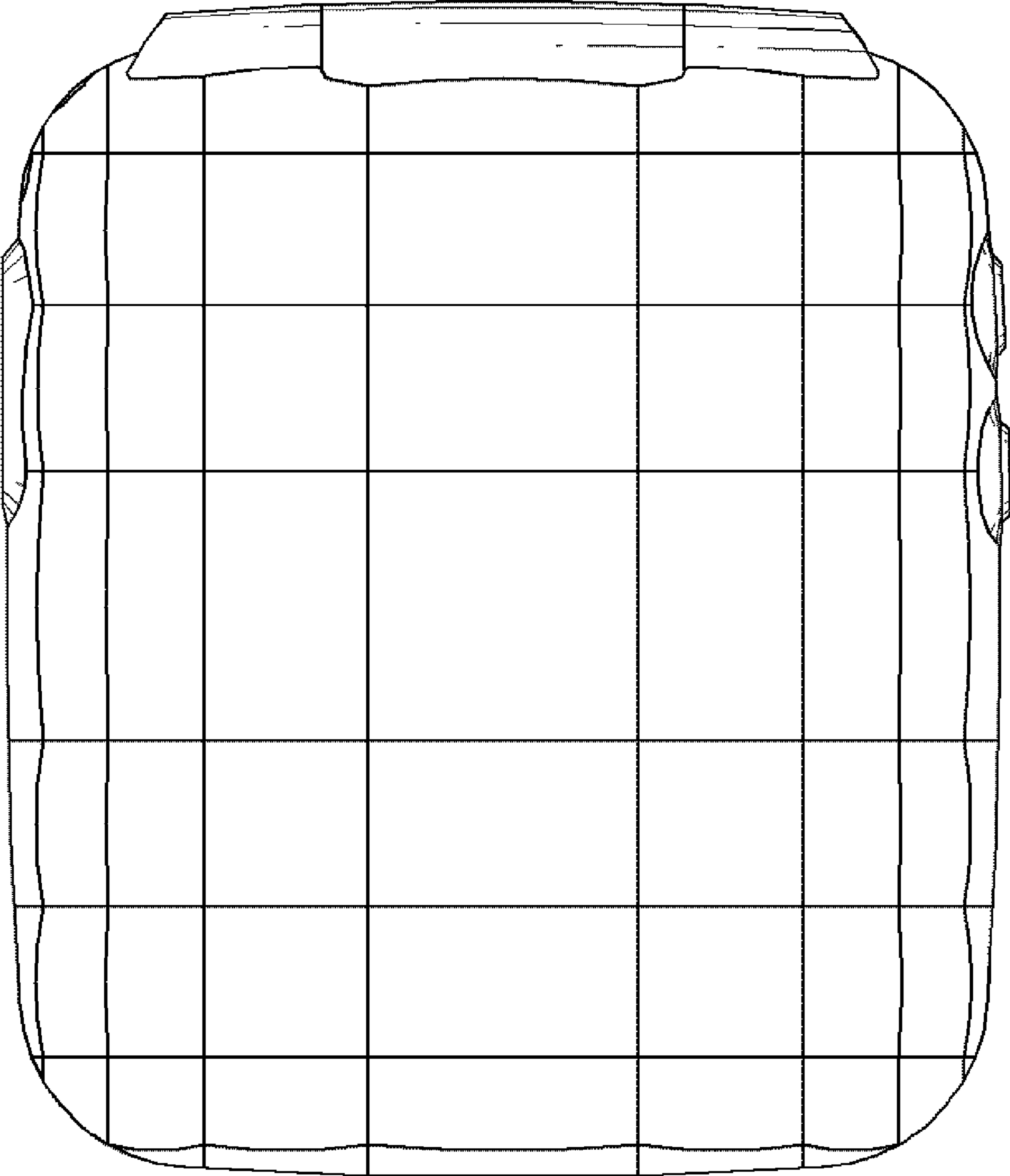
**FIG. 1**



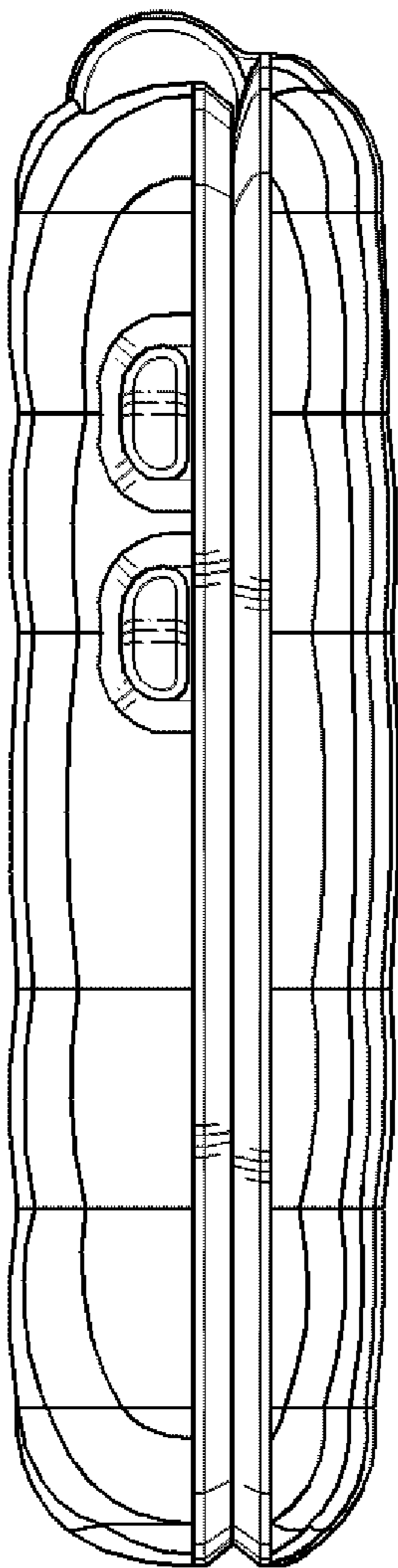
**FIG. 2**



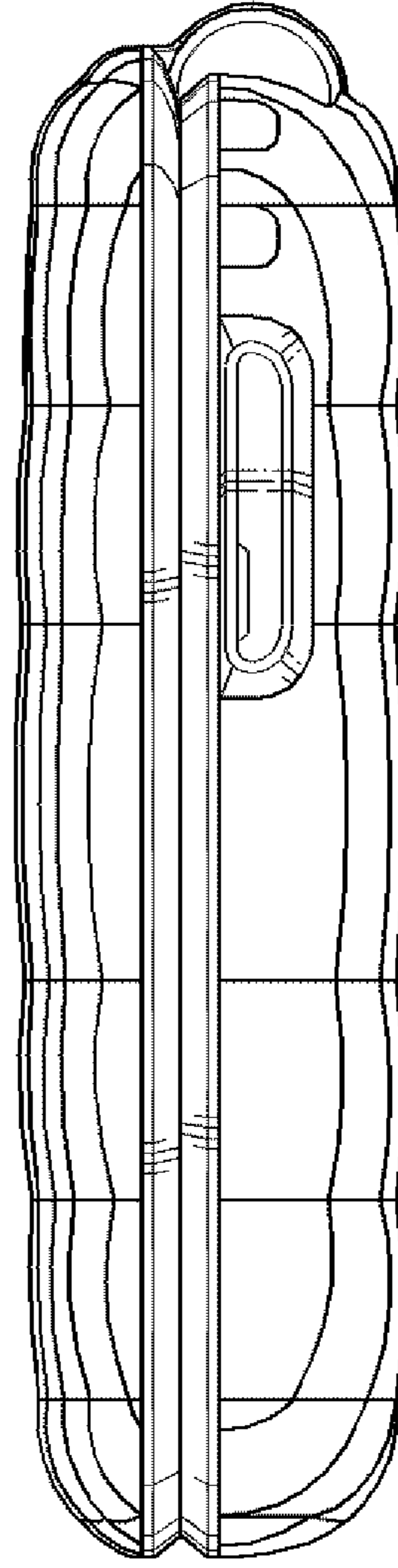
**FIG. 3**



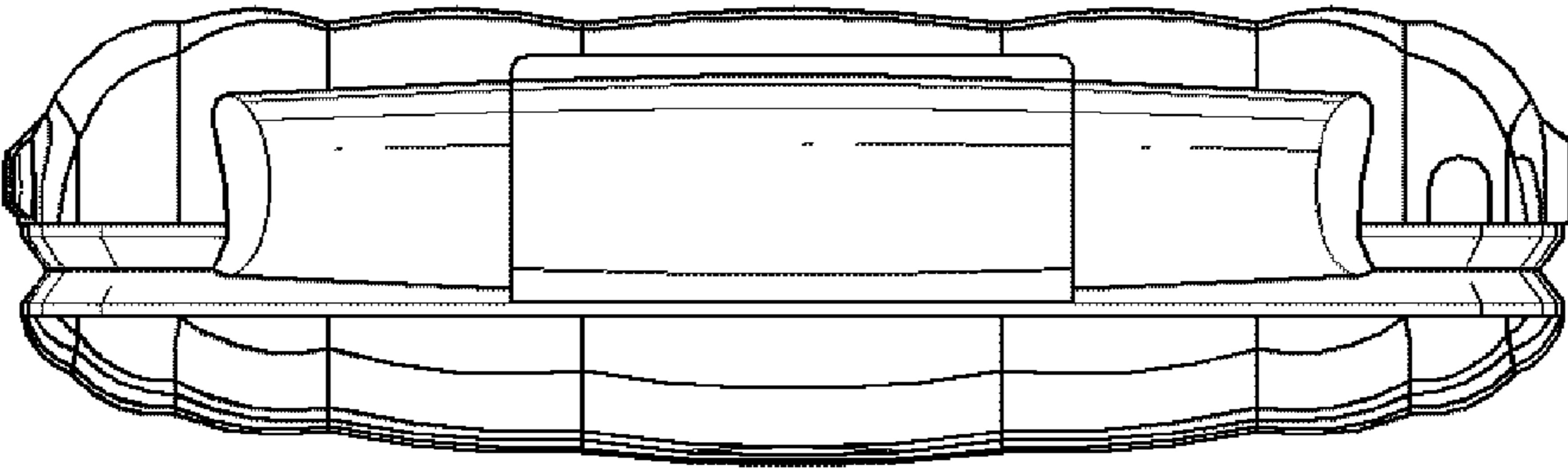
**FIG. 4**



**FIG. 5**



**FIG. 6**



**FIG. 7**

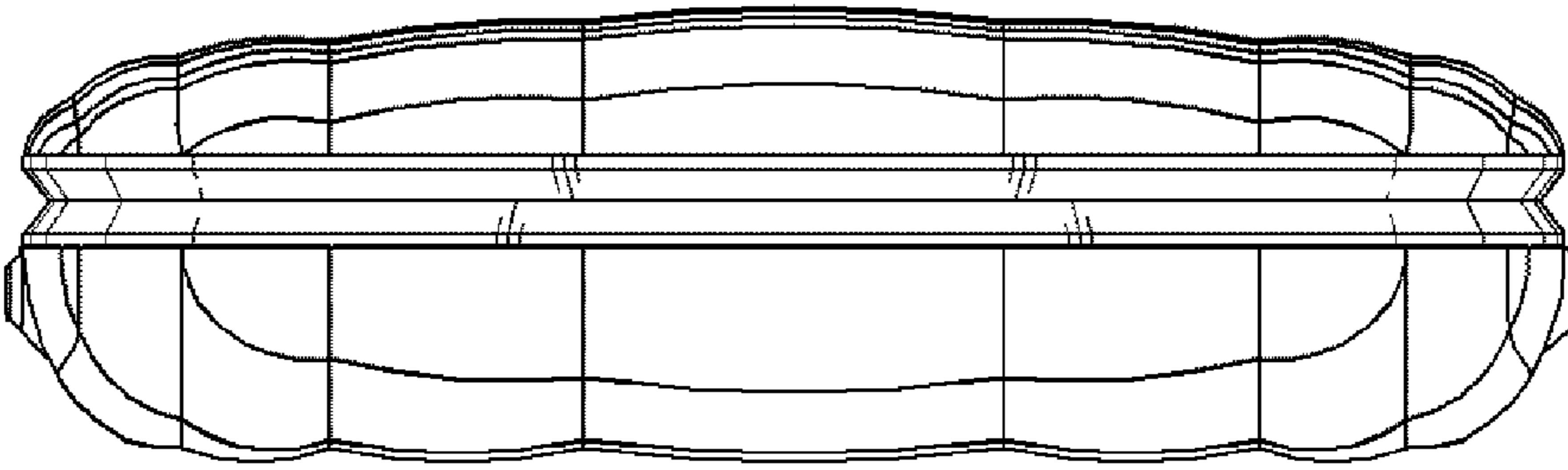


FIG. 8

