



US00D625697S

(12) **United States Design Patent**  
**Chien**

(10) **Patent No.:** **US D625,697 S**  
(45) **Date of Patent:** **\*\* Oct. 19, 2010**

(54) **DISPLAY**

(75) Inventor: **Chiao-Hung Chien**, Taipei (TW)

(73) Assignee: **Hannspree, Inc.**, Taipei County (TW)

(\*\*) Term: **14 Years**

(21) Appl. No.: **29/365,581**

(22) Filed: **Jul. 12, 2010**

(51) **LOC (9) Cl.** ..... **14-03**

(52) **U.S. Cl.** ..... **D14/126**

(58) **Field of Classification Search** ..... D14/125-134,  
D14/239, 371, 136, 374-377, 440, 450, 448,  
D14/336, 342; 312/7.2; 348/836, 838, 180,  
348/184, 325, 739; 341/12; 248/917-924,  
248/465; 345/104, 133, 156, 168, 87, 173;  
720/605, 669, 600, 655; 369/99, 197; 455/344,  
455/347; D21/329, 515, 577, 622, 333, 433,  
D21/448, 452, 450, 331; D6/477, 479, 300;  
273/148 B; 446/484, 175, 356; D10/15,  
D10/26

See application file for complete search history.

(56) **References Cited**

**U.S. PATENT DOCUMENTS**

D431,565 S \* 10/2000 Lin et al. .... D14/375  
D483,364 S \* 12/2003 Olson et al. .... D14/375

D531,148 S \* 10/2006 Lin ..... D14/126  
D533,854 S \* 12/2006 Rashid ..... D14/126  
D550,634 S \* 9/2007 Rashid ..... D14/126  
D563,339 S \* 3/2008 Tang ..... D14/126  
D564,471 S \* 3/2008 Lee ..... D14/126  
D616,402 S \* 5/2010 Chien ..... D14/126

\* cited by examiner

*Primary Examiner*—Raphael Barkai

(74) *Attorney, Agent, or Firm*—Ming Chow; Sinorica, LLC

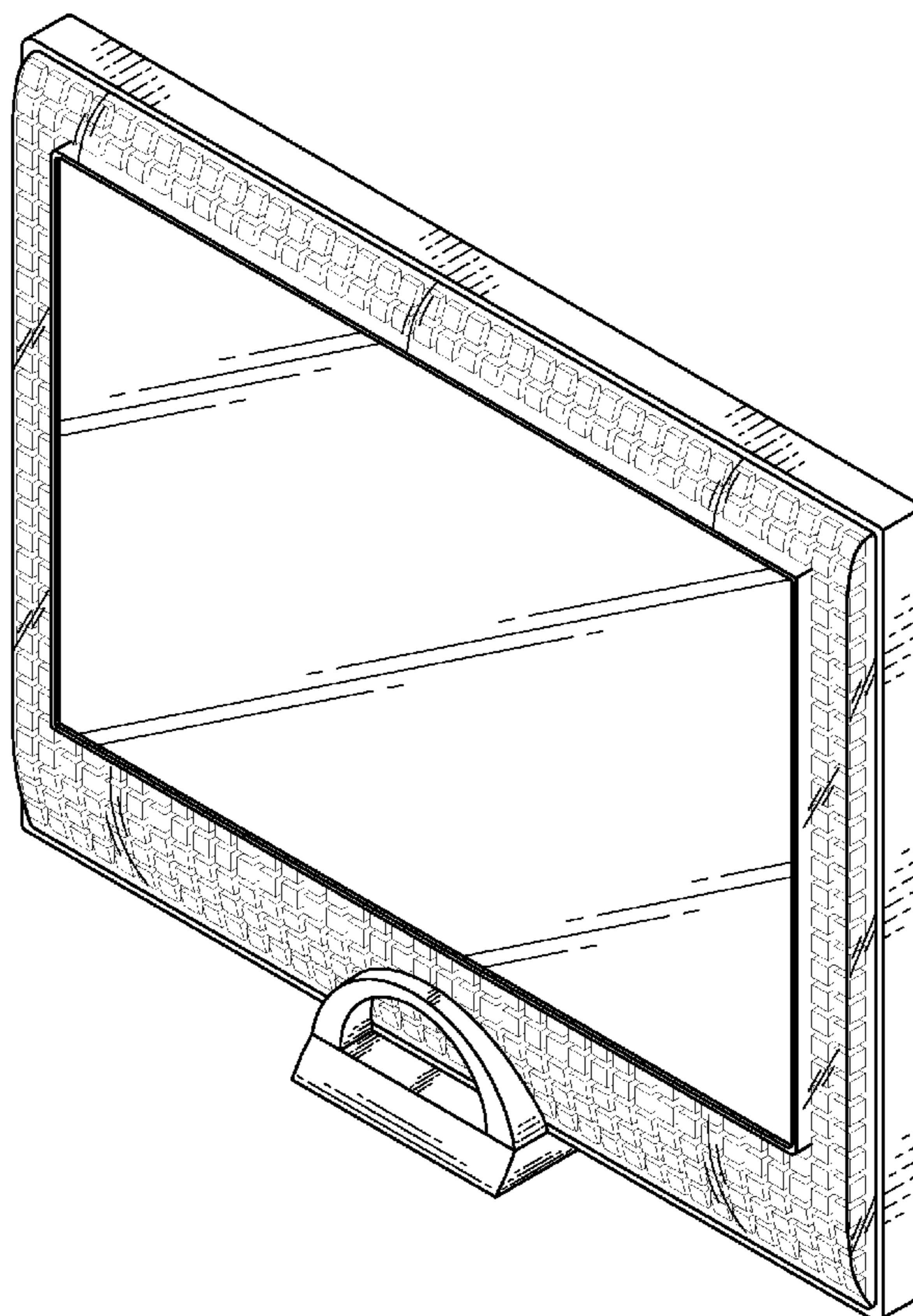
(57) **CLAIM**

The ornamental design for a display, as shown and described.

**DESCRIPTION**

FIG. 1. is a perspective view thereof;  
FIG. 2. is a front elevational view thereof;  
FIG. 3. is a rear elevational view thereof;  
FIG. 4. is a left side elevational view thereof;  
FIG. 5. is a right side elevational view thereof;  
FIG. 6. is a top plan view thereof; and,  
FIG. 7. is a bottom plan view thereof.

**1 Claim, 7 Drawing Sheets**



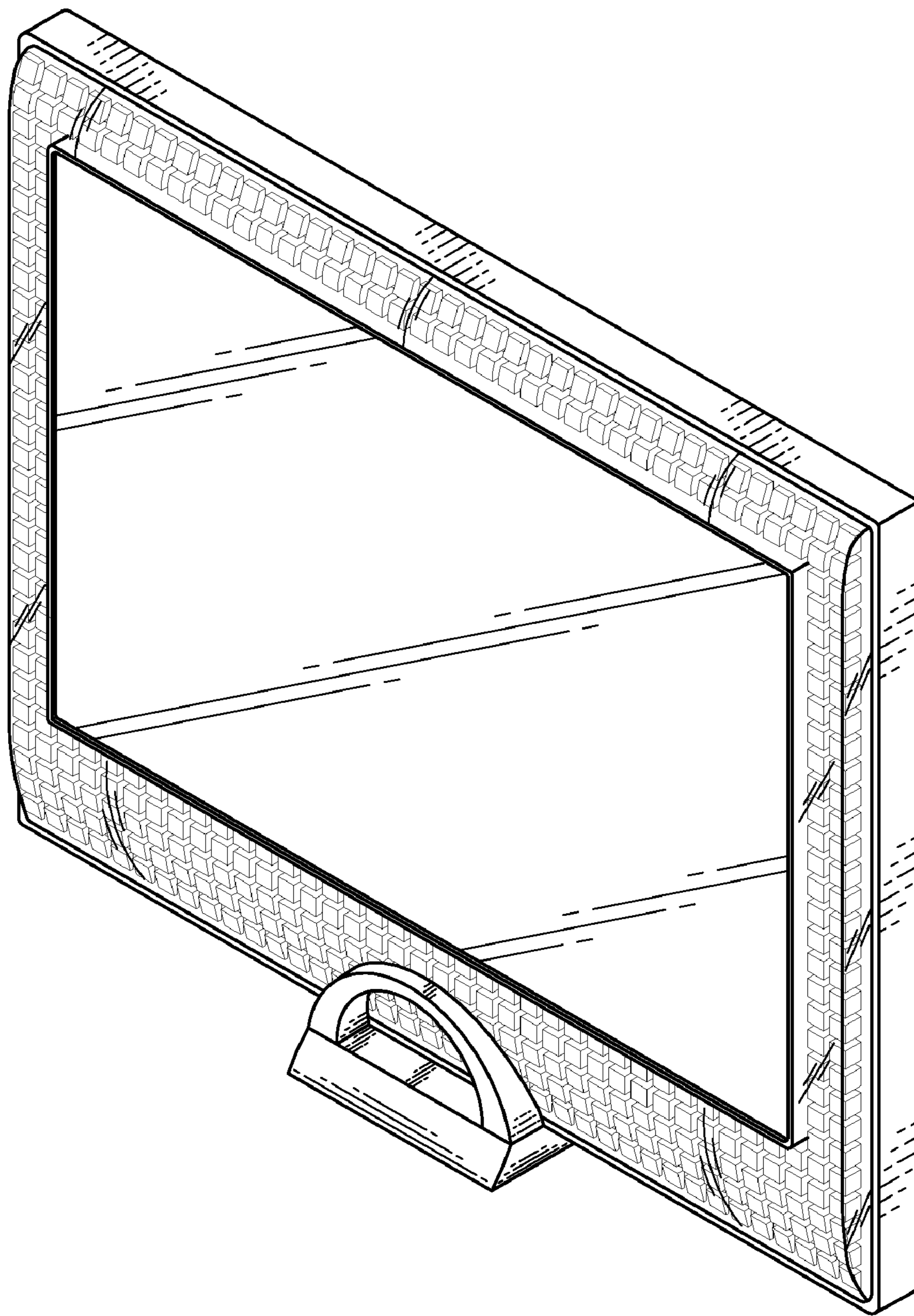


FIG. 1

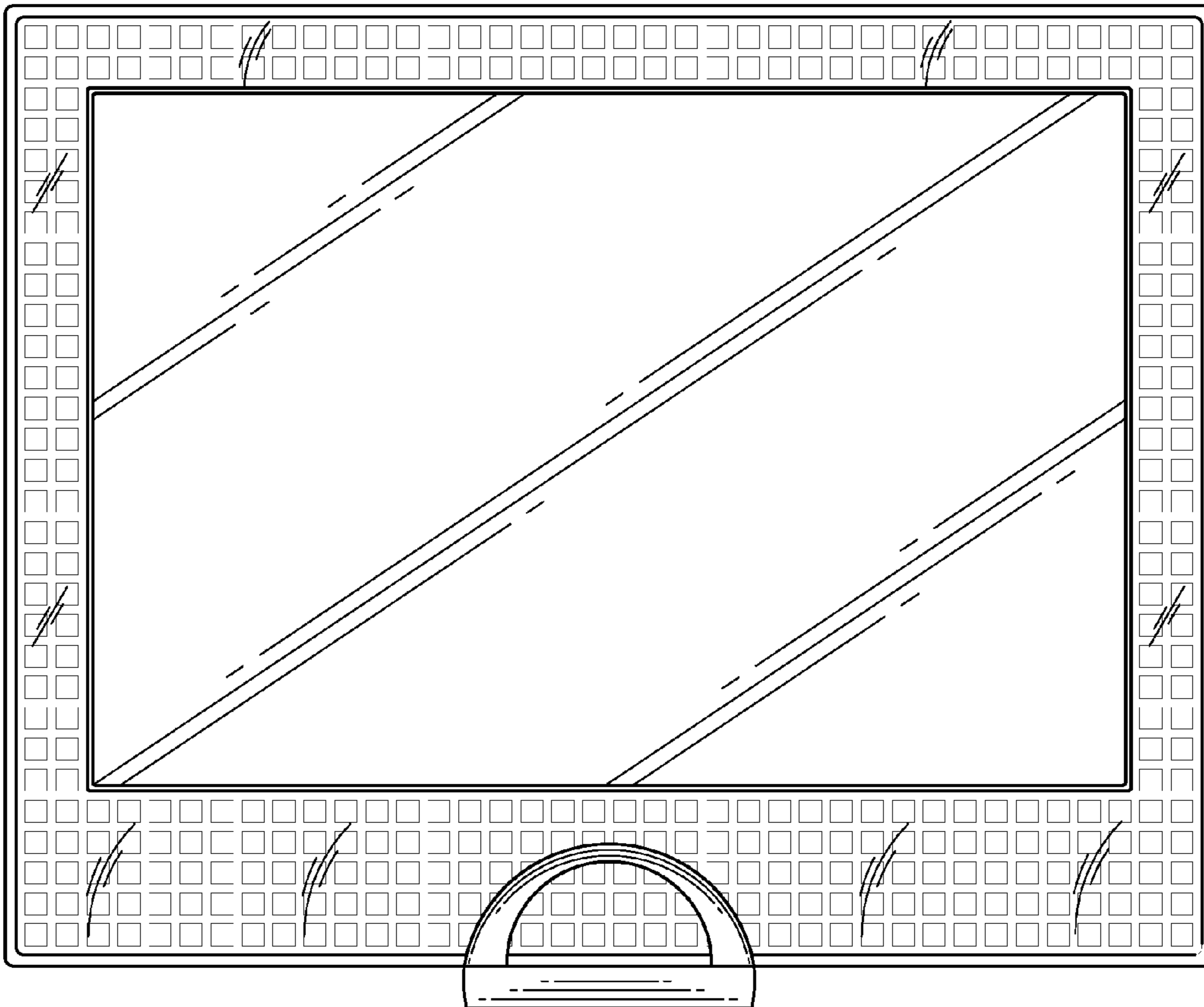


FIG. 2

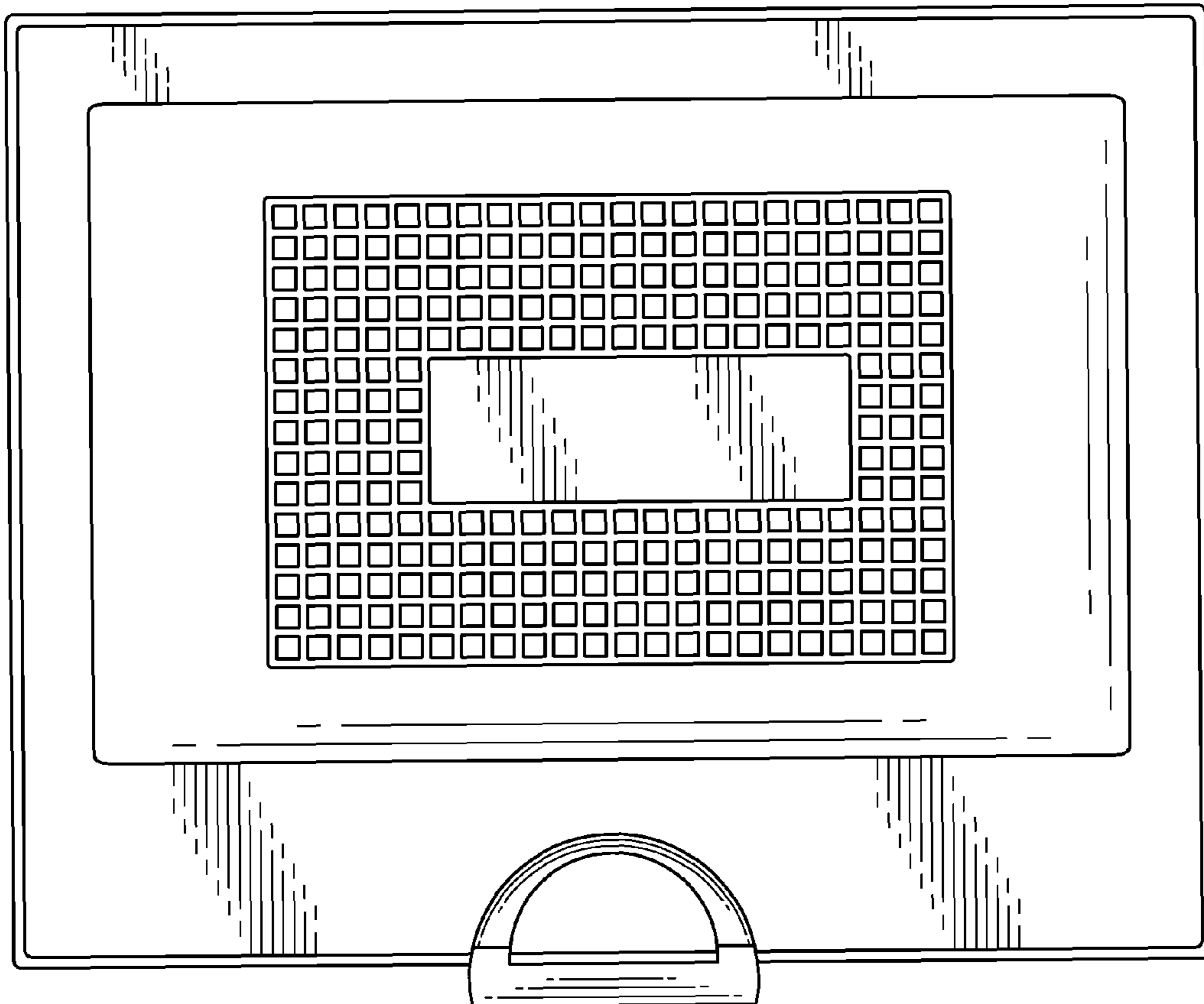


FIG. 3

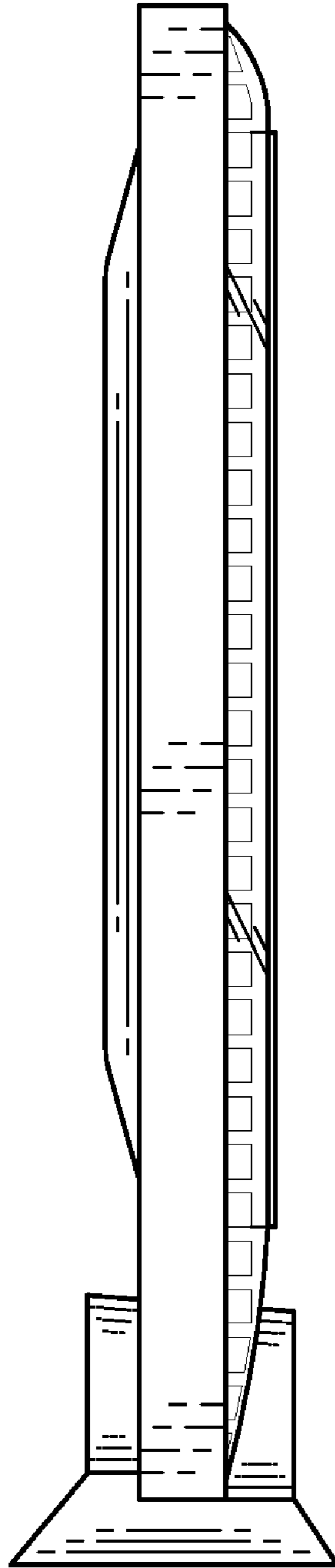


FIG. 4

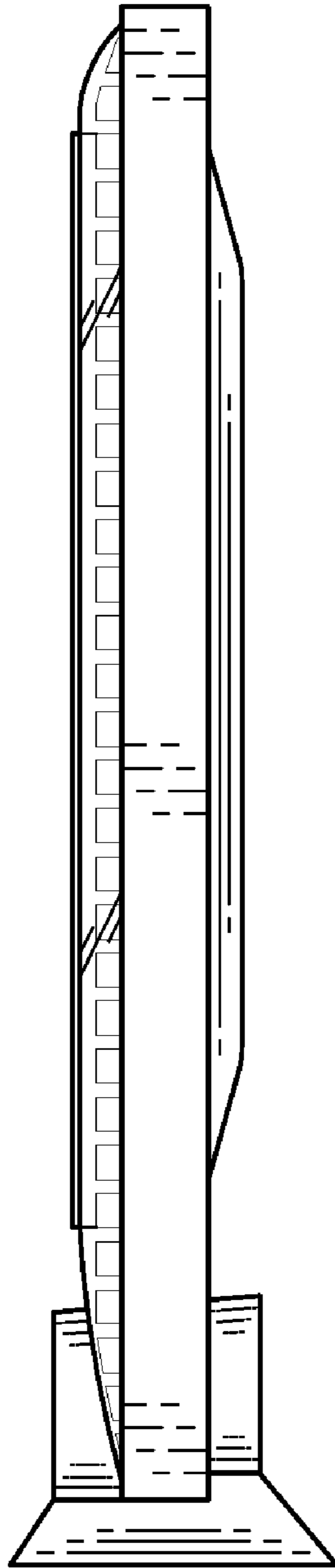


FIG. 5

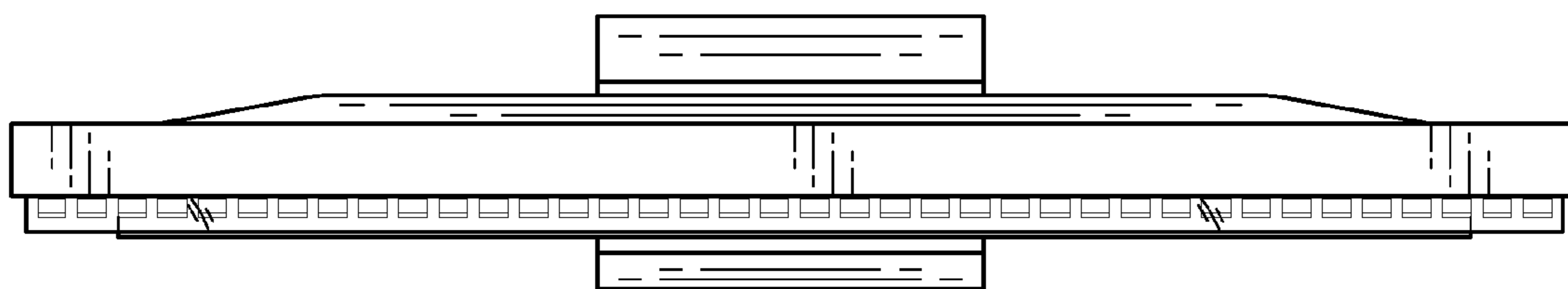


FIG.6



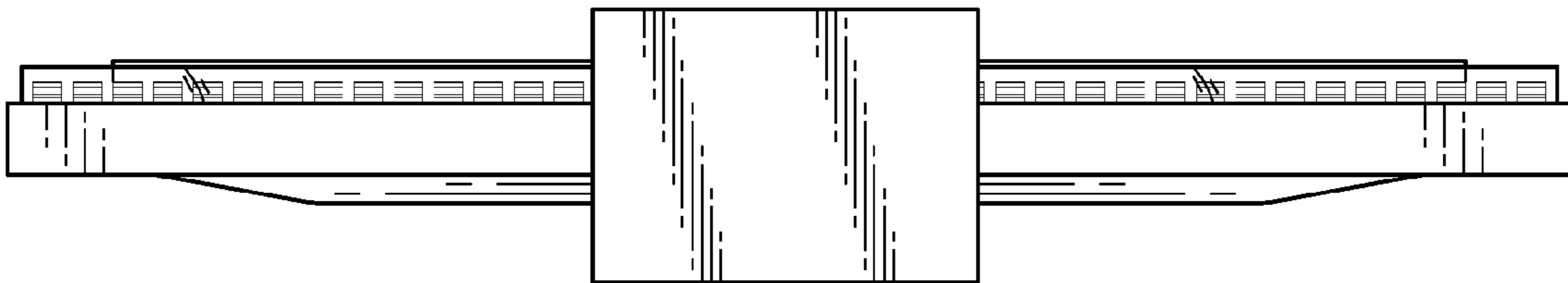


FIG. 7