



US00D625694S

(12) **United States Design Patent**
Morikawa et al.

(10) **Patent No.:** **US D625,694 S**
(45) **Date of Patent:** **** Oct. 19, 2010**

(54) **LIGHT EMITTING DIODE MODULE**

(75) Inventors: **Kazuto Morikawa**, Kanagawa (JP);
Yusuke Shibahara, Kanagawa (JP);
Akimichi Takahashi, Kanagawa (JP)

(73) Assignee: **Toshiba Lighting & Technology Corporation**, Kanagawa (JP)

(**) Term: **14 Years**

(21) Appl. No.: **29/353,209**

(22) Filed: **Jan. 5, 2010**

(30) **Foreign Application Priority Data**

Jul. 14, 2009 (JP) 2009-016011

(51) **LOC (9) Cl.** **13-03**

(52) **U.S. Cl.** **D13/180**

(58) **Field of Classification Search** D13/180;
D26/2; 257/79, 80, 81, 88, 89, 95, 98, 99,
257/100, E33.058; 313/483, 498, 500; 362/555,
362/800

See application file for complete search history.

(56) **References Cited**

U.S. PATENT DOCUMENTS

D573,553 S * 7/2008 Uemoto et al. D13/180
D575,245 S * 8/2008 Yen D13/180
D576,970 S * 9/2008 Uemoto et al. D13/180
D591,248 S * 4/2009 Imai et al. D13/180

D592,615 S * 5/2009 Imai et al. D13/180
D611,436 S * 3/2010 Ho D13/180
2004/0079957 A1* 4/2004 Andrews et al. 257/100
2004/0201987 A1* 10/2004 Omata 362/230

FOREIGN PATENT DOCUMENTS

JP 1328736 5/2008
JP 1339027 9/2008
JP 1361603 6/2009
JP 1368730 9/2009

* cited by examiner

Primary Examiner—Selina Sikder

(74) *Attorney, Agent, or Firm*—J.C. Patents

(57) **CLAIM**

The ornamental design for a light emitting diode module, as shown.

DESCRIPTION

FIG. 1 is a perspective view of a light emitting diode module showing our new design;

FIG. 2 is a front view thereof;

FIG. 3 is a rear view thereof;

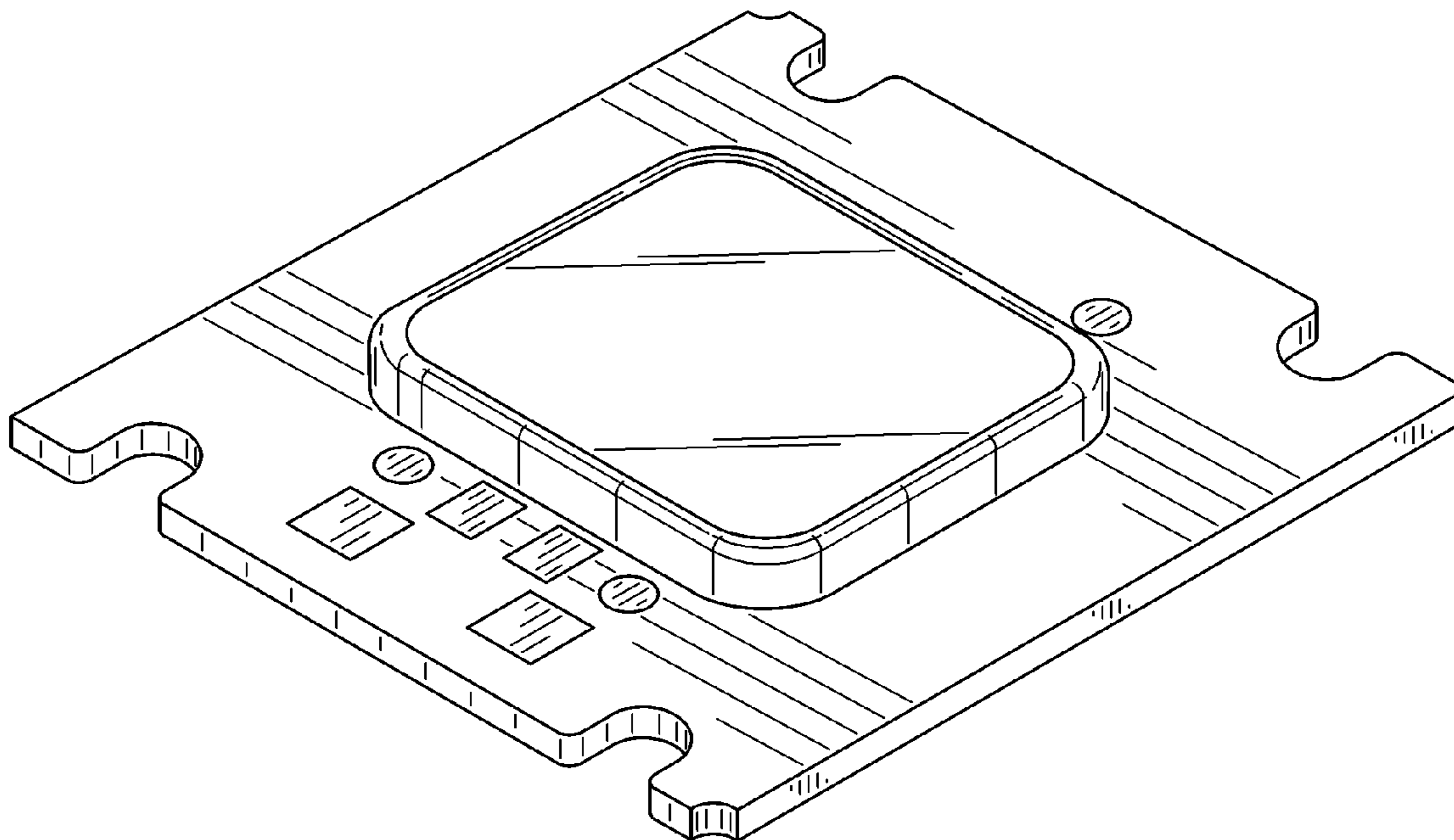
FIG. 4 is a left side view thereof;

FIG. 5 is a right side view thereof;

FIG. 6 is a top view thereof; and,

FIG. 7 is a bottom view thereof.

1 Claim, 5 Drawing Sheets



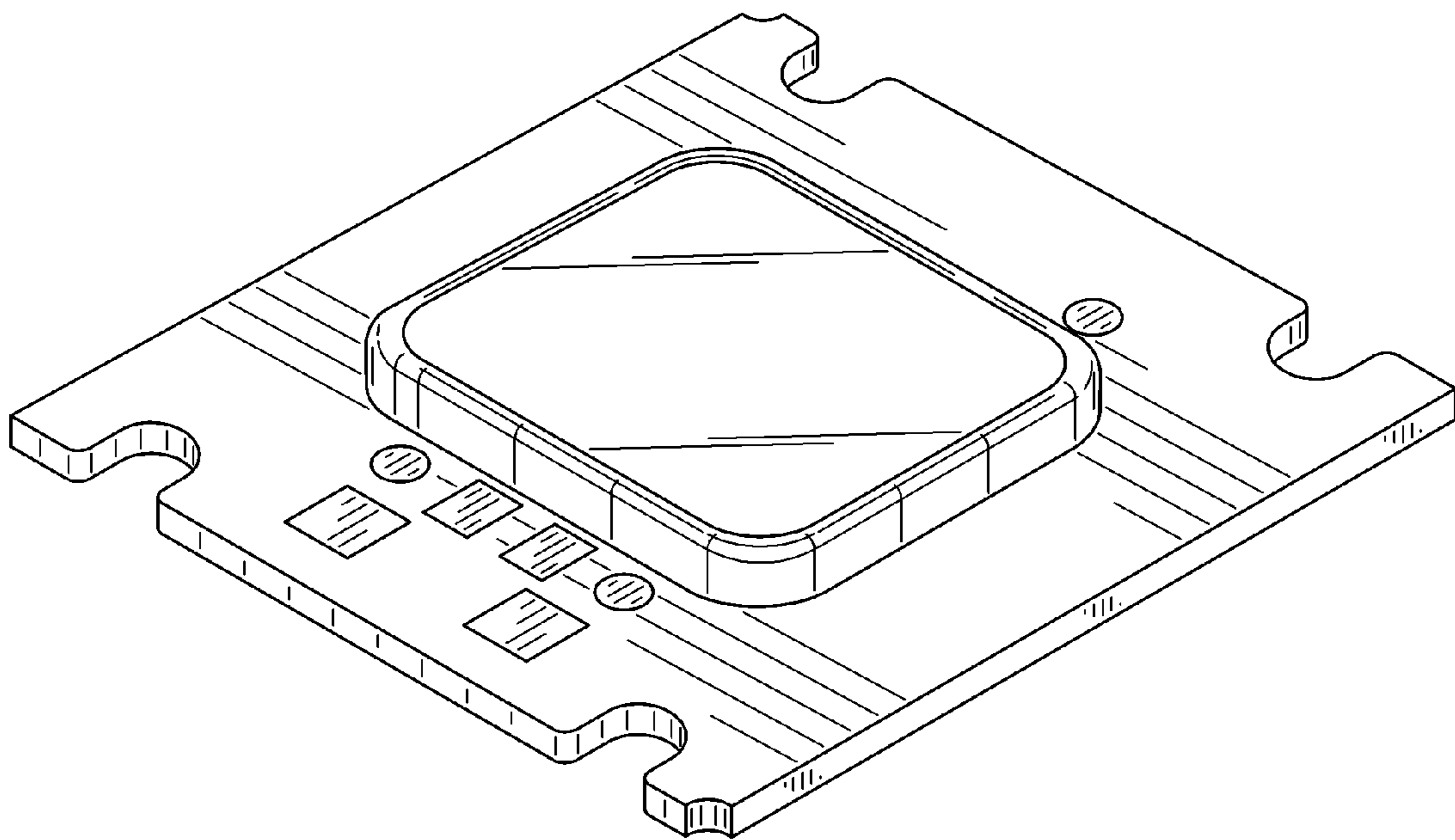


FIG. 1

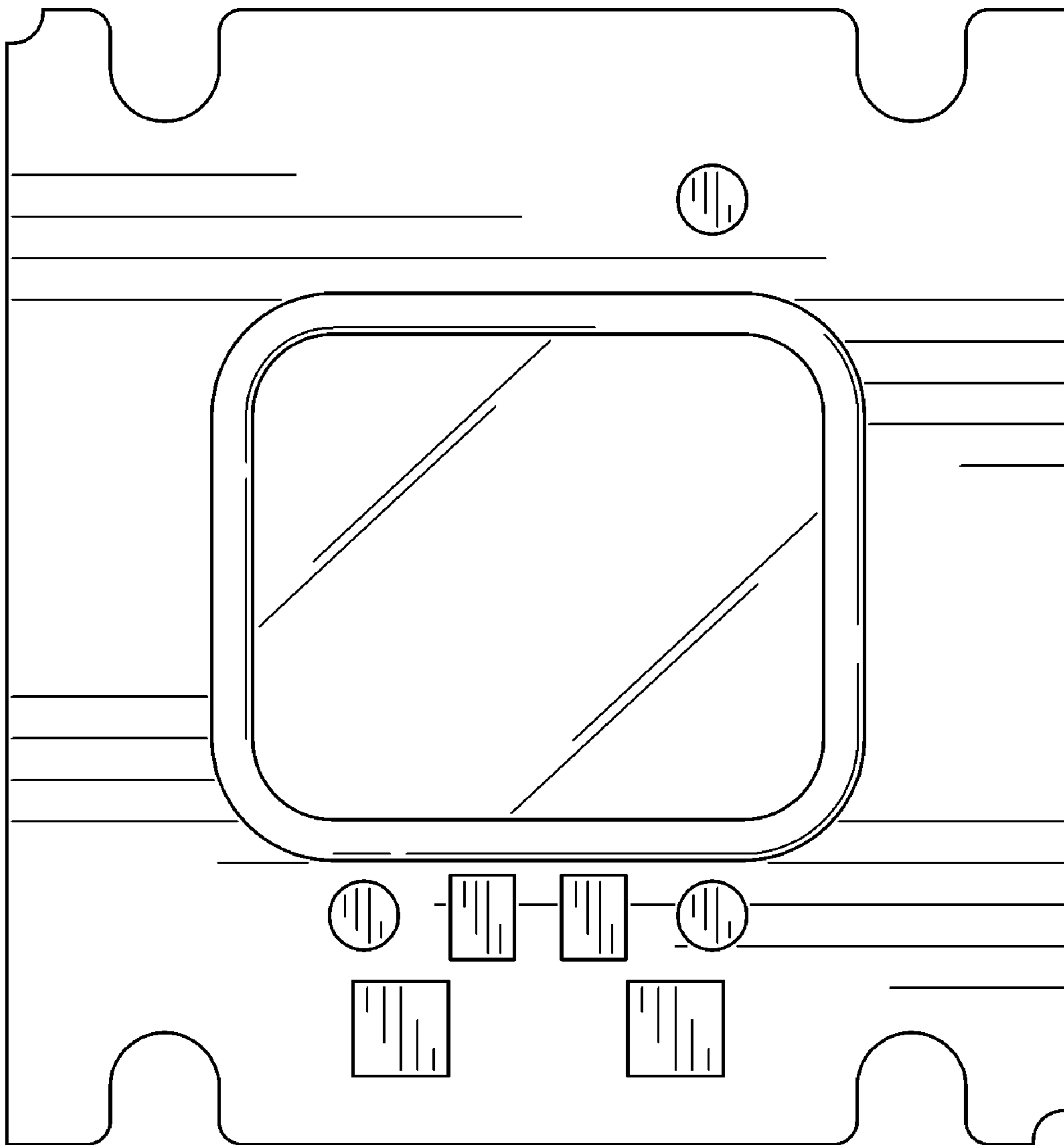


FIG. 2

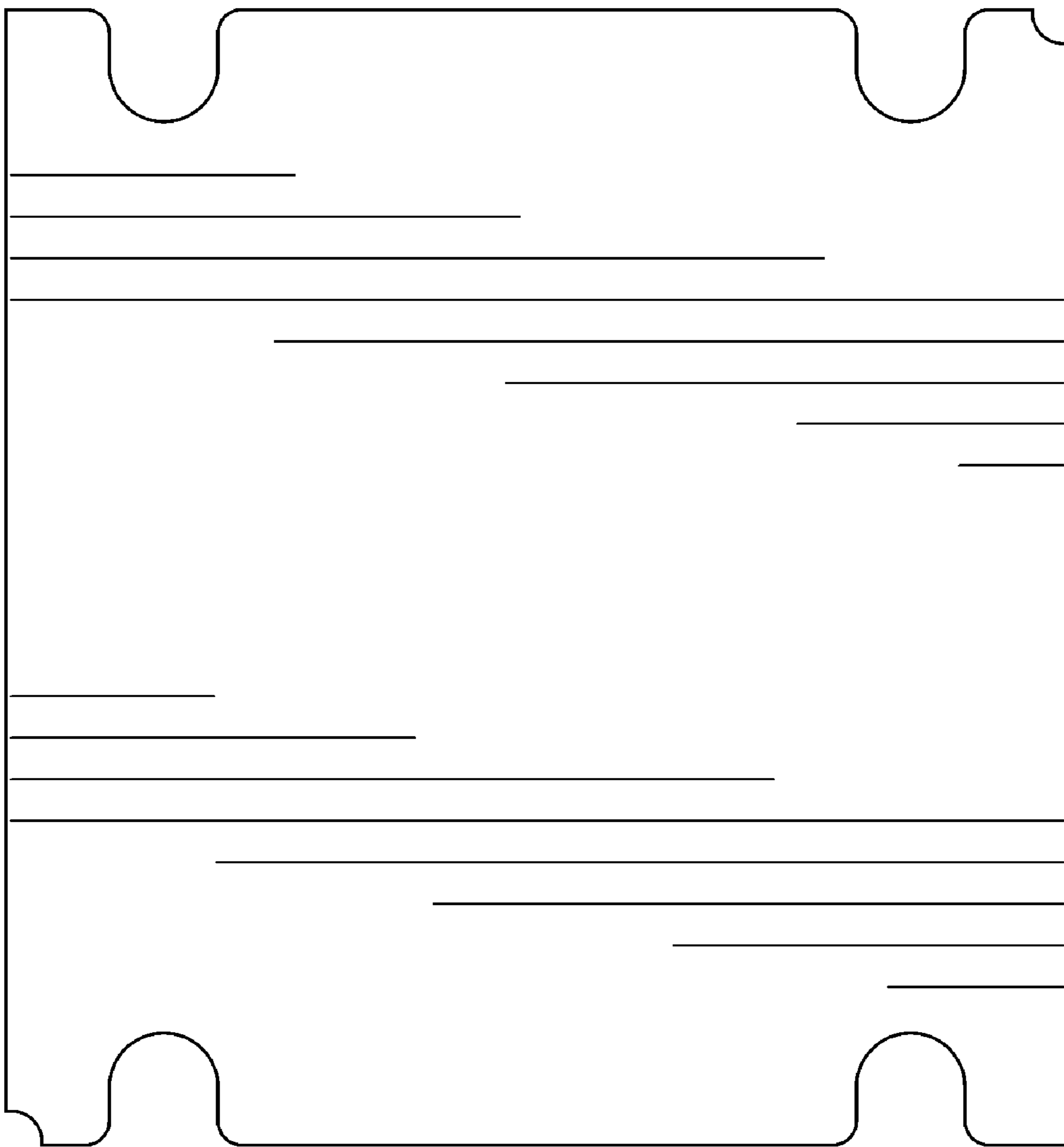


FIG. 3

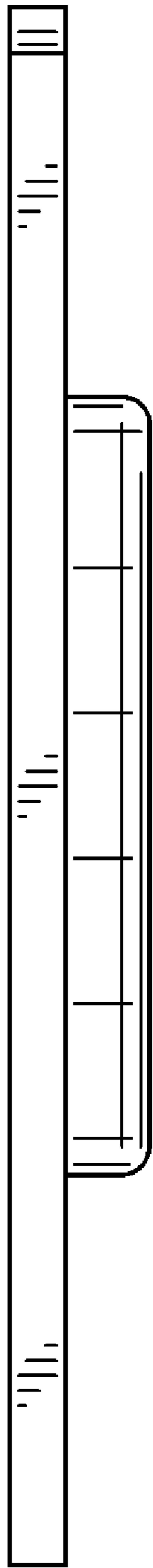


FIG. 4

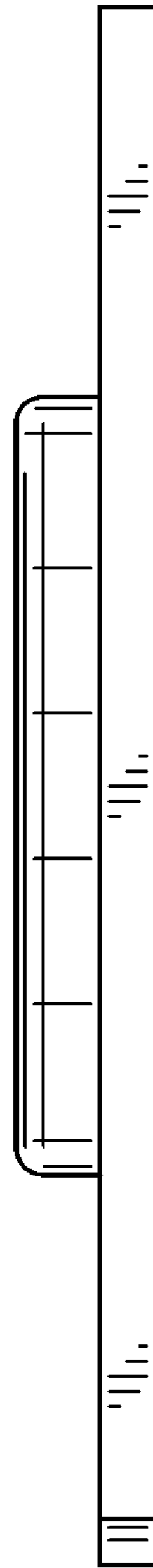


FIG. 5

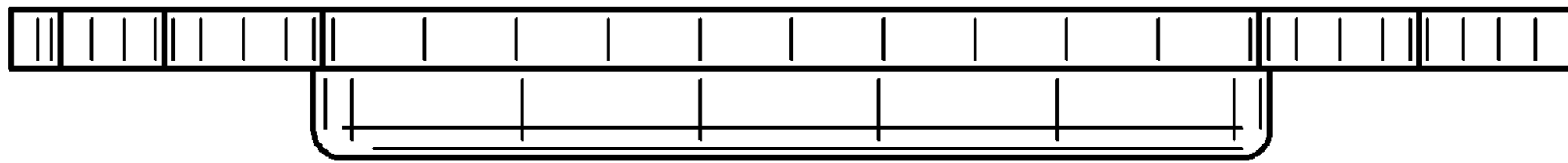


FIG. 6

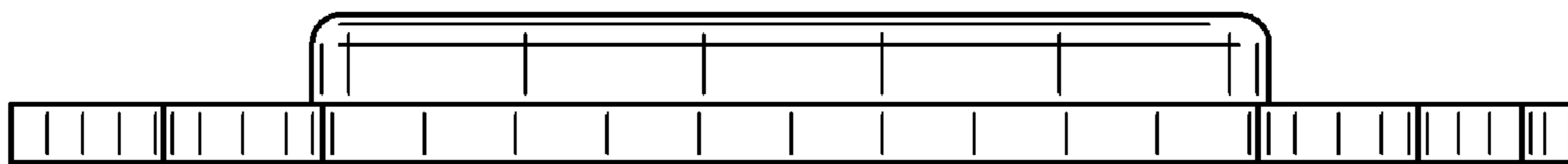


FIG. 7