



US00D625688S

(12) **United States Design Patent**
So

(10) **Patent No.:** **US D625,688 S**

(45) **Date of Patent:** **** Oct. 19, 2010**

(54) **PLUG**

(75) Inventor: **Shun Tong So**, Kwun Tong (HK)

(73) Assignee: **Morning Star Industrial Company Limited**, Kwun Tong (HK)

(**) Term: **14 Years**

(21) Appl. No.: **29/310,915**

(22) Filed: **Sep. 17, 2008**

(51) **LOC (9) Cl.** **13-03**

(52) **U.S. Cl.** **D13/133**

(58) **Field of Classification Search** D13/133,
D13/146, 147, 151, 154, 184, 199; 439/350,
439/358, 352, 353, 586, 595-598, 660, 668,
439/669, 682

See application file for complete search history.

(56) **References Cited**

U.S. PATENT DOCUMENTS

D326,642 S *	6/1992	Lowe	D13/138.1
D399,047 S *	10/1998	Yoshida et al.	D13/147
D413,301 S *	8/1999	Goto et al.	D13/133
D512,687 S *	12/2005	Baker et al.	D13/133
D519,924 S *	5/2006	Baker et al.	D13/133
D524,736 S *	7/2006	Morita et al.	D13/133
7,214,086 B1 *	5/2007	Hsieh	439/352

D555,594 S *	11/2007	So	D13/133
D561,101 S *	2/2008	Sakamoto	D13/133
D585,025 S *	1/2009	Kudo	D13/133
D596,125 S *	7/2009	Norin et al.	D13/133

* cited by examiner

Primary Examiner—Daniel D Bui

Assistant Examiner—Thomas J Johannes

(74) *Attorney, Agent, or Firm*—Reed Smith LLP; Carl H. Pierce

(57) **CLAIM**

The ornamental design for a plug, as shown and described.

DESCRIPTION

FIG. 1 is a front view of a plug, showing my new design;

FIG. 2 is a rear view thereof;

FIG. 3 is a left side view thereof;

FIG. 4 is a right side view thereof;

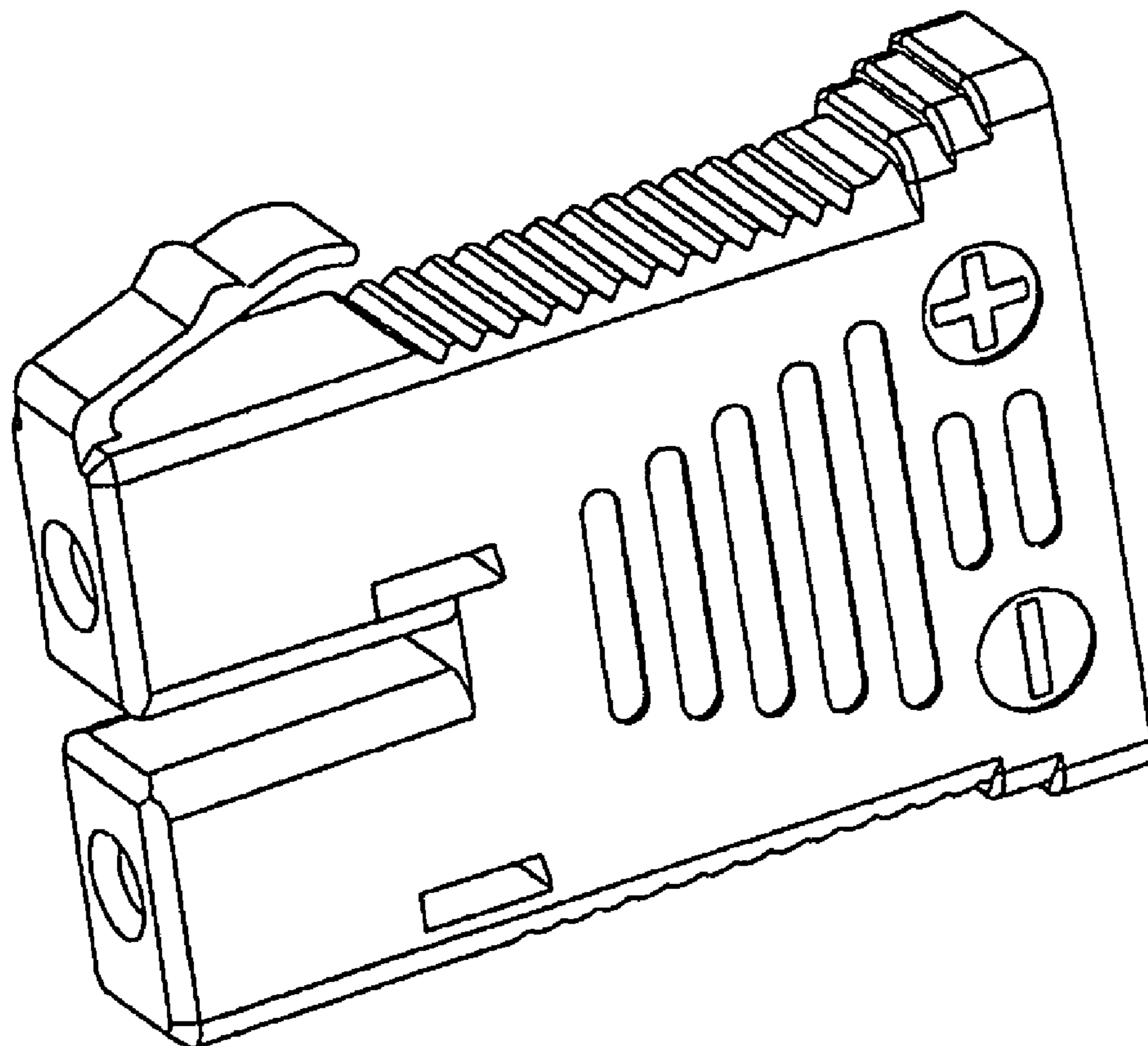
FIG. 5 is a top view thereof;

FIG. 6 is a bottom view thereof; and,

FIG. 7 is a perspective view thereof.

The broken line portion of the figure drawings is included to show unclaimed subject matter only and forms no part of the claimed design.

1 Claim, 7 Drawing Sheets



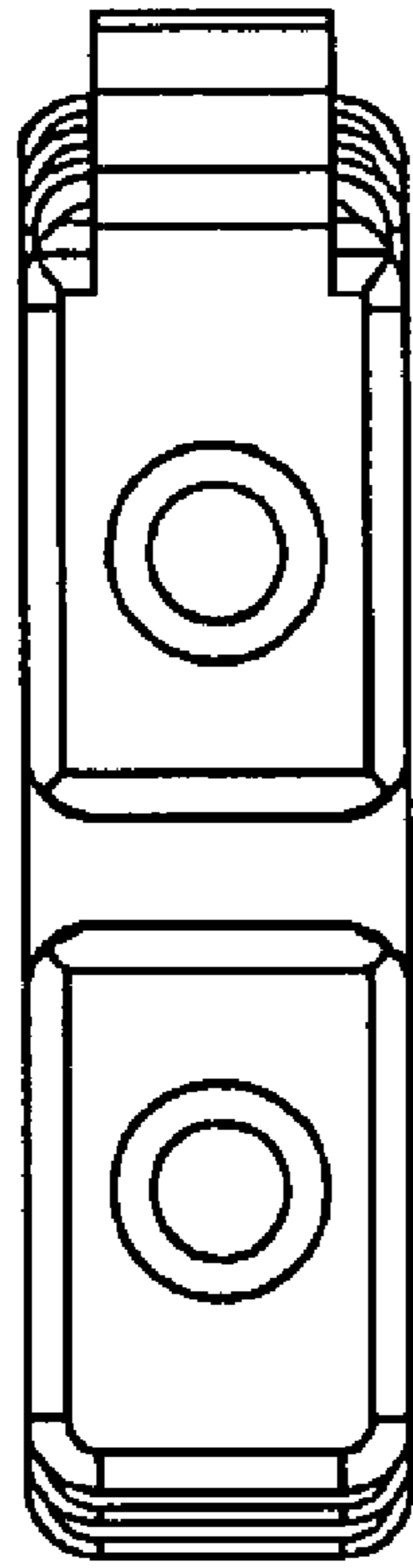


FIG. 1

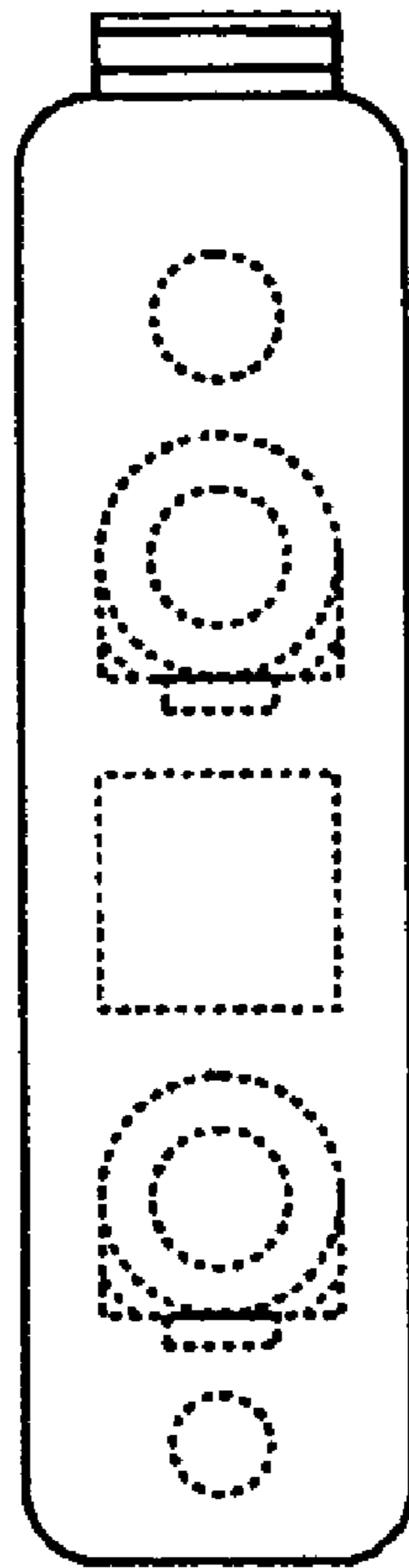


FIG. 2

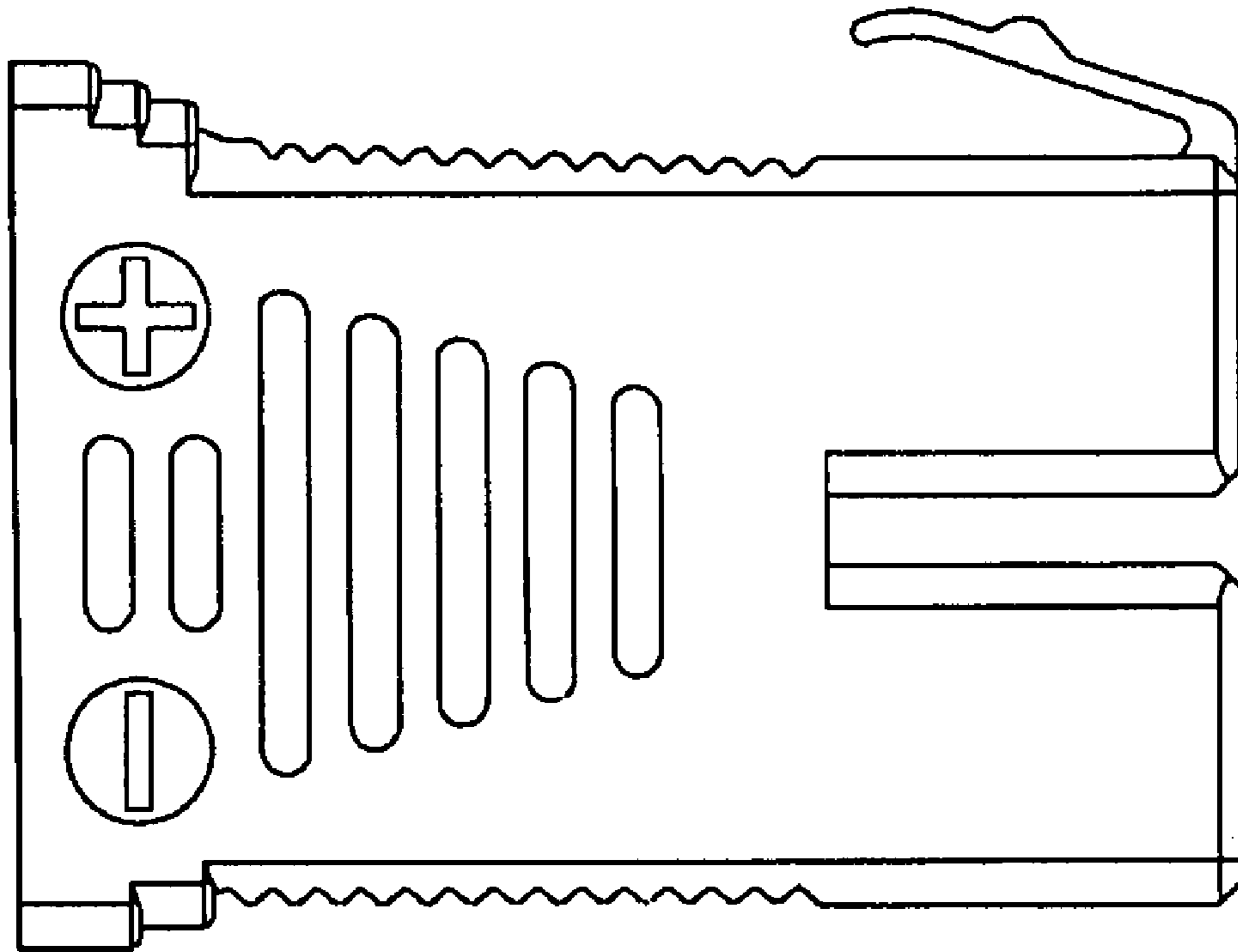


FIG. 3

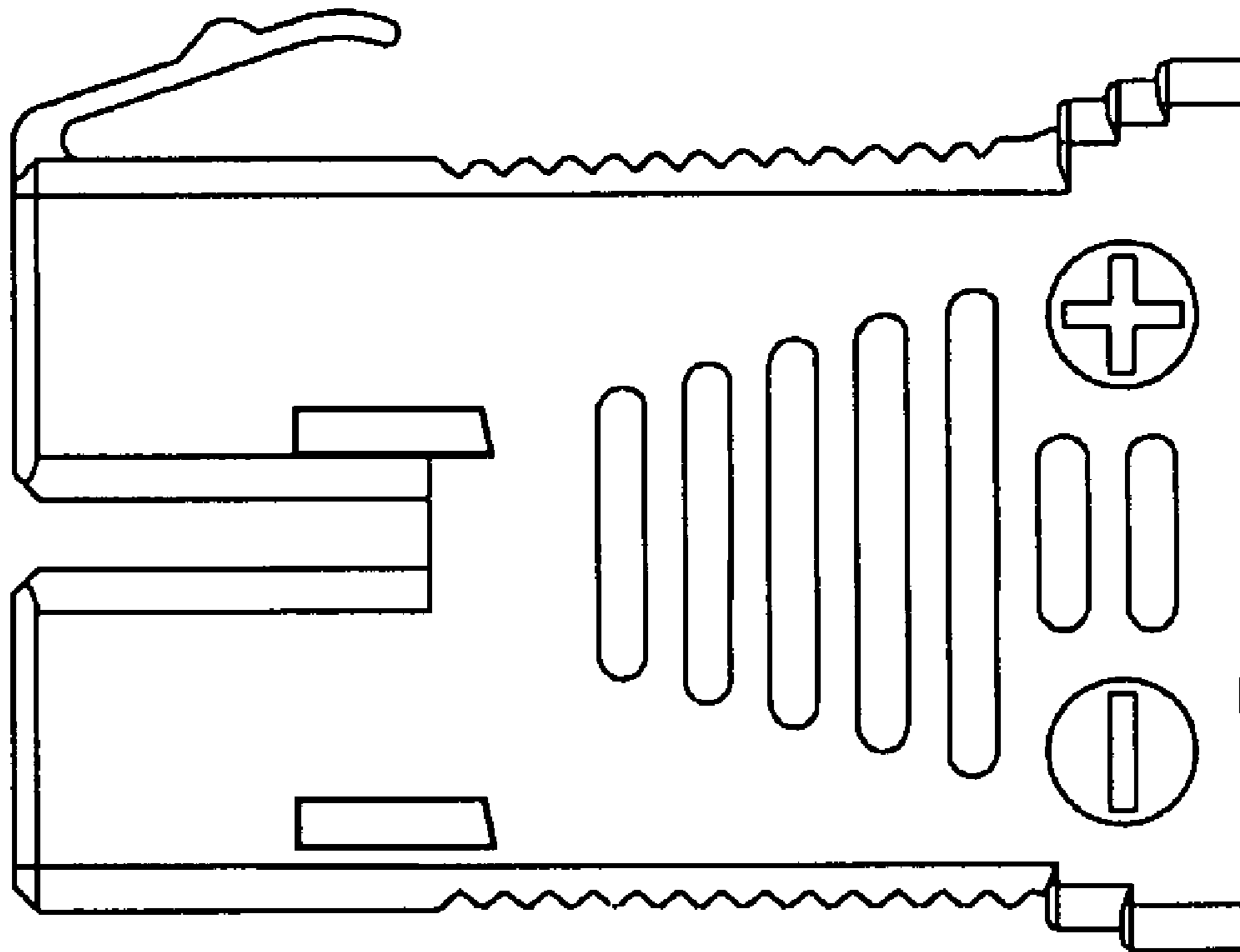


FIG. 4

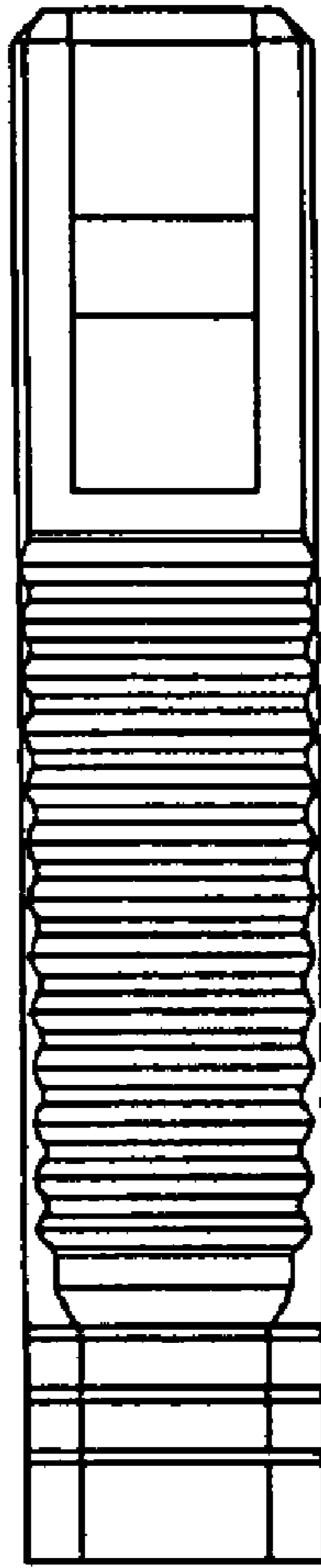


FIG. 5

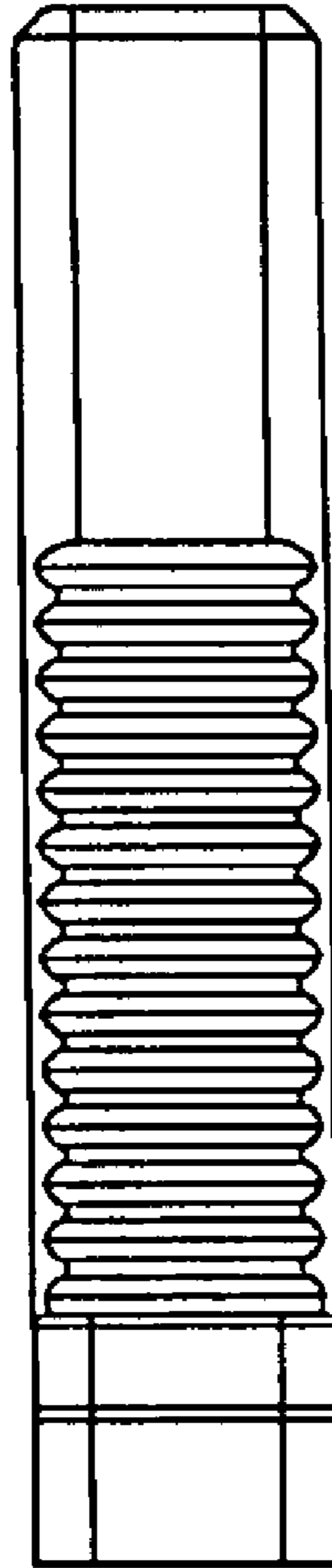


FIG. 6

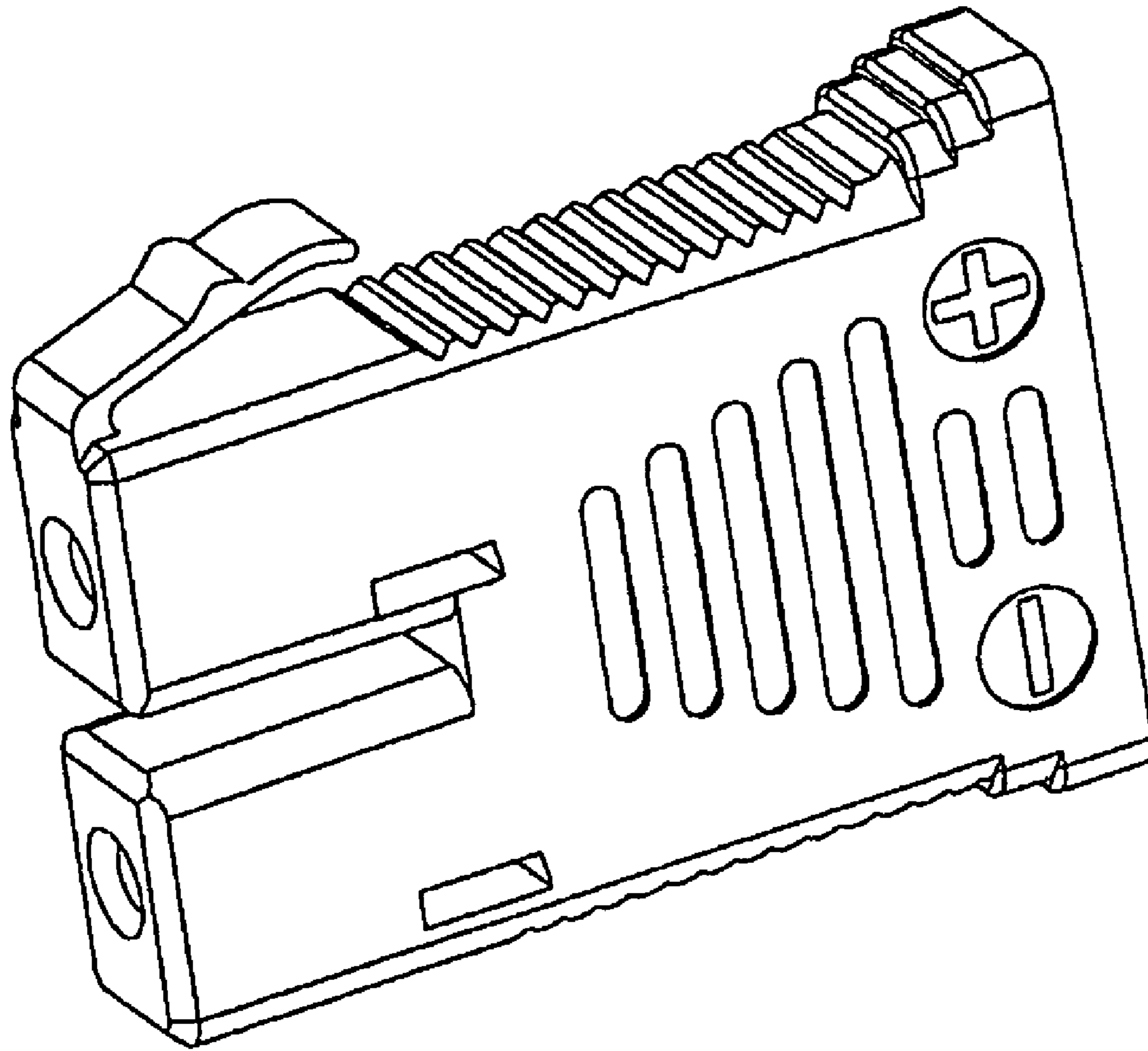


FIG. 7