

US00D625686S

(12) **United States Design Patent**
Dickson

(10) **Patent No.:** **US D625,686 S**

(45) **Date of Patent:** **** Oct. 19, 2010**

- (54) **PORTABLE JUMPSTART DEVICE**
- (75) Inventor: **Patrick Dickson**, Florence, OR (US)
- (73) Assignee: **Automotive Energy Systems, LLC**,
Florence, OR (US)
- (**) Term: **14 Years**
- (21) Appl. No.: **29/342,165**
- (22) Filed: **Aug. 19, 2009**

- D499,070 S * 11/2004 Lavington D13/119
- D517,987 S * 3/2006 Castagnola et al. D13/119
- D553,565 S * 10/2007 Kawakita et al. D13/119
- D592,134 S * 5/2009 Brockington D13/119
- D604,696 S * 11/2009 Tasai D13/104

OTHER PUBLICATIONS

“Porta-Jump: Car Battery-in-your-Pocket”, bookofjoe.com blog, dated Mar. 19, 2008, web address: “http://www.bookofjoe.com/2008/03/porta-jump-car.html”.*

* cited by examiner

Primary Examiner—Rosemary K Tarcza

(74) *Attorney, Agent, or Firm*—Cotman IP Law Group, PLC

Related U.S. Application Data

- (63) Continuation-in-part of application No. 12/497,452, filed on Jul. 2, 2009, which is a continuation-in-part of application No. 11/561,866, filed on Nov. 20, 2006.

- (51) **LOC (9) Cl.** **13-02**
- (52) **U.S. Cl.** **D13/107; D13/103**
- (58) **Field of Classification Search** D13/102–110,
D13/118–119, 184, 199; 429/96–100, 163,
429/176; 320/107–115

See application file for complete search history.

(56) **References Cited**

U.S. PATENT DOCUMENTS

- 3,871,924 A * 3/1975 DeMattie et al. 429/176
- 4,107,402 A * 8/1978 Dougherty et al. 429/120
- D252,354 S * 7/1979 Uyeda D3/302
- D303,652 S * 9/1989 Lopez-Doriga
Lopez-Doriga D13/106
- D320,379 S * 10/1991 Culbertson D13/103
- D419,137 S * 1/2000 Gaffney et al. D13/103
- D491,138 S * 6/2004 Minato D13/104

(57) **CLAIM**

The ornamental design for a portable jumpstart device, as shown and described herein.

DESCRIPTION

FIG. 1 is an isometric view of a portable jumpstart device in accordance with an embodiment of the invention.

FIG. 2 is a top view of a portable jumpstart device in accordance with an embodiment of the invention.

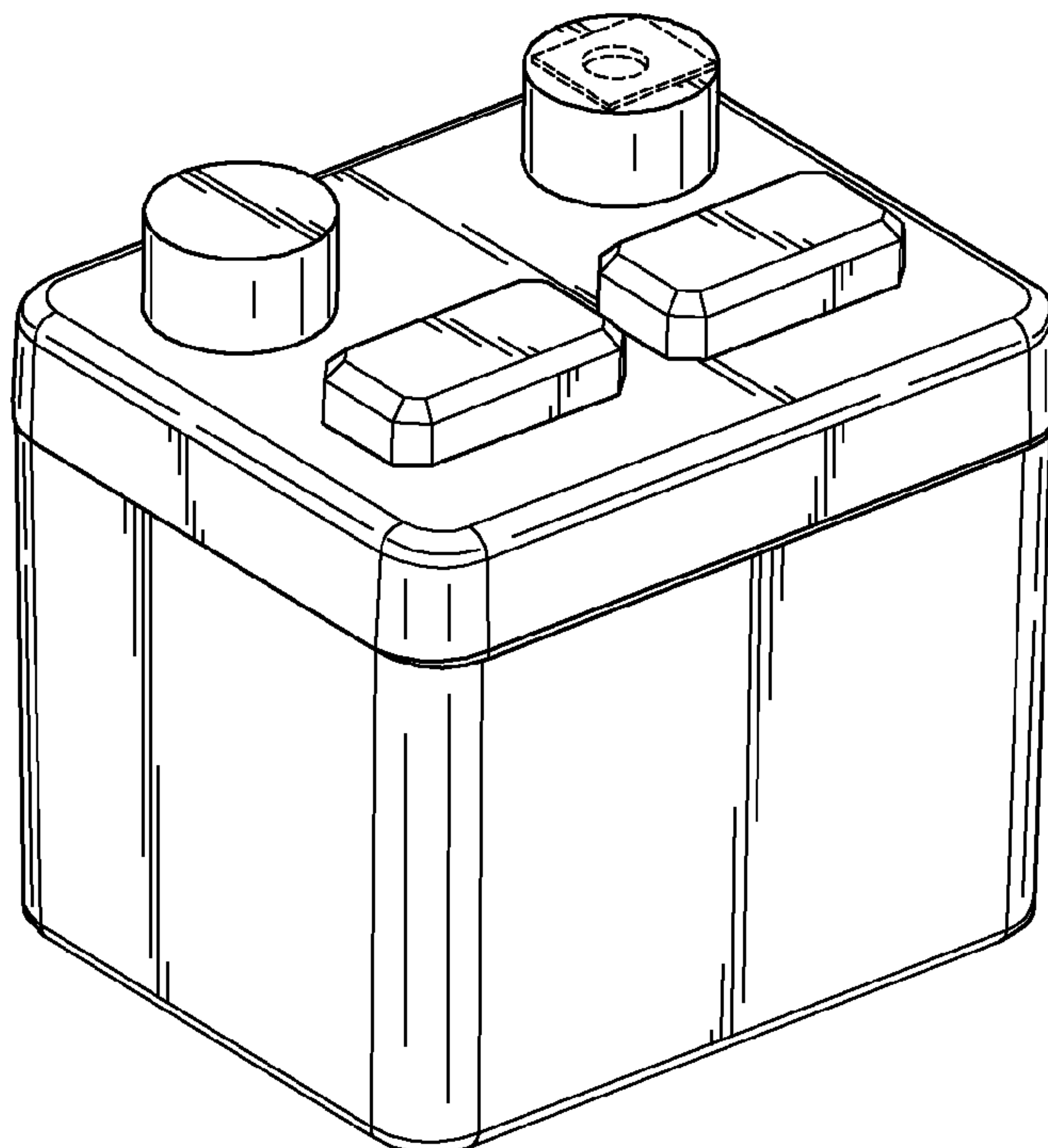
FIG. 3 is a frontal view of a portable jumpstart device in accordance with an embodiment of the invention.

FIG. 4 is a side view of a portable jumpstart device in accordance with an embodiment of the invention.

FIG. 5 is a rear view of a portable jumpstart device in accordance with an embodiment of the invention; and,

FIG. 6 is a bottom view of a portable jumpstart device in accordance with an embodiment of the invention.

1 Claim, 3 Drawing Sheets



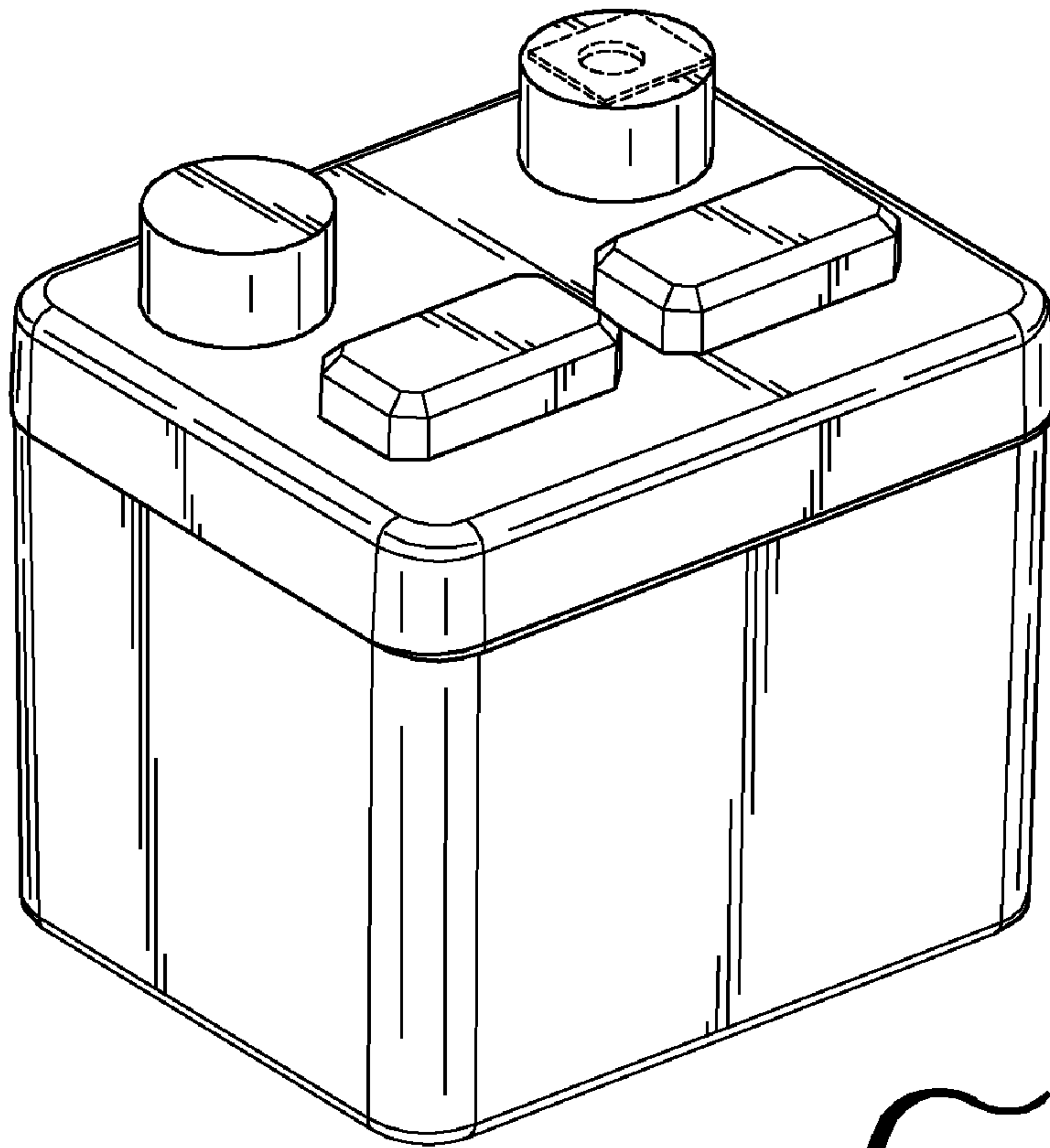


FIG. 1

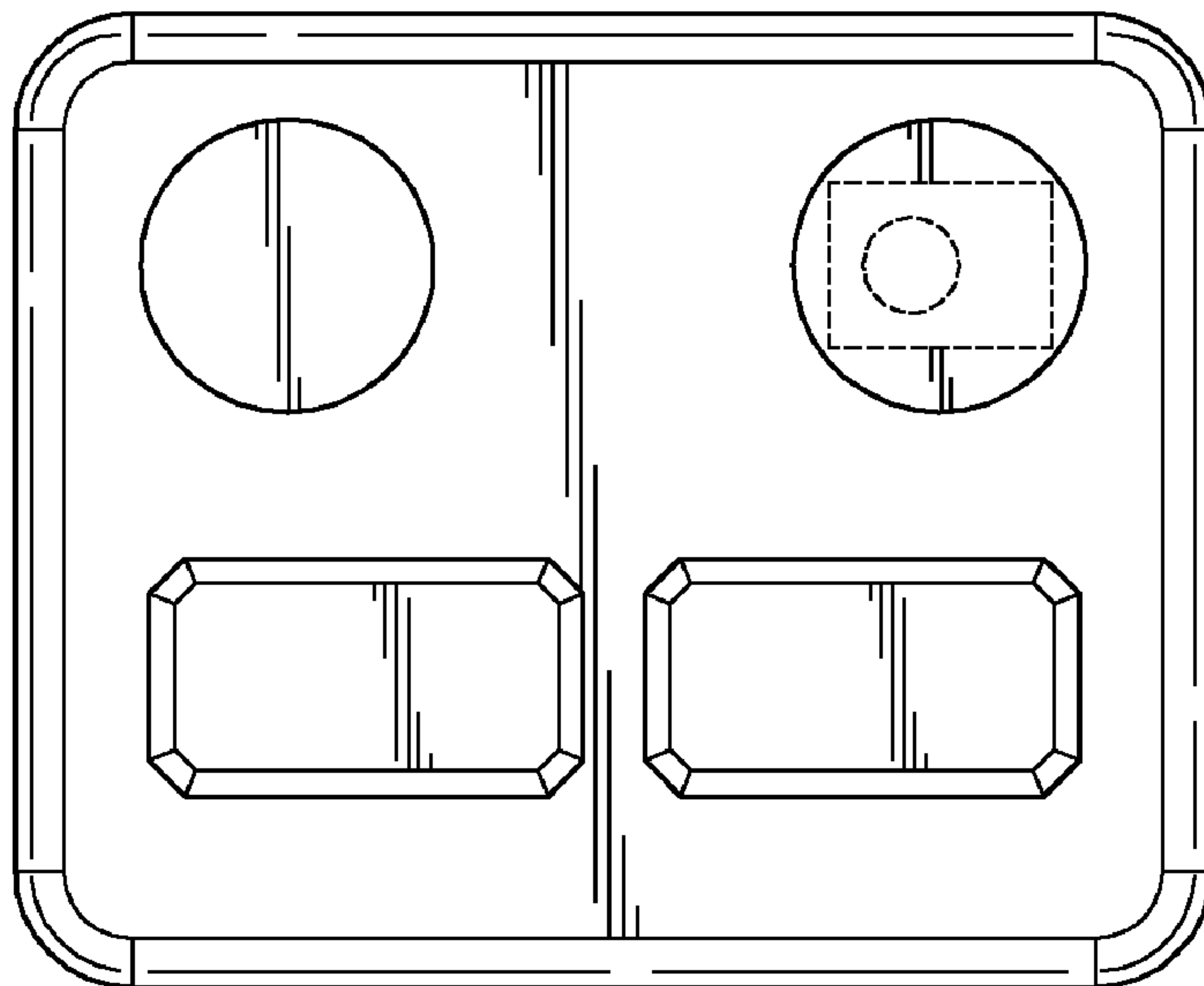


FIG. 2

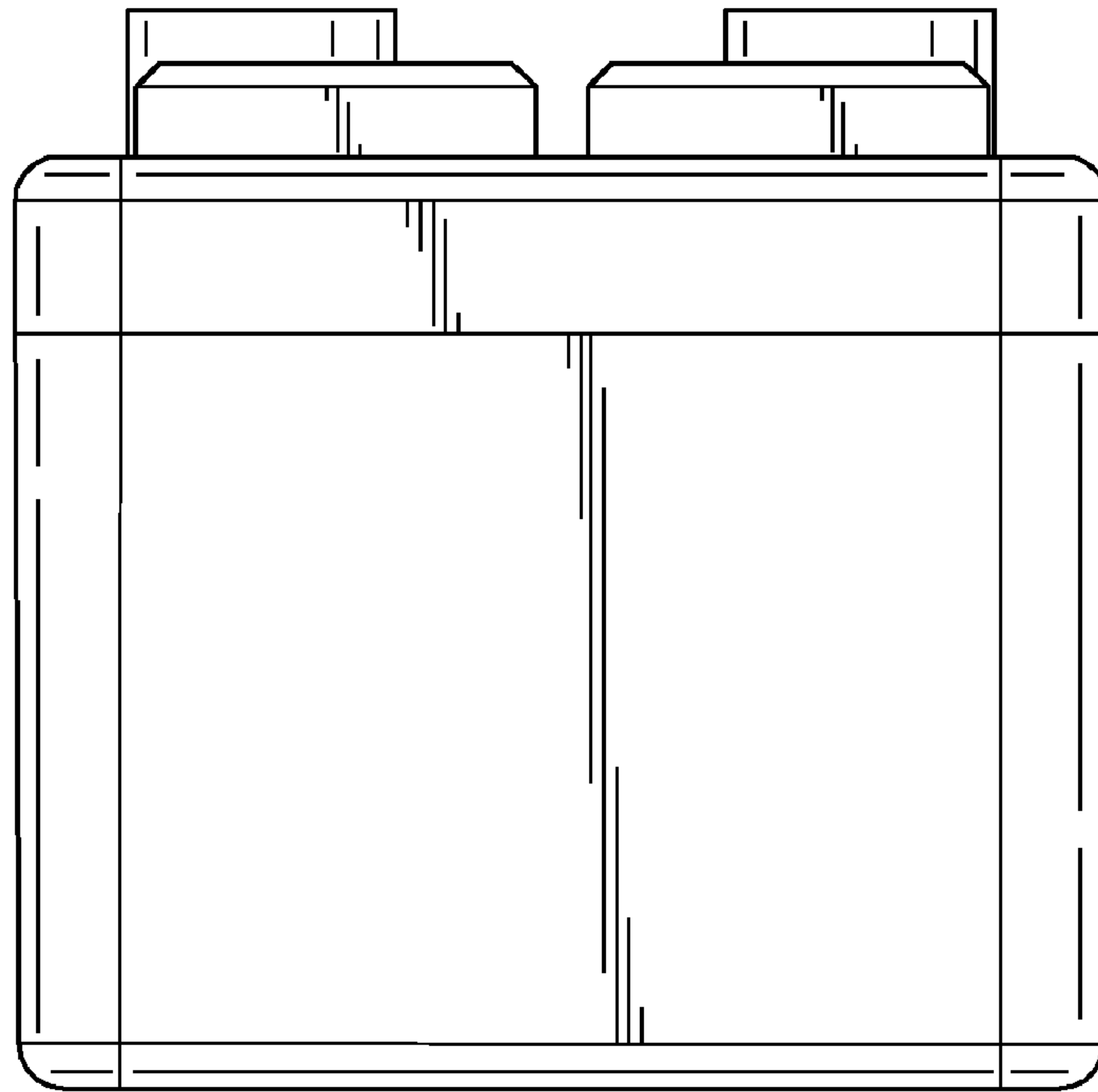


FIG. 3

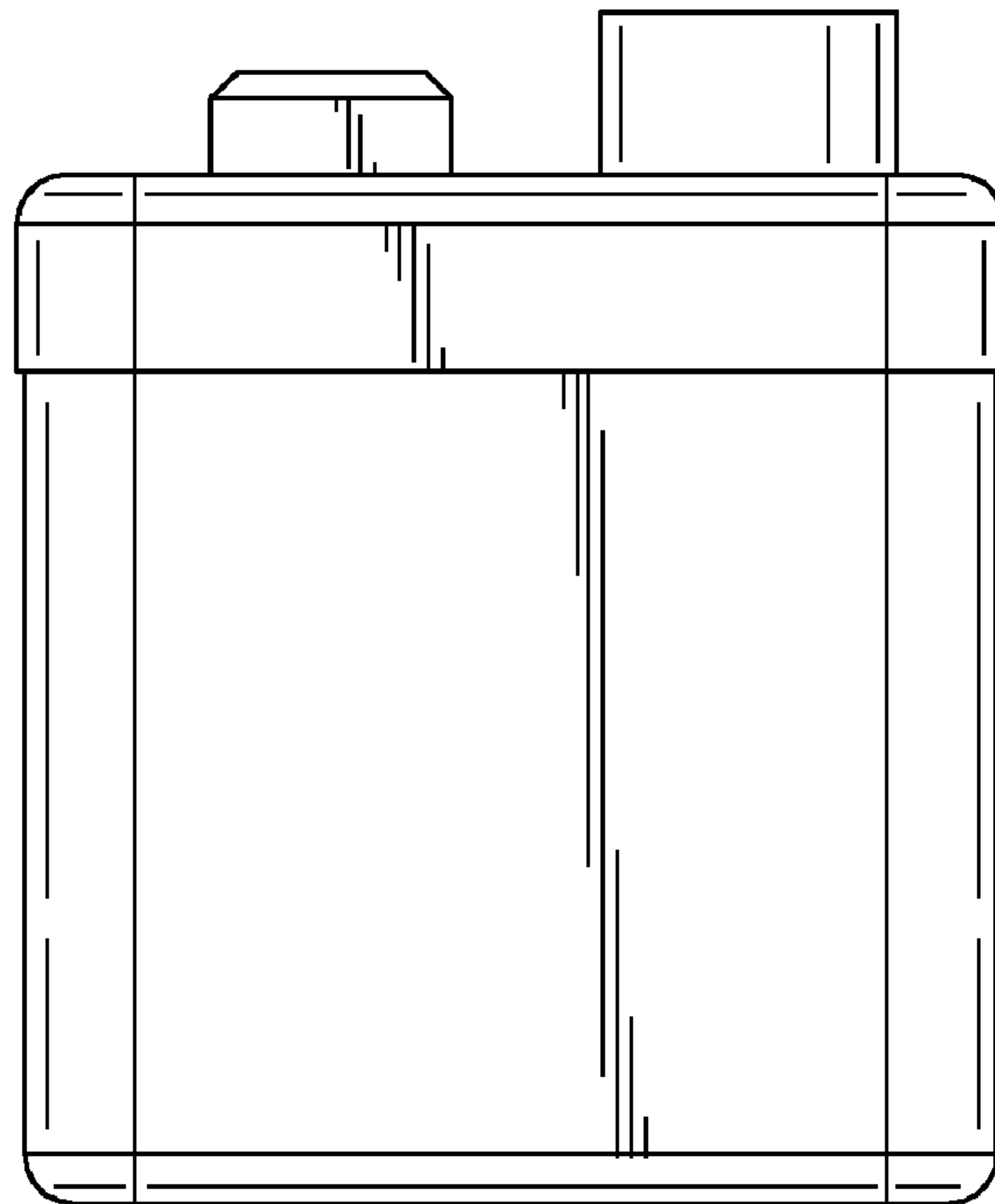


FIG. 4

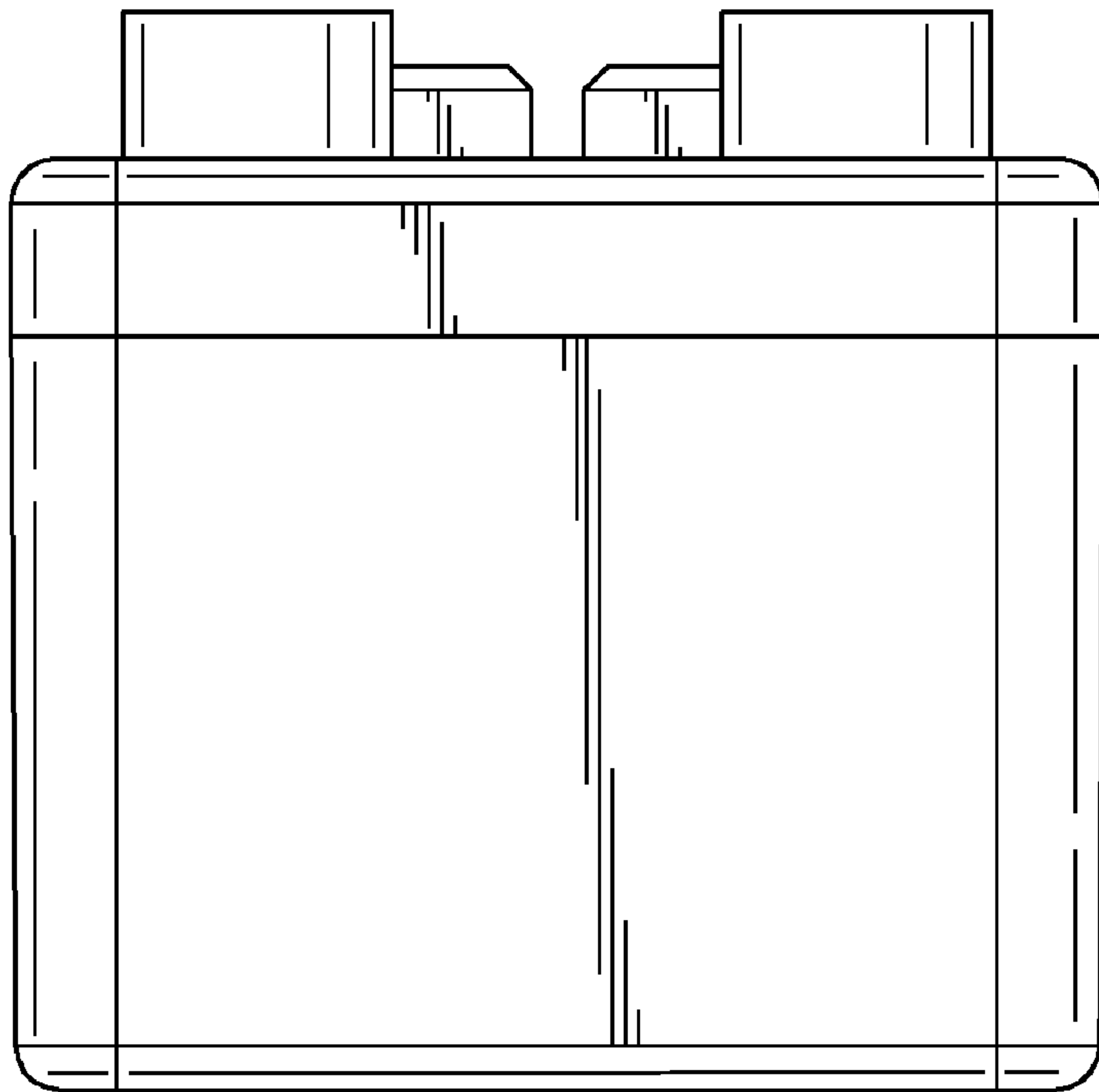


FIG. 5

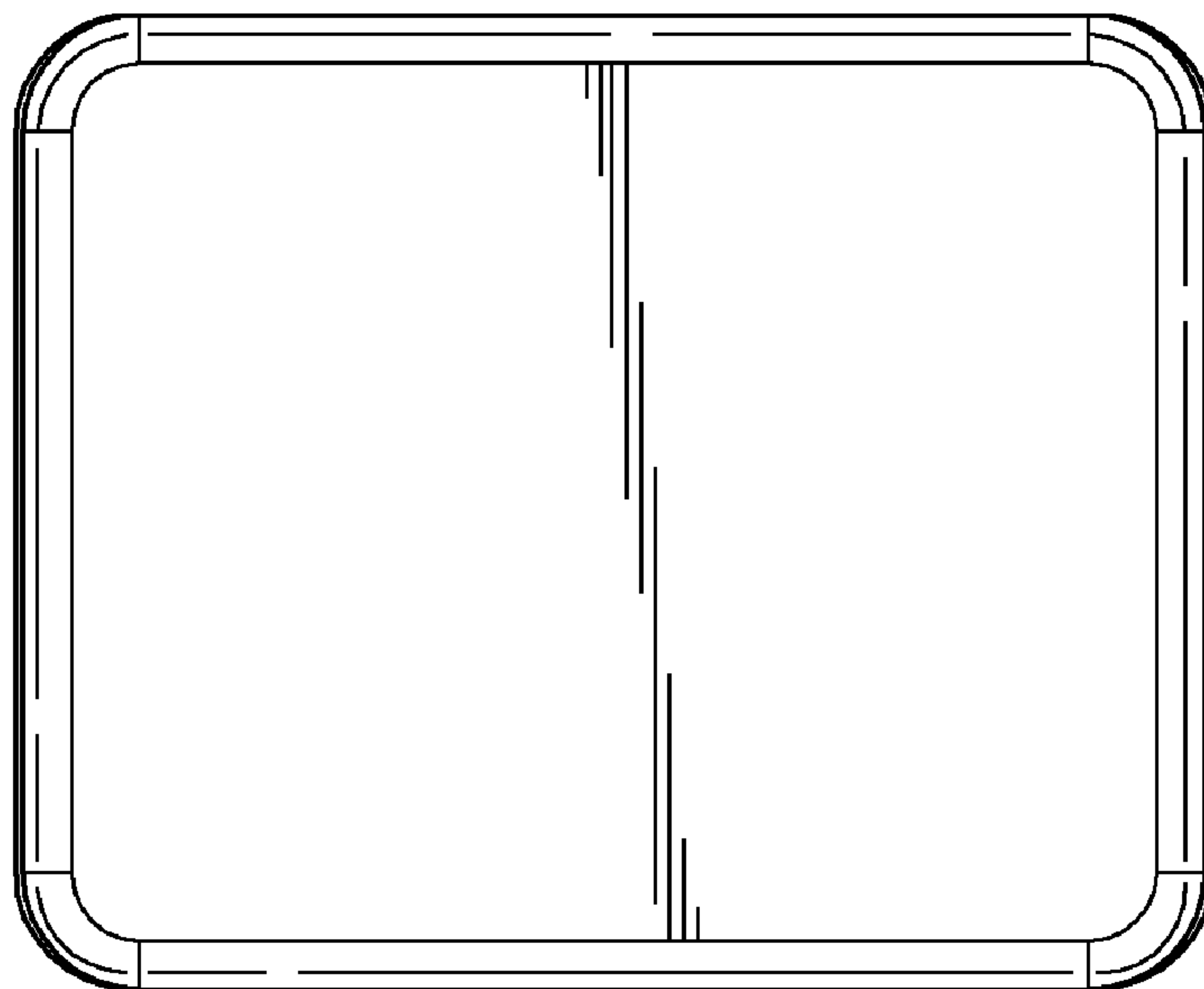


FIG. 6