



US00D625677S

(12) **United States Design Patent**  
**Robbins, Sr. et al.**

(10) **Patent No.:** **US D625,677 S**

(45) **Date of Patent:** **\*\* Oct. 19, 2010**

(54) **WHEEL STOP**

(76) Inventors: **William J. Robbins, Sr.**, 12 Barrington Hills, Pittsford, NY (US) 14534;  
**Deborah A. Robbins**, 99 Lord Byron La., Williamsville, NY (US) 14221

(\*\*) Term: **14 Years**

(21) Appl. No.: **29/293,628**

(22) Filed: **Dec. 5, 2007**

(51) **LOC (9) Cl.** ..... **12-06**

(52) **U.S. Cl.** ..... **D12/217**

(58) **Field of Classification Search** ..... D12/217,  
D12/120, 114; 188/32, 4 R; 224/524; 267/140,  
267/139; 280/293; 410/49, 30; 404/7  
See application file for complete search history.

(56) **References Cited**

U.S. PATENT DOCUMENTS

2,011,469	A *	8/1935	Brueggemann	.....	188/32
2,794,375	A	6/1957	DiFalco et al.		
2,935,162	A	5/1960	Lindsay		
3,633,710	A *	1/1972	Preinfalk	.....	188/62
3,636,829	A	1/1972	Palmer		
D229,330	S *	11/1973	Milles	.....	D12/217
4,594,021	A	6/1986	Schafer et al.		
4,762,438	A	8/1988	Dewing		
4,844,652	A	7/1989	Schroughan		
5,345,731	A	9/1994	Sykes		
5,687,516	A *	11/1997	Sheehan et al.	.....	52/174
D410,887	S *	6/1999	Henry	.....	D12/217

D420,640	S *	2/2000	Henry	.....	D12/217
6,481,921	B1	11/2002	Fenimore et al.		
6,692,182	B1	2/2004	Fenimore et al.		
D546,969	S	7/2007	Christensen		
D555,804	S	11/2007	Christensen		
2008/0277211	A1 *	11/2008	Wolfram	.....	188/32

\* cited by examiner

*Primary Examiner*—Caron Veynar

*Assistant Examiner*—Katrina A Kile

(74) *Attorney, Agent, or Firm*—Simpson & Simpson, PLLC

(57) **CLAIM**

The ornamental design for a wheel stop, as shown and described.

**DESCRIPTION**

FIG. 1 is a perspective view of a wheel stop of the present invention;

FIG. 2 is a front plan view of the wheel stop;

FIG. 3 is a back plan view of the wheel stop;

FIG. 4 is a right side plan view of the wheel stop;

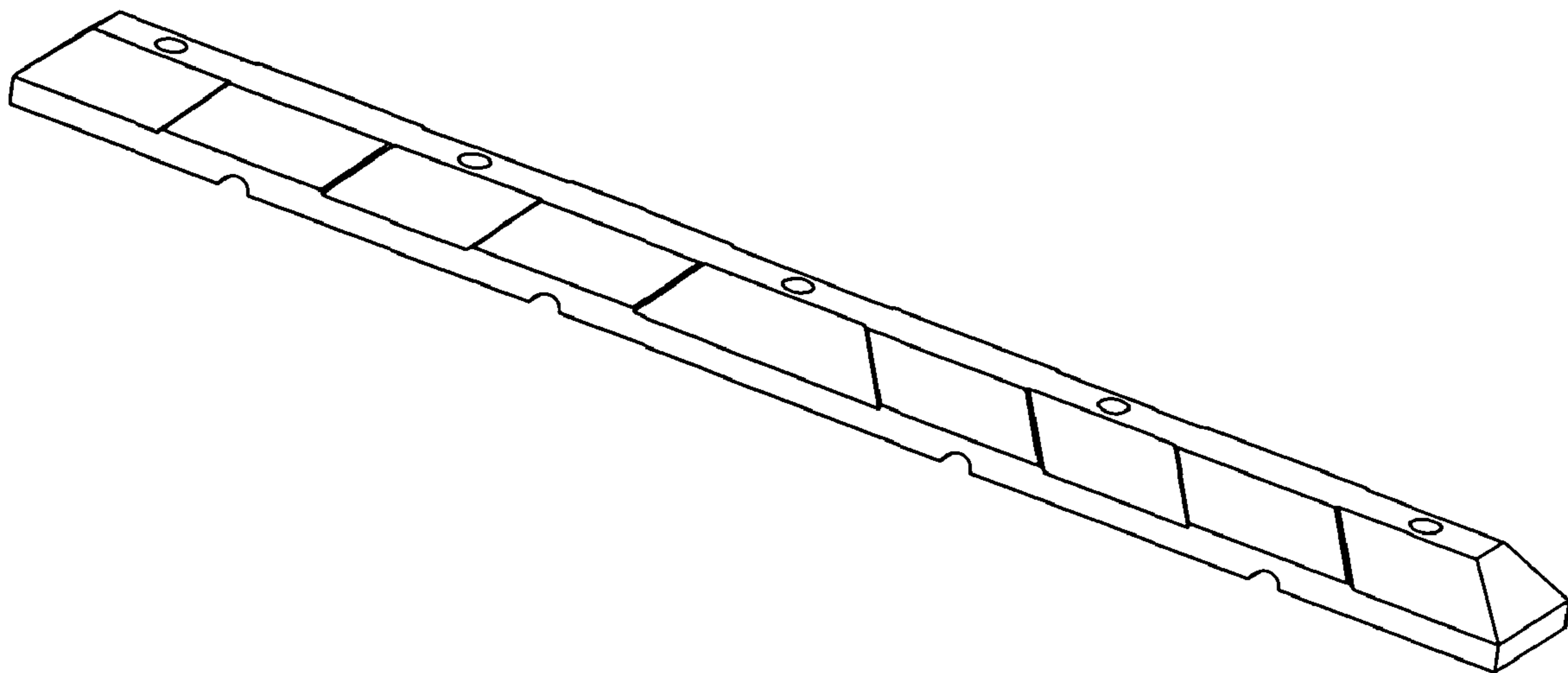
FIG. 5 is a left side plan view of the wheel stop;

FIG. 6 is a top plan view of the wheel stop; and,

FIG. 7 is a bottom plan view of the wheel stop.

The broken line showing of various components of the present invention wheel stop in FIGS. 6 and 7 are for illustrative purposes only and form no part of the claimed invention.

**1 Claim, 2 Drawing Sheets**



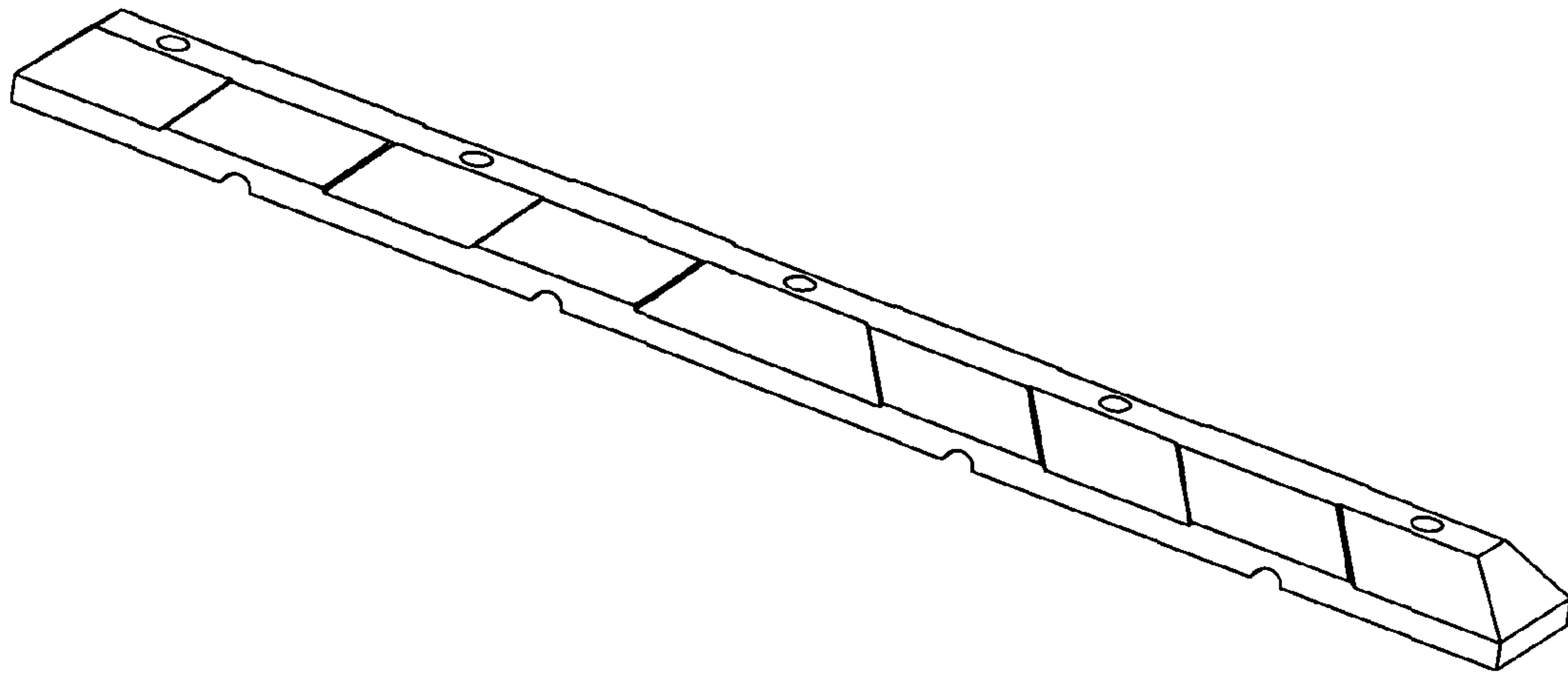


Fig. 1

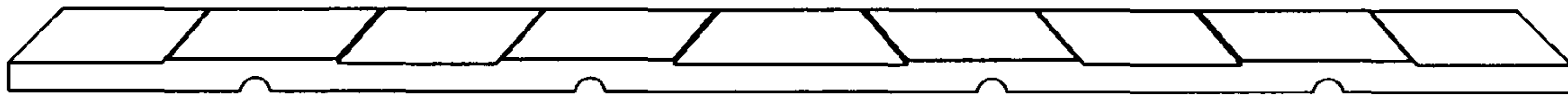


Fig. 2

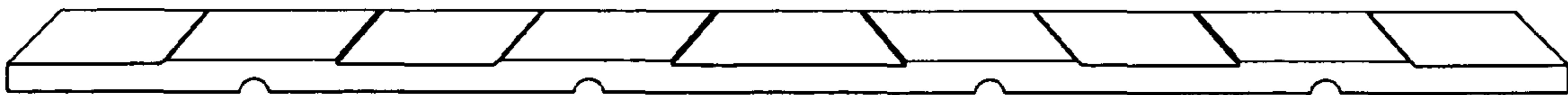


Fig. 3



Fig. 4



Fig. 5

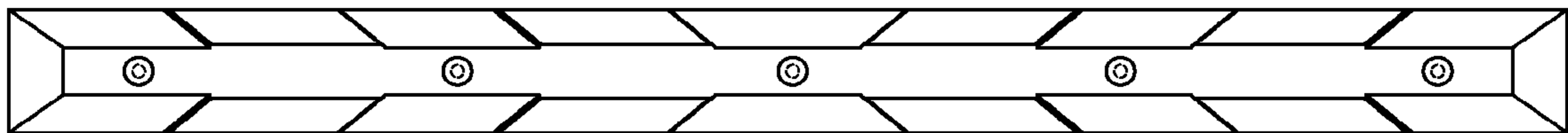


Fig. 6

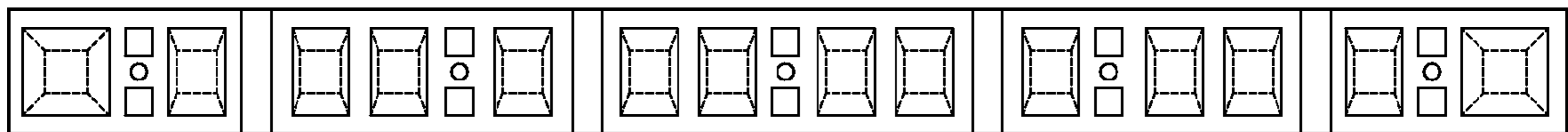


Fig. 7