



US00D625676S

(12) **United States Design Patent**
Baum

(10) **Patent No.:** **US D625,676 S**
(45) **Date of Patent:** **** Oct. 19, 2010**

(54) **WHEEL OR WHEEL COVER**

(75) Inventor: **Stephan Baum**, Olching (DE)

(73) Assignee: **Bayerische Motoren Werke Aktiengesellschaft**, Munich (DE)

(**) Term: **14 Years**

(21) Appl. No.: **29/347,398**

(22) Filed: **Dec. 22, 2009**

(30) **Foreign Application Priority Data**

Jul. 1, 2009 (DE) 402009003243

(51) **LOC (9) Cl.** **12-16**

(52) **U.S. Cl.** **D12/209**

(58) **Field of Classification Search** D12/204-213;
301/37.101, 64.101, 65, 64.201
See application file for complete search history.

(56) **References Cited**

U.S. PATENT DOCUMENTS

D416,849 S	*	11/1999	Weidhase	D12/211
D432,974 S	*	10/2000	Jablonski	D12/211
D499,685 S	*	12/2004	Schaefers	D12/211
D502,677 S		3/2005	Baum		
D522,434 S		6/2006	Langer		
D523,799 S	*	6/2006	Ianniello	D12/209
D532,739 S	*	11/2006	Ettensberger	D12/211
D535,604 S		1/2007	Markefka		
D553,069 S	*	10/2007	Ettensberger	D12/211
D590,313 S		4/2009	Baum		
D590,318 S	*	4/2009	Theiss	D12/211
D590,757 S		4/2009	Froehlich		

D597,015 S		7/2009	Juergens et al.		
D597,464 S		8/2009	Truebsbach		
D598,834 S		8/2009	Juergens et al.		
D608,710 S		1/2010	Nissl		
D616,800 S	*	6/2010	Zhao	D12/209

FOREIGN PATENT DOCUMENTS

EM	000141791-0004	6/2004
EM	000380852-0004	10/2005
EM	000440813-0004	1/2006
EM	000735758-0004	7/2007
EM	000743372-0003	3/2008
EM	000743372-0004	3/2008
EM	000863055-0002	3/2008
EM	001023915-0001	10/2008
EM	001049324-0001	9/2009
EM	001110902-0001	12/2009

* cited by examiner

Primary Examiner—Stacia Cadmus

(74) *Attorney, Agent, or Firm*—Crowell & Moring LLP

(57) **CLAIM**

The ornamental design for a wheel or wheel cover, as shown and described.

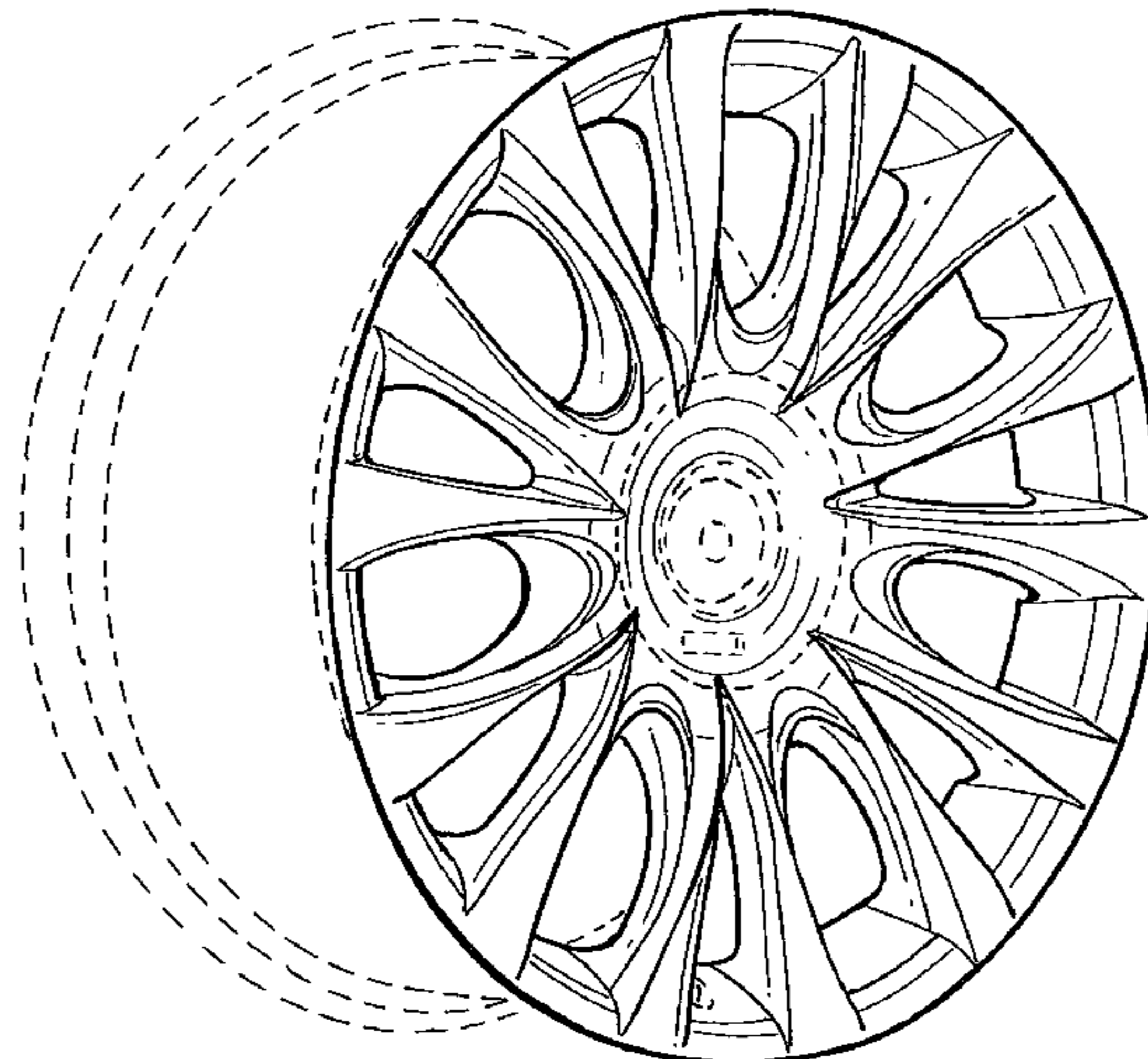
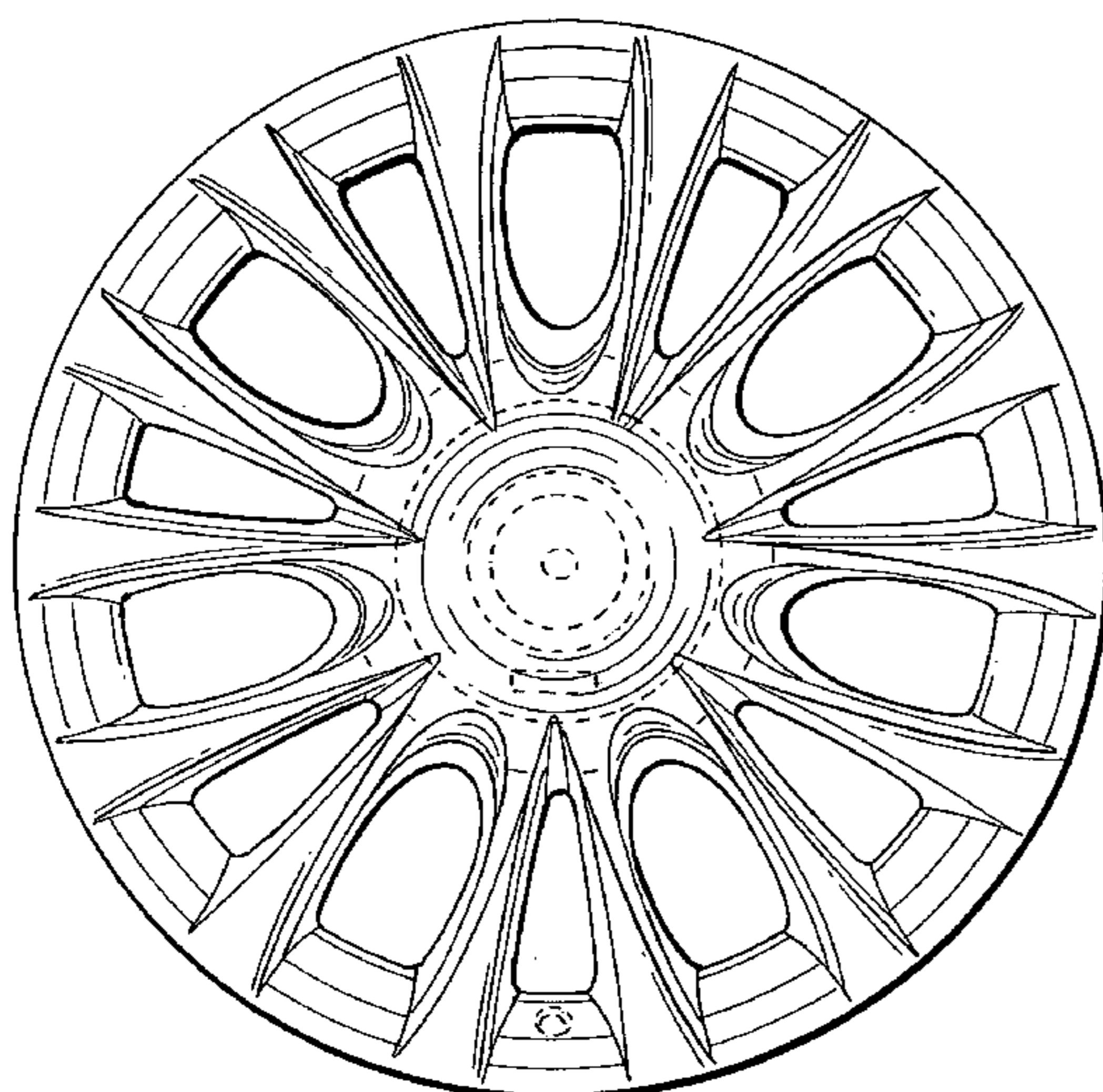
DESCRIPTION

FIG. 1 is a front view of a wheel or wheel cover according to my design; and,

FIG. 2 is a perspective view thereof.

The broken line showing of the rear of the rim and the central hub area is included for the purpose of illustrating environment and forms no part of the claimed design.

1 Claim, 1 Drawing Sheet



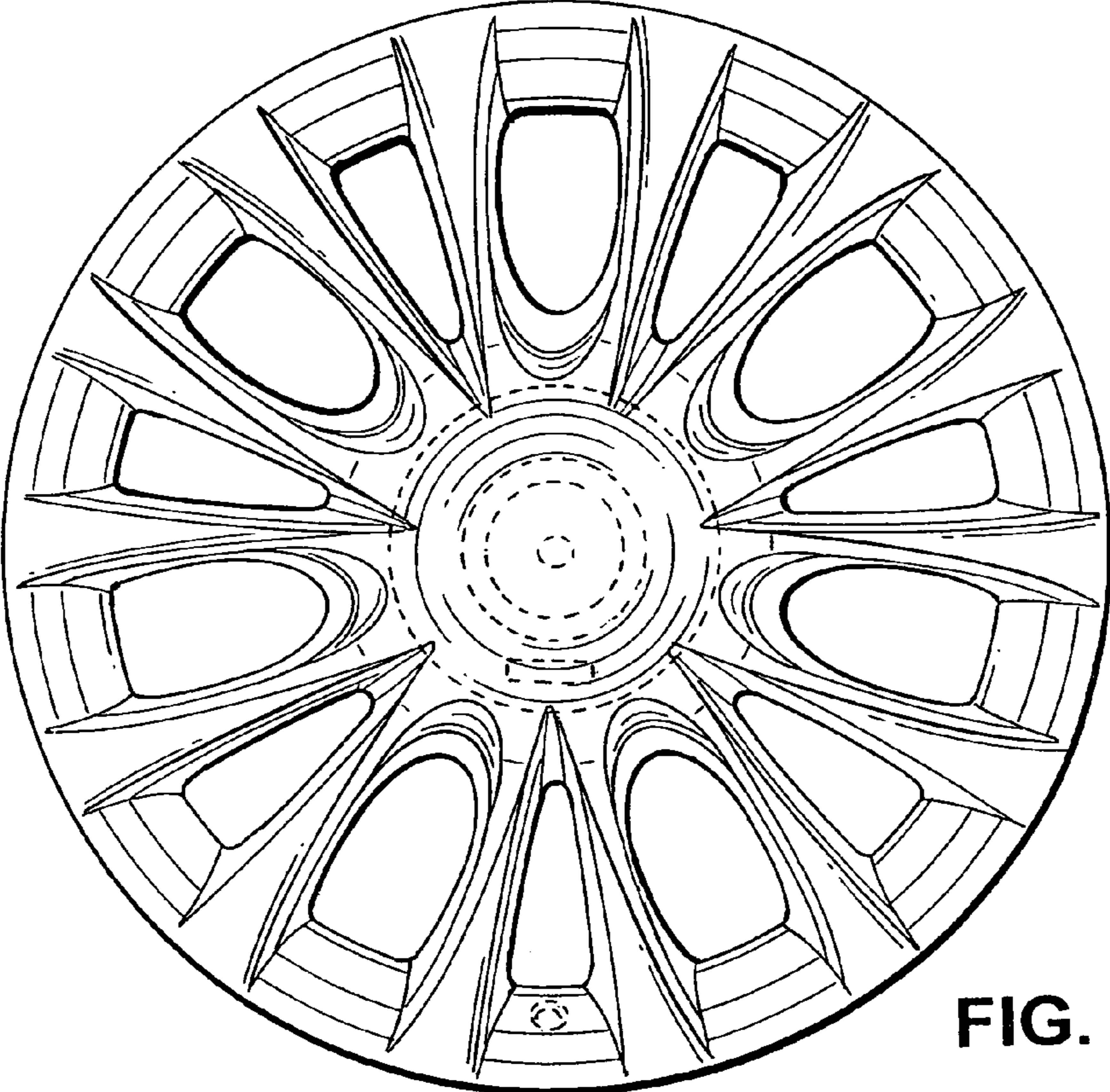


FIG. 1

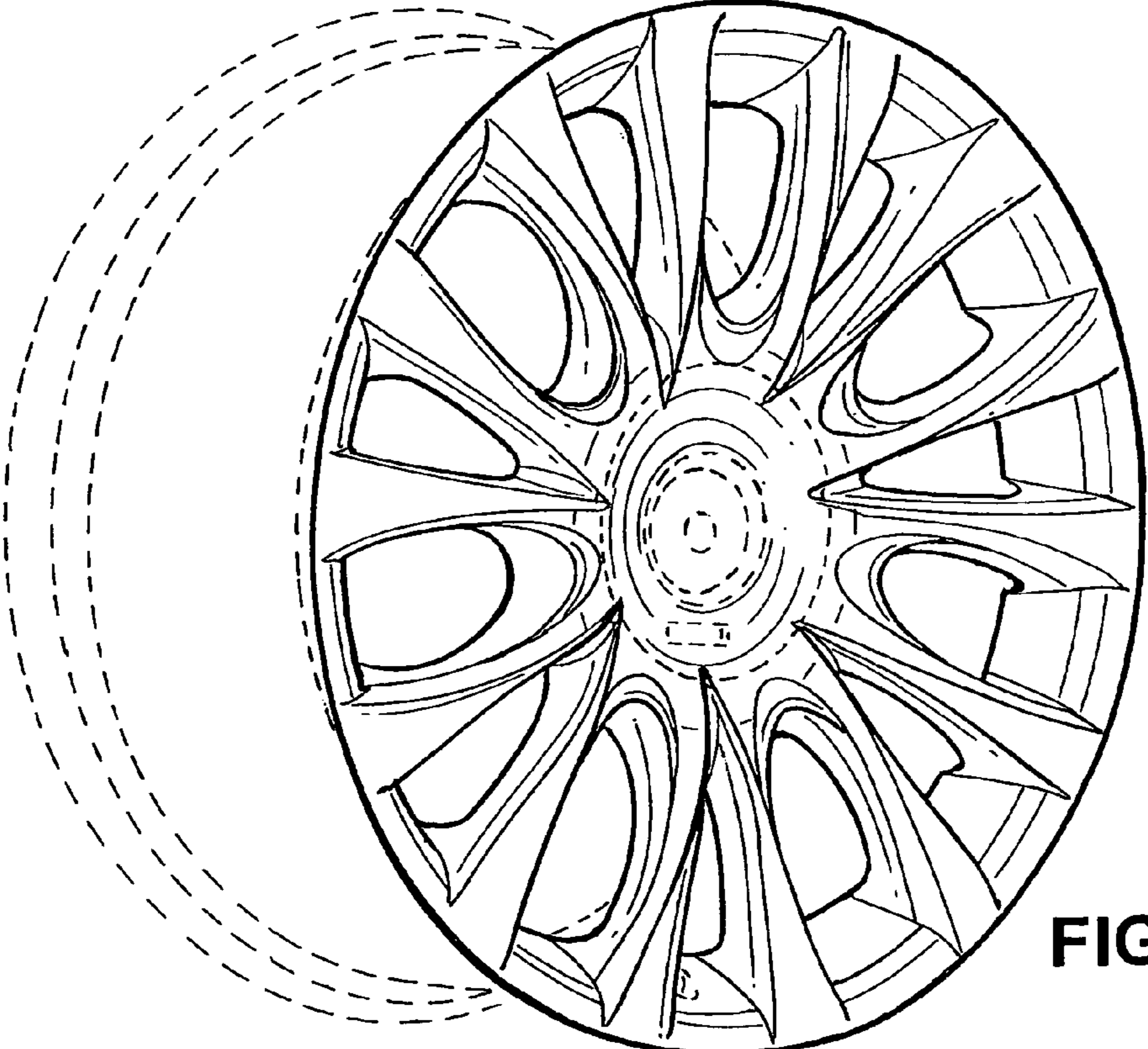


FIG. 2