



US00D625675S

(12) **United States Design Patent**
Juergens et al.

(10) **Patent No.:** **US D625,675 S**

(45) **Date of Patent:** **** Oct. 19, 2010**

(54) **WHEEL OR WHEEL COVER**

D615,018 S * 5/2010 Truebsbach D12/211

(75) Inventors: **Dirk Juergens**, Munich (DE); **Rainer Mueller**, Munich (DE)

FOREIGN PATENT DOCUMENTS

(73) Assignee: **Bayerische Motoren Werke Aktiengesellschaft**, Munich (DE)

EM	000010442-0007	7/2003
EM	000032438-0005	10/2003
EM	000090410-0006	3/2004
EM	000330774-0006	6/2005
EM	000380852-0004	10/2005
EM	000440813-0005	1/2006
EM	000473517-0001	3/2006
EM	000660618-0003	3/2007
EM	000735758-0003	7/2007
EM	000997572-0006	10/2008
EM	000997572-0009	8/2009
EM	000825609-0001	11/2009
EM	000825609-0003	11/2009
EM	001598277-0002	1/2010
EM	001598277-0010	1/2010

(**) Term: **14 Years**

(21) Appl. No.: **29/347,278**

(22) Filed: **Nov. 19, 2009**

(30) **Foreign Application Priority Data**

May 20, 2009 (DE) 40 2009 002 602

(51) **LOC (9) Cl.** **12-16**

(52) **U.S. Cl.** **D12/209**

(58) **Field of Classification Search** D12/204-213;
301/37.101, 64.101, 65, 64.201

See application file for complete search history.

* cited by examiner

Primary Examiner—Stacia Cadmus

(74) *Attorney, Agent, or Firm*—Crowell & Moring LLP

(56) **References Cited**

U.S. PATENT DOCUMENTS

D488,420 S	*	4/2004	Murkett et al.	D12/209
D503,668 S		4/2005	Boyer	
D504,097 S		4/2005	Markefka	
D516,002 S	*	2/2006	Fahr-Becker	D12/211
D516,493 S		3/2006	Frizzi	
D521,438 S		5/2006	Nordmann	
D522,434 S		6/2006	Langer	
D530,257 S	*	10/2006	Pfeiffer	D12/211
D537,026 S		2/2007	Nordmann	
D540,240 S		4/2007	Kountouras	
D542,728 S	*	5/2007	Ichinose	D12/211
D558,118 S		12/2007	Hueller	
D567,167 S	*	4/2008	Forster	D12/211
D590,319 S		4/2009	Juergens et al.	
D590,757 S	*	4/2009	Froehlich	D12/209
D594,396 S		6/2009	Juergens et al.	
D594,397 S	*	6/2009	Laengerer	D12/211
D598,834 S	*	8/2009	Juergens et al.	D12/209

(57) **CLAIM**

The ornamental design for a wheel or wheel cover, as shown and described.

DESCRIPTION

This application contains subject matter related to the following pending U.S. design patent applications:

Application Ser. No. 29/309,913; and,

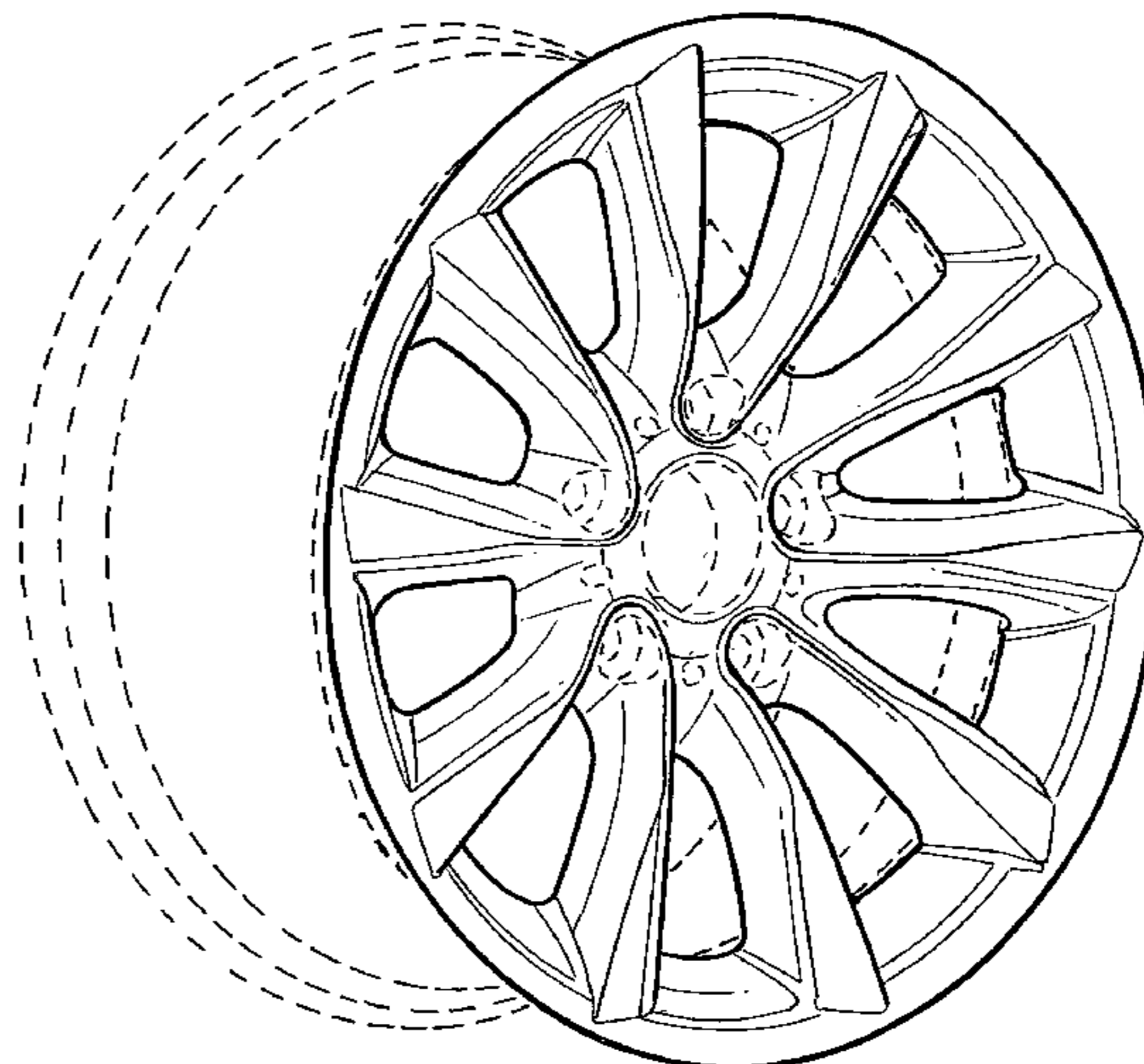
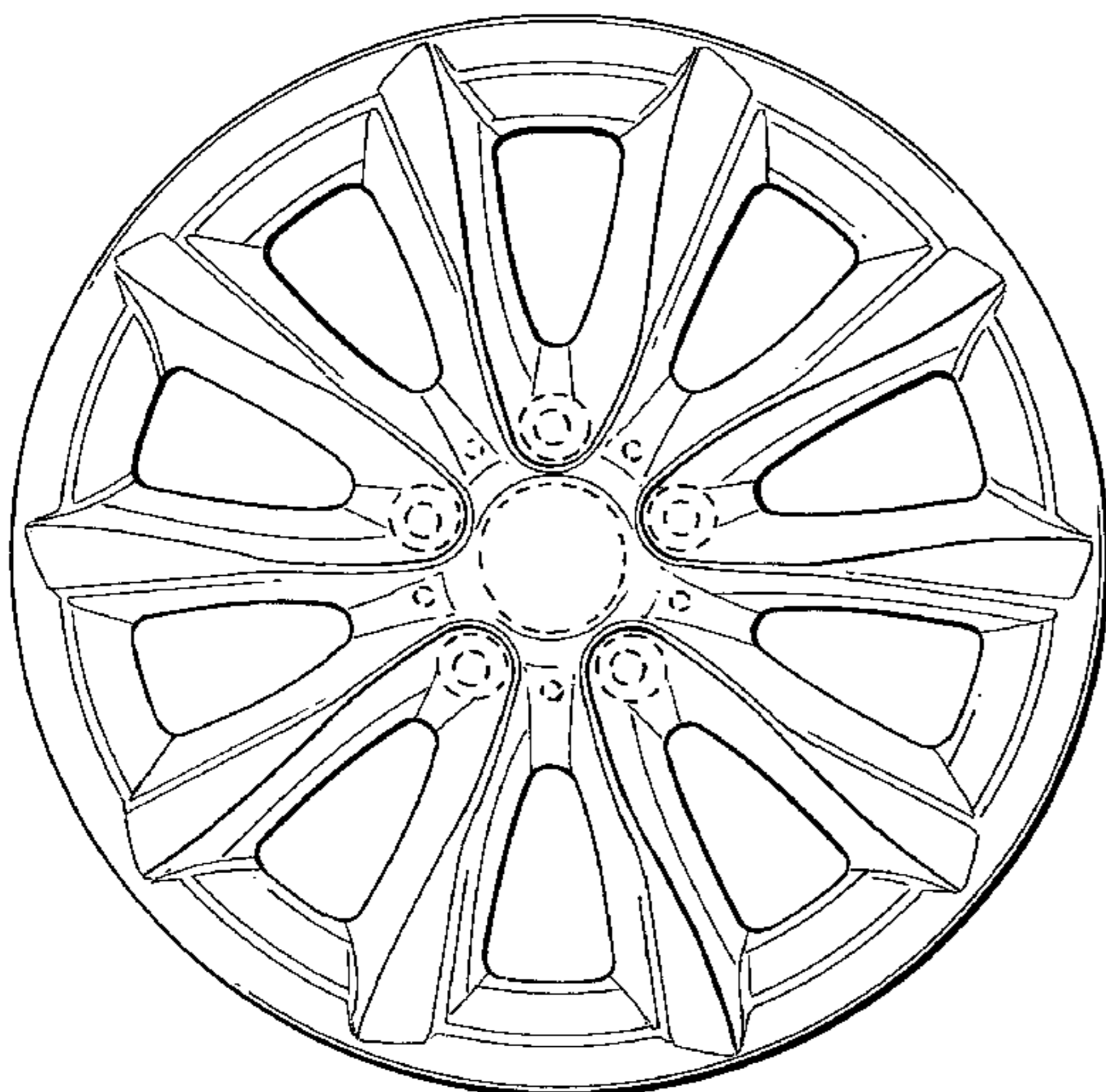
Application Ser. No. 29/347,018.

FIG. 1 is a front view of a wheel or wheel cover according to our design; and,

FIG. 2 is a perspective view thereof.

The broken line showing of the rear of the rim and the bolt holes and center hole in the central hub area is included for the purpose of illustrating environment and forms no part of the claimed design.

1 Claim, 1 Drawing Sheet



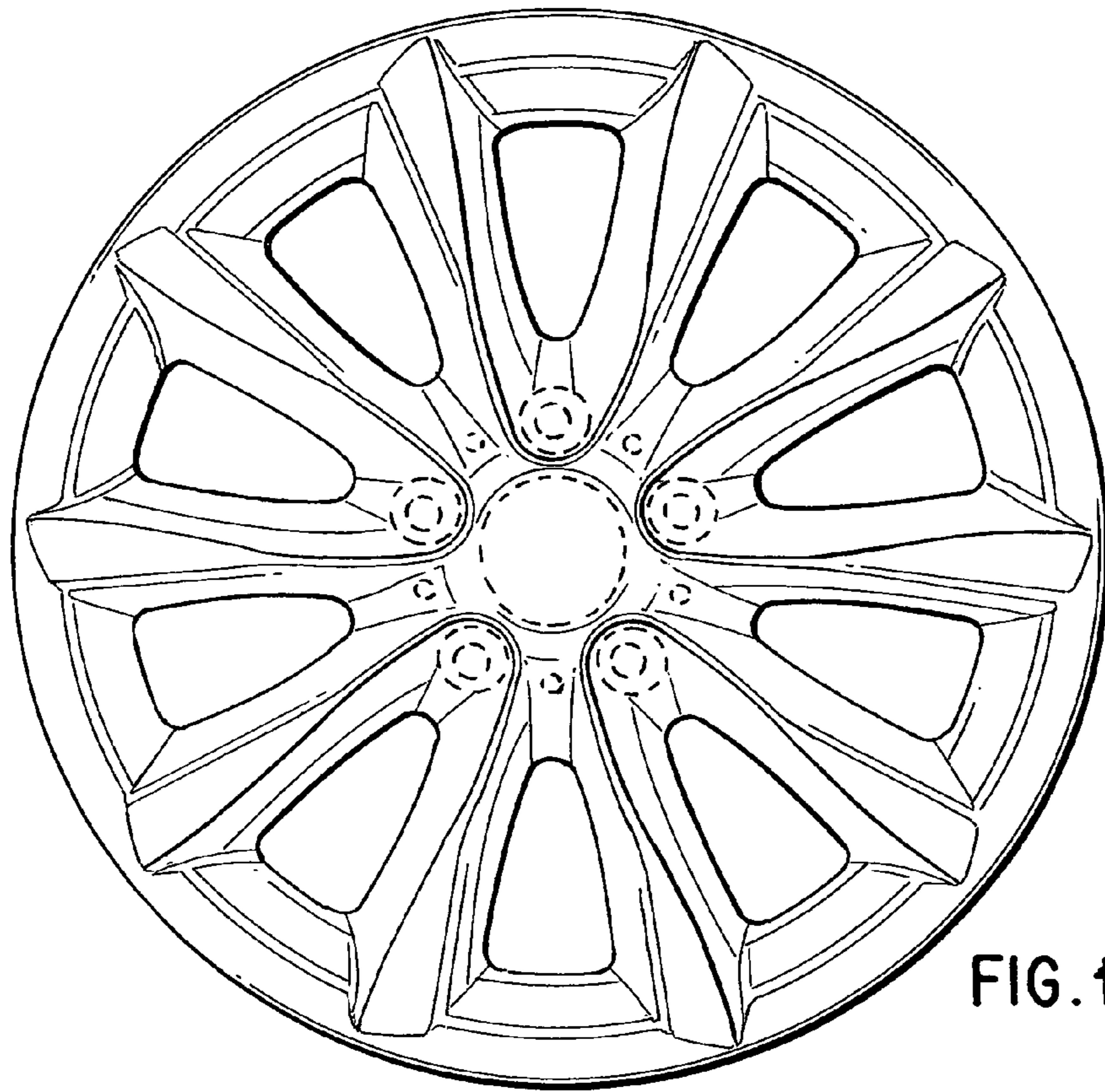


FIG. 1

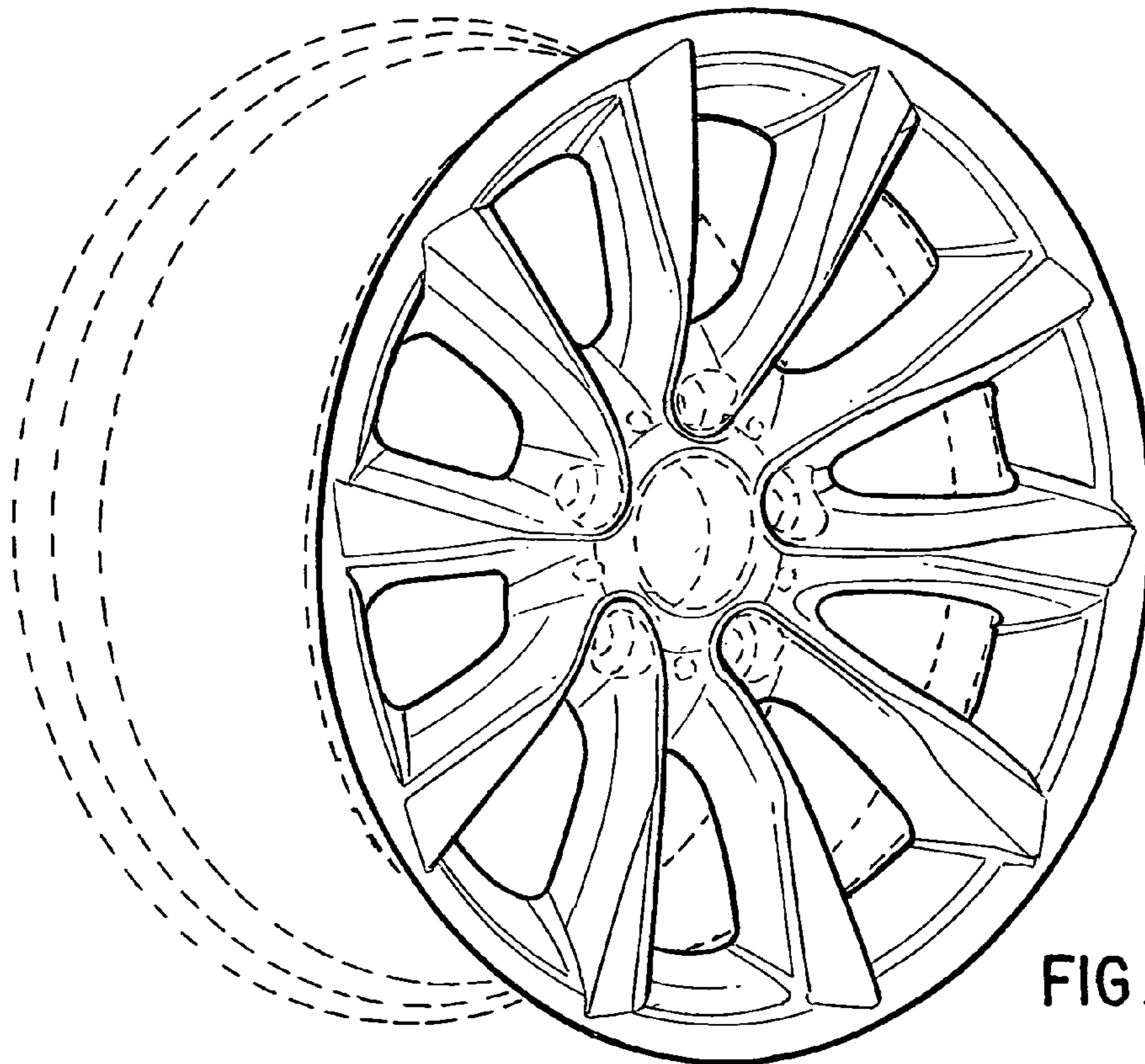


FIG. 2