



US00D625673S

(12) **United States Design Patent**  
**Rodriguez**

(10) **Patent No.:** **US D625,673 S**  
(45) **Date of Patent:** **\*\* Oct. 19, 2010**

(54) **RETRACTABLE VEHICLE WINDSHIELD  
SUN SHADE**

D475,005 S \* 5/2003 Grijalva ..... D12/191  
D514,055 S \* 1/2006 Hemenway ..... D12/401  
D602,413 S \* 10/2009 Sanderson ..... D12/183  
2005/0199357 A1\* 9/2005 Dunn ..... 160/370.22

(76) Inventor: **Pedro Rodriguez**, 215 NW. 67th Ave.,  
Miami, FL (US) 33126

(\*\*) Term: **14 Years**

(21) Appl. No.: **29/343,000**

(22) Filed: **Sep. 3, 2009**

(51) **LOC (9) Cl.** ..... **12-08**

(52) **U.S. Cl.** ..... **D12/183**

(58) **Field of Classification Search** ..... D12/183,  
D12/181, 19, 400-401; D25/53; 160/105,  
160/370.21, DIG. 12, DIG. 3, 368.1; 280/749;  
296/97.1, 97.7

See application file for complete search history.

(56) **References Cited**

**U.S. PATENT DOCUMENTS**

4,736,980	A	4/1988	Eubanks	
5,495,884	A	3/1996	Shikler	
5,562,144	A *	10/1996	Ming-Shun	..... 160/370.22
D379,169	S *	5/1997	Johnson et al.	..... D12/183
D410,360	S	6/1999	Aranzazu	
6,039,107	A	3/2000	Pittard	
6,079,474	A	6/2000	Lin	
6,227,600	B1	5/2001	Chen	

**OTHER PUBLICATIONS**

WWW.JCWHITNEY.COM; Original Shade Sunshade; Internet; as of Sep. 3, 2009.

\* cited by examiner

*Primary Examiner*—T. Chase Nelson

*Assistant Examiner*—Michael A Pratt

(57) **CLAIM**

The ornamental design for a retractable vehicle windshield sun shade, as shown and described.

**DESCRIPTION**

FIG. 1 is a perspective view of retractable vehicle windshield sun shade showing my new design;

FIG. 2 is a front view thereof;

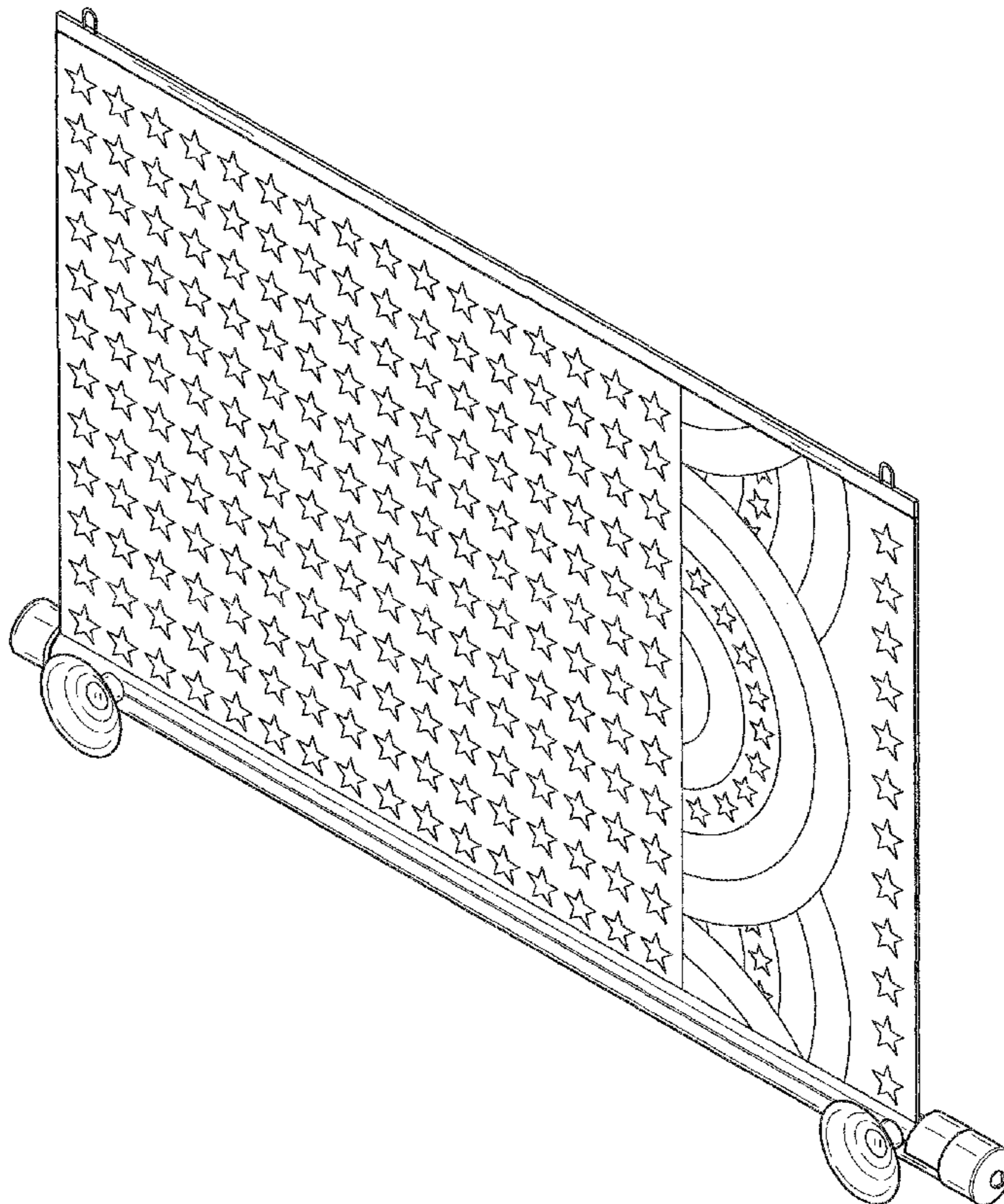
FIG. 3 is a back view thereof;

FIG. 4 is a side view thereof (opposite side is mirror image);

FIG. 5 is a top view thereof; and,

FIG. 6 is a bottom view thereof.

**1 Claim, 3 Drawing Sheets**



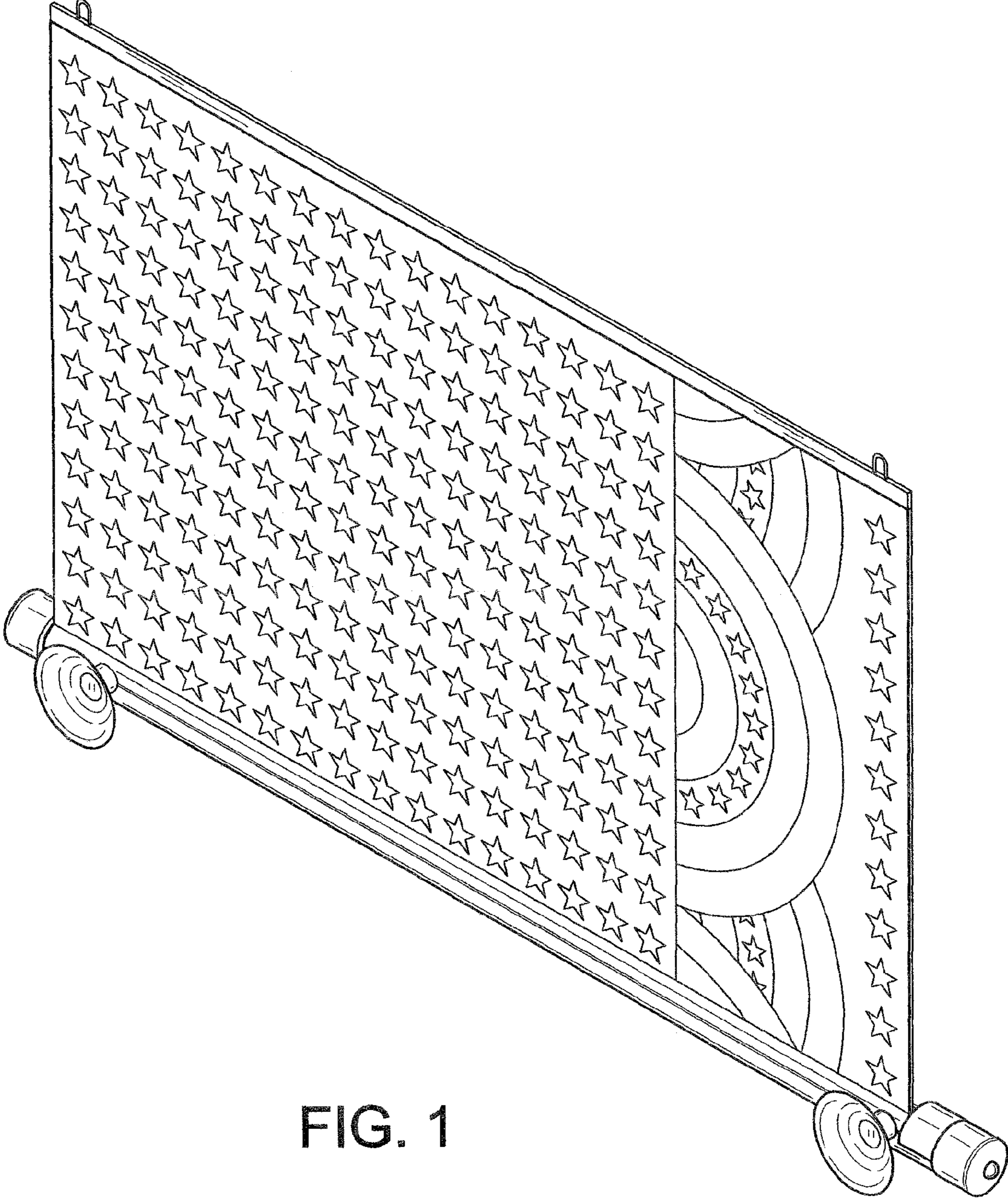


FIG. 1

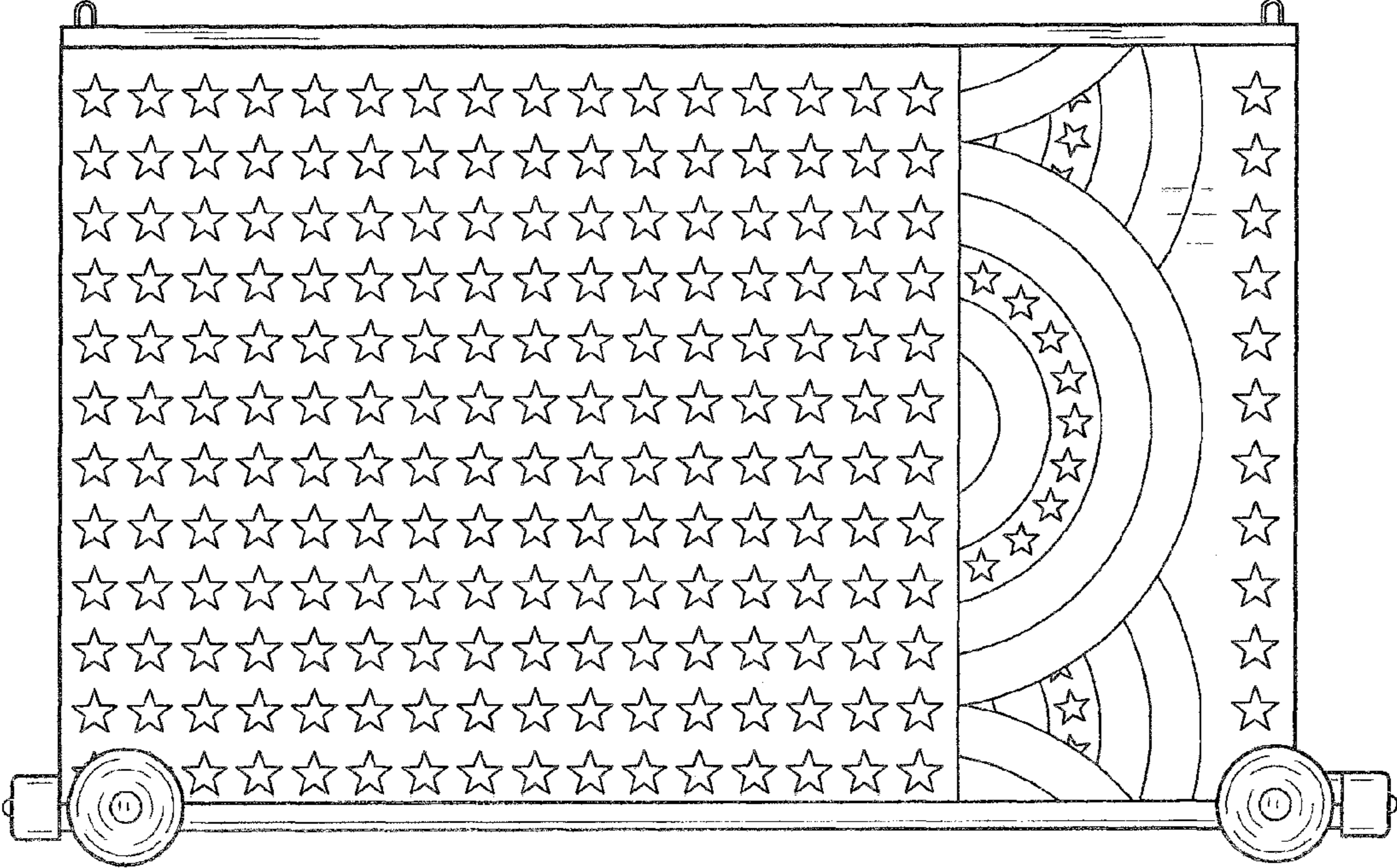


FIG. 2

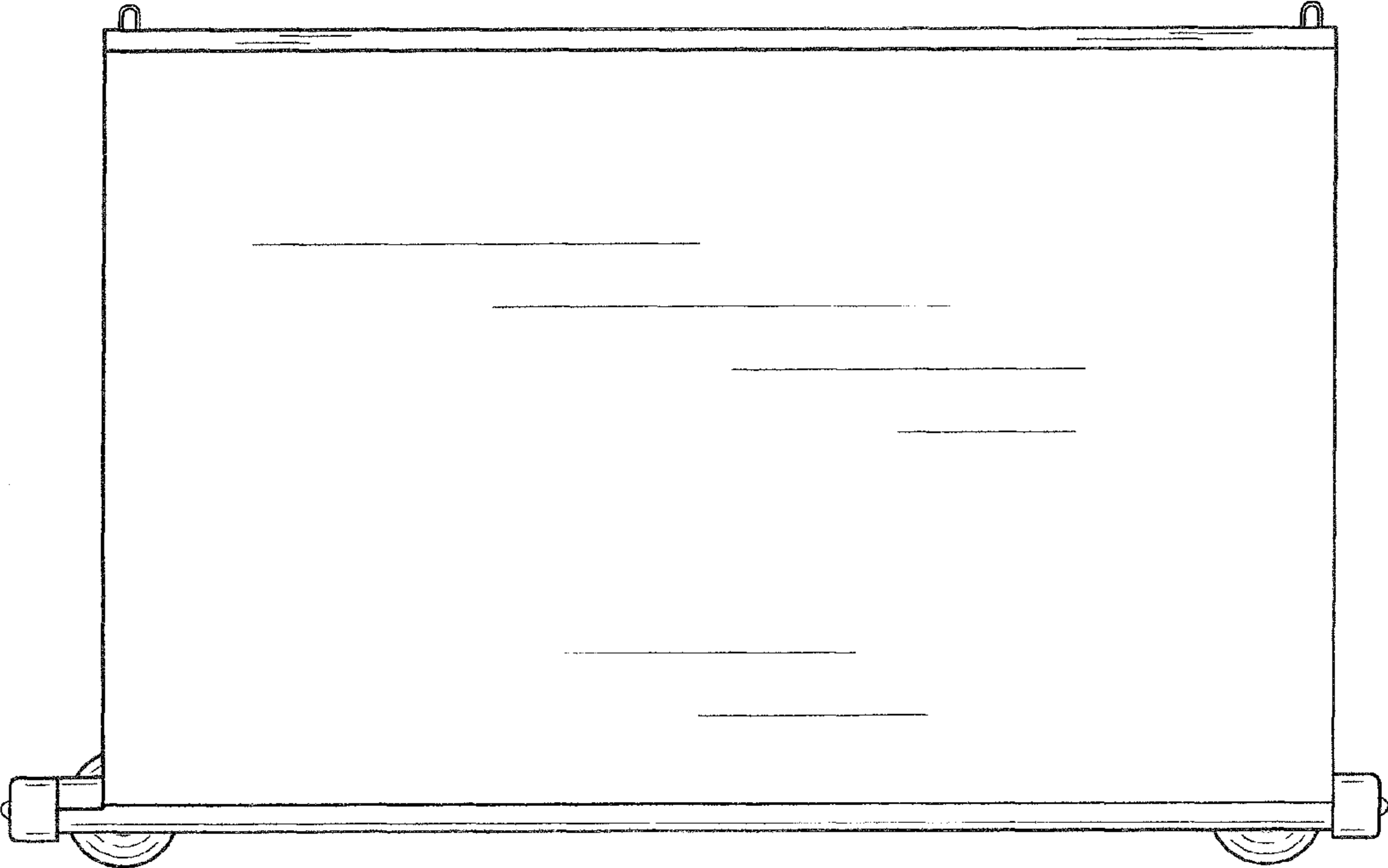


FIG. 3

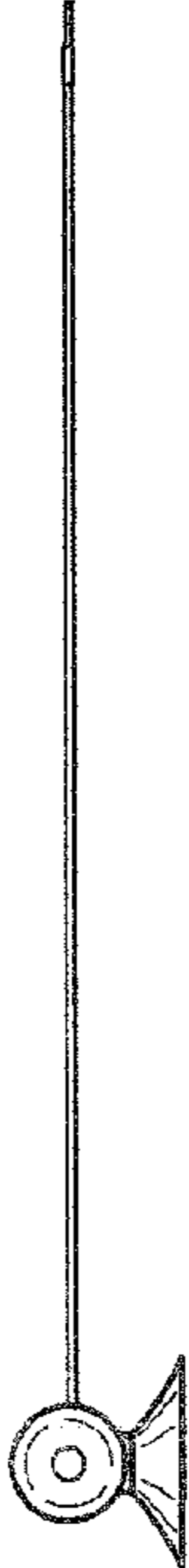


FIG. 4

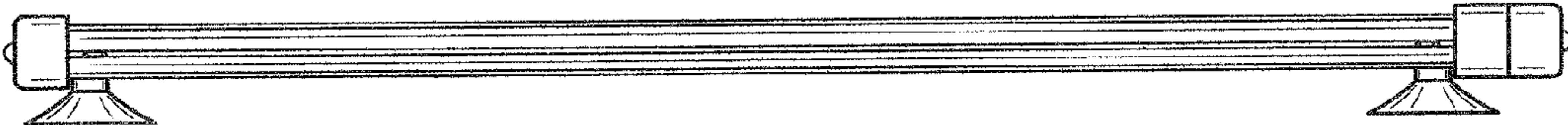


FIG. 5

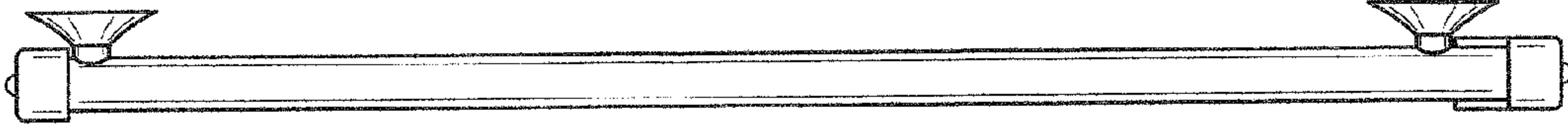


FIG. 6