



US00D625666S

(12) **United States Design Patent**
Treleven

(10) **Patent No.:** **US D625,666 S**
(45) **Date of Patent:** **** Oct. 19, 2010**

(54) **CAMPER TRAILER**

(76) Inventor: **Timothy John Treleven**, 1225 Felix Avenue, Windsor, Ontario (CA) N9C 3L6

(**) Term: **14 Years**

(21) Appl. No.: **29/347,469**

(22) Filed: **Jan. 28, 2010**

(30) **Foreign Application Priority Data**

Dec. 17, 2009 (CA) 133514

(51) **LOC (9) Cl.** **12-10**

(52) **U.S. Cl.** **D12/102**

(58) **Field of Classification Search** D12/19,
D12/129, 101-106, 404; D21/425, 435;
D34/21-26, 12, 16; 296/168, 180, 180.2,
296/10, 61, 100.01-100.08; 280/204, 205,
280/63, 475, 482, 647

See application file for complete search history.

(56) **References Cited**

U.S. PATENT DOCUMENTS

D299,629 S * 1/1989 Irelan D12/102
D389,785 S * 1/1998 Guzak D12/102
D411,144 S * 6/1999 Hamers D12/102
D416,858 S * 11/1999 Domanski D13/114
D458,190 S * 6/2002 LeDonne D12/102

D546,245 S * 7/2007 Heard D12/102
D601,059 S * 9/2009 Greer D12/101
D603,299 S * 11/2009 Prusmack D12/102
2003/0107234 A1 * 6/2003 Votruba et al. 296/100.06
2006/0214390 A1 * 9/2006 Pinnell, III 280/475

* cited by examiner

Primary Examiner—Caron Veynar
Assistant Examiner—Katrina A Kile

(57) **CLAIM**

I claim the ornamental design for a camper trailer, as shown and described.

DESCRIPTION

FIG. 1: shows a perspective top, front and first view of a camper trailer showing the design;

FIG. 2: is a first side elevational view thereof;

FIG. 3: is a second side elevational view thereof;

FIG. 4: is a top plan view thereof;

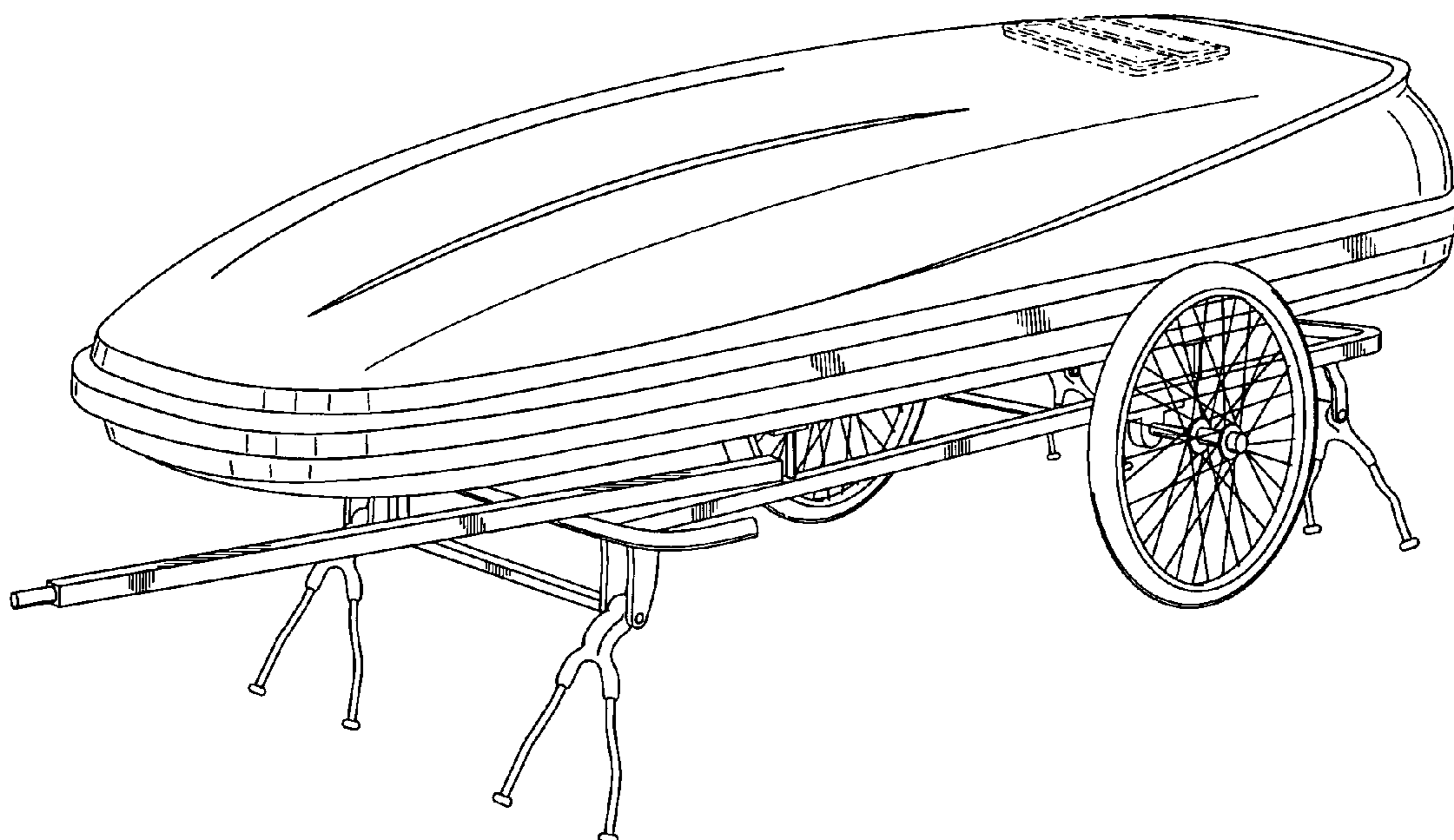
FIG. 5: is a front elevational view thereof;

FIG. 6: is a rear elevational view thereof; and,

FIG. 7: shows a perspective view of the camper trailer in an erected state.

In the drawings, the broken lines in FIG. 7 depict a tent and form no part of the claimed design.

1 Claim, 6 Drawing Sheets



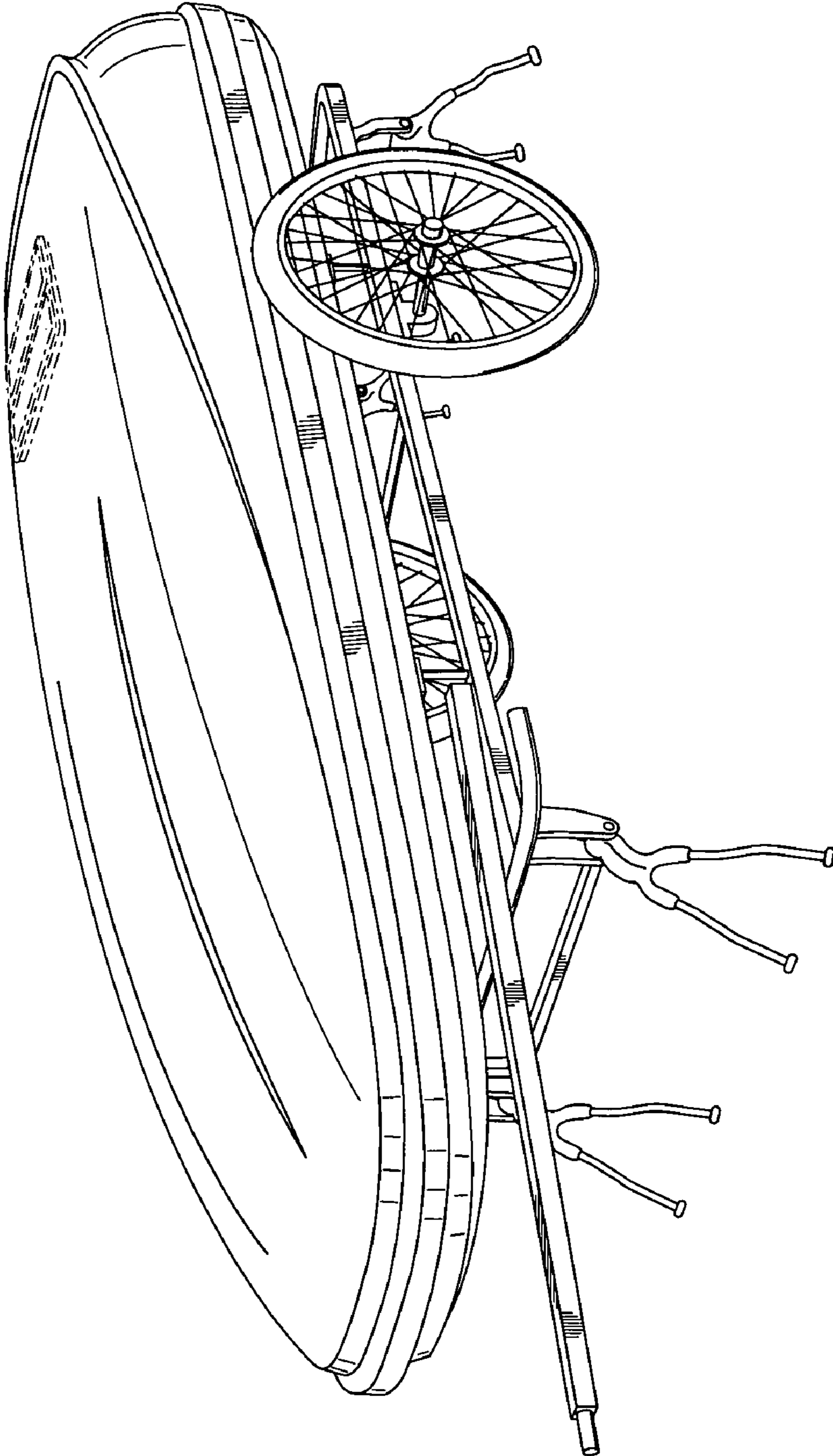


Fig.1

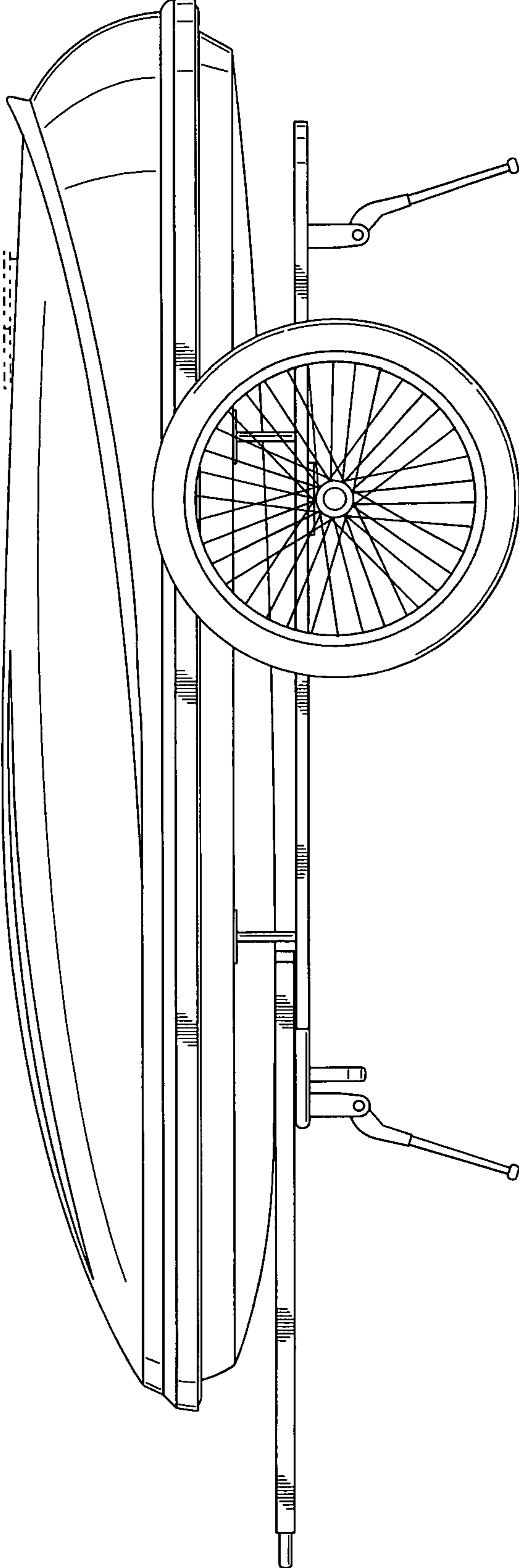
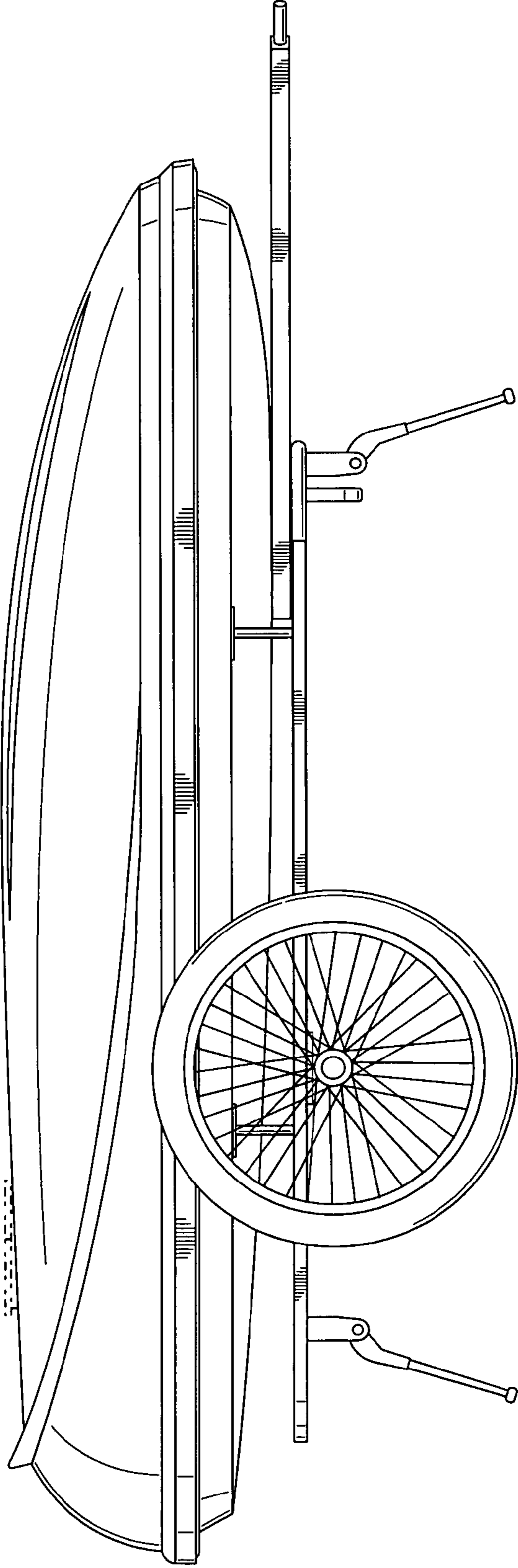


Fig.2

Fig.3



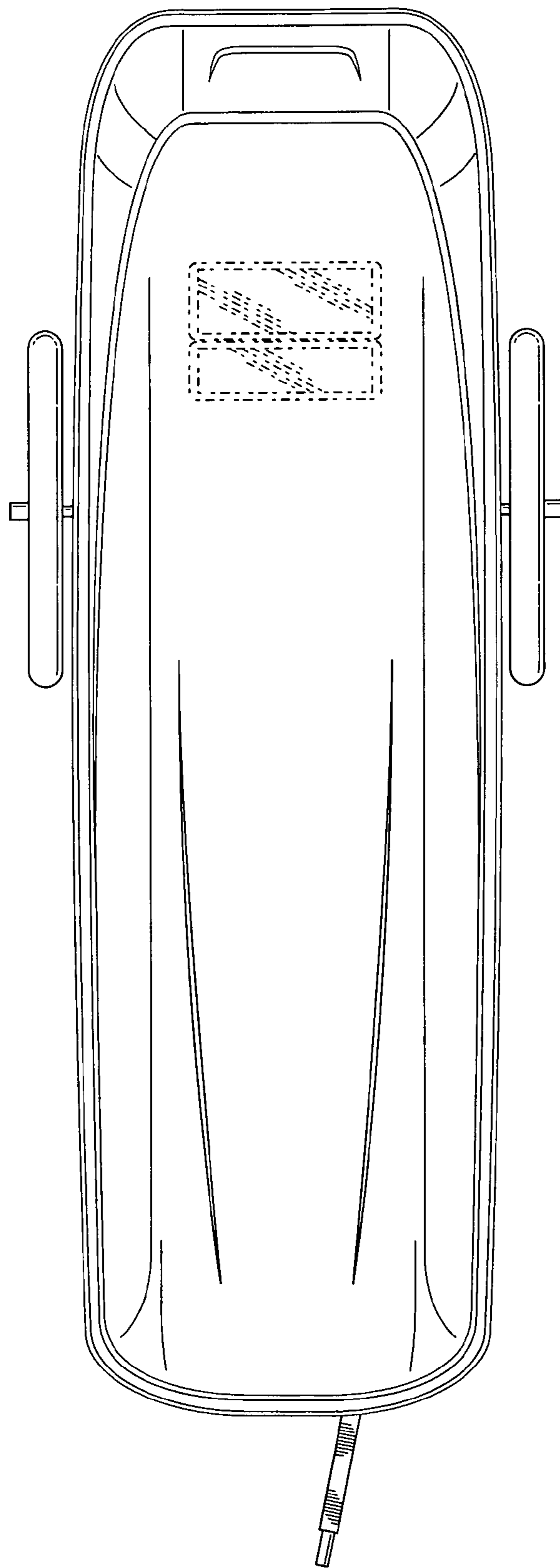


Fig.4

Fig.6

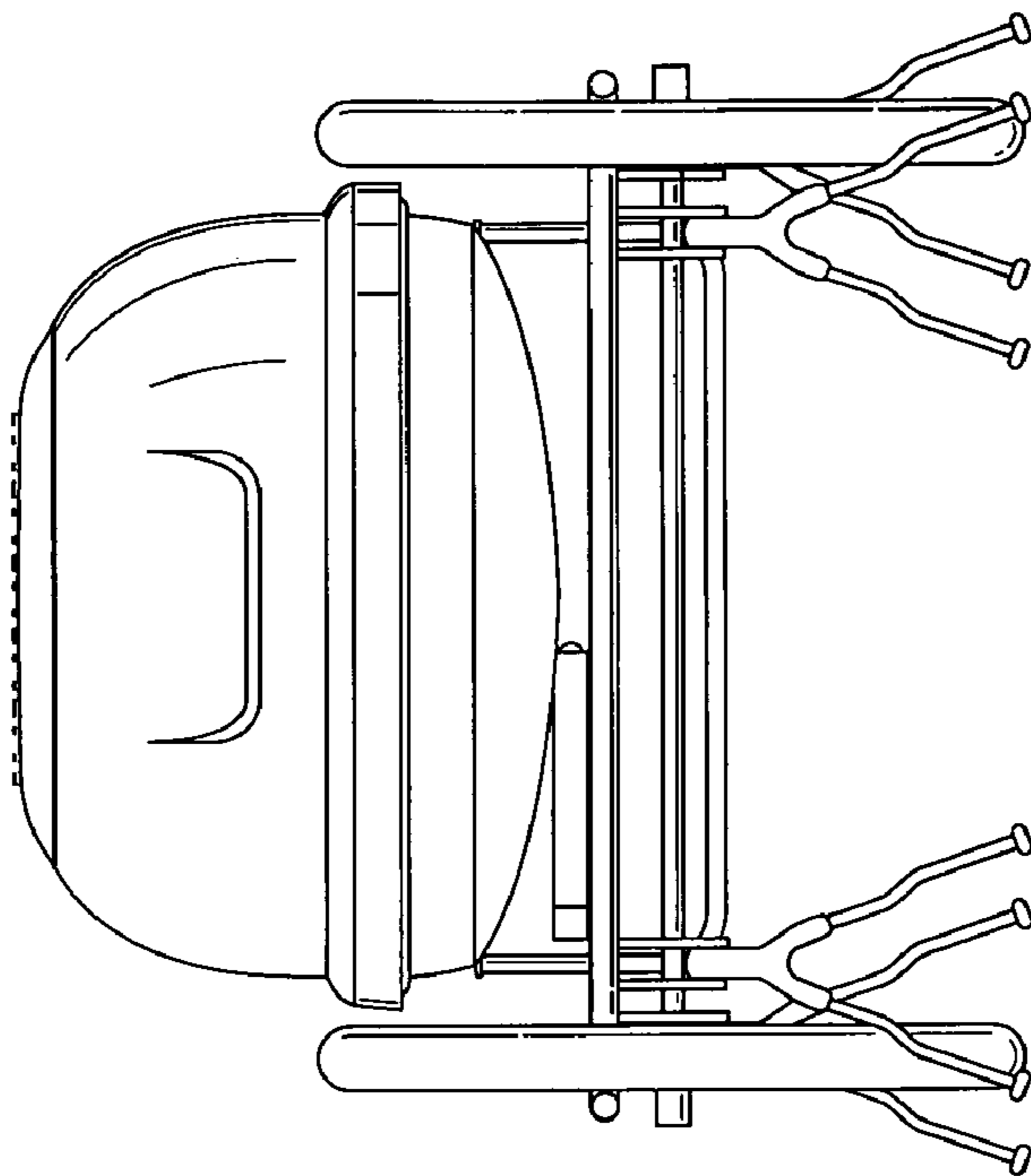
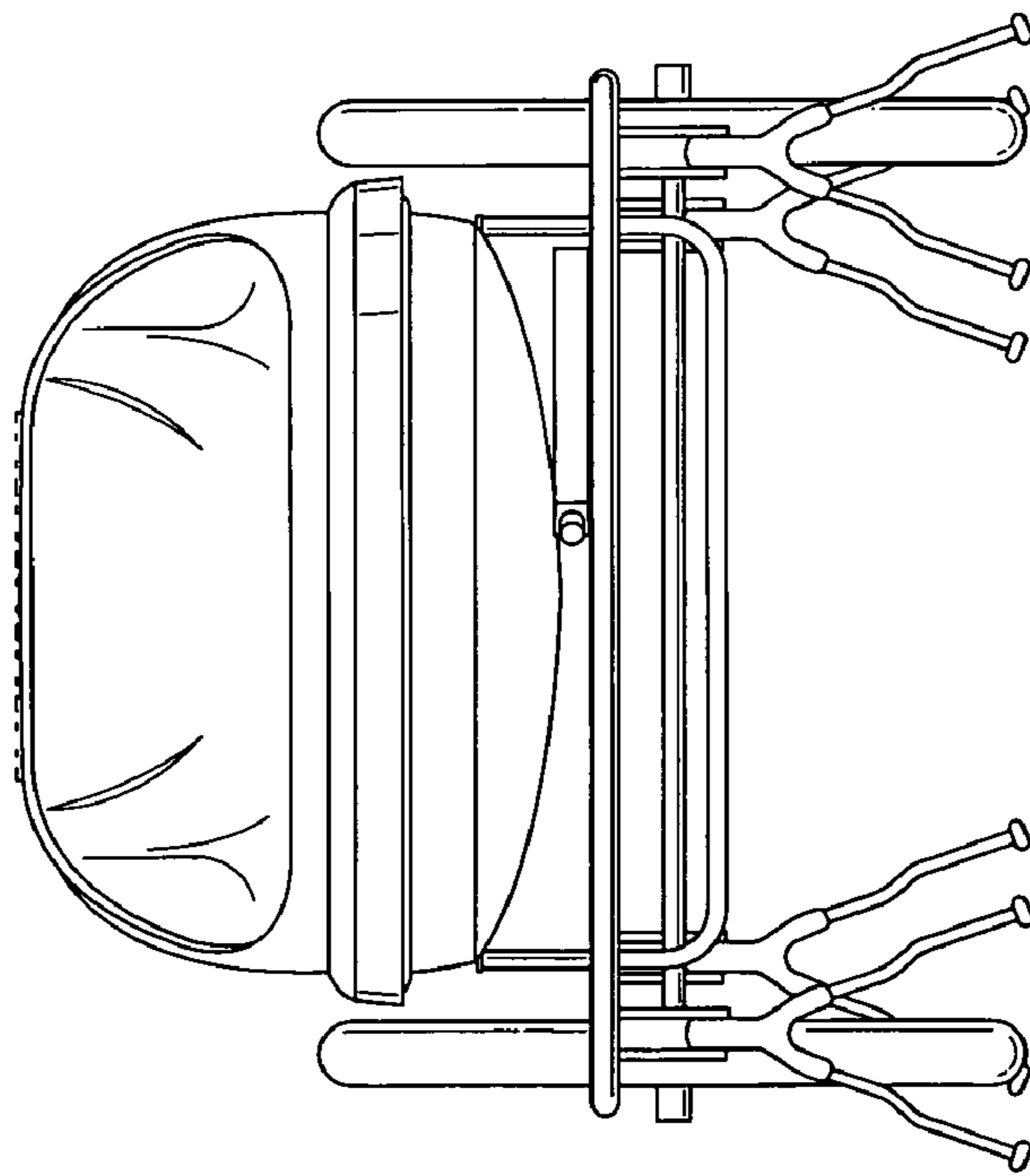


Fig.5



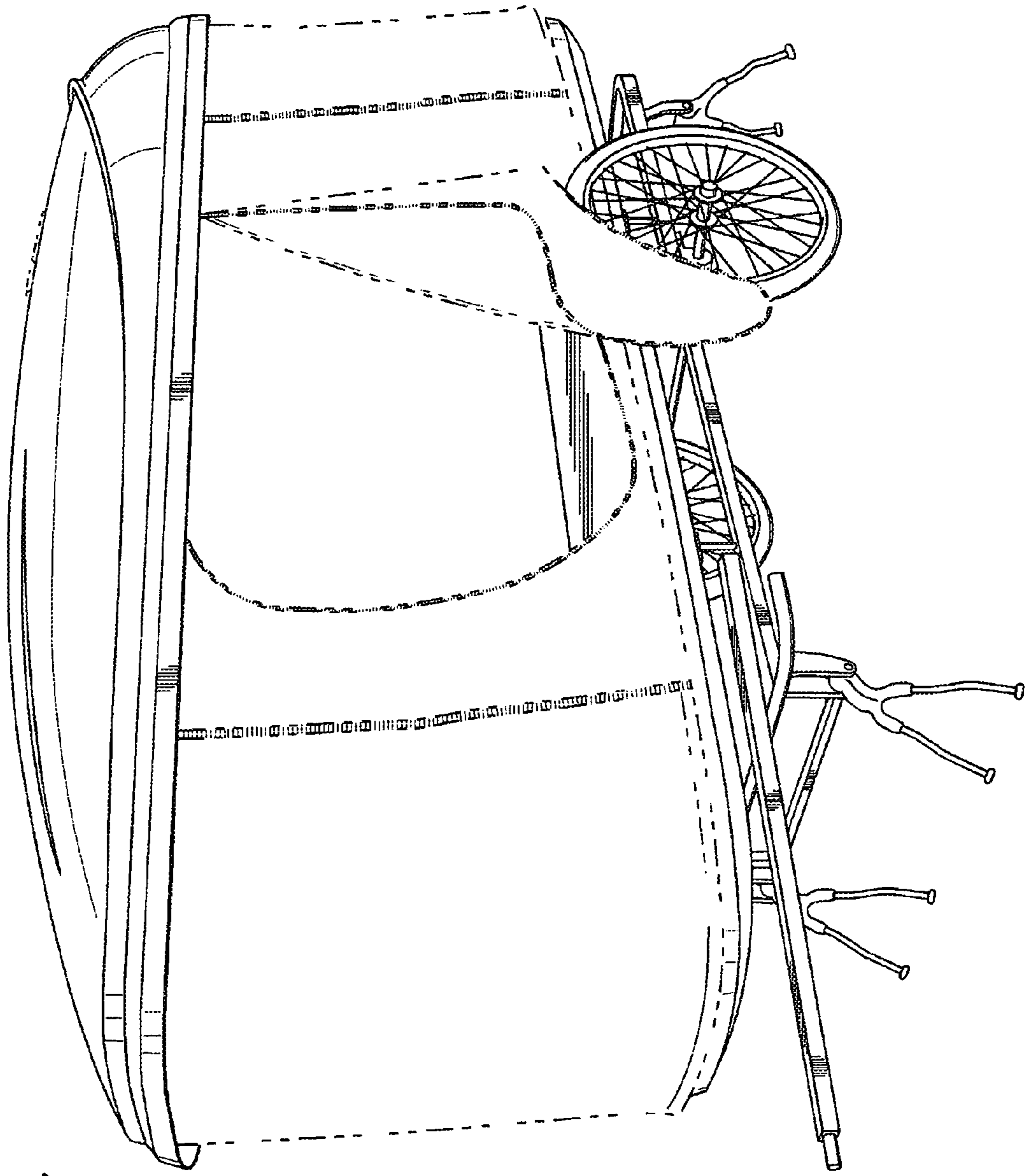


Fig.7