



US00D625665S

(12) **United States Design Patent**  
**Kim et al.**

(10) **Patent No.:** **US D625,665 S**  
(45) **Date of Patent:** **\*\* Oct. 19, 2010**

(54) **MOTOR VEHICLE AND/OR TOY REPLICA THEREOF**

(75) Inventors: **Jin Won Kim**, Newport Beach, CA (US); **Miljan Jevremovic**, Newport Beach, CA (US); **Scott Roller**, Newport Beach, CA (US)

(73) Assignee: **Toyota Jidosha Kabushiki Kaisha** (JP)

(\*\*) Term: **14 Years**

(21) Appl. No.: **29/356,223**

(22) Filed: **Feb. 22, 2010**

(51) **LOC (9) Cl.** ..... **12-08**

(52) **U.S. Cl.** ..... **D12/92**

(58) **Field of Classification Search** ..... D12/86,  
D12/90-92, 88; D21/424, 433, 434; 296/181.1,  
296/181.5

See application file for complete search history.

(56) **References Cited**

**U.S. PATENT DOCUMENTS**

- D603,297 S \* 11/2009 Takahashi ..... D12/92
- D606,901 S \* 12/2009 Inukai et al. .... D12/92
- D611,388 S \* 3/2010 Hogios et al. .... D12/92
- D612,299 S \* 3/2010 Ito et al. .... D12/92

**OTHER PUBLICATIONS**

- Acura RL 2009, Acura, <http://www.acura.com>, 2008.
- Hyundai Genesis, Hyundai, <http://www.hyundai-motor.com>, 2008.
- Lincoln MKS, Lincoln, <http://www.lincoln.com>, 2008.

\* cited by examiner

*Primary Examiner*—Melody N Brown

(74) *Attorney, Agent, or Firm*—SAIDMAN DesignLaw Group

(57) **CLAIM**

The ornamental design for a motor vehicle and/or toy replica thereof, as shown and described.

**DESCRIPTION**

FIG. 1 is a front perspective view of a motor vehicle and/or toy replica thereof showing our new design;

FIG. 2 is a rear perspective view thereof;

FIG. 3 is a right-side view thereof, the left-side view being a mirror image;

FIG. 4 is a top view thereof;

FIG. 5 is a front view thereof; and,

FIG. 6 is a rear view thereof.

**1 Claim, 3 Drawing Sheets**





Fig. 1



Fig. 2

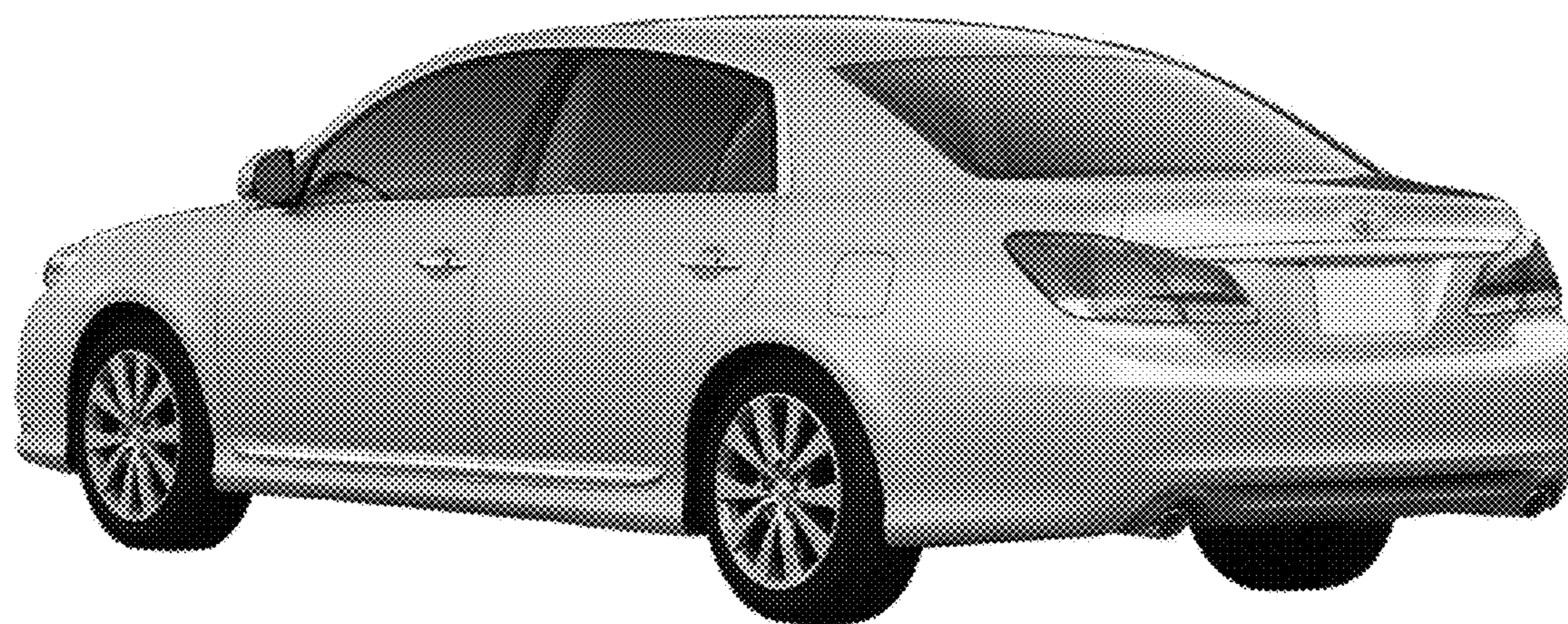




Fig. 3

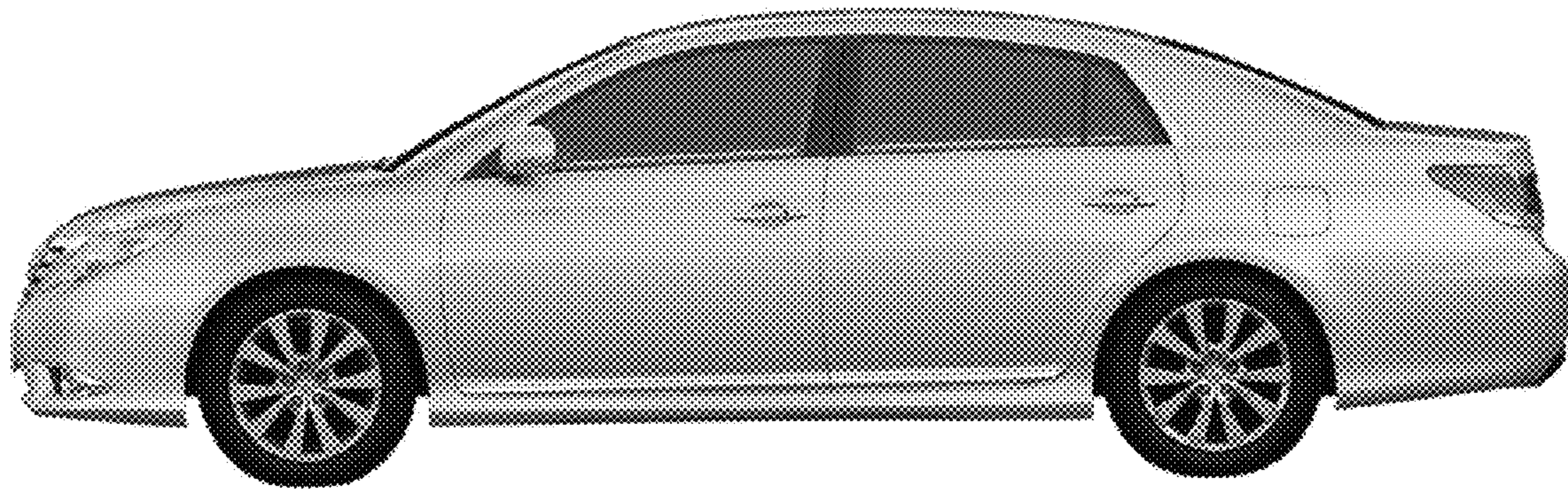


Fig. 4

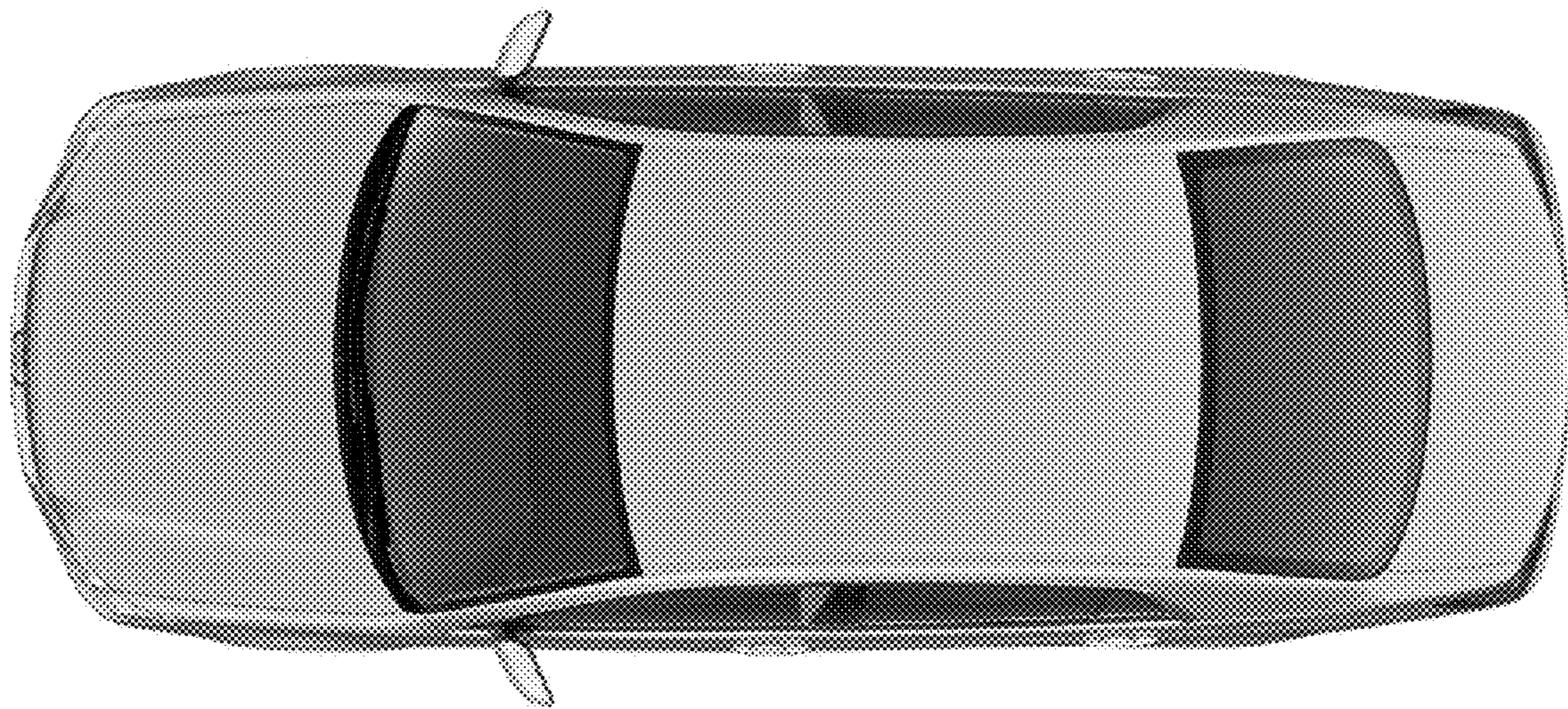




Fig. 5



Fig. 6

