



US00D625662S

(12) **United States Design Patent**  
**Li**

(10) **Patent No.:** **US D625,662 S**

(45) **Date of Patent:** **\*\* Oct. 19, 2010**

(54) **UTILITY TERRAIN VEHICLE**

D563,274 S \* 3/2008 Ramos et al. .... D12/87  
D606,900 S \* 12/2009 Flores ..... D12/87

(75) Inventor: **Guanxiang Li**, Chongqing (CN)

\* cited by examiner

(73) Assignee: **Chongqing Huansong Industries (Group), Co., Ltd.** (CN)

*Primary Examiner*—Melody N Brown  
(74) *Attorney, Agent, or Firm*—Zunxuan “Digger” Chen;  
Hong “Tracy” Zou; Locke Lord Bissell & Liddell LLP

(\*\*) Term: **14 Years**

(21) Appl. No.: **29/362,022**

(57) **CLAIM**

(22) Filed: **May 19, 2010**

The ornamental design for an utility terrain vehicle, as shown and described.

(51) **LOC (9) Cl.** ..... **12-08**

(52) **U.S. Cl.** ..... **D12/87**

(58) **Field of Classification Search** ..... D12/86,  
D12/87, 1; D21/424, 433; 296/181.1, 181.5  
See application file for complete search history.

**DESCRIPTION**

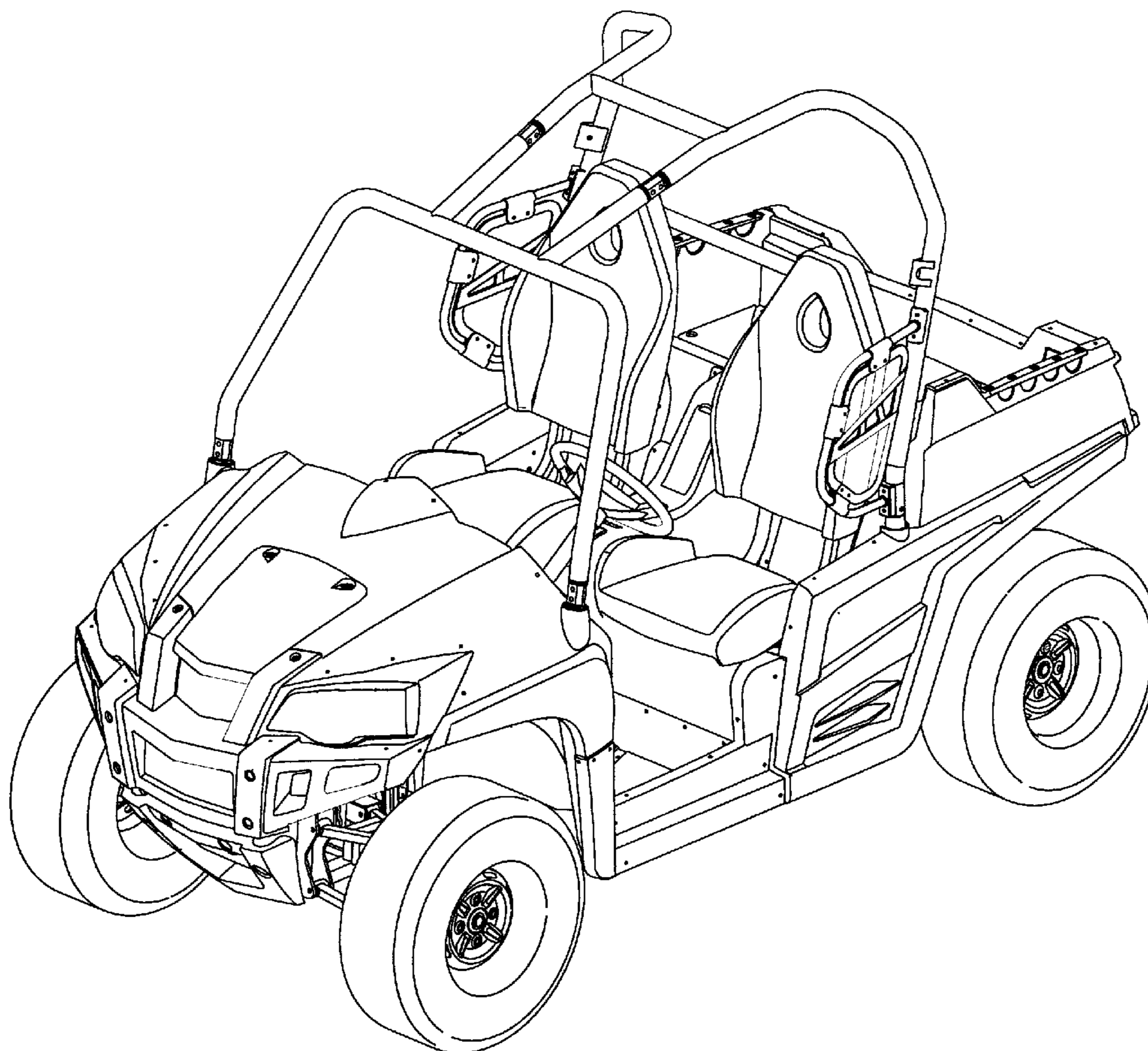
FIG. 1 is a front perspective view of the utility terrain vehicle showing my new design thereof;  
FIG. 2 is a left side view thereof;  
FIG. 3 is a right side view thereof;  
FIG. 4 is a top view thereof;  
FIG. 5 is a bottom view thereof;  
FIG. 6 is a front view thereof; and,  
FIG. 7 is a rear view thereof.

(56) **References Cited**

**U.S. PATENT DOCUMENTS**

D497,324 S \* 10/2004 Chestnut et al. .... D12/87  
D503,658 S \* 4/2005 Lu ..... D12/87  
D535,215 S \* 1/2007 Turner et al. .... D12/87  
D549,133 S \* 8/2007 LePage ..... D12/87  
D555,036 S \* 11/2007 Eck ..... D12/87

**1 Claim, 7 Drawing Sheets**



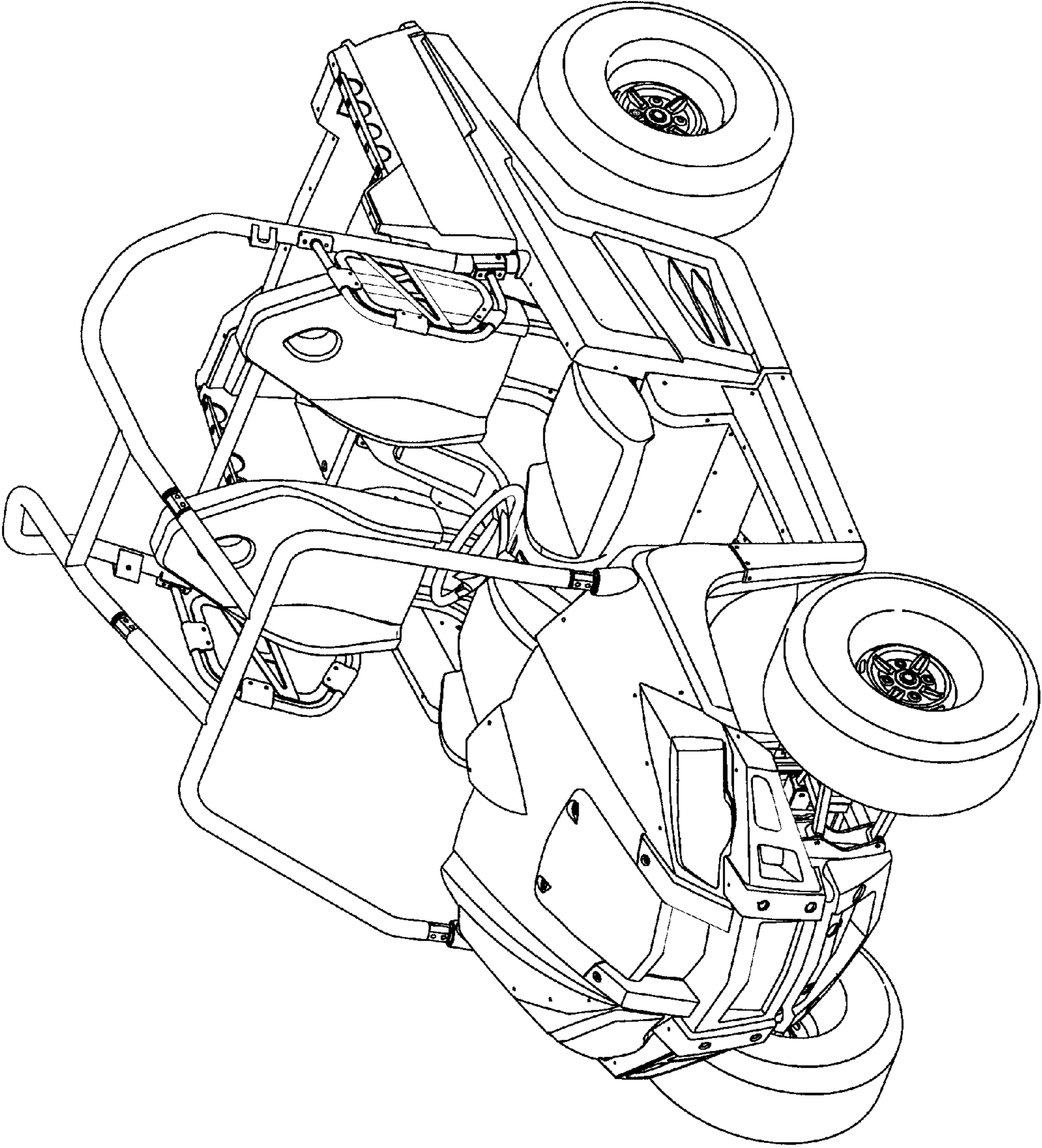


FIG. 1

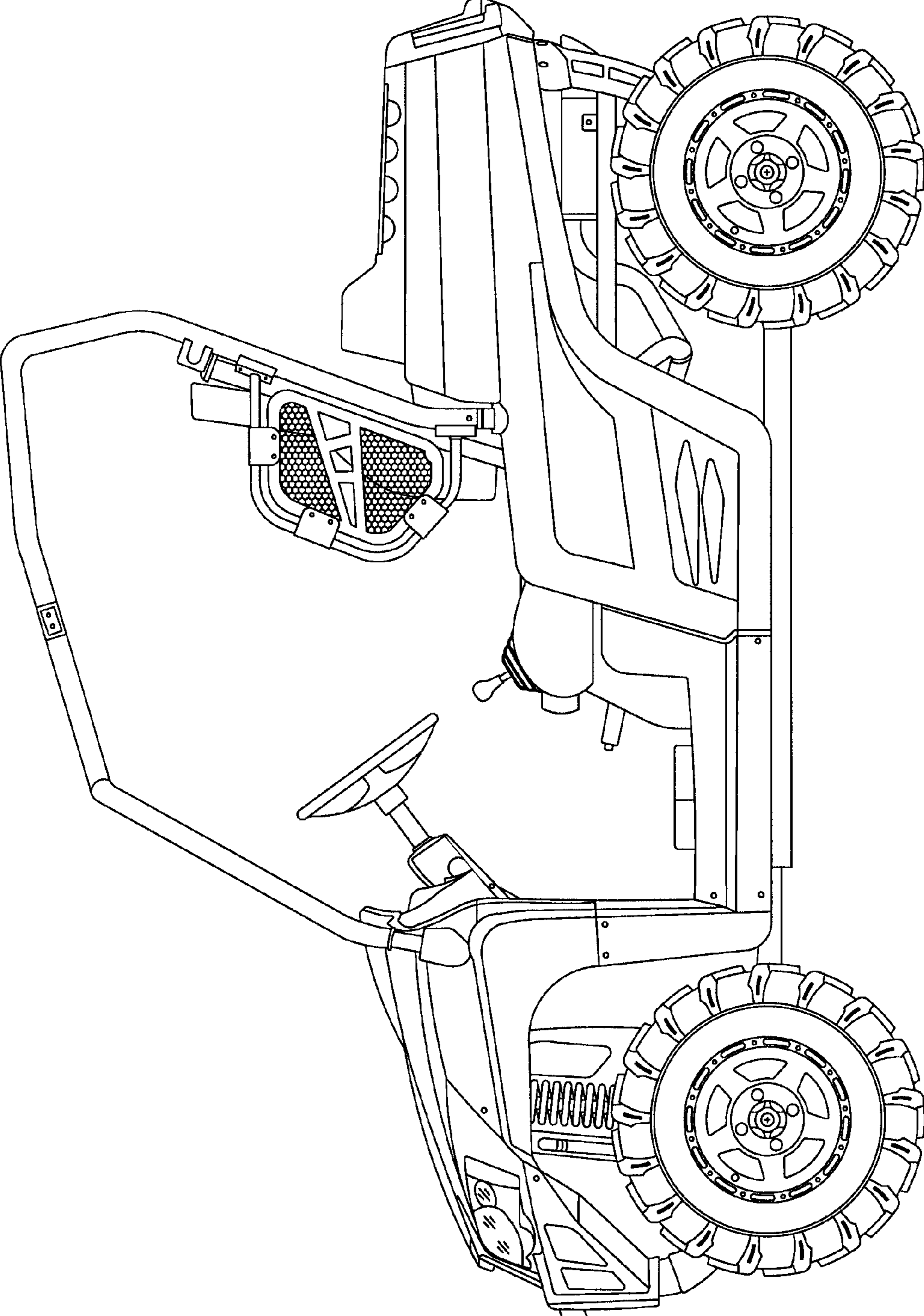


FIG. 2

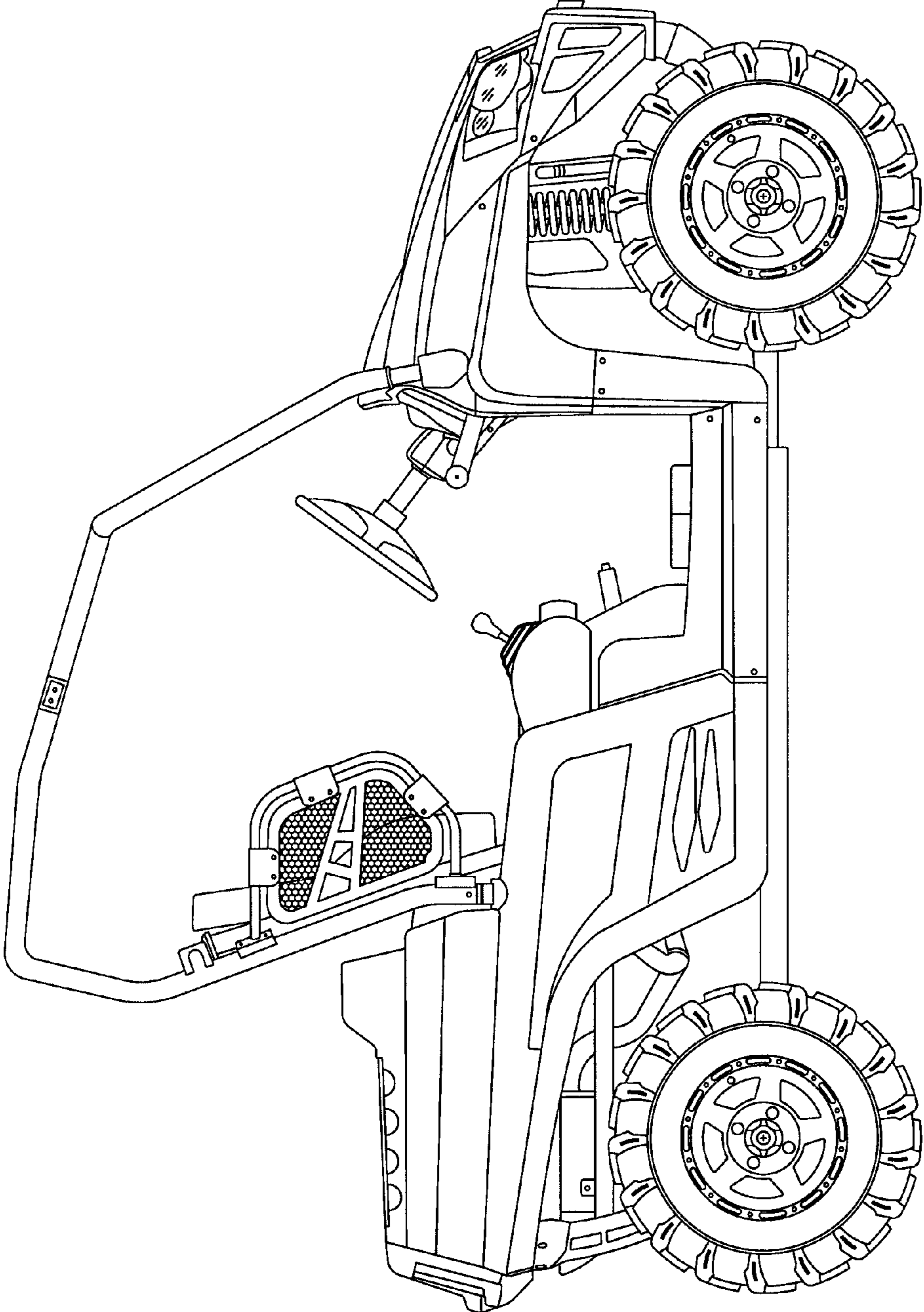


FIG. 3

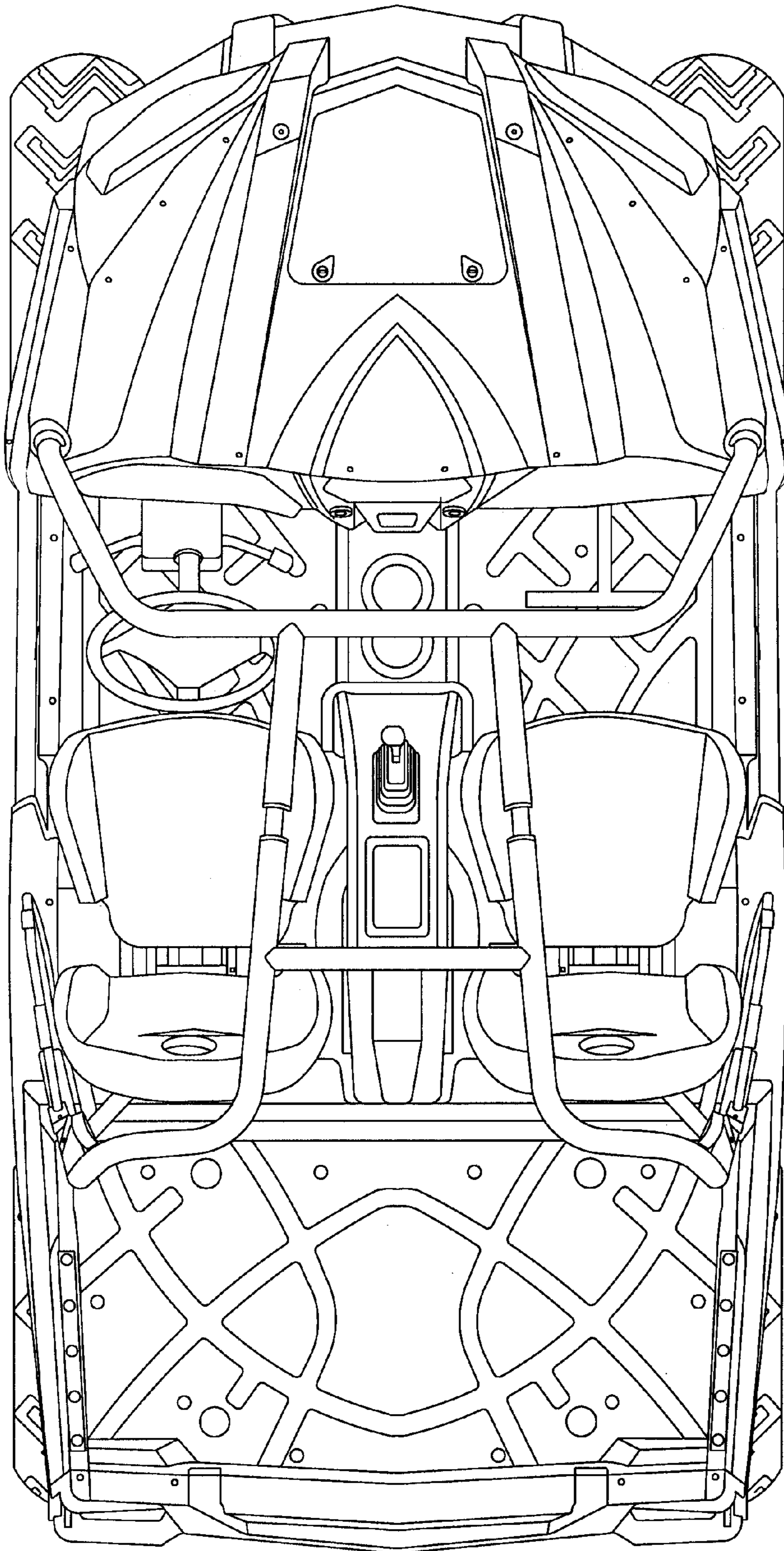


FIG. 4

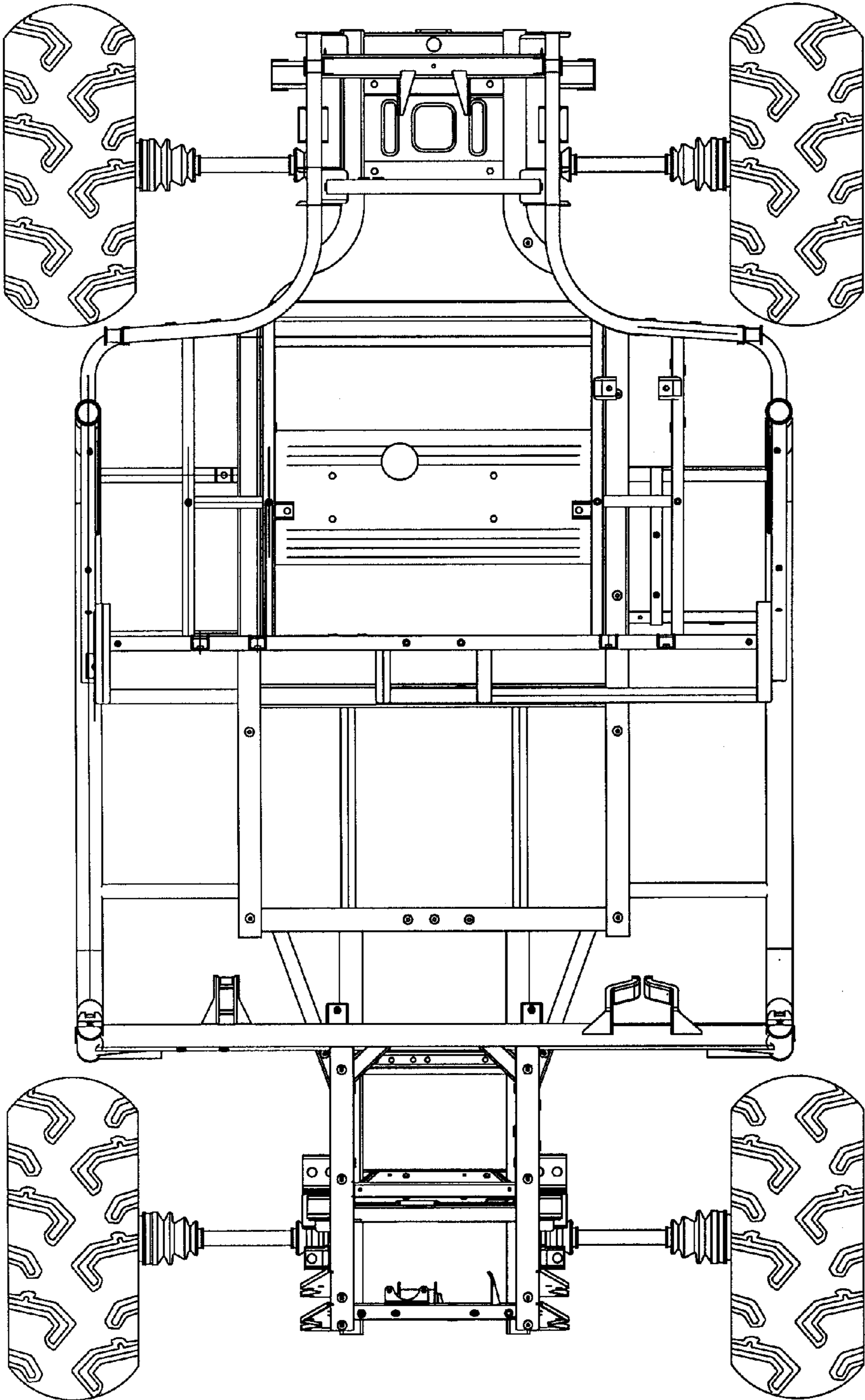


FIG. 5

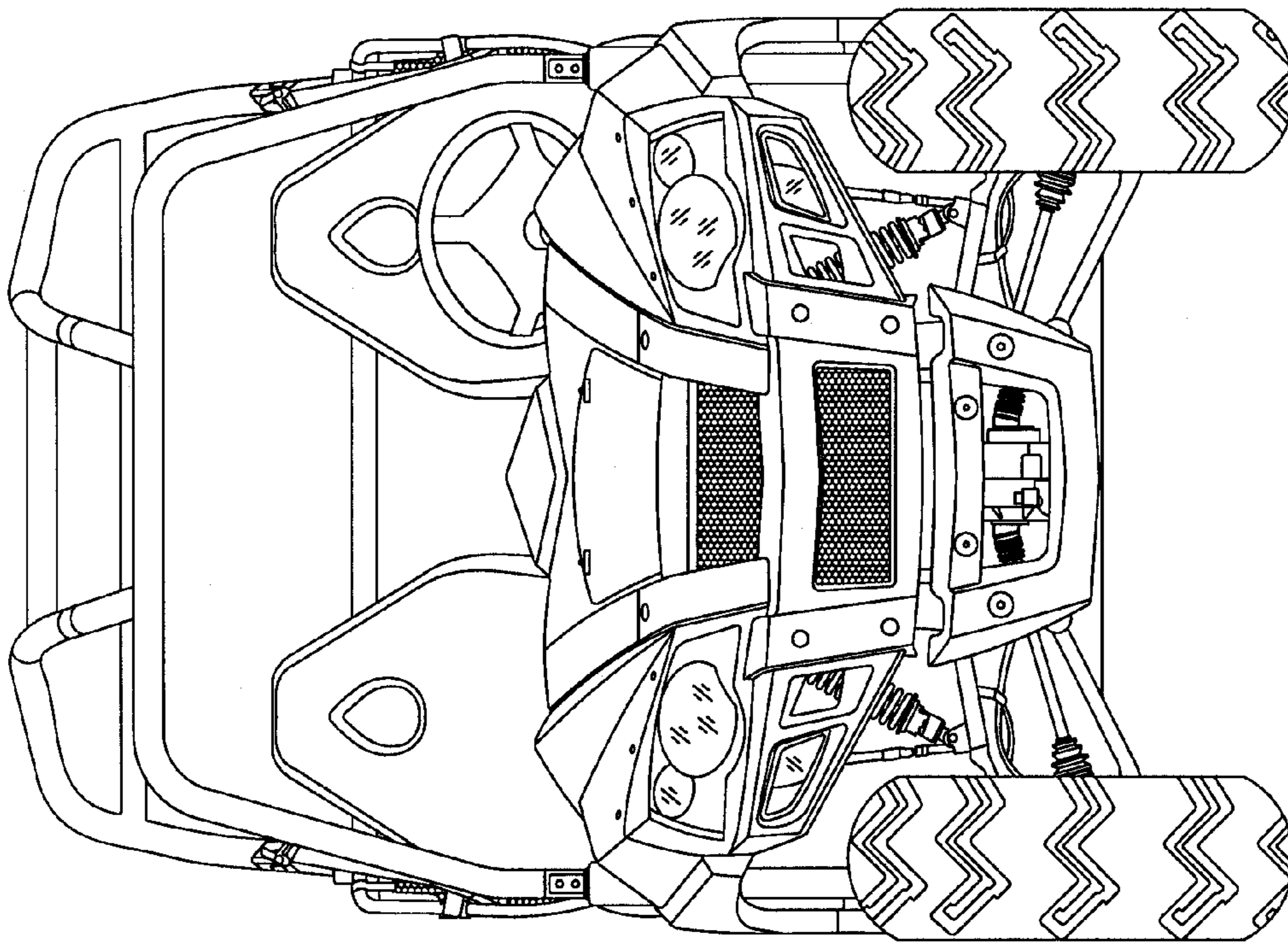


FIG. 6

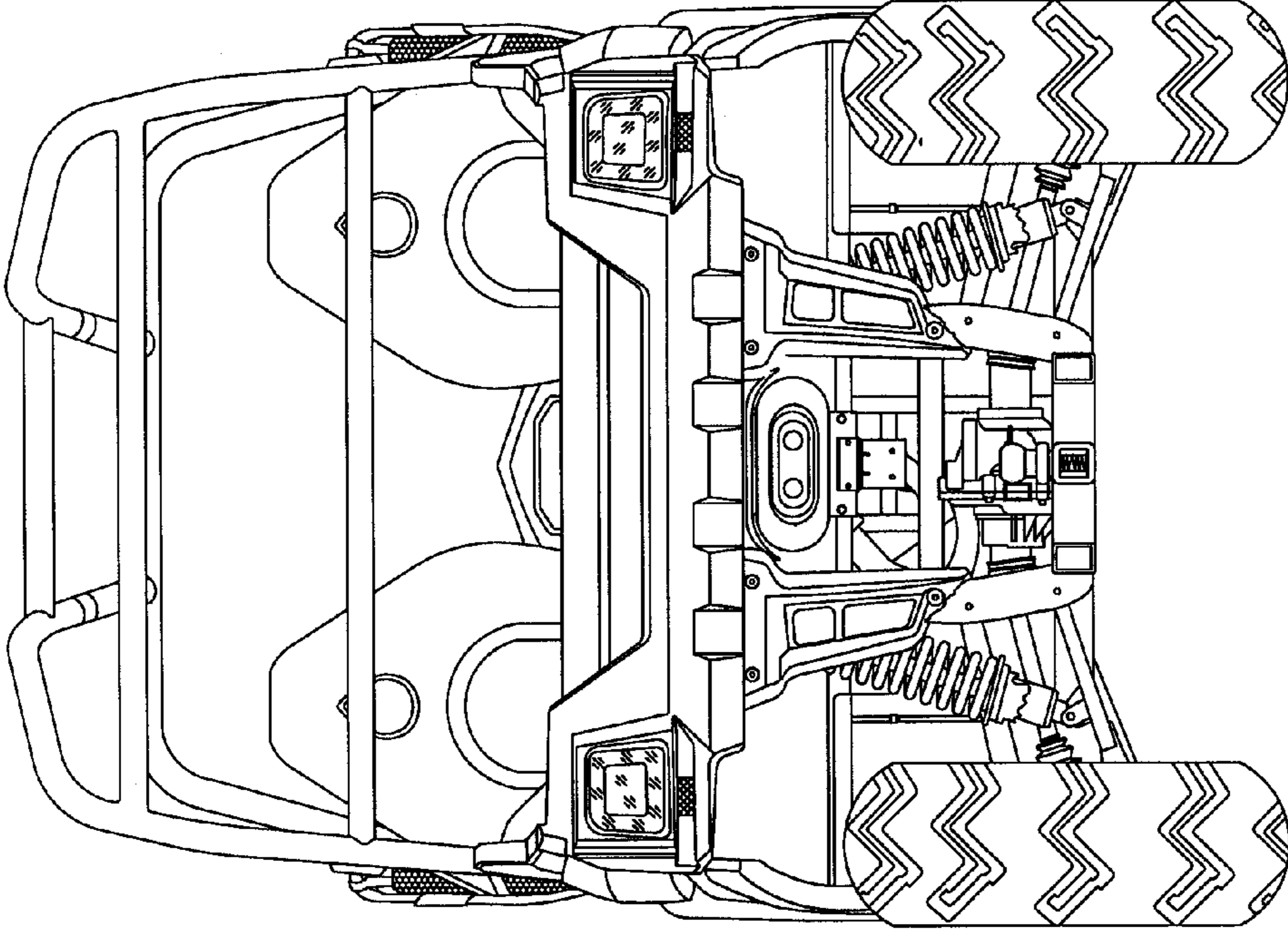


FIG. 7