



US00D625661S

(12) **United States Design Patent**  
**Vermesi et al.**

(10) **Patent No.:** **US D625,661 S**

(45) **Date of Patent:** **\*\* Oct. 19, 2010**

(54) **TRAINLINE SUPPORT CASTING**

D553,957 S \* 10/2007 Brassard ..... D8/363

(75) Inventors: **George Vermesi**, Somerset, NJ (US);  
**Michael Foxx**, Hillsborough, NJ (US)

\* cited by examiner

(73) Assignee: **Strato, Inc.**, Piscataway, NJ (US)

*Primary Examiner*—T. Chase Nelson

*Assistant Examiner*—Ania K Dworzecka

(\*\*) Term: **14 Years**

(74) *Attorney, Agent, or Firm*—Fitzpatrick, Cella, Harper & Scinto

(21) Appl. No.: **29/299,410**

(57) **CLAIM**

(22) Filed: **Dec. 26, 2007**

The ornamental design for a trainline support casting, as shown and described.

(51) **LOC (9) Cl.** ..... **12-03**

(52) **U.S. Cl.** ..... **D12/48**

(58) **Field of Classification Search** ..... D12/42,  
D12/43, 45, 47, 48, 49, 51; D8/363; 213/67 A,  
213/67 R, 64, 713, 75 R

See application file for complete search history.

**DESCRIPTION**

FIG. 1 is a perspective view of our trainline support casting design;

FIG. 2 is a side elevation view thereof, which is a mirror image of the opposite side elevation view;

FIG. 3 is a top plan view thereof;

FIG. 4 is a bottom plan view thereof;

FIG. 5 is a front elevation view thereof; and,

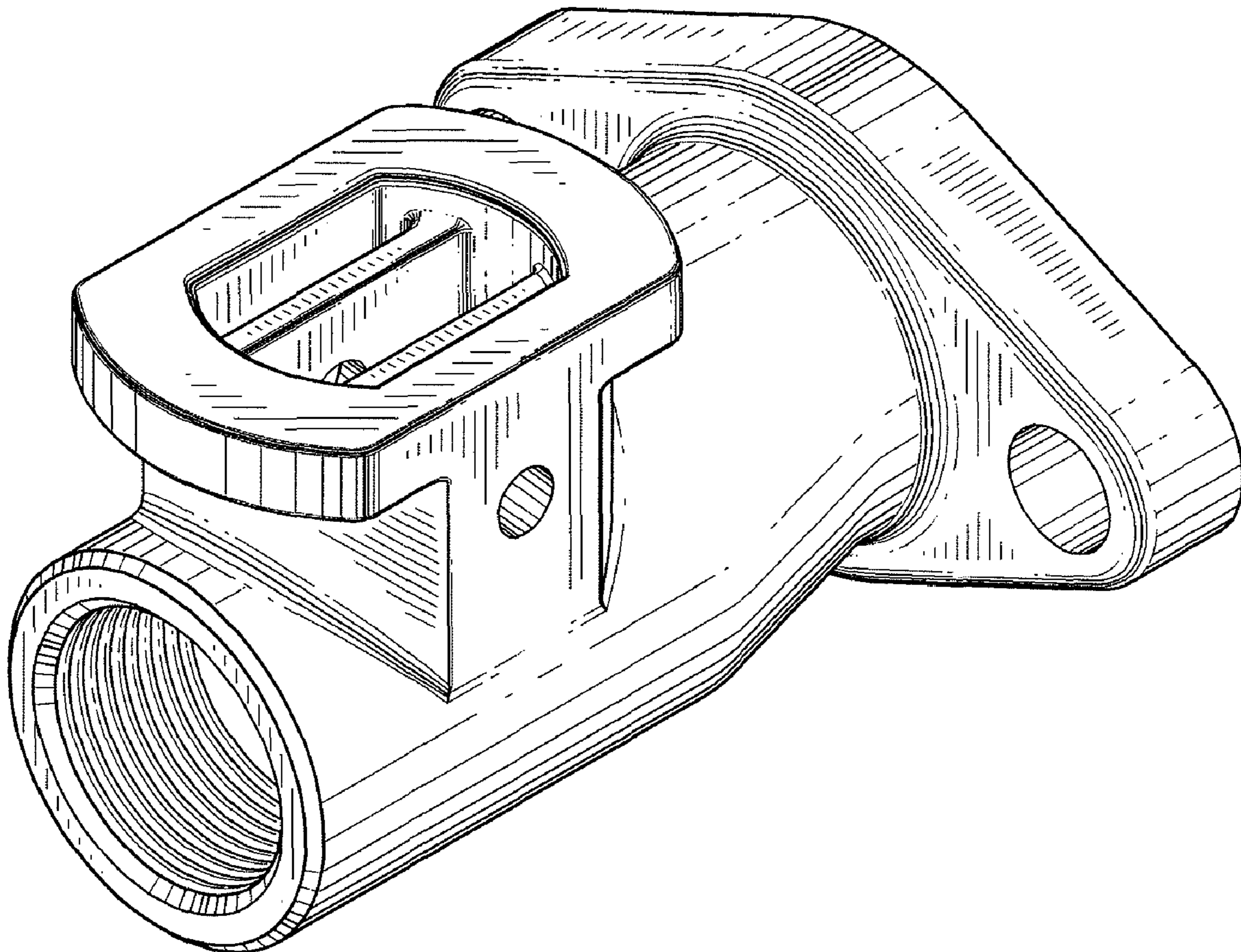
FIG. 6 is a rear elevation view thereof.

(56) **References Cited**

**U.S. PATENT DOCUMENTS**

D358,544 S *	5/1995	Esworthy	.....	D8/349
6,581,791 B2 *	6/2003	Flint et al.	.....	213/1.3
6,745,910 B2 *	6/2004	Flint et al.	.....	213/1.3
7,267,306 B2 *	9/2007	Eason et al.	.....	248/53

**1 Claim, 3 Drawing Sheets**



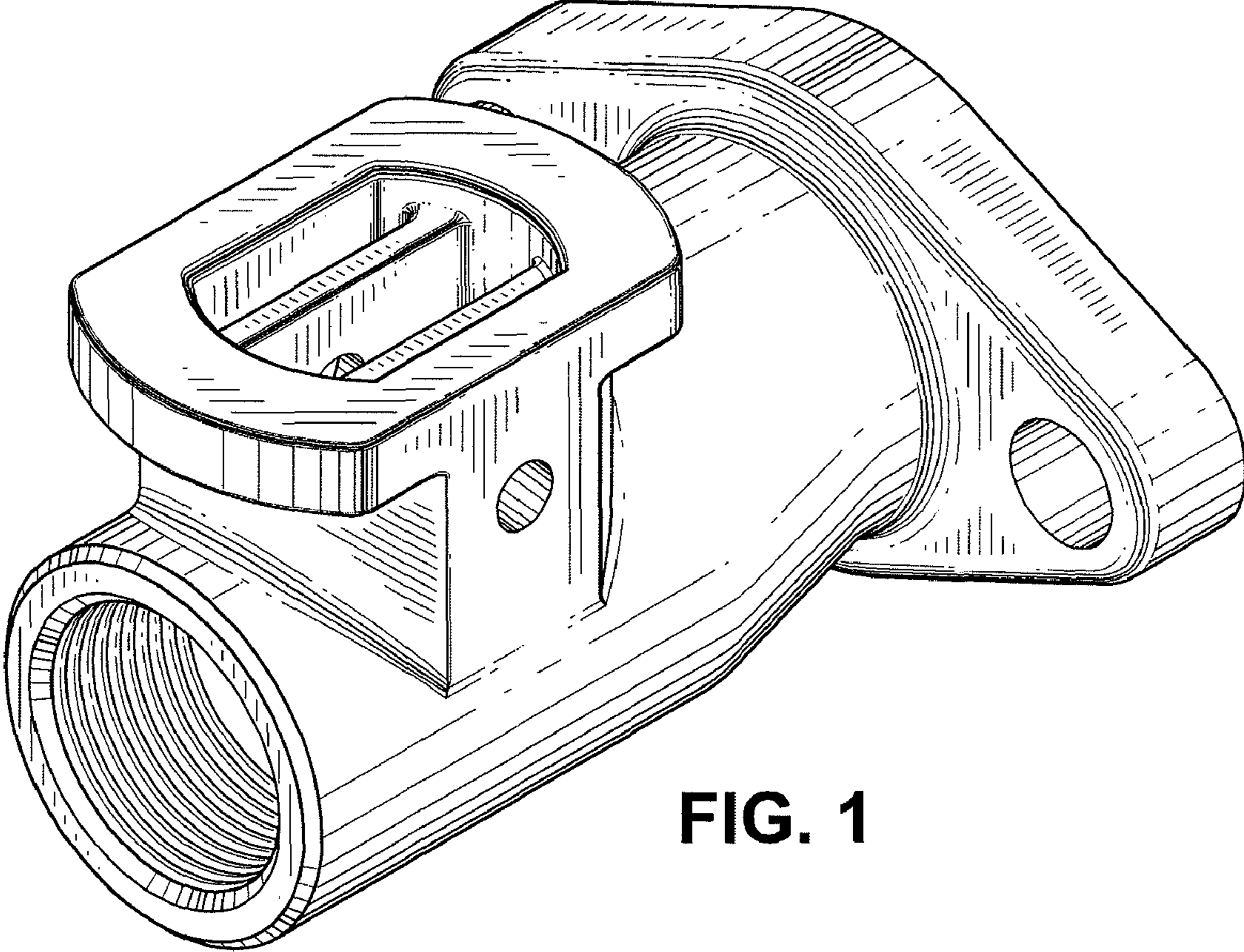


FIG. 1

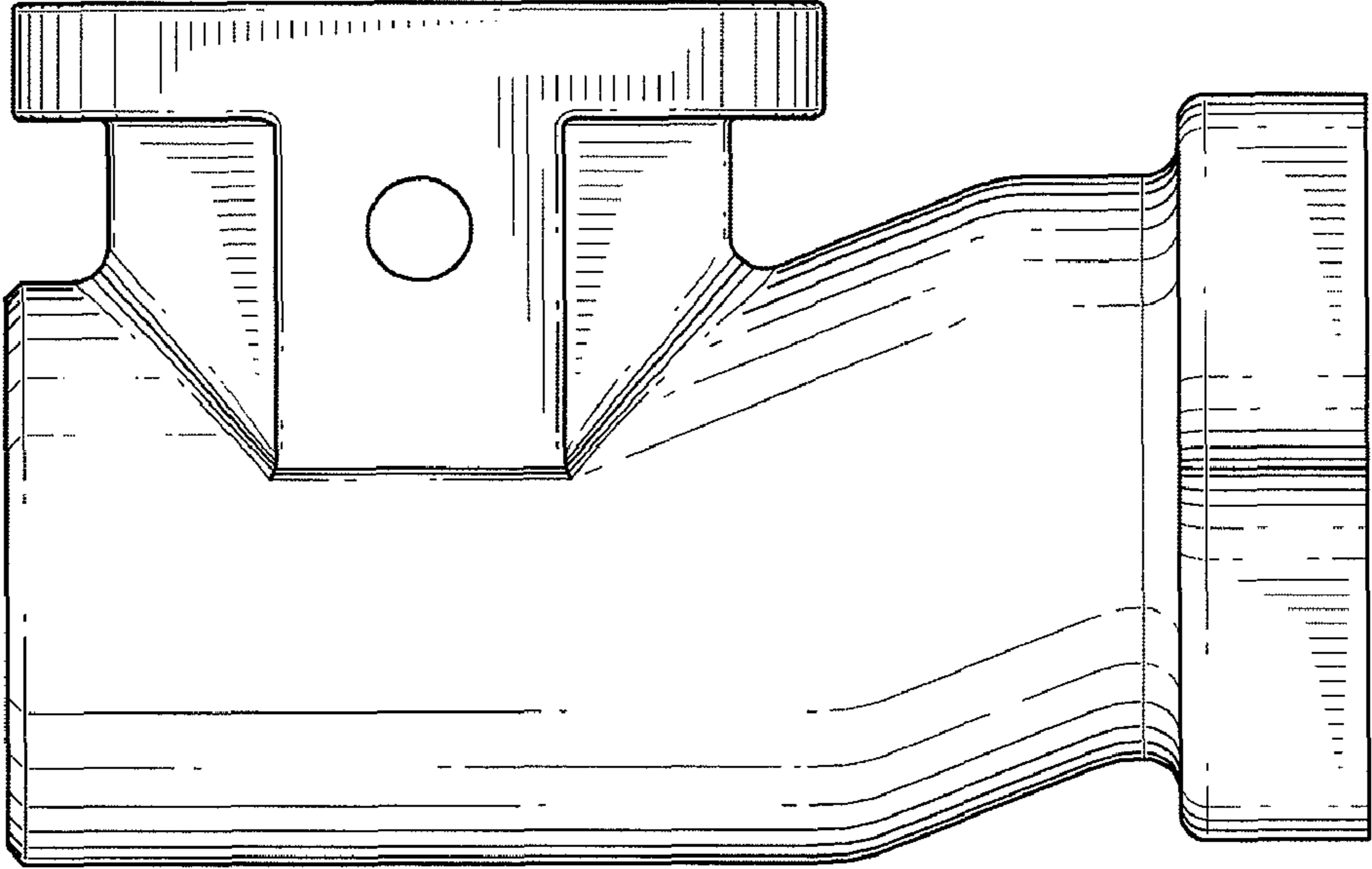
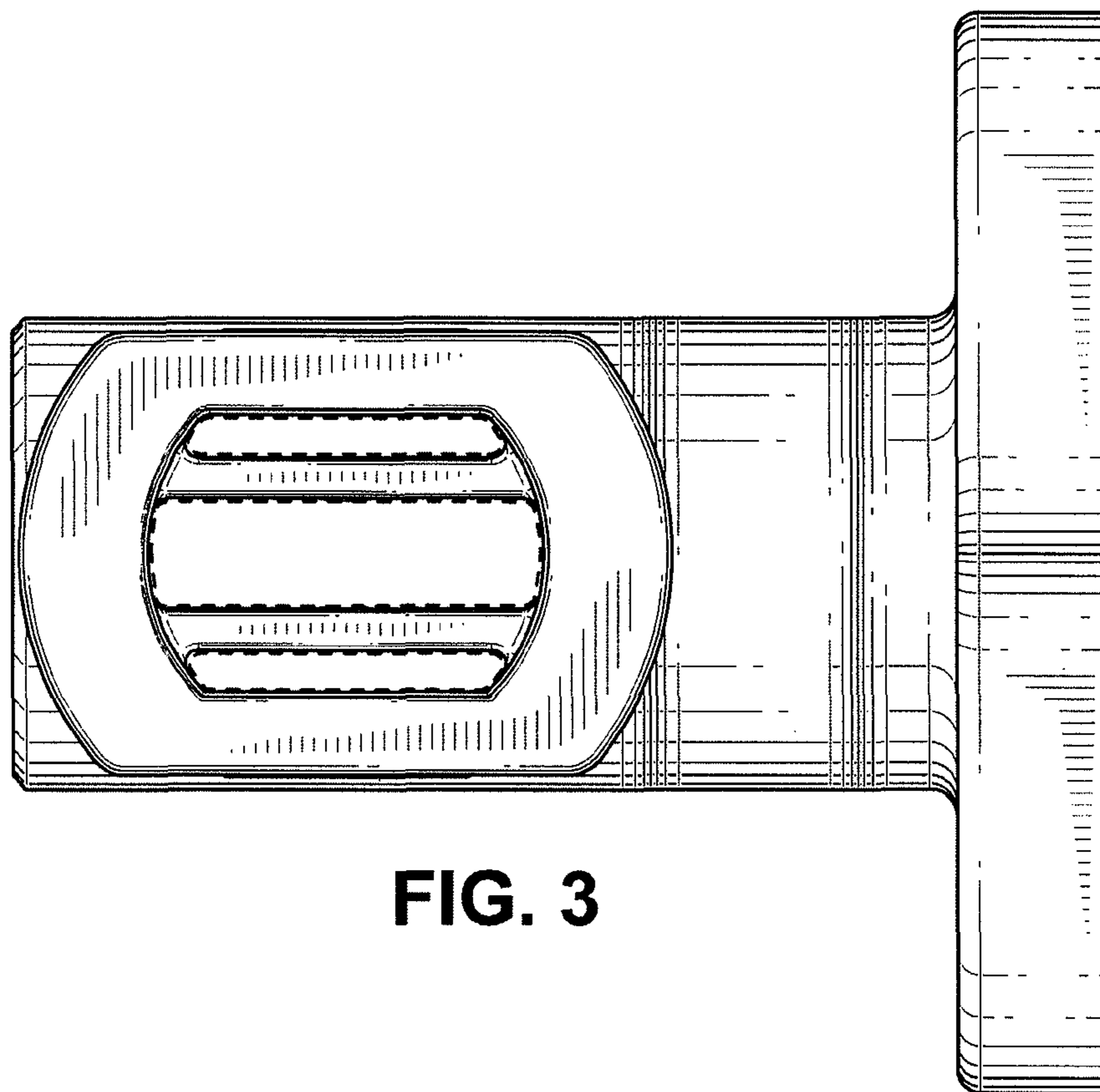
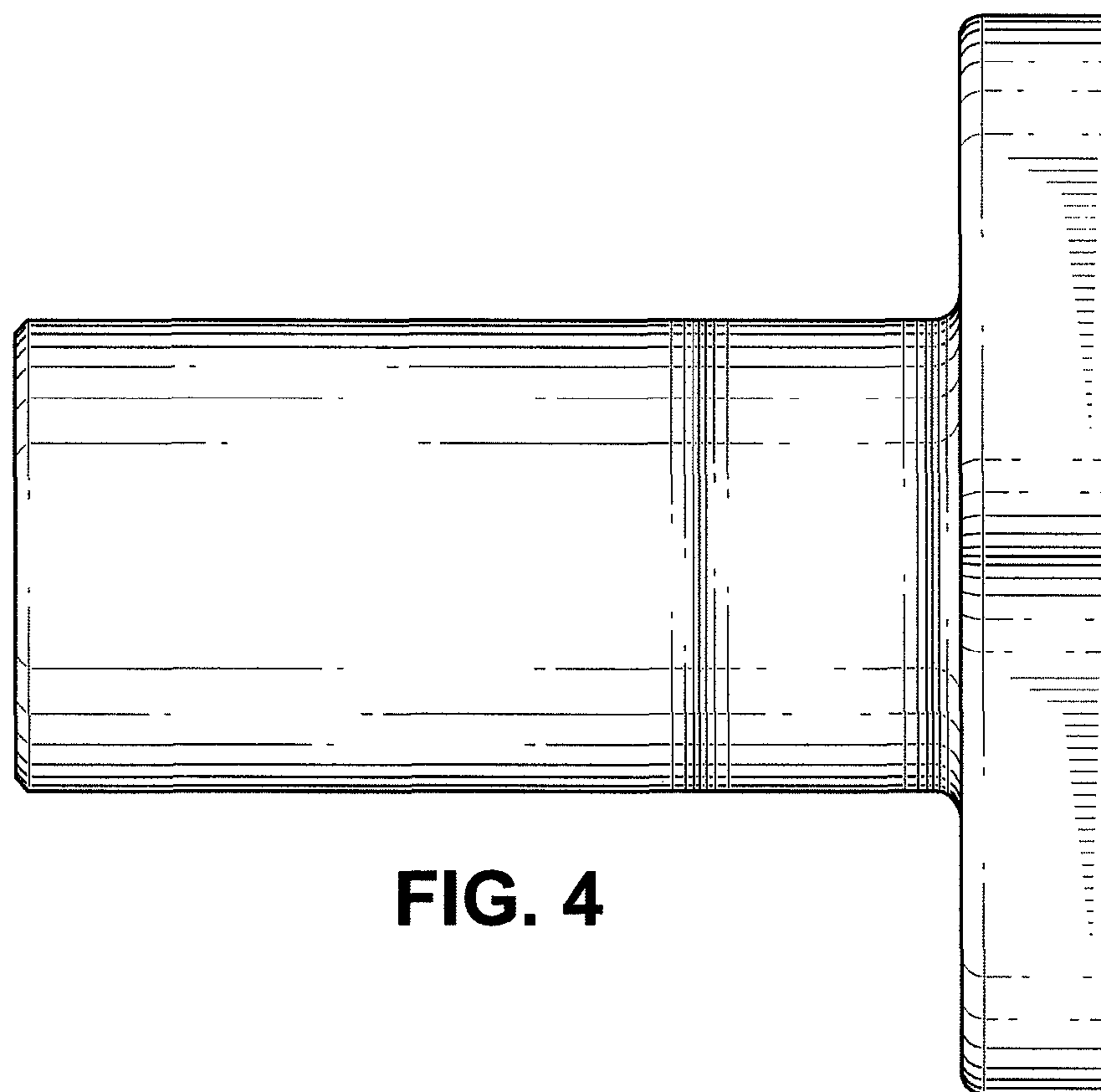


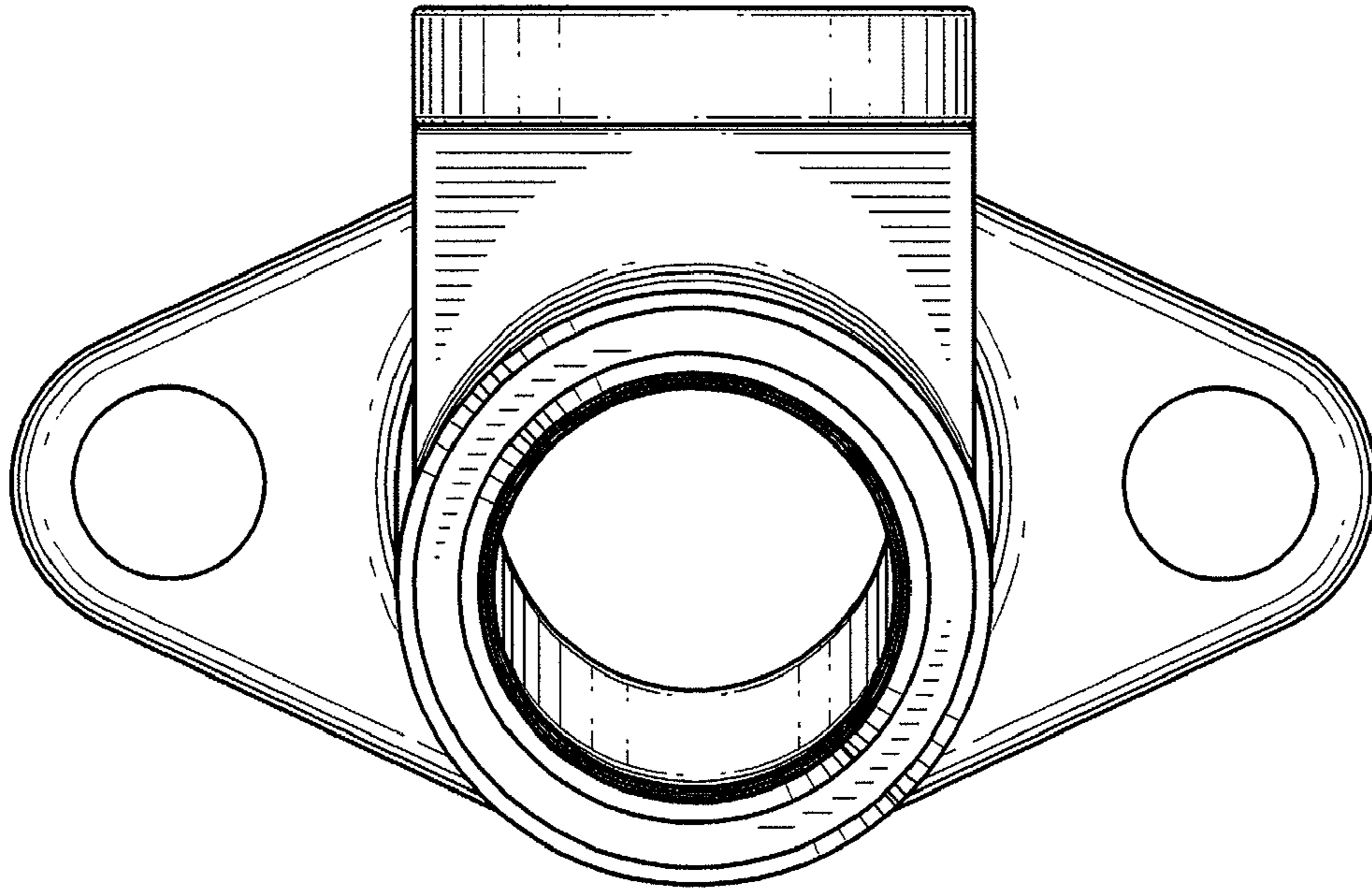
FIG. 2



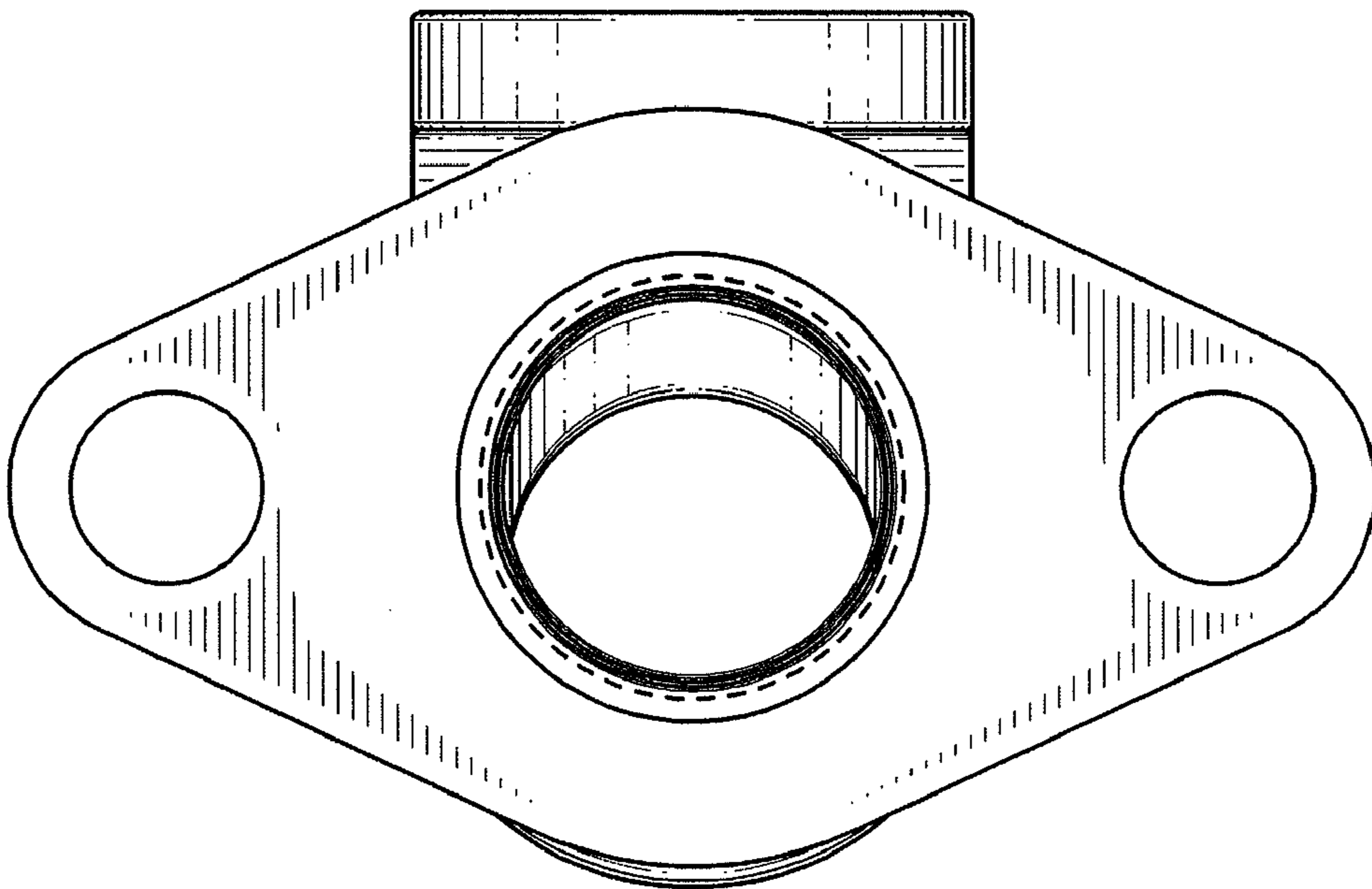
**FIG. 3**



**FIG. 4**



**FIG. 5**



**FIG. 6**