



US00D625657S

(12) **United States Design Patent**  
**Kimoto**

(10) **Patent No.:** **US D625,657 S**  
(45) **Date of Patent:** **\*\* Oct. 19, 2010**

(54) **BUTTONS**

(75) Inventor: **Takashi Kimoto**, Milan (IT)

(73) Assignee: **YKK Corporation** (JP)

(\*\*) Term: **14 Years**

(21) Appl. No.: **29/348,555**

(22) Filed: **Jan. 19, 2010**

(30) **Foreign Application Priority Data**

Jul. 21, 2009 (EP) ..... 001153985-0011

(51) **LOC (9) Cl.** ..... **02-07**

(52) **U.S. Cl.** ..... **D11/222**

(58) **Field of Classification Search** ..... D11/200-231;  
D8/380, 382-383, 356; 24/623, 697.2, 688-690,  
24/662, 381, 385, 713.8; 63/20  
See application file for complete search history.

(56) **References Cited**

**U.S. PATENT DOCUMENTS**

D303,234 S \* 9/1989 Smith ..... D11/226  
D313,116 S \* 12/1990 Whitney ..... D11/222  
D337,255 S \* 7/1993 Novelli, Sr. .... D8/356  
D357,576 S \* 4/1995 Steinweis ..... D11/227  
D377,919 S \* 2/1997 Singer et al. .... D11/226  
D380,418 S \* 7/1997 Michael ..... D11/222  
D397,960 S \* 9/1998 Brown ..... D11/222

D449,564 S \* 10/2001 Platt ..... D11/222  
D584,186 S \* 1/2009 Levin ..... D11/226

**FOREIGN PATENT DOCUMENTS**

JP 1228196 1/2005  
JP 1228197 1/2005

\* cited by examiner

*Primary Examiner*—T. Chase Nelson

*Assistant Examiner*—Mark Cavanna

(74) *Attorney, Agent, or Firm*—Kilpatrick Stockton LLP

(57) **CLAIM**

The ornamental design for buttons, as shown and described.

**DESCRIPTION**

FIG. 1 is a perspective view of the front, bottom and left side of buttons showing my new design;

FIG. 2 is a front view thereof;

FIG. 3 is a rear view thereof;

FIG. 4 is a right side view thereof;

FIG. 5 is a left side view thereof;

FIG. 6 is a top plan view thereof; and,

FIG. 7 is a bottom view thereof.

The portions of the article in broken lines are shown for illustrative purposes only and form no part of the claimed design.

**1 Claim, 5 Drawing Sheets**

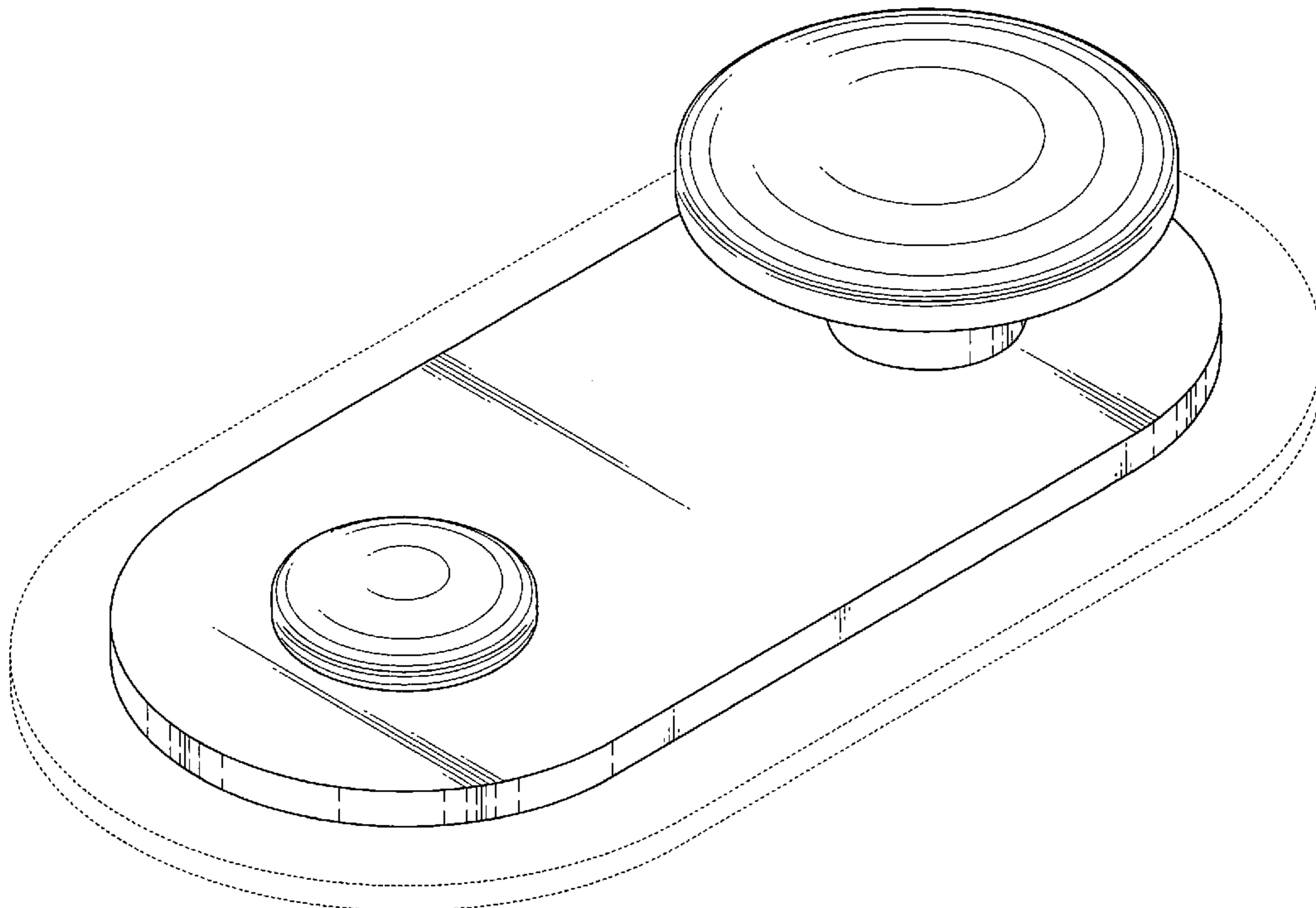


FIG.1

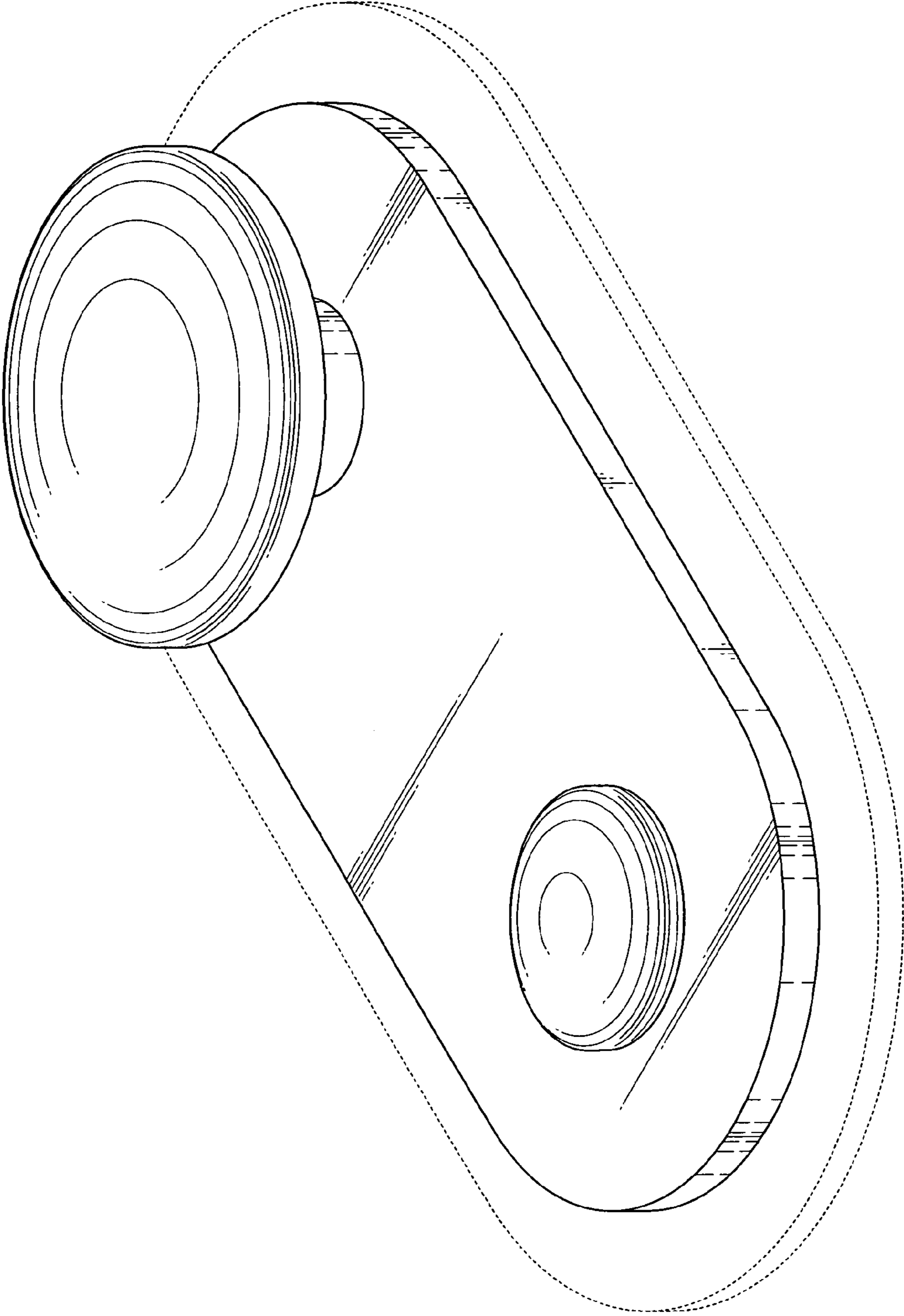


FIG.2

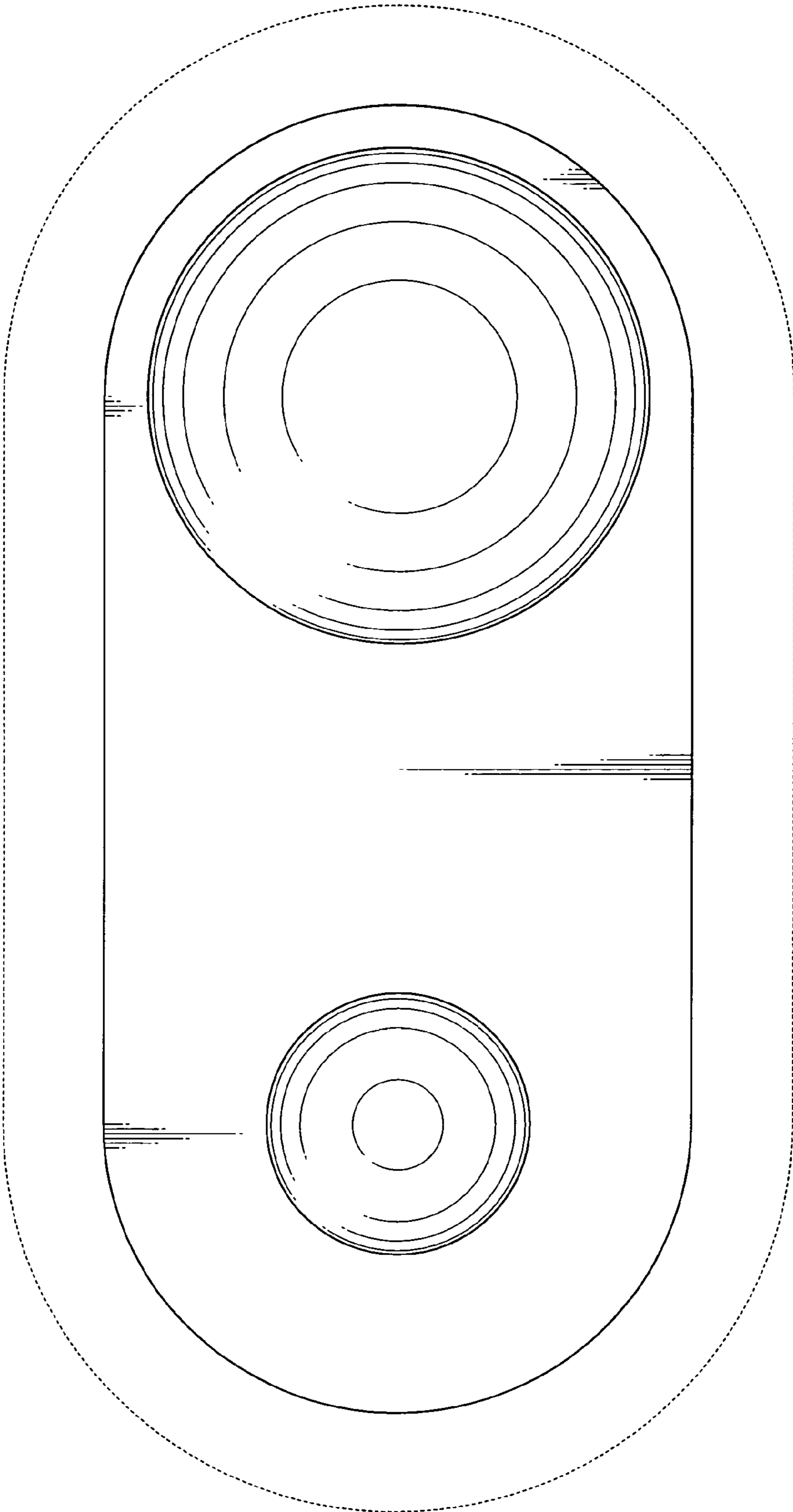


FIG.3

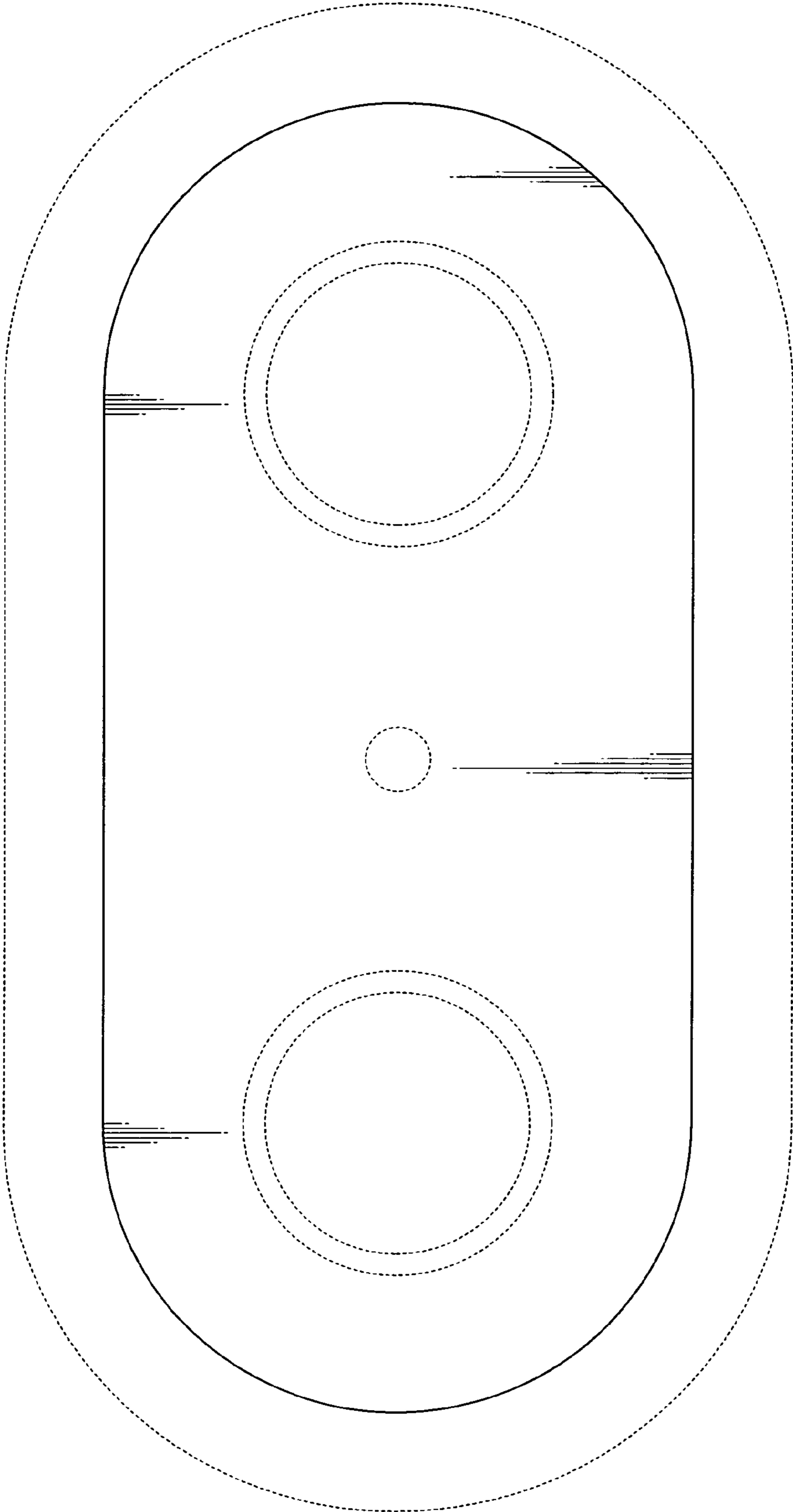


FIG.5

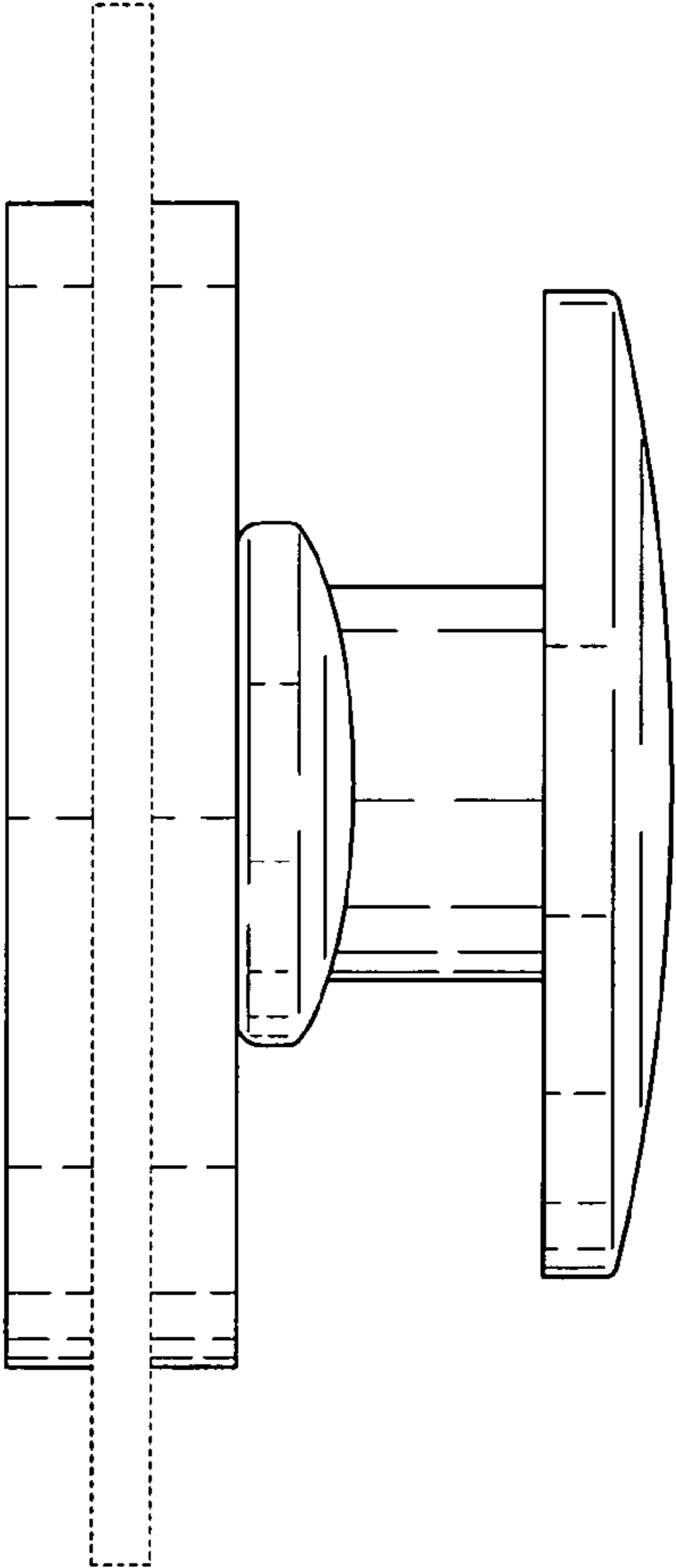


FIG.4

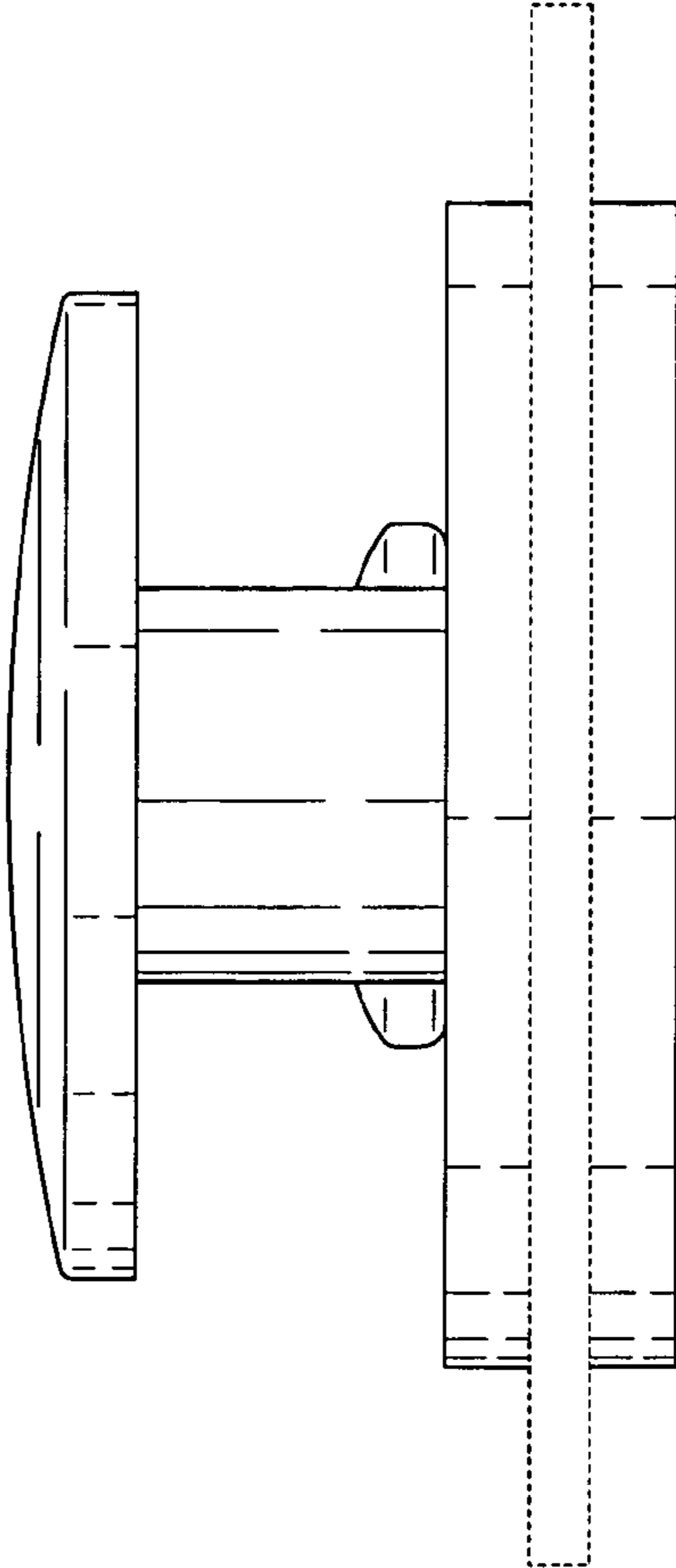


FIG.6

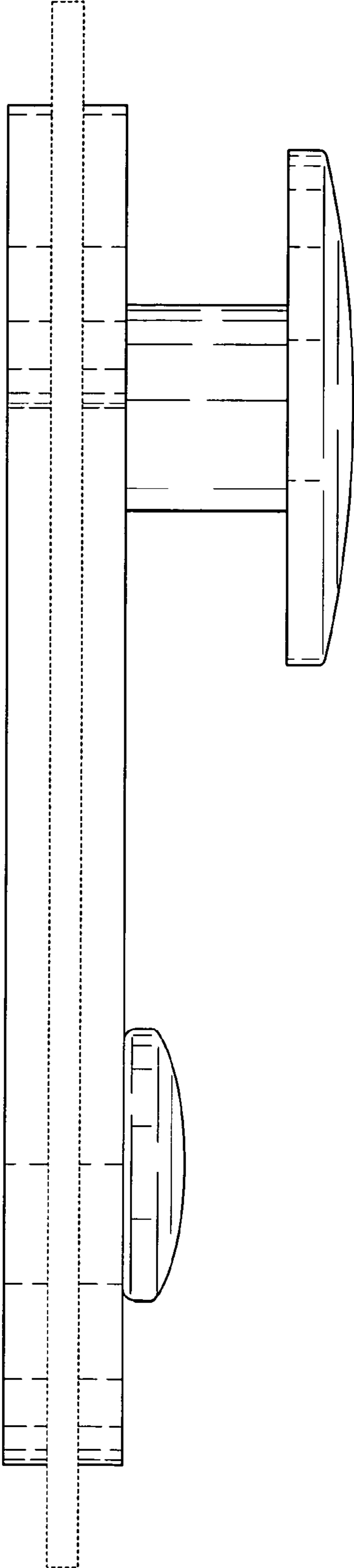


FIG.7

