

US00D625656S

(12) **United States Design Patent**
Kosh et al.

(10) **Patent No.:** **US D625,656 S**
(45) **Date of Patent:** **** Oct. 19, 2010**

(54) **BUCKLE**

(75) Inventors: **Matthew Kosh**, Seattle, WA (US); **John N. Tilden**, Seattle, WA (US)

(73) Assignee: **Bodypoint, Inc.**, Seattle, WA (US)

(**) Term: **14 Years**

(21) Appl. No.: **29/352,112**

(22) Filed: **Dec. 16, 2009**

(51) **LOC (9) Cl.** **02-07**

(52) **U.S. Cl.** **D11/216**

(58) **Field of Classification Search** D11/1-2,
D11/200-201, 206-210, 214-218; 24/163 R,
24/169-171, 173, 177-179, 191, 194-195,
24/197, 200

See application file for complete search history.

(56) **References Cited**

U.S. PATENT DOCUMENTS

| | | | | |
|--------------|---------|---------------|-------|---------|
| D209,657 S * | 12/1967 | Barcus | | D11/216 |
| D302,140 S * | 7/1989 | Johnston | | D11/216 |
| D359,709 S * | 6/1995 | Miller | | D11/216 |
| D508,872 S * | 8/2005 | Hoepfner | | D11/216 |
| D600,160 S * | 9/2009 | Kosh et al. | | D11/218 |
| D600,591 S * | 9/2009 | Kosh et al. | | D11/216 |
| D603,753 S * | 11/2009 | Palmer et al. | | D11/216 |

* cited by examiner

Primary Examiner—Ralf Seifert
(74) *Attorney, Agent, or Firm*—Townsend and Townsend and Crew LLP

(57) **CLAIM**

The ornamental design for buckle, as shown and described.

DESCRIPTION

FIG. 1 is a perspective view of a buckle showing our new design;

FIG. 2 is a rear elevational view thereof;

FIG. 3 is a front elevational view thereof;

FIG. 4 is a left side elevational view thereof;

FIG. 5 is a right side elevational view thereof;

FIG. 6 is a top plan view thereof;

FIG. 7 is a perspective view of an alternate embodiment of a buckle showing our new design;

FIG. 8 is a rear elevational view thereof;

FIG. 9 is a front elevational view thereof;

FIG. 10 is a left side elevational view thereof, the right side elevational view being a mirror image thereof; and,

FIG. 11 is a top plan view thereof.

The broken line showing is for illustrative purposes only and forms no part of the claimed design.

1 Claim, 3 Drawing Sheets

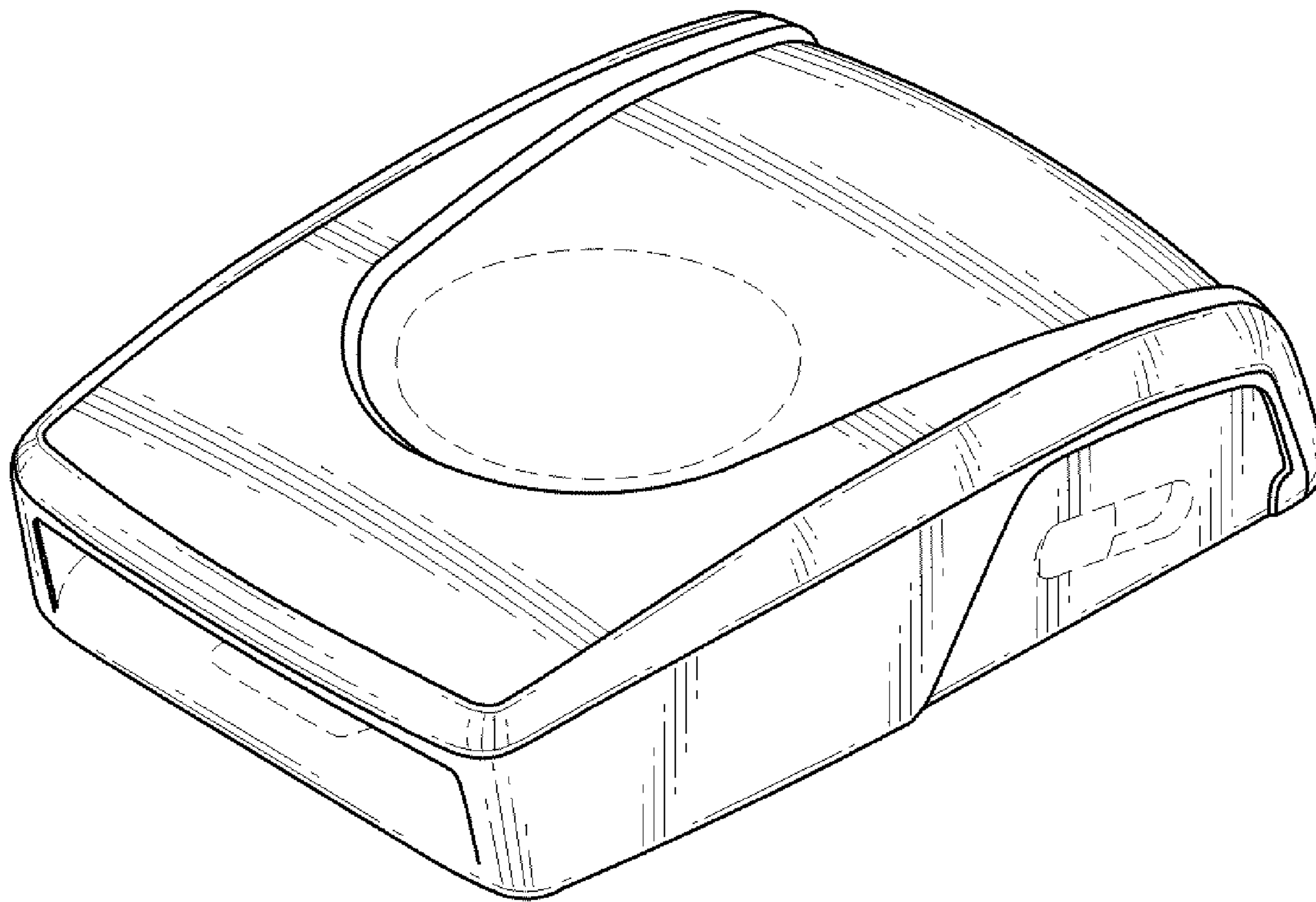


FIG. 1

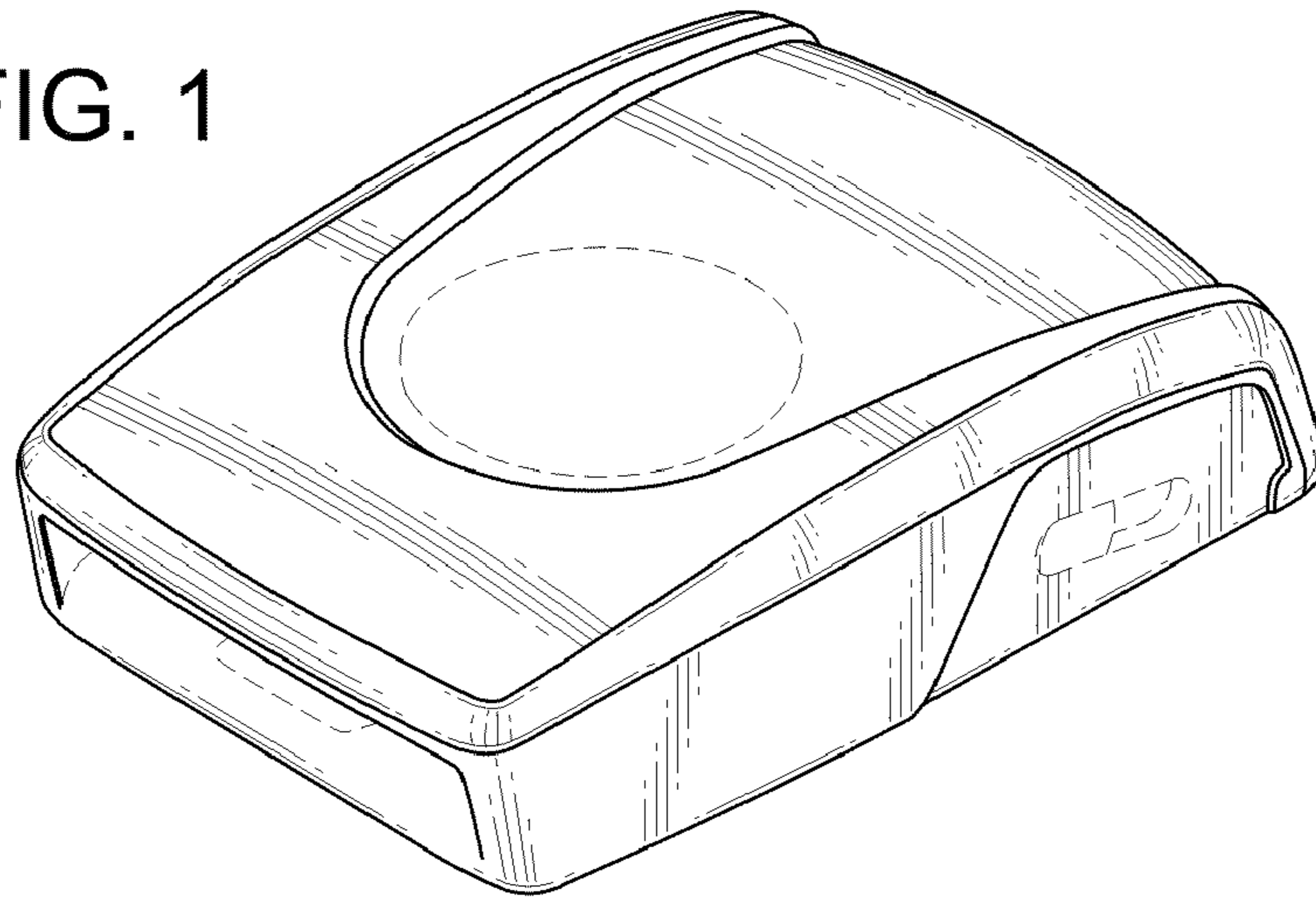


FIG. 2

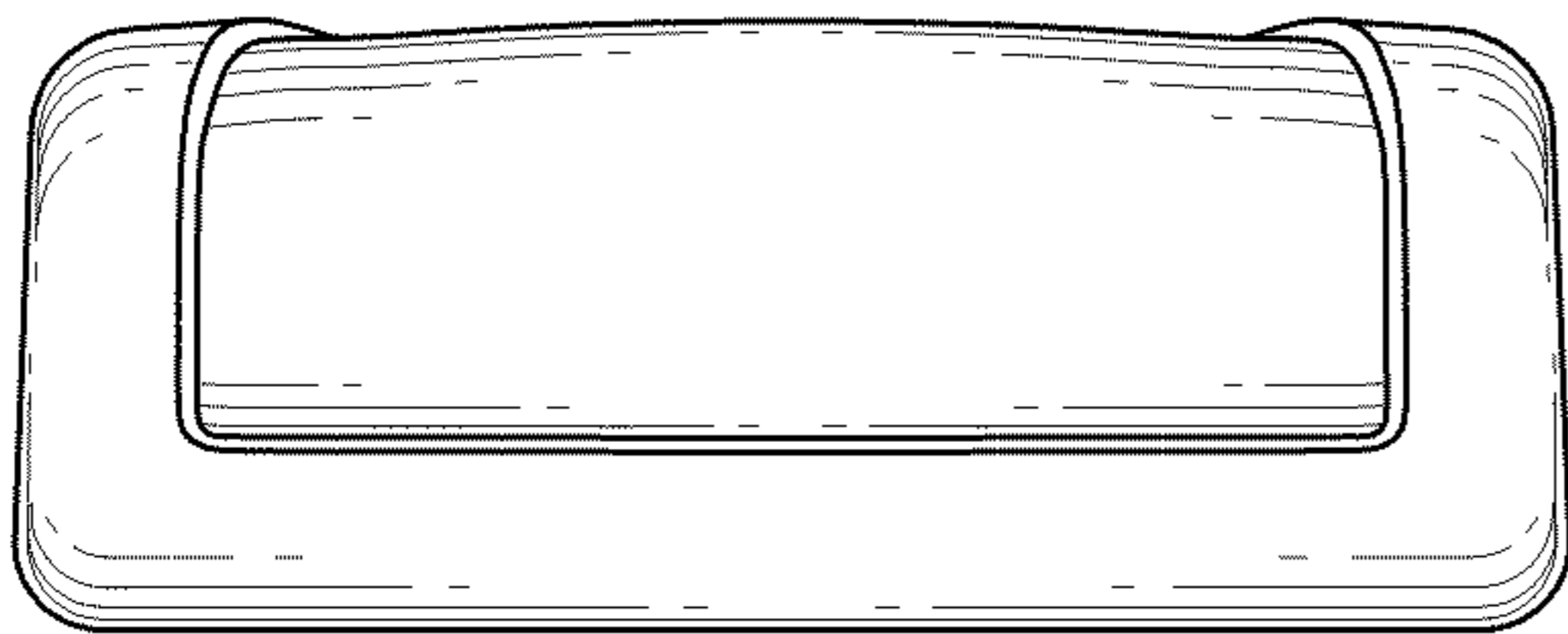


FIG. 3

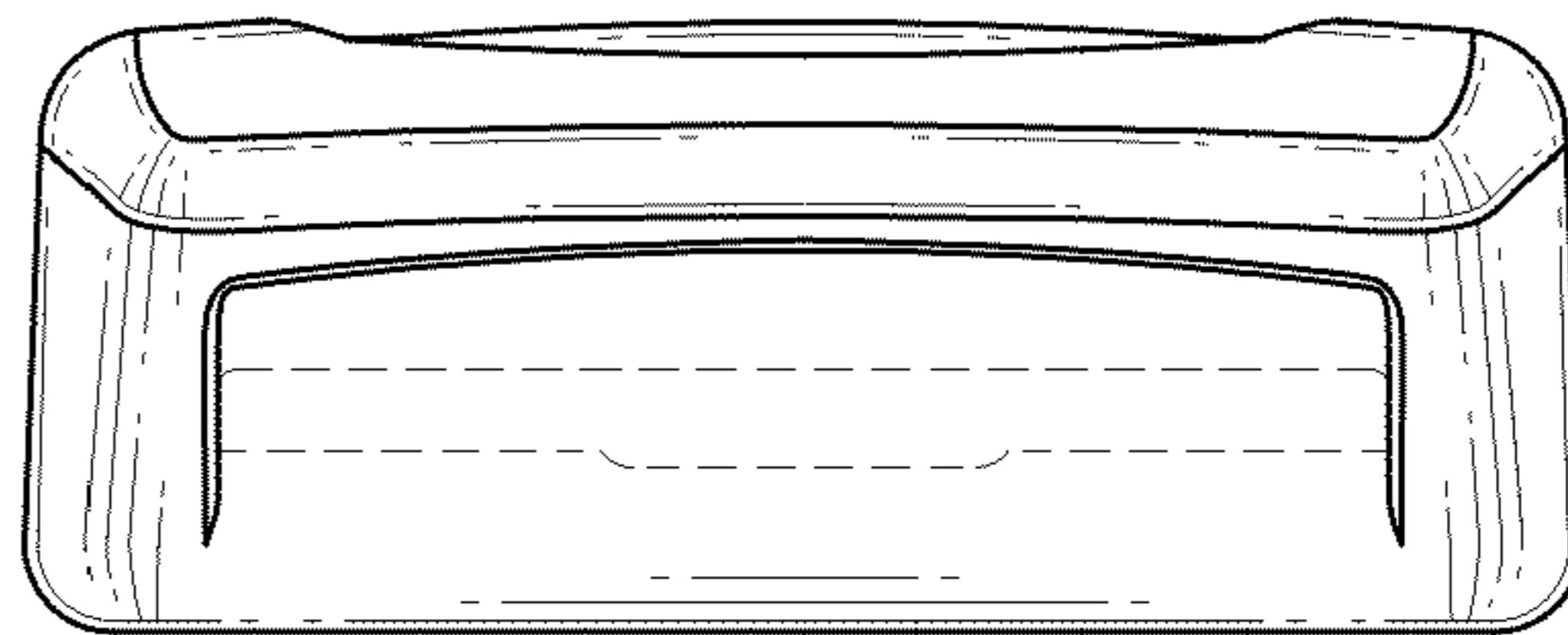


FIG. 4

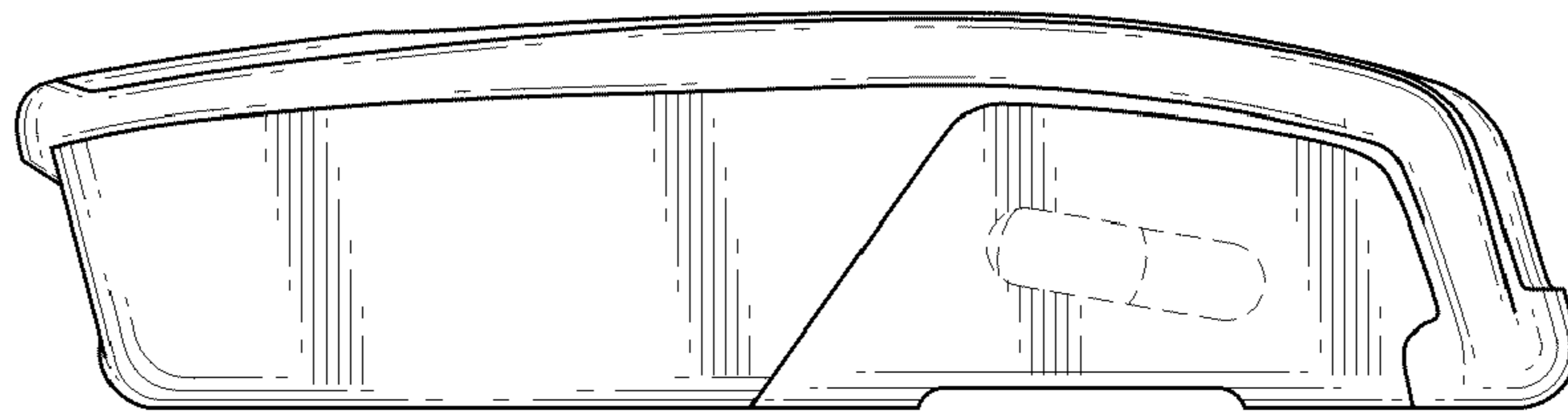


FIG. 5

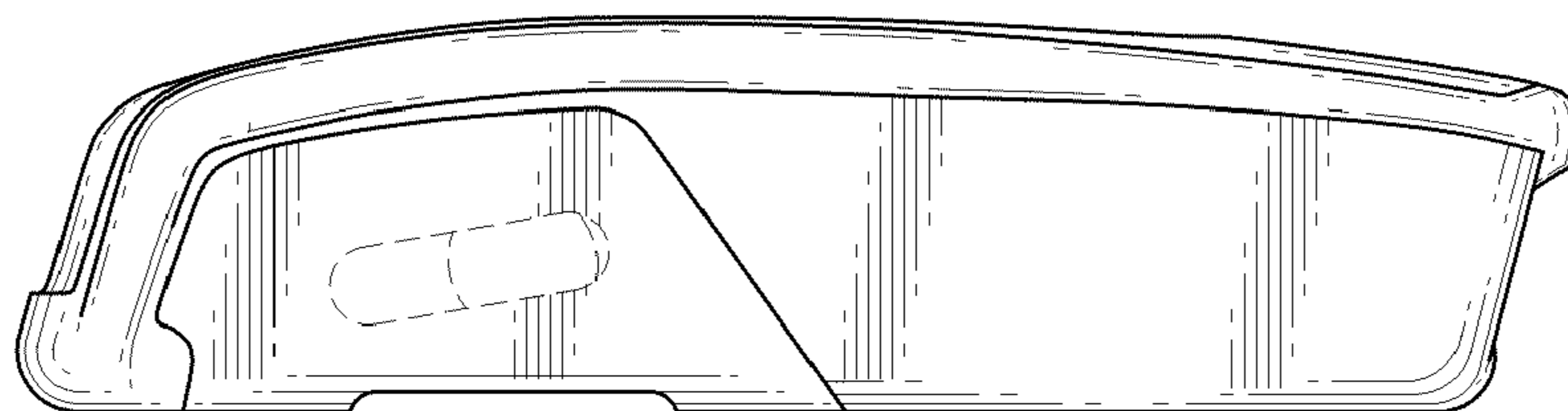


FIG. 6

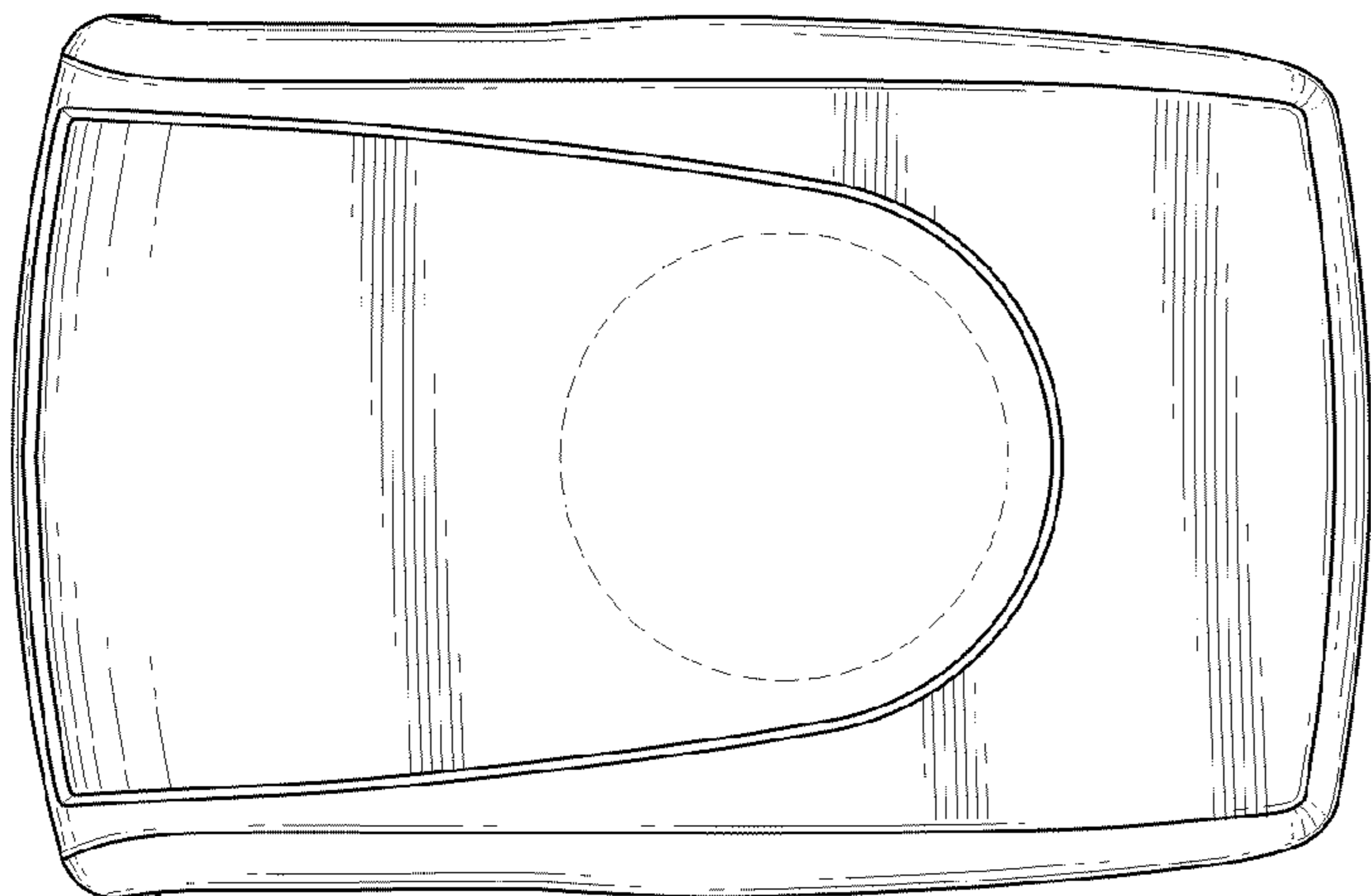


FIG. 7

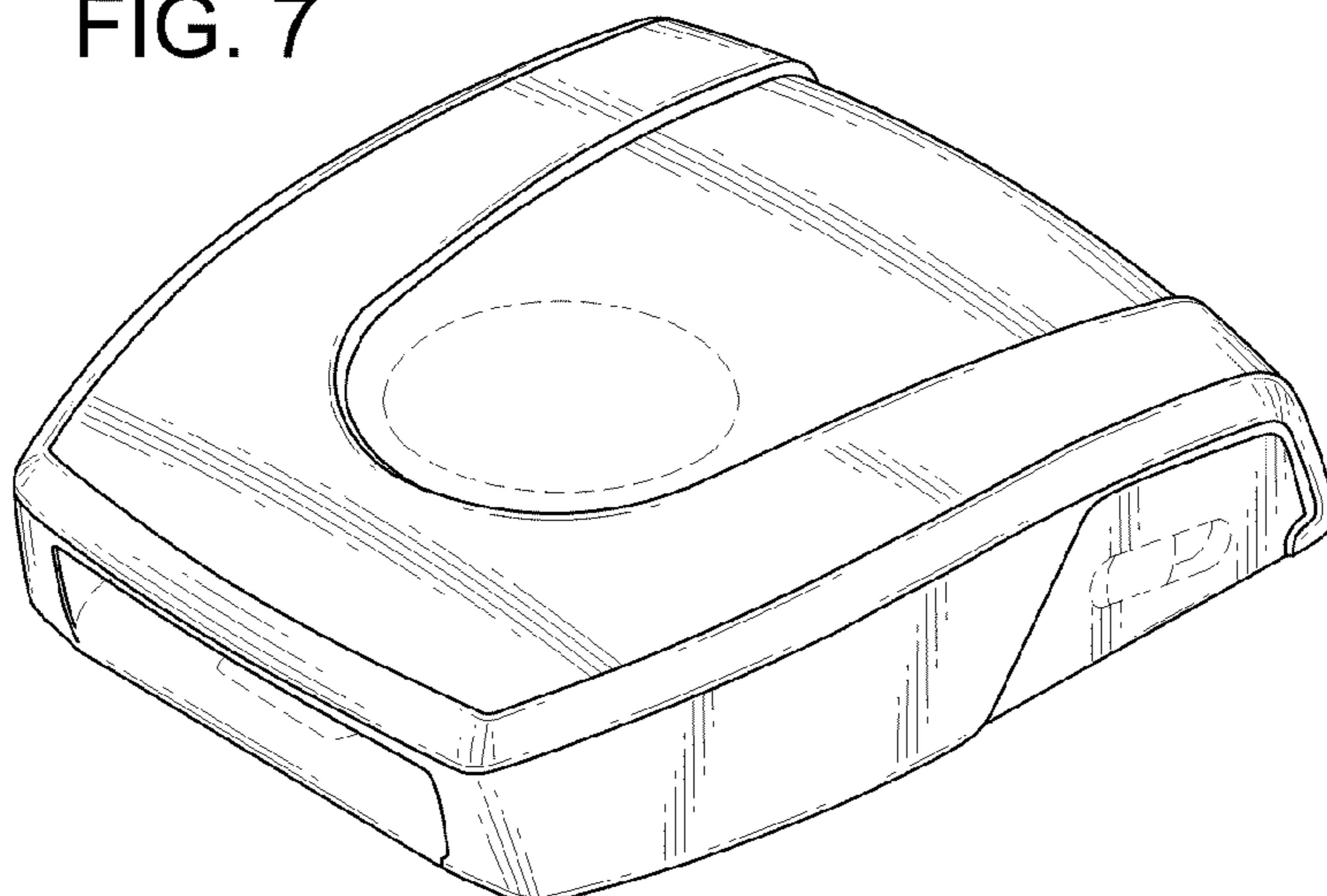


FIG. 8

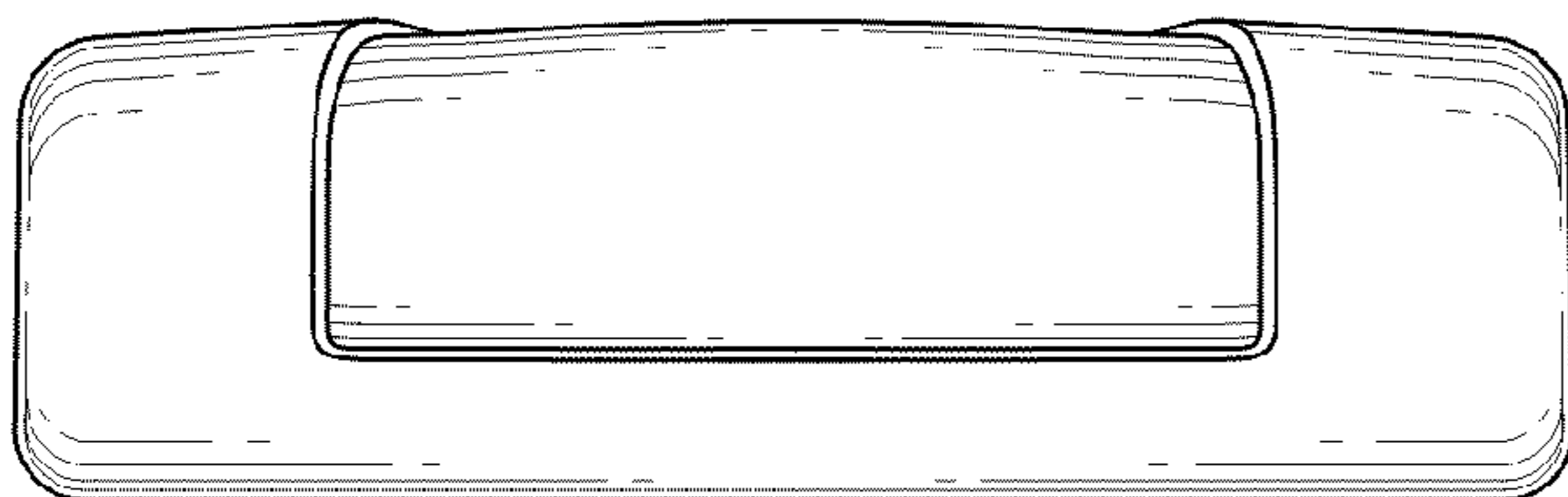


FIG. 9

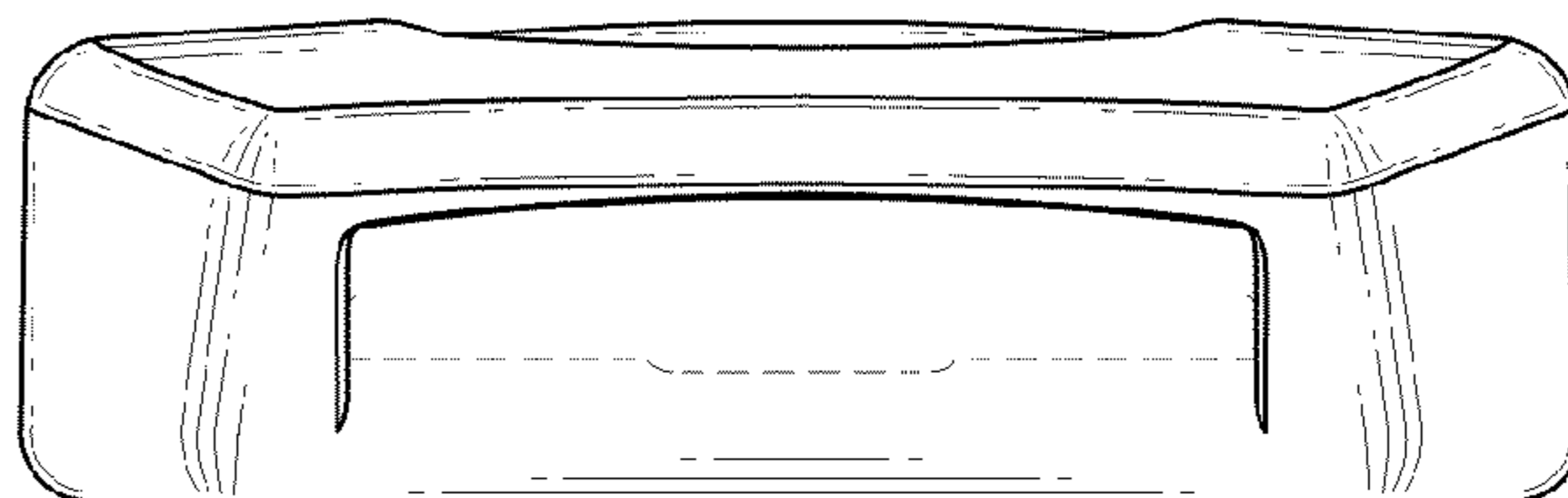


FIG. 10

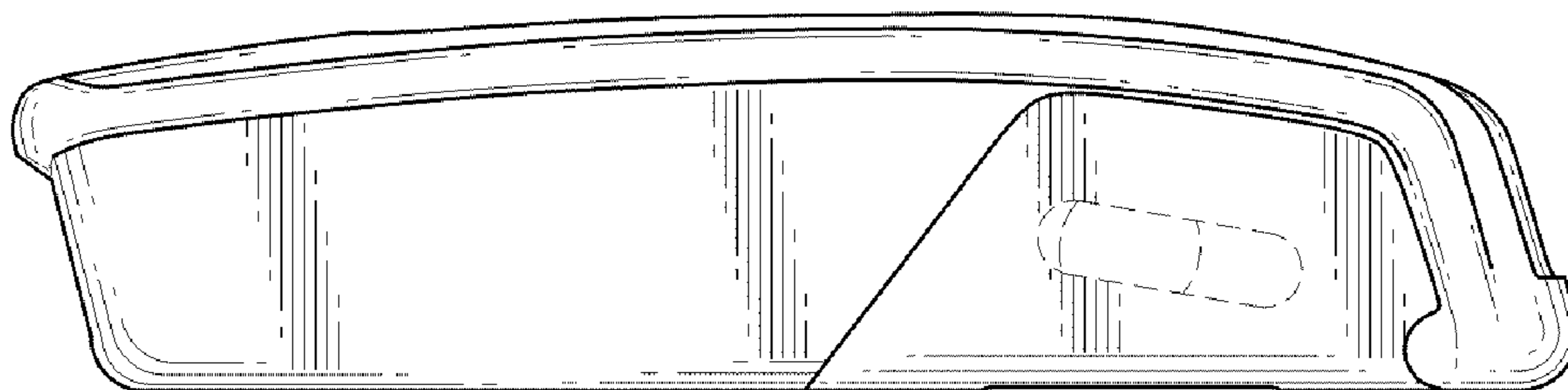


FIG. 11

