



US00D625655S

(12) **United States Design Patent**  
**Kosh et al.**

(10) **Patent No.:** **US D625,655 S**  
(45) **Date of Patent:** **\*\* Oct. 19, 2010**

(54) **BUCKLE LATCH ASSEMBLY**

2007/0226961 A1\* 10/2007 Anderson et al. .... 24/170

(75) Inventors: **Matthew Kosh**, Seattle, WA (US); **John Tilden**, Seattle, WA (US)

\* cited by examiner

*Primary Examiner*—T. Chase Nelson

(73) Assignee: **Bodypoint, Inc.**, Seattle, WA (US)

(74) *Attorney, Agent, or Firm*—Townsend and Townsend and Crew LLP

(\*\*) Term: **14 Years**

(57) **CLAIM**

(21) Appl. No.: **29/323,182**

The ornamental design for buckle latch assembly, as shown and described.

(22) Filed: **Aug. 20, 2008**

(51) **LOC (9) Cl.** ..... **02-07**

(52) **U.S. Cl.** ..... **D11/216**

(58) **Field of Classification Search** ..... D11/1-2,  
D11/200-201, 206, 210, 214-218; 24/163 R,  
24/169-171, 173, 177-179, 181, 194-195,  
24/197, 200

**DESCRIPTION**

See application file for complete search history.

FIG. 1 is a perspective view of a first embodiment of a buckle latch assembly showing our new design;

FIG. 2 is a front elevational view of the buckle latch assembly of FIG. 1

FIG. 3 is a rear elevational view thereof;

FIG. 4 is a right side elevational view thereof;

FIG. 5 is a left side elevational view thereof;

FIG. 6 is a top plan view thereof;

FIG. 7 is a bottom plan view thereof.

FIG. 8 is a perspective view of a second embodiment of a buckle latch assembly showing our new design;

FIG. 9 is a front elevational view of the buckle latch assembly of FIG. 8.

FIG. 10 is a rear elevational view thereof;

FIG. 11 is a right side elevational view thereof;

FIG. 12 is a left side elevational view thereof;

FIG. 13 is a top plan view thereof; and,

FIG. 14 is a bottom plan view thereof.

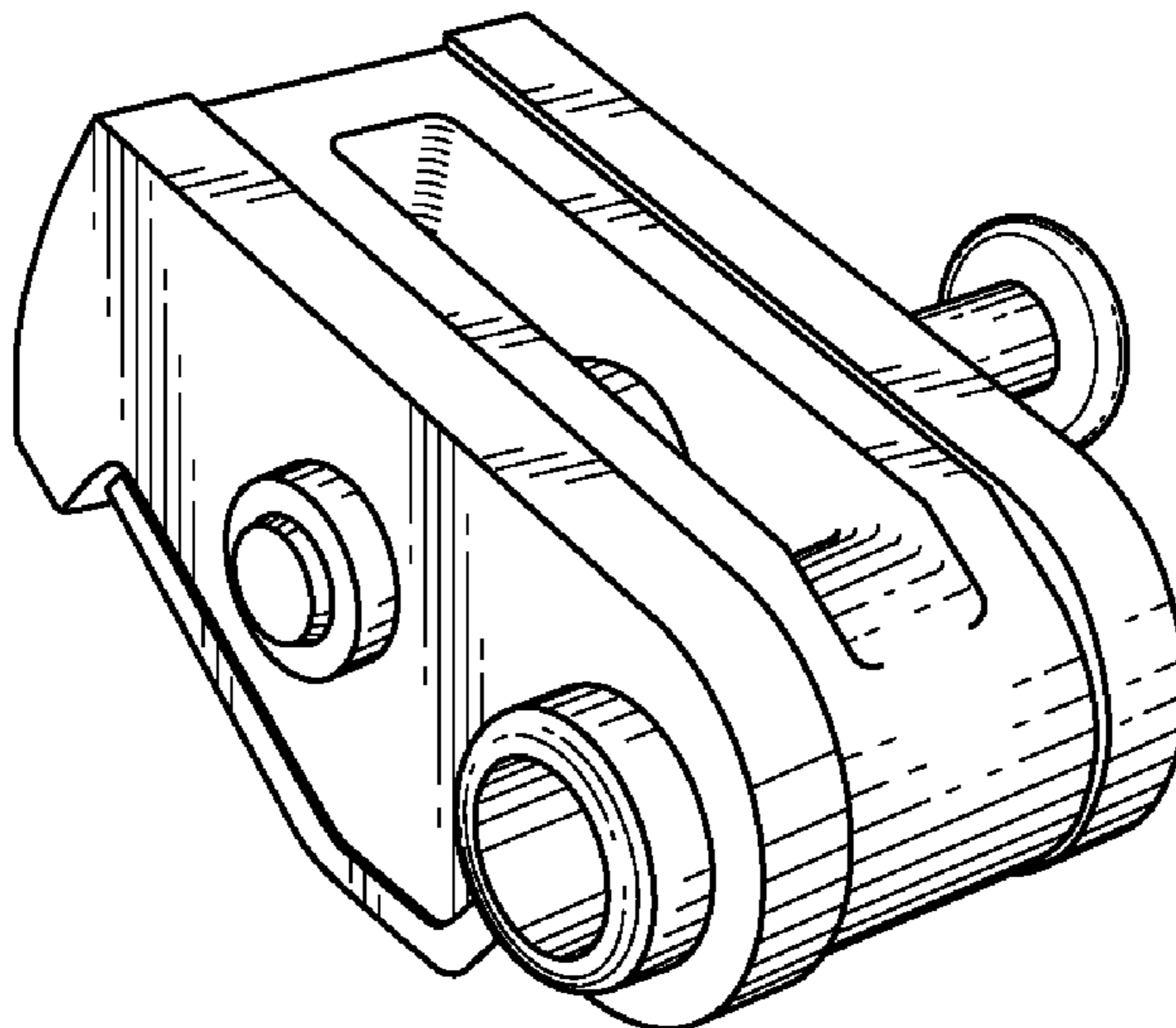
The broken line showing is for illustrative purposes only and forms no part of the claimed design.

(56) **References Cited**

**U.S. PATENT DOCUMENTS**

416,985	A	*	12/1889	Beattie	.....	24/170
D134,137	S	*	10/1942	Smith	.....	D11/218
3,084,411	A	*	4/1963	Lindblad	.....	D11/216
3,656,211	A	*	4/1972	Turner et al.	.....	24/194
3,872,550	A	*	3/1975	Yang	.....	24/170
4,167,144	A	*	9/1979	Martin et al.	.....	24/163 R
D283,369	S	*	4/1986	Martin	.....	D11/200
D327,455	S	*	6/1992	Blair	.....	D11/216
D393,606	S	*	4/1998	Lin	.....	D11/216
D483,691	S	*	12/2003	Uehara	.....	D11/216
D491,103	S	*	6/2004	Uehara et al.	.....	D11/218
D514,021	S	*	1/2006	Chang	.....	D11/216
D598,324	S	*	8/2009	Kosh et al.	.....	D11/216
D600,160	S	*	9/2009	Kosh et al.	.....	D11/218
D603,753	S	*	11/2009	Palmer et al.	.....	D11/216
2001/0054219	A1	*	12/2001	Settelmayer et al.	.....	24/170

**1 Claim, 4 Drawing Sheets**



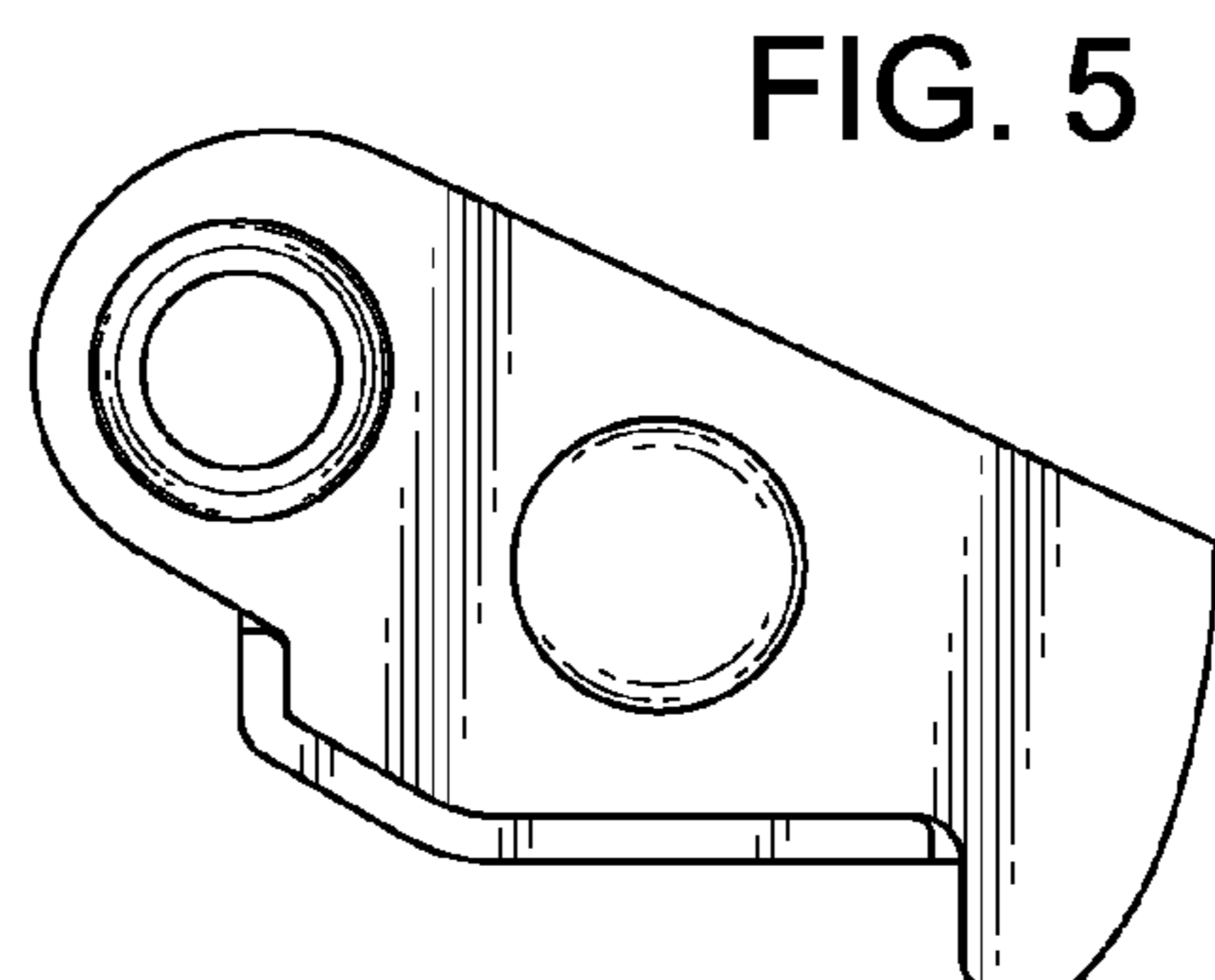
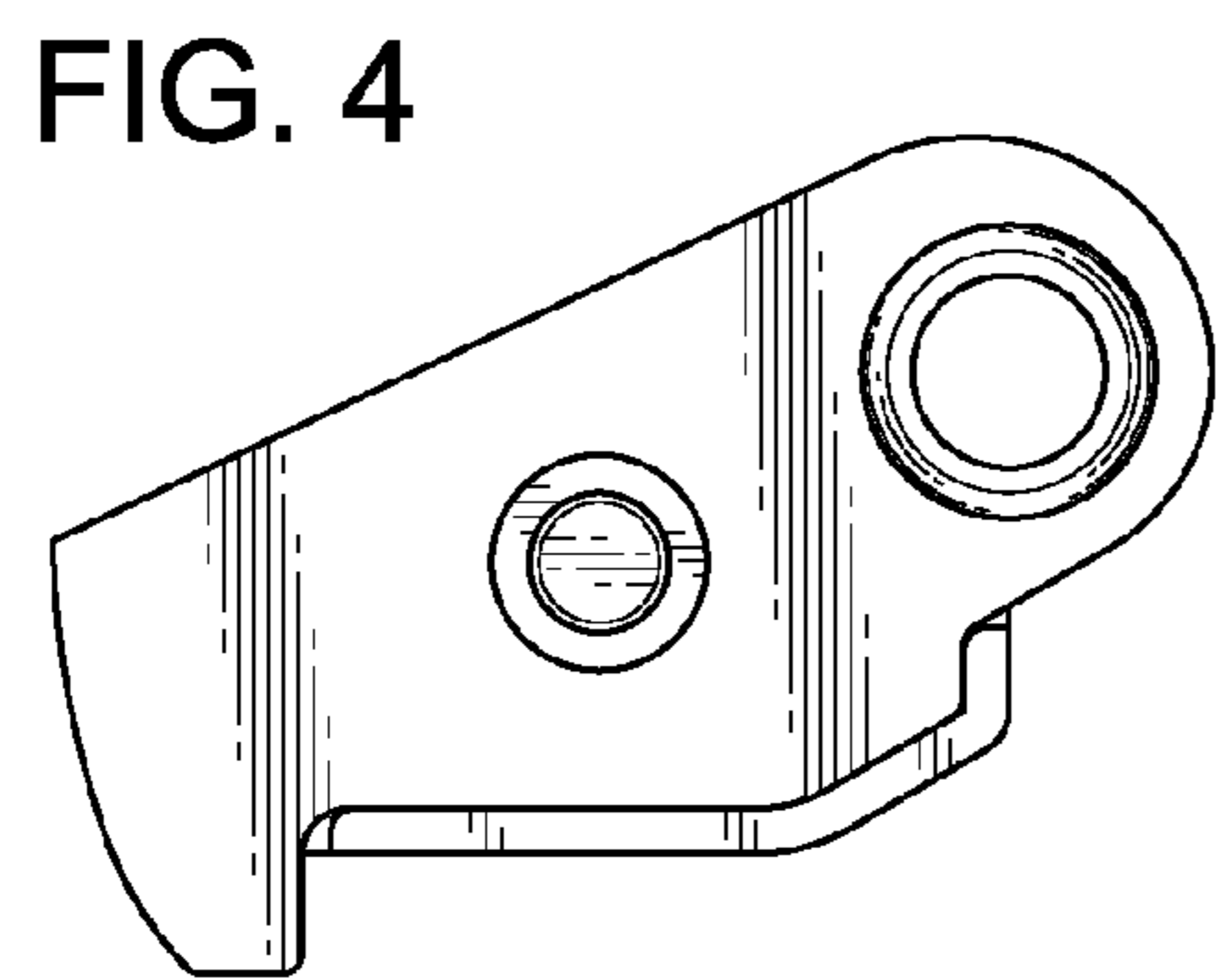
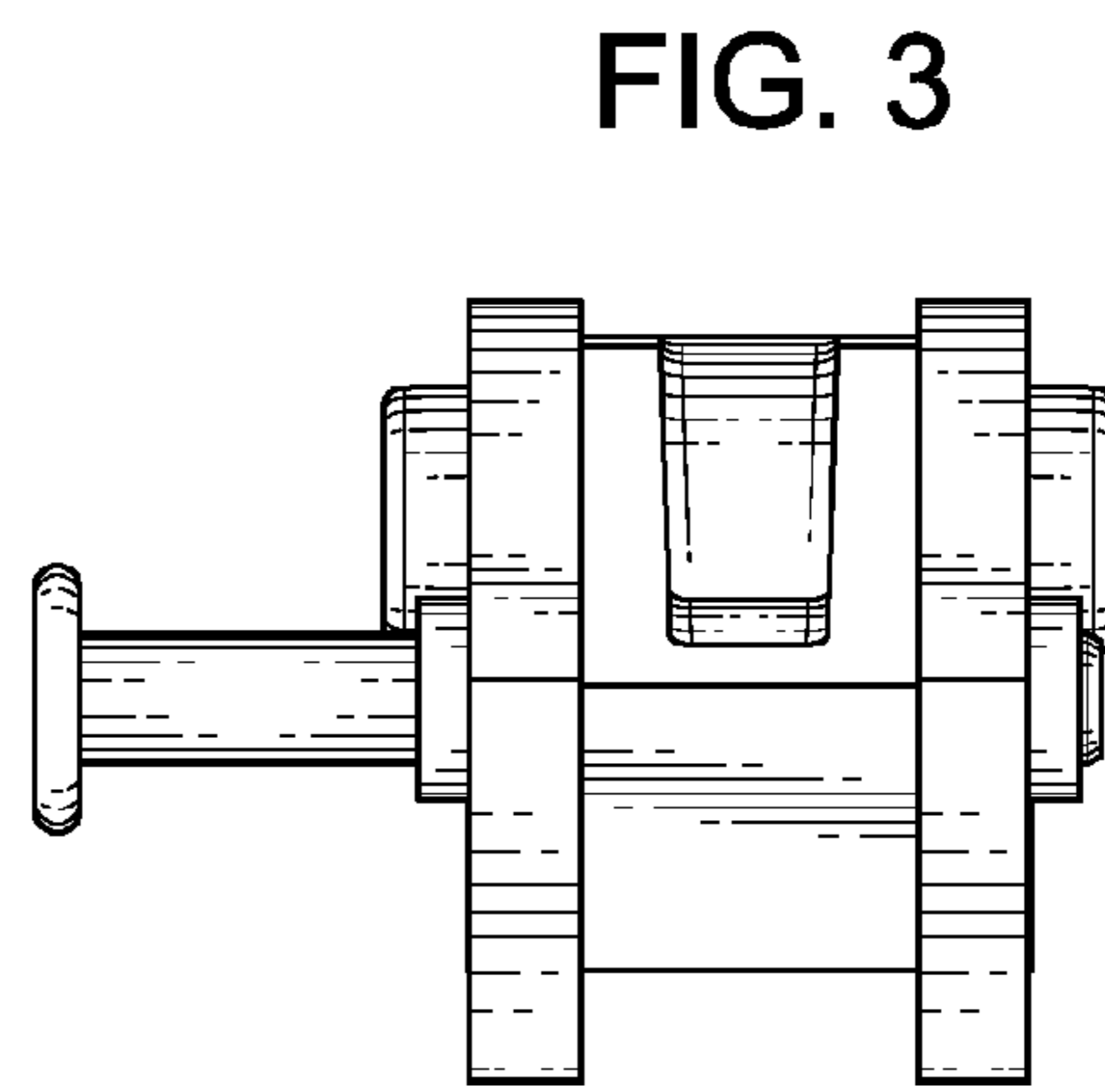
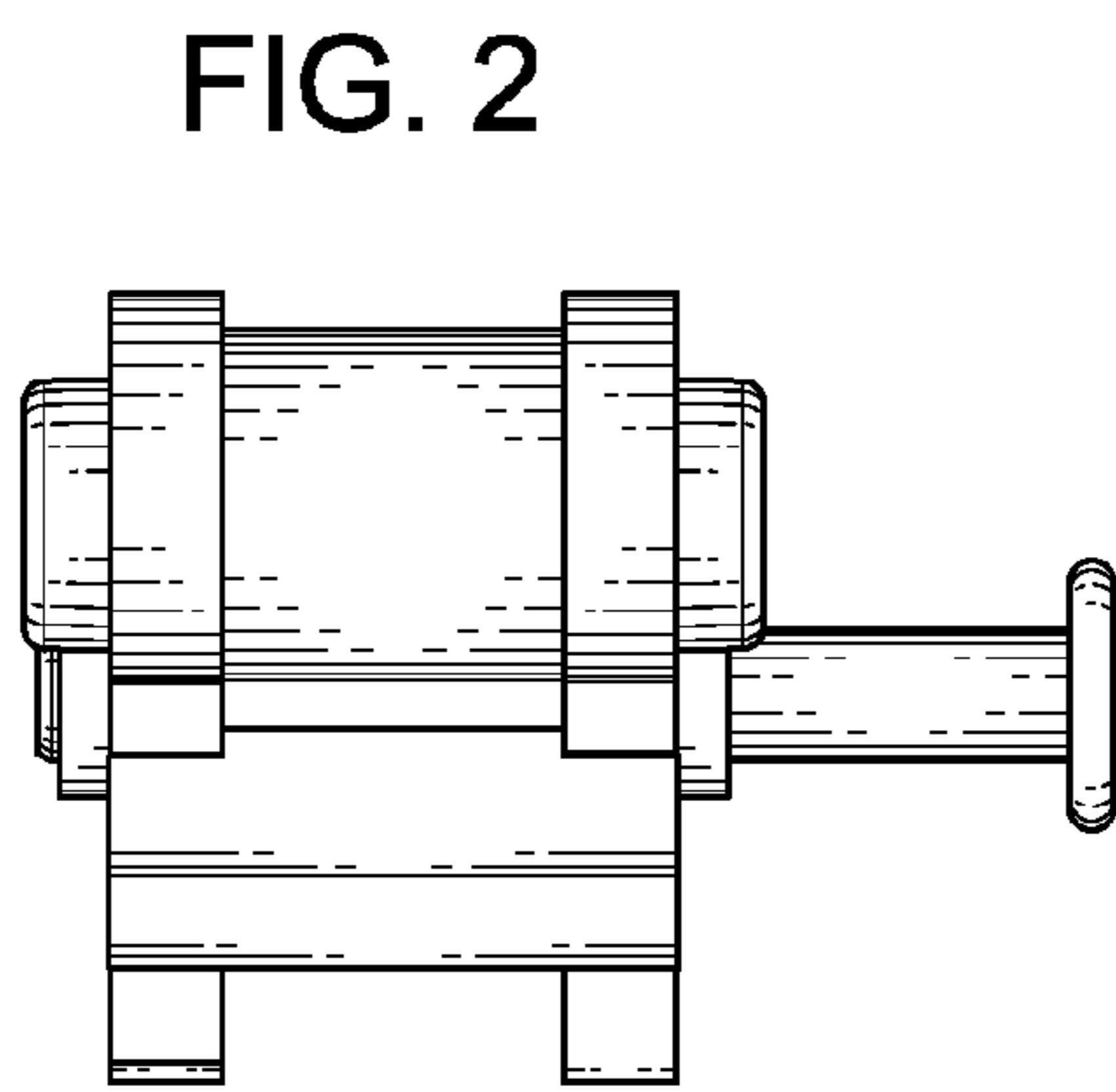
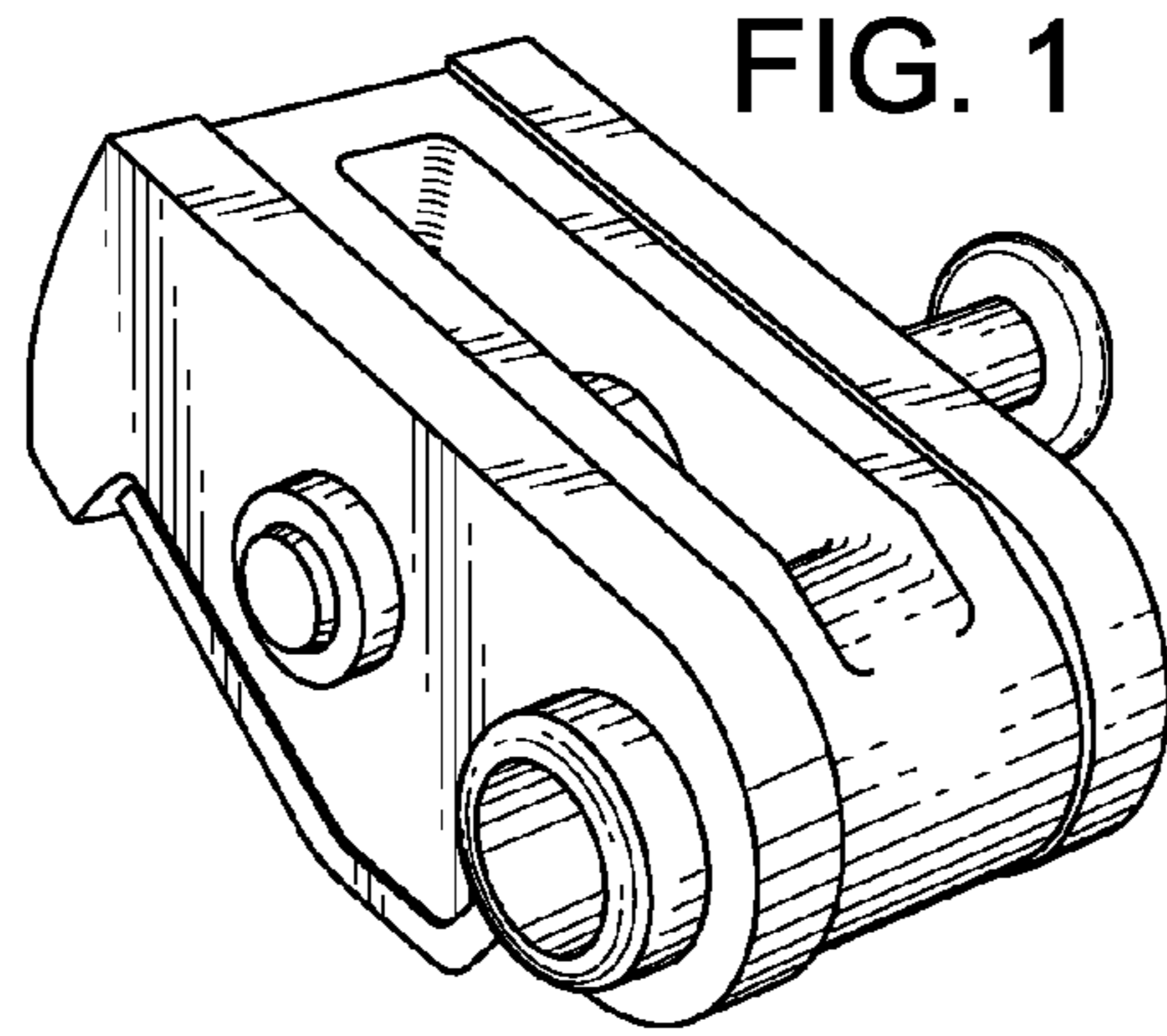


FIG. 6

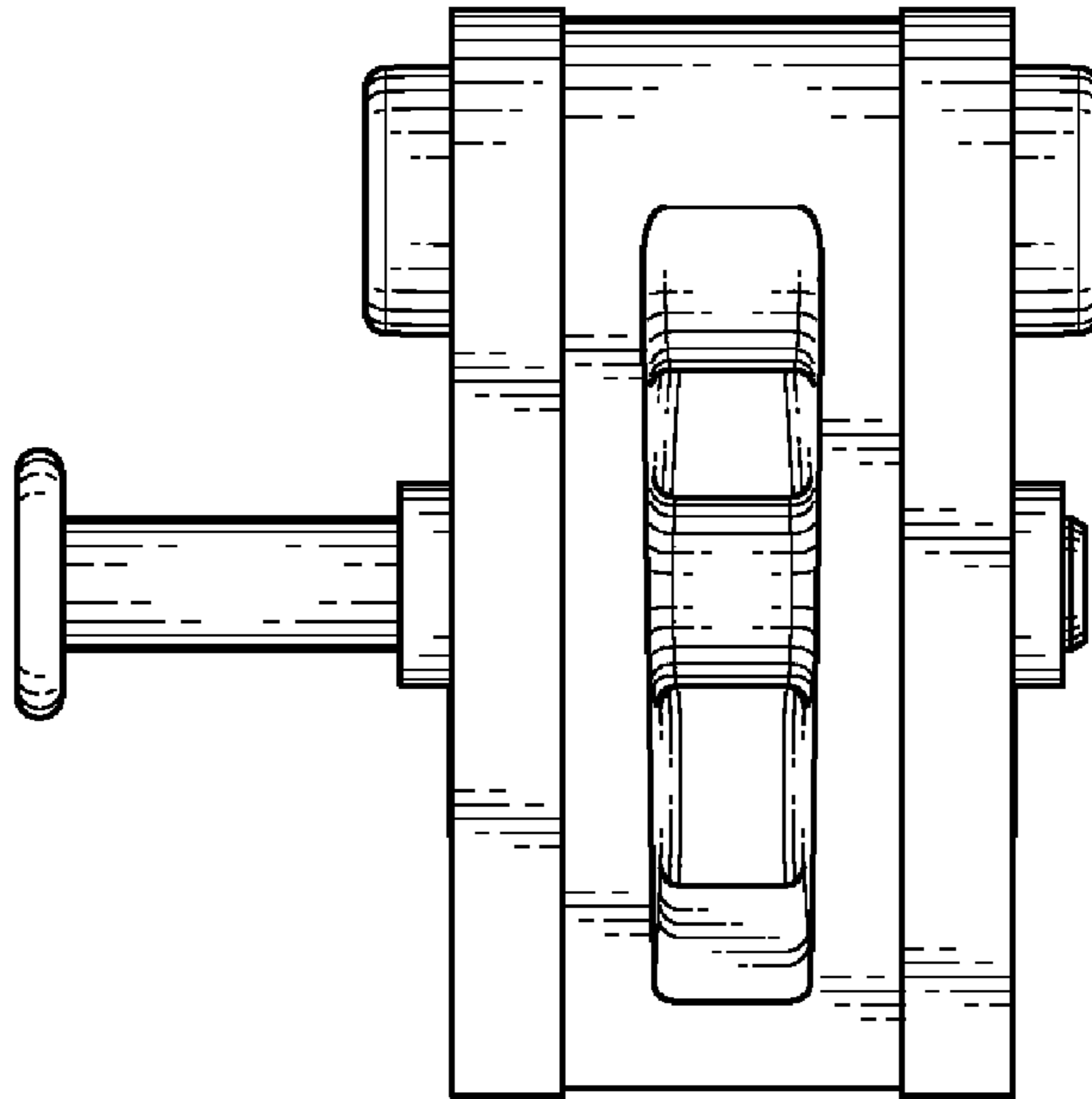
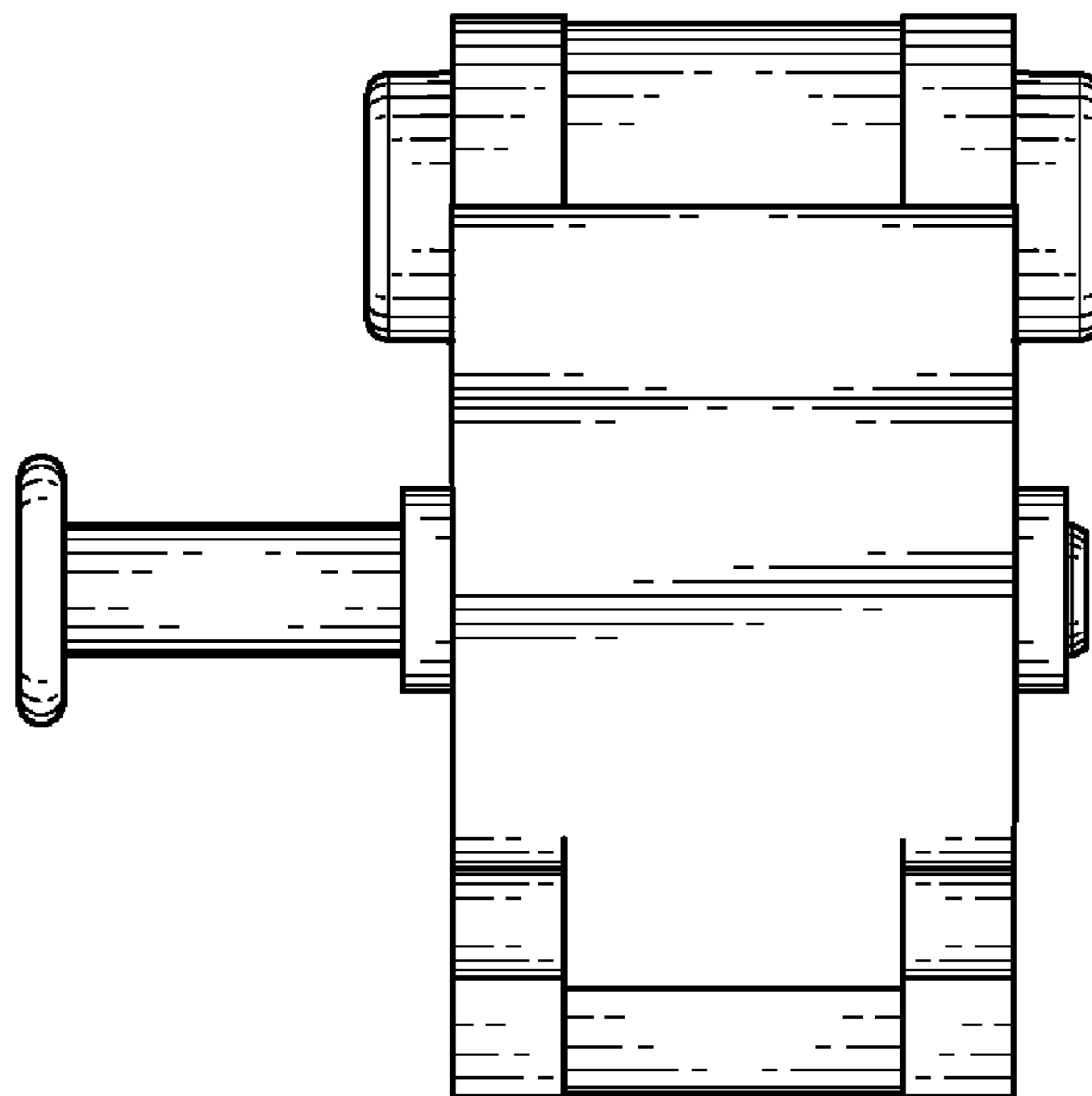


FIG. 7



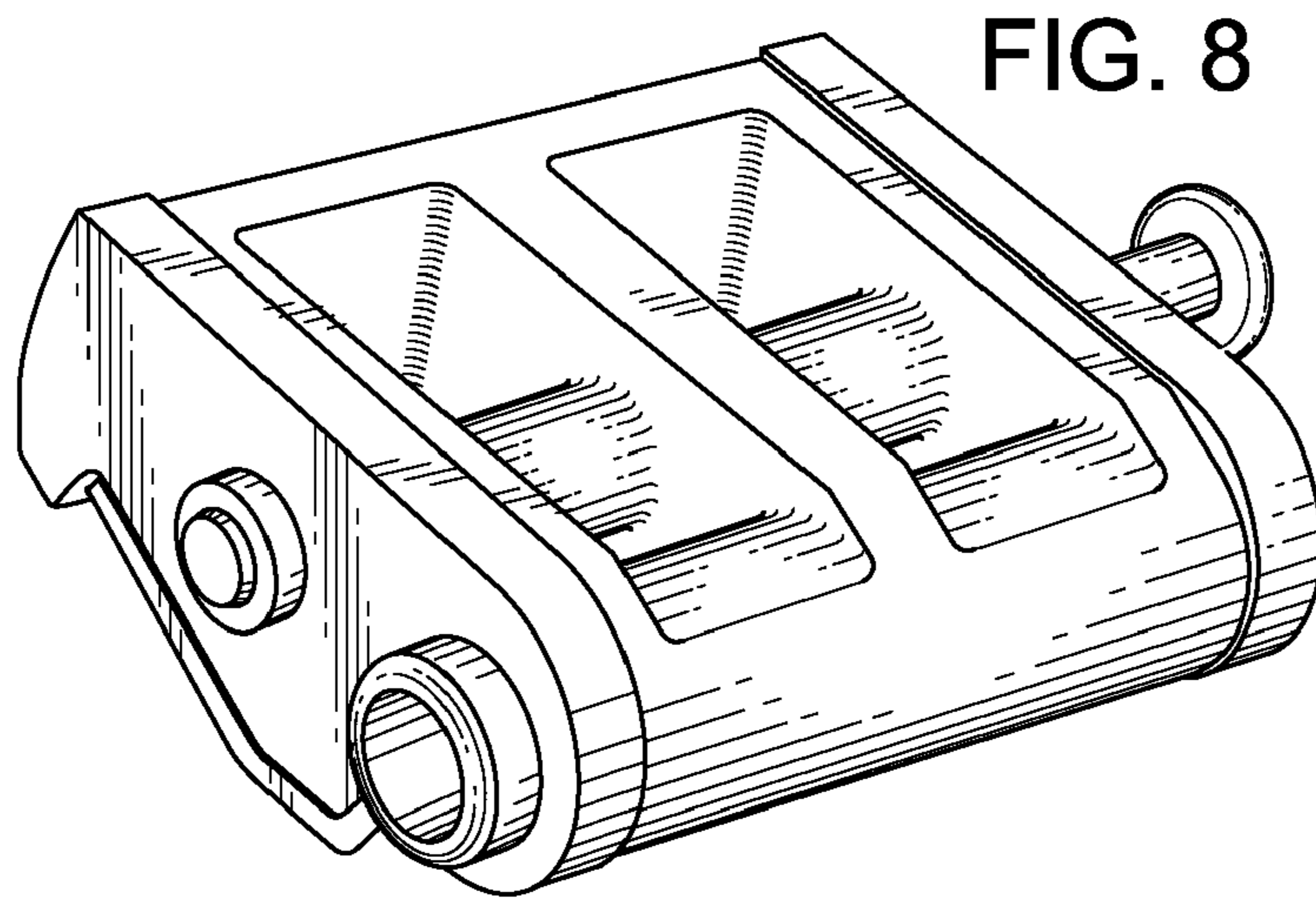


FIG. 9

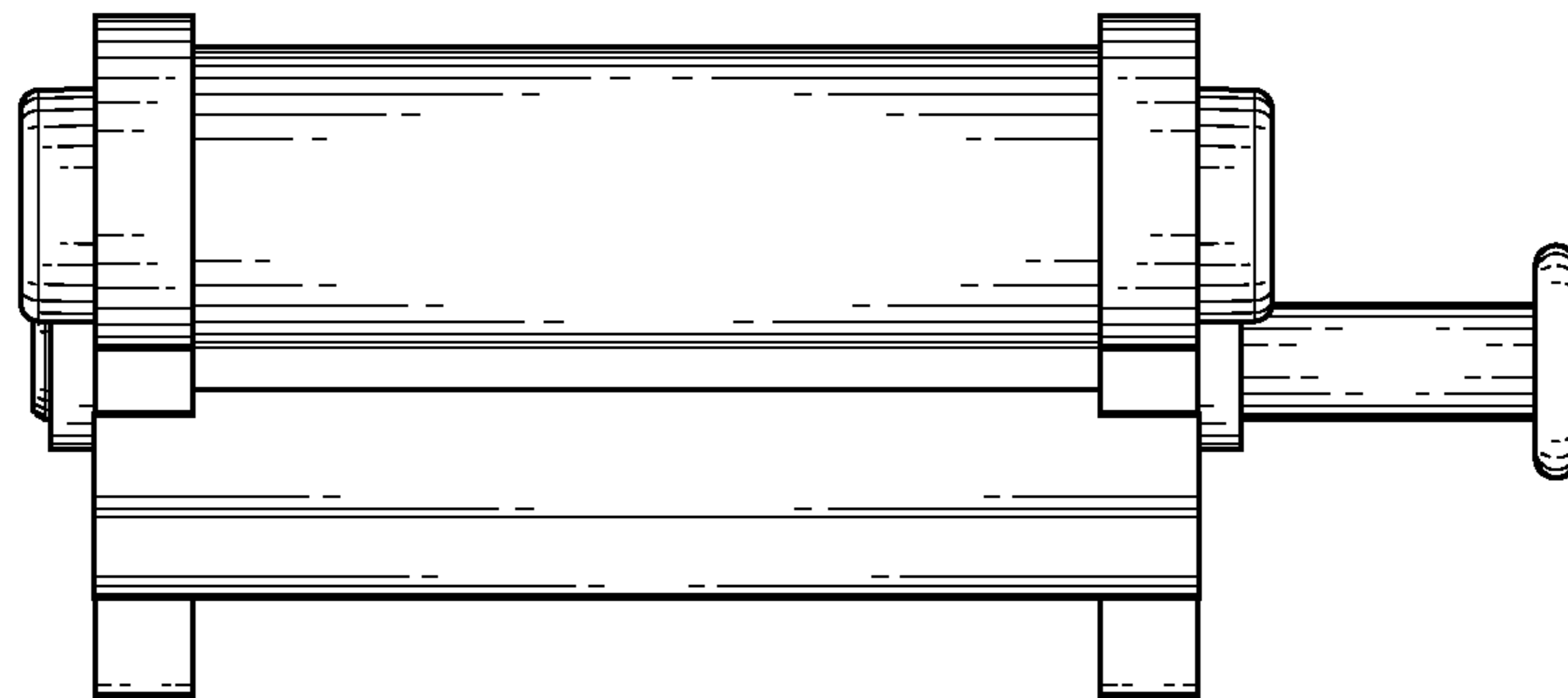


FIG. 10

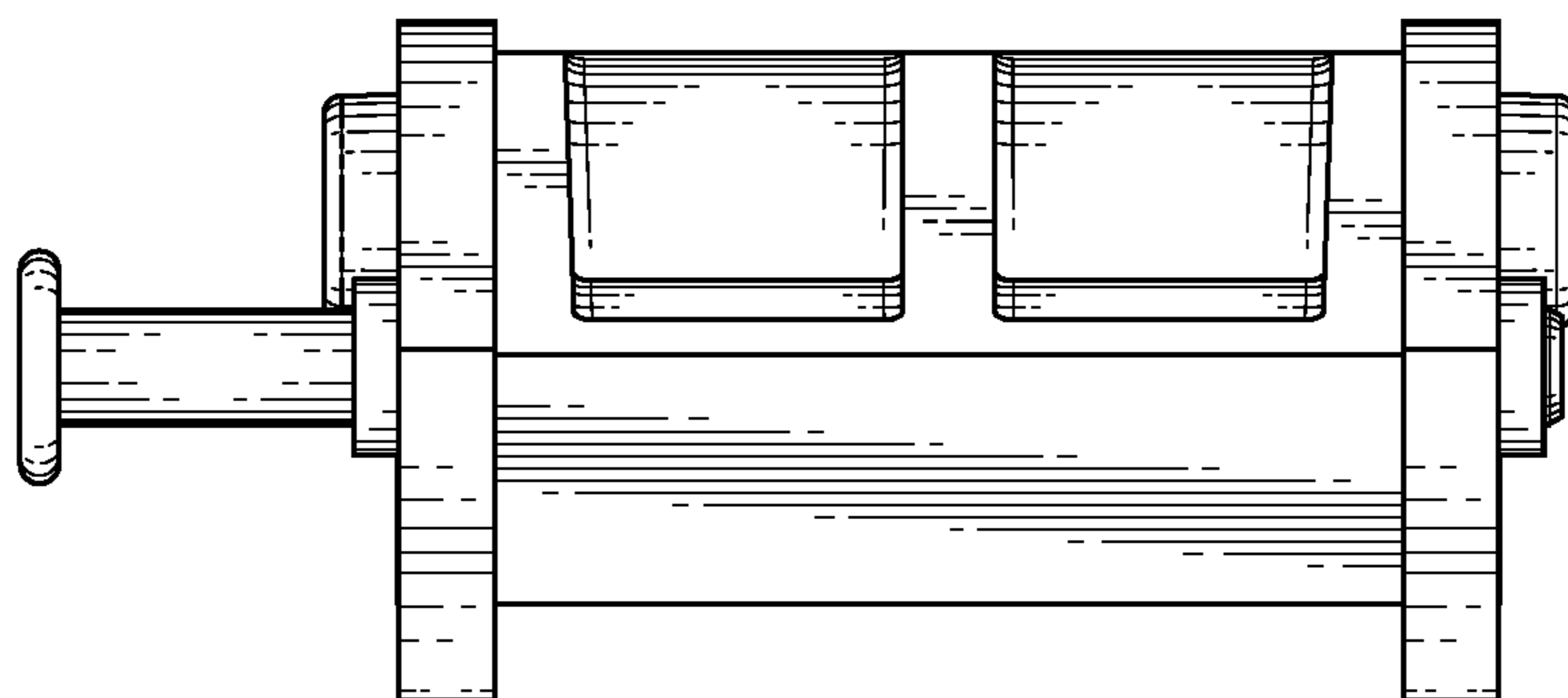


FIG. 11

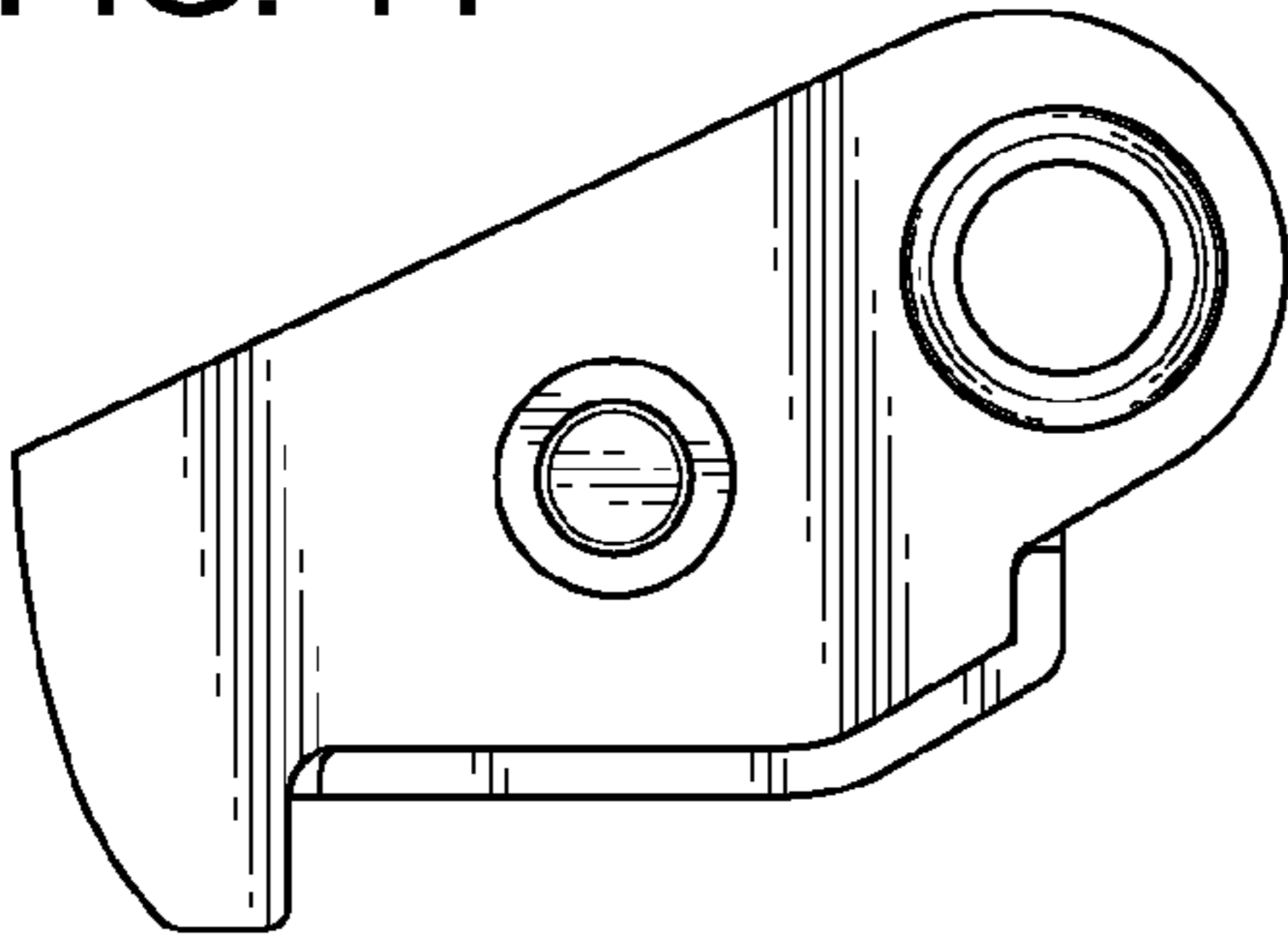


FIG. 12

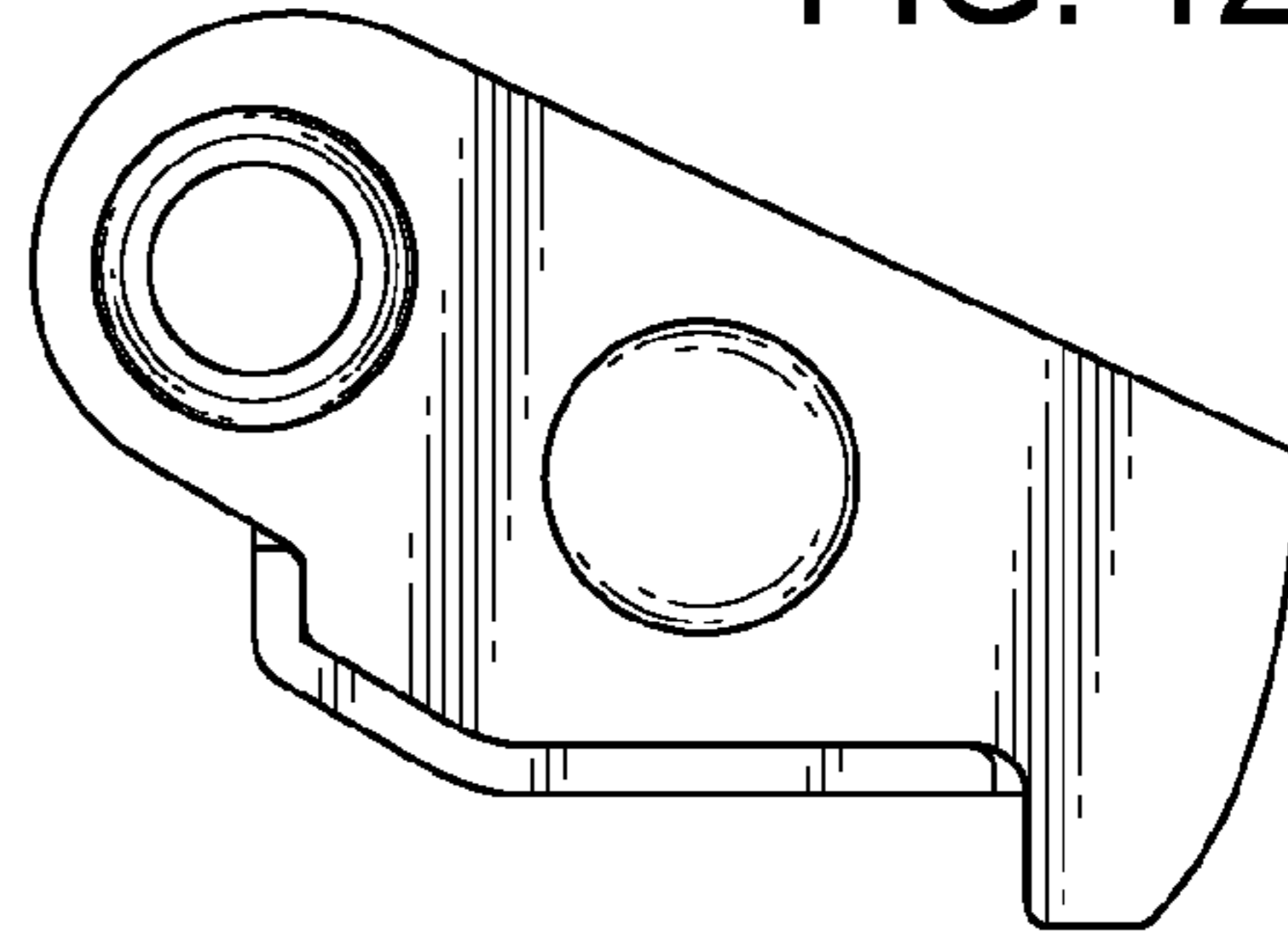


FIG. 13

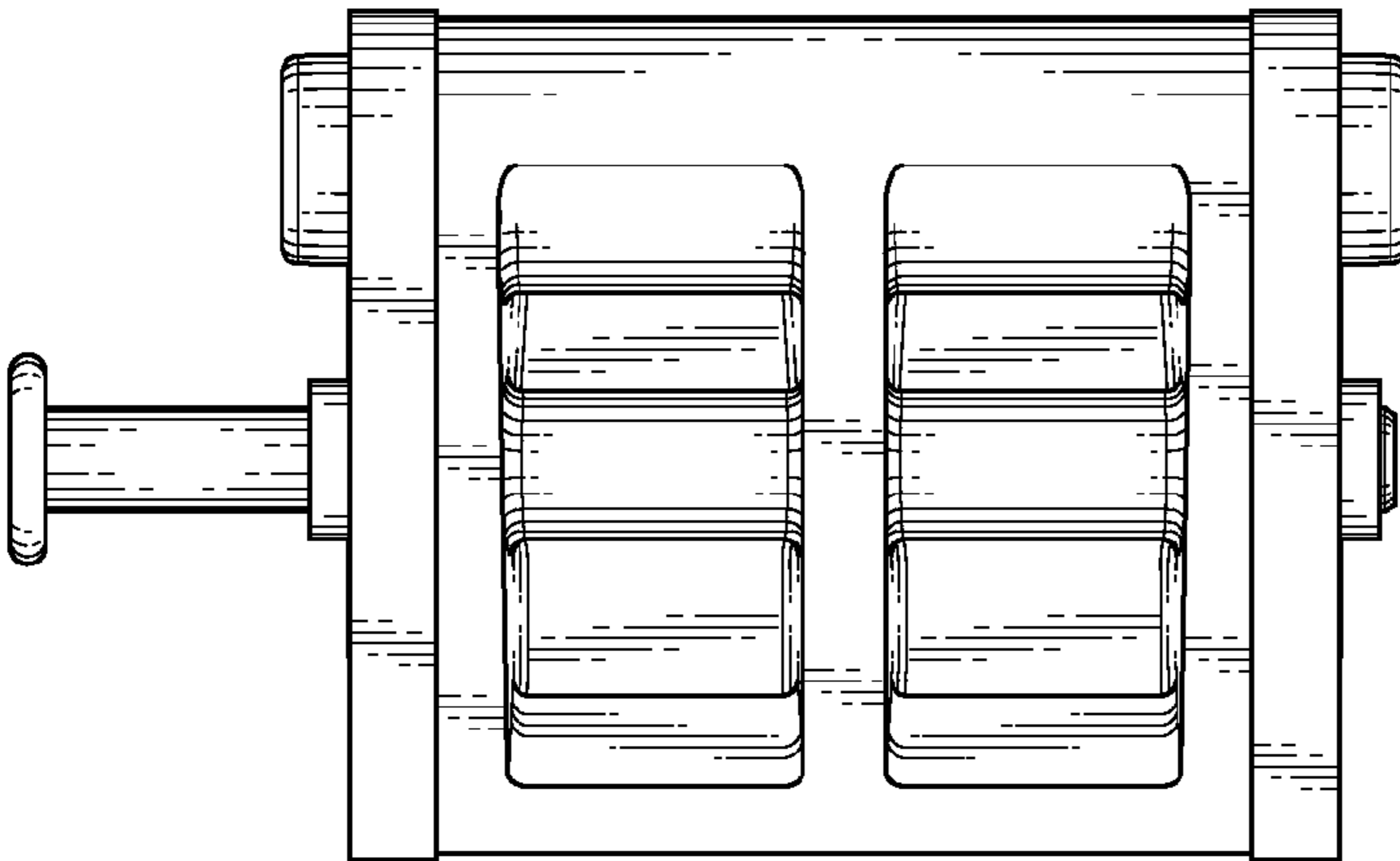


FIG. 14

